



US00D736442S

(12) **United States Design Patent**
Kovacik et al.

(10) **Patent No.:** **US D736,442 S**

(45) **Date of Patent:** **** Aug. 11, 2015**

- (54) **RECHARGEABLE LED FLOODLIGHT**
- (71) Applicant: **Alert Safety Lite Products Co., Inc.**,
Bedford Heights, OH (US)
- (72) Inventors: **James D. Kovacik**, Brecksville, OH
(US); **Paul S. Blanch**, Broadview
Heights, OH (US)
- (73) Assignee: **Alert Stamping & Manufacturing Co.,
Inc.**, Bedford Heights, OH (US)

D275,523 S *	9/1984	Ader	D26/39
4,598,344 A	7/1986	Nadler	
4,774,647 A	9/1988	Kovacik et al.	
4,929,199 A	5/1990	McKinnon	
4,958,267 A	9/1990	Baake	
5,023,764 A	6/1991	McKinnon et al.	
5,050,055 A	9/1991	Lindsay et al.	
5,115,382 A	5/1992	Smith	
5,117,345 A	5/1992	Baake	
5,195,823 A	3/1993	Sidabras	
5,243,505 A	9/1993	Carr	
5,243,507 A	9/1993	Atkins et al.	

(Continued)

(**) Term: **14 Years**

FOREIGN PATENT DOCUMENTS

- (21) Appl. No.: **29/481,453**
- (22) Filed: **Feb. 6, 2014**
- (51) **LOC (10) Cl.** **26-02**
- (52) **U.S. Cl.**
USPC **D26/37**
- (58) **Field of Classification Search**
USPC D26/37, 40, 41, 44, 46, 49; 362/157,
362/158, 183, 184, 194-196, 200-208
CPC F21L 2/00; F21L 4/00; F21L 4/005;
F21L 17/00; F21L 13/08; F21Y 2101/00;
F21V 21/30; F21V 21/406; F21W 2131/406;
F21W 2131/407

DE	19802998 A1	8/1998
DE	20317017 U1	3/2004
WO	0203761 A1	1/2002

Primary Examiner — Ian Simmons

Assistant Examiner — Carissa C Fitts

(74) *Attorney, Agent, or Firm* — Fraser Clemens Martin & Miller LLC; William J. Clemens

See application file for complete search history.

(57) **CLAIM**

The ornamental design for a rechargeable LED floodlight, as shown and described.

DESCRIPTION

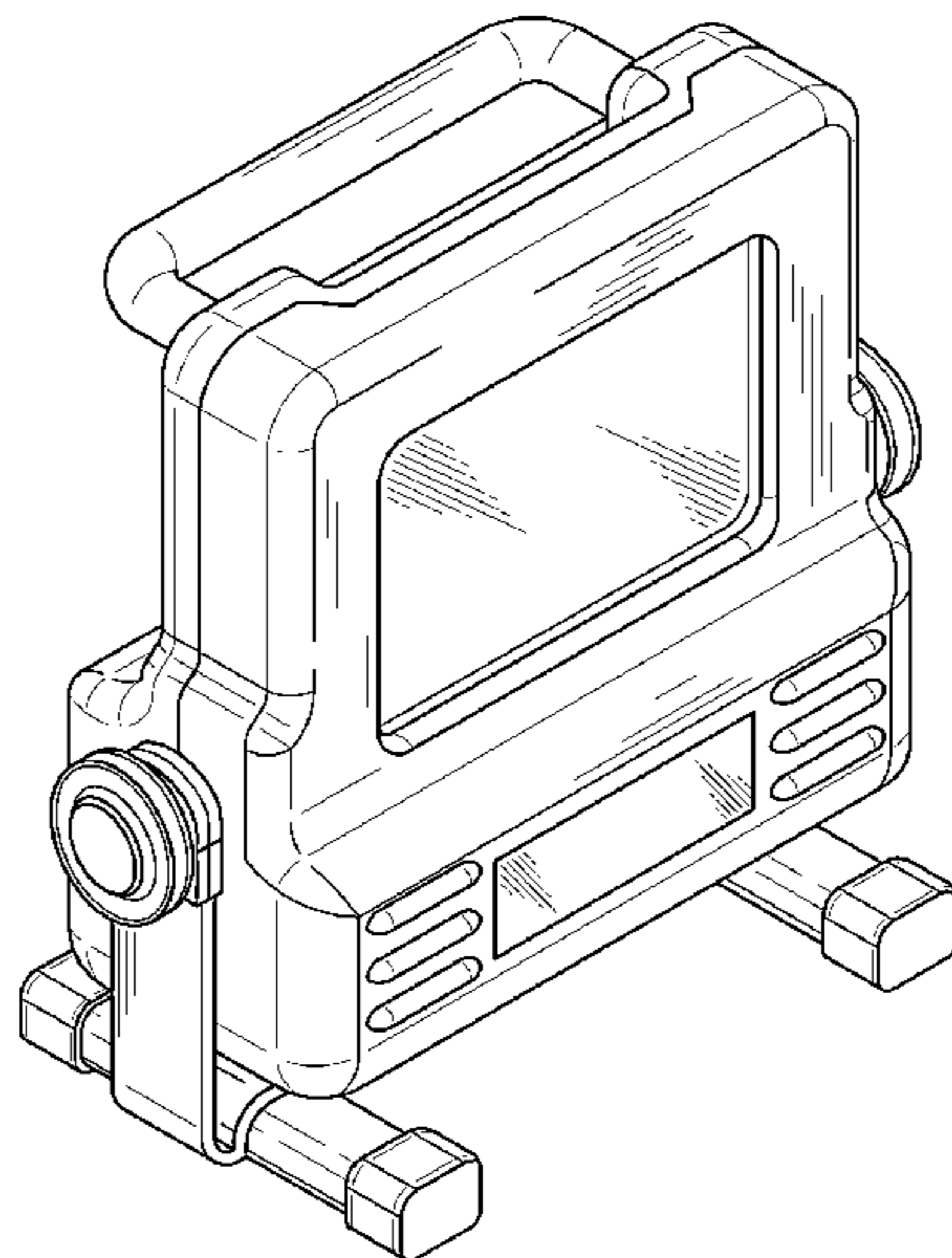
FIG. 1 is a front perspective view of rechargeable LED floodlight showing our new design;
 FIG. 2 is a front elevation view thereof;
 FIG. 3 is a rear elevation view thereof;
 FIG. 4 is a top plan view thereof;
 FIG. 5 is a bottom plan view thereof;
 FIG. 6 is a left side elevation view thereof; and,
 FIG. 7 is a right side elevation view thereof.
 The broken line showing in the drawings represents unclaimed portions of the design article and forms no part of the claimed design.

(56) **References Cited**

U.S. PATENT DOCUMENTS

D135,092 S	2/1943	Biller
2,932,018 A	4/1960	Schwartz
3,560,730 A	2/1971	Morton
D235,573 S	6/1975	Brych
4,156,893 A	5/1979	Baake
4,164,784 A	8/1979	Jaksich
4,262,327 A	4/1981	Kovacik et al.
4,432,043 A	2/1984	Yuen
4,442,984 A	4/1984	Bayat
4,463,413 A	7/1984	Shirley

1 Claim, 4 Drawing Sheets



(56)

References Cited

U.S. PATENT DOCUMENTS

5,301,093 A 4/1994 Baggio
 D348,249 S 6/1994 Hester
 5,386,358 A 1/1995 Hillinger
 D357,757 S 4/1995 Bamber et al.
 5,410,453 A 4/1995 Ruskouski
 5,436,815 A 7/1995 Grooms et al.
 5,465,196 A 11/1995 Hasenberg et al.
 5,528,477 A 6/1996 Carmo
 5,541,822 A 7/1996 Bamber
 5,700,089 A 12/1997 McKinnon
 D389,931 S 1/1998 Kovacik et al.

D462,802 S * 9/2002 Kovacik et al. D26/63
 7,152,997 B1 12/2006 Kovacik et al.
 D549,859 S * 8/2007 Kovacik et al. D26/37
 D597,693 S * 8/2009 Kauffman et al. D26/63
 D611,632 S * 3/2010 Diehl D26/50
 D612,969 S * 3/2010 Schoch et al. D26/50
 D622,879 S * 8/2010 Kotsis et al. D26/37
 D625,870 S * 10/2010 Feigenbaum D26/63
 D625,872 S * 10/2010 Leen D26/63
 D679,845 S * 4/2013 Huang D26/37
 D698,471 S * 1/2014 Poon D26/37
 D703,851 S * 4/2014 Gebhard et al. D26/48
 2006/0146523 A1 * 7/2006 Yuen 362/183

* cited by examiner

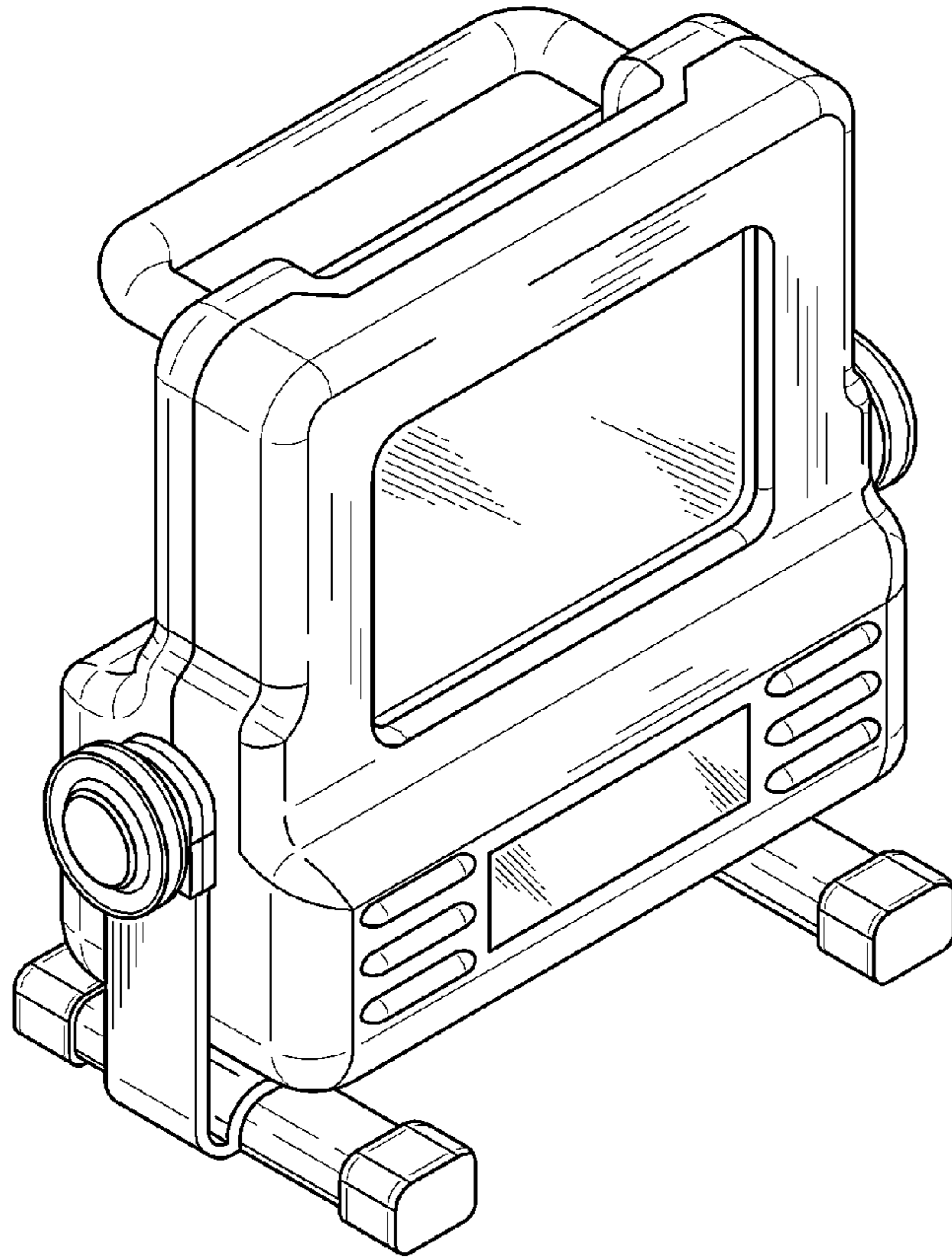


FIG. 1

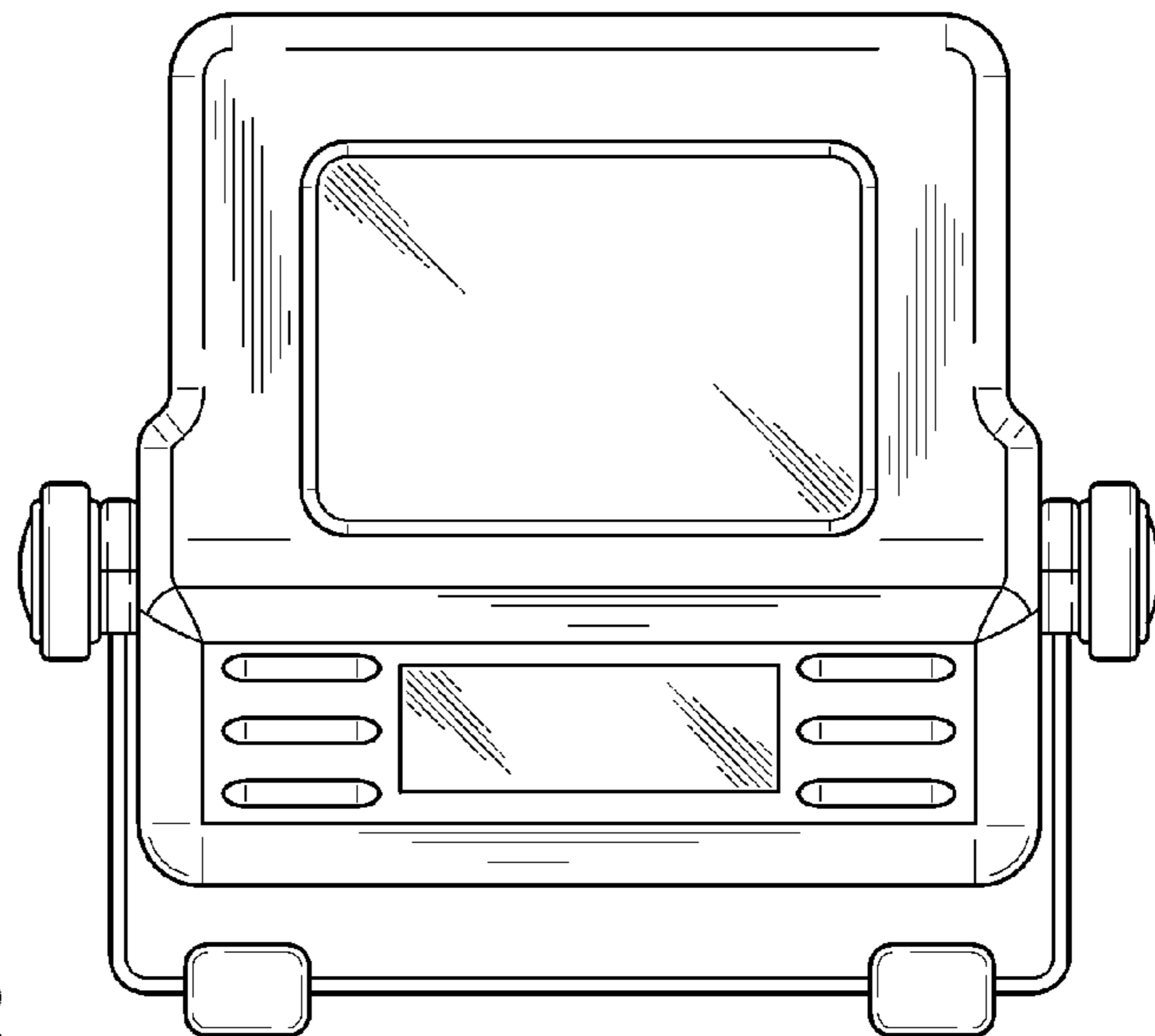


FIG. 2

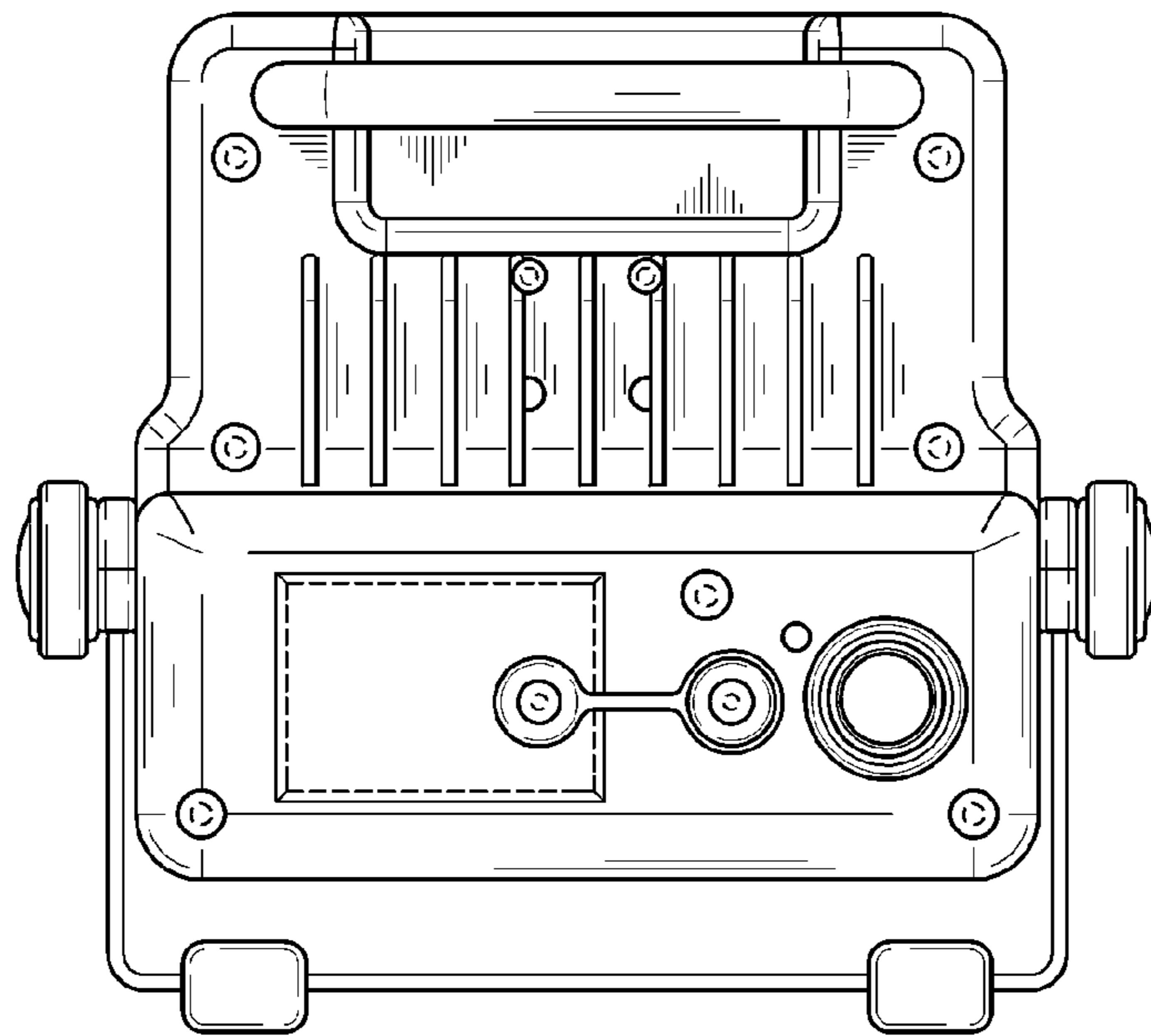


FIG. 3

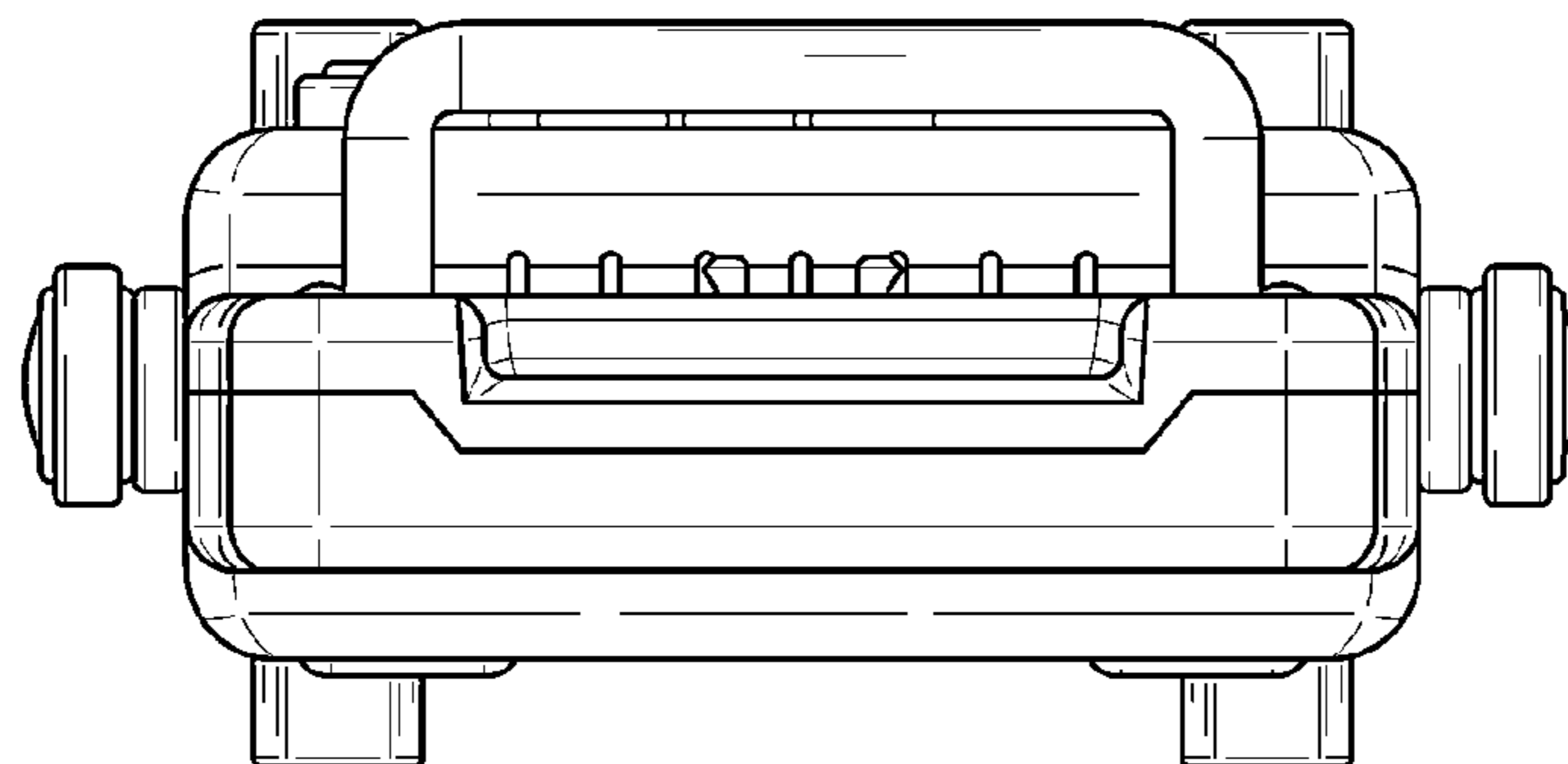


FIG. 4

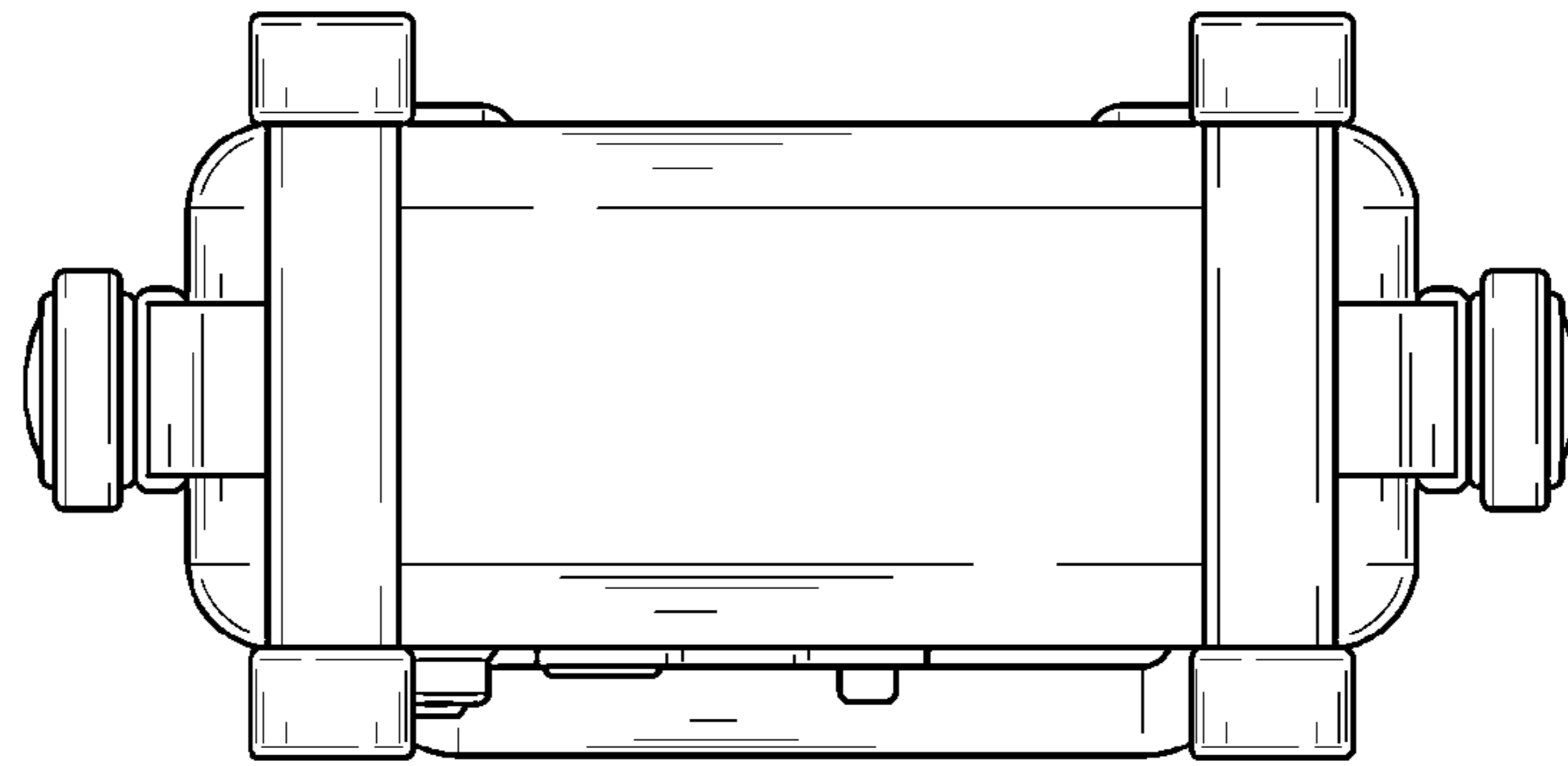


FIG. 5

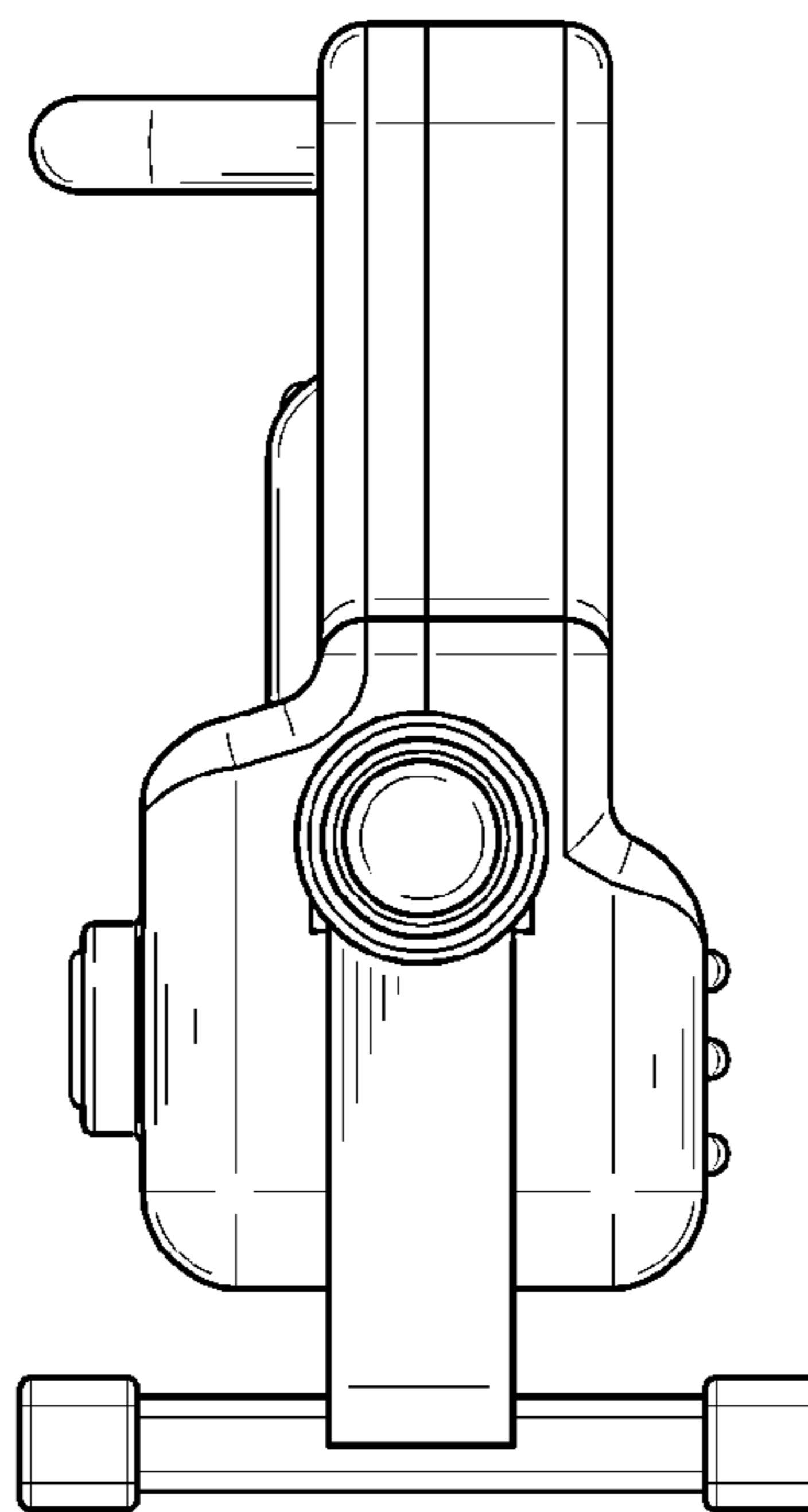


FIG. 6

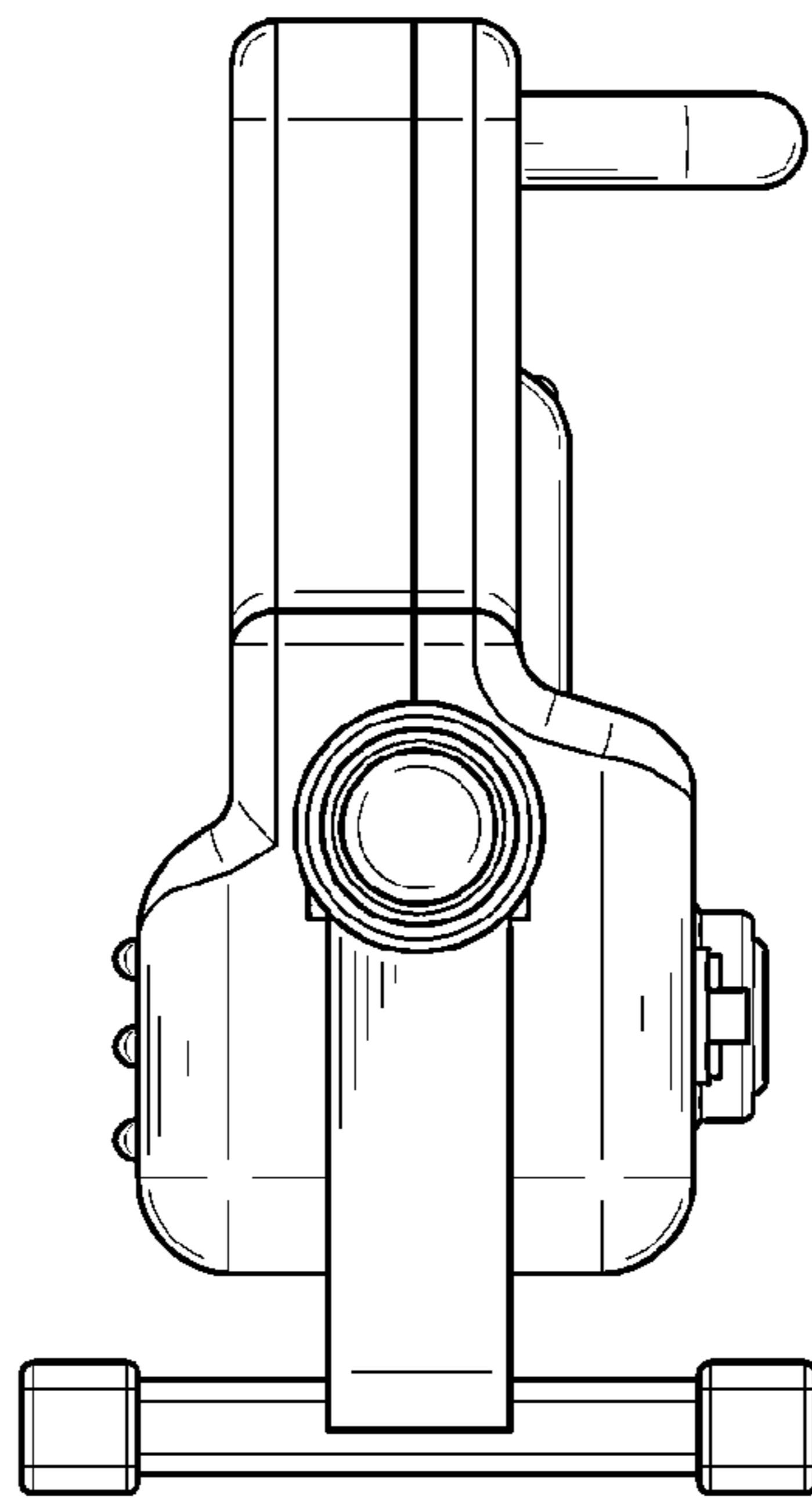


FIG. 7