



US00D736440S

(12) **United States Design Patent**
Sato et al.

(10) **Patent No.:** **US D736,440 S**

(45) **Date of Patent:** **** Aug. 11, 2015**

(54) **COMBINATION LAMP FOR AN
AUTOMOBILE**

(71) Applicants: **Shinji Sato**, Shizuoka (JP); **Shin
Miyata**, Nisshin (JP); **Yuri Kim**, Toyota
(JP)

(72) Inventors: **Shinji Sato**, Shizuoka (JP); **Shin
Miyata**, Nisshin (JP); **Yuri Kim**, Toyota
(JP)

(73) Assignee: **Toyota Jidosha Kabushiki Kaisha** (JP)

(**) Term: **14 Years**

(21) Appl. No.: **29/482,956**

(22) Filed: **Feb. 24, 2014**

(30) **Foreign Application Priority Data**

Sep. 2, 2013 (JP) 2013-020188

(51) **LOC (10) Cl.** **26-06**

(52) **U.S. Cl.**
USPC **D26/28**

(58) **Field of Classification Search**
USPC D26/28-36, 139
CPC F21S 48/10; F21S 48/115; F21S 48/145;
F21S 48/1109; F21S 48/1168; F21S 48/1186
See application file for complete search history.

(56) **References Cited**

U.S. PATENT DOCUMENTS

D674,932 S * 1/2013 Kawano et al. D26/28
D674,940 S * 1/2013 Lai D26/28
D678,567 S * 3/2013 Lai D26/28
D695,936 S * 12/2013 Ishizuka et al. D26/28

D705,466 S * 5/2014 Wada D26/28
D706,471 S * 6/2014 Lai D26/28
D708,767 S * 7/2014 Minaminsawa et al. D26/28
D709,631 S * 7/2014 Sato D26/28
D715,978 S * 10/2014 Loeb D26/28
D715,981 S * 10/2014 Moon et al. D26/28
D721,196 S * 1/2015 Lai D26/28

OTHER PUBLICATIONS

Lexus, Lexus GS 250 (2013), netcarshow.com <http://www.netcarshow.com/lexus/2013-gs_250/800x600/wallpaper_15.htm>, available at least as early as May 31, 2013.

Audi, Audi A5 Coupe (2012), netcarshow.com <http://www.netcarshow.com/audi/2012-a5_coupe/04.htm>, available at least as early as May 31, 2013.

* cited by examiner

Primary Examiner — Clare E Heflin

(74) *Attorney, Agent, or Firm* — Saidman DesignLaw Group, LLC

(57) **CLAIM**

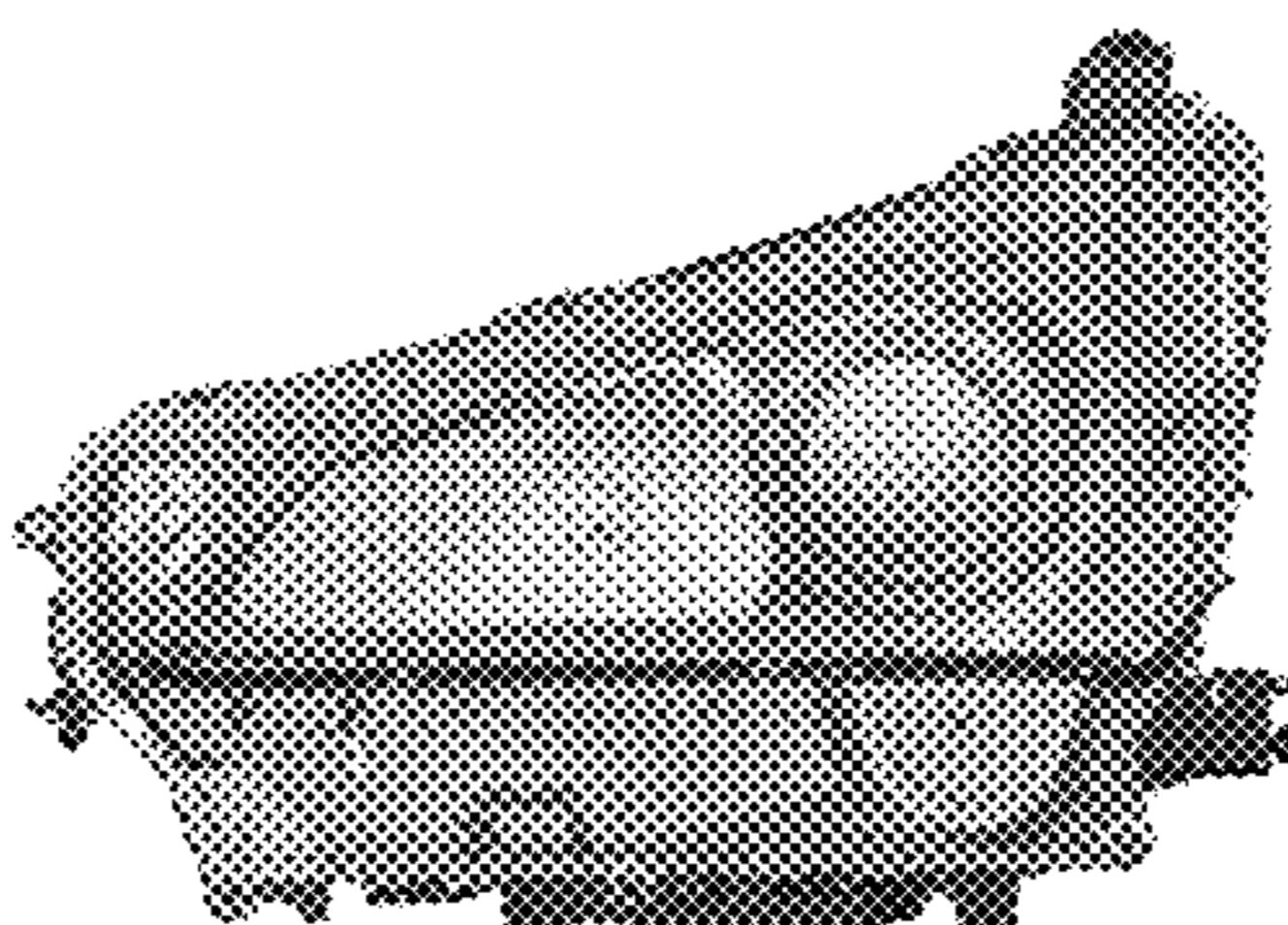
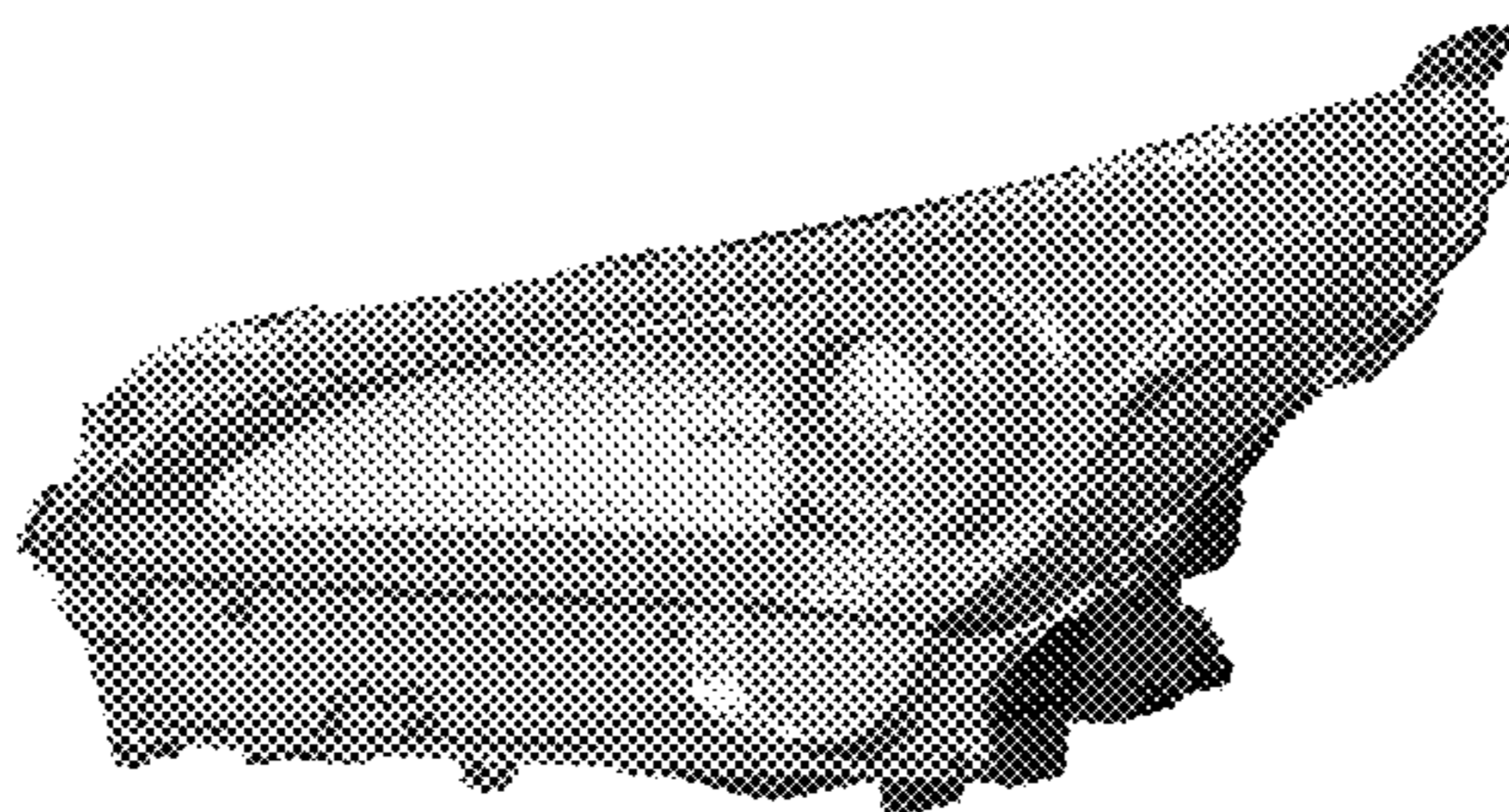
The ornamental design for a combination lamp for an automobile, as shown and described.

DESCRIPTION

FIG. 1 is a perspective view of a combination lamp for an automobile showing our new design;
FIG. 2 is a front view thereof;
FIG. 3 is a rear view thereof;
FIG. 4 is a top view thereof;
FIG. 5 is a bottom view thereof;
FIG. 6 is a left side view thereof; and,
FIG. 7 is a right side view thereof.

The drawings include shadows and reflections which indicate contour, not surface ornamentation.

1 Claim, 3 Drawing Sheets



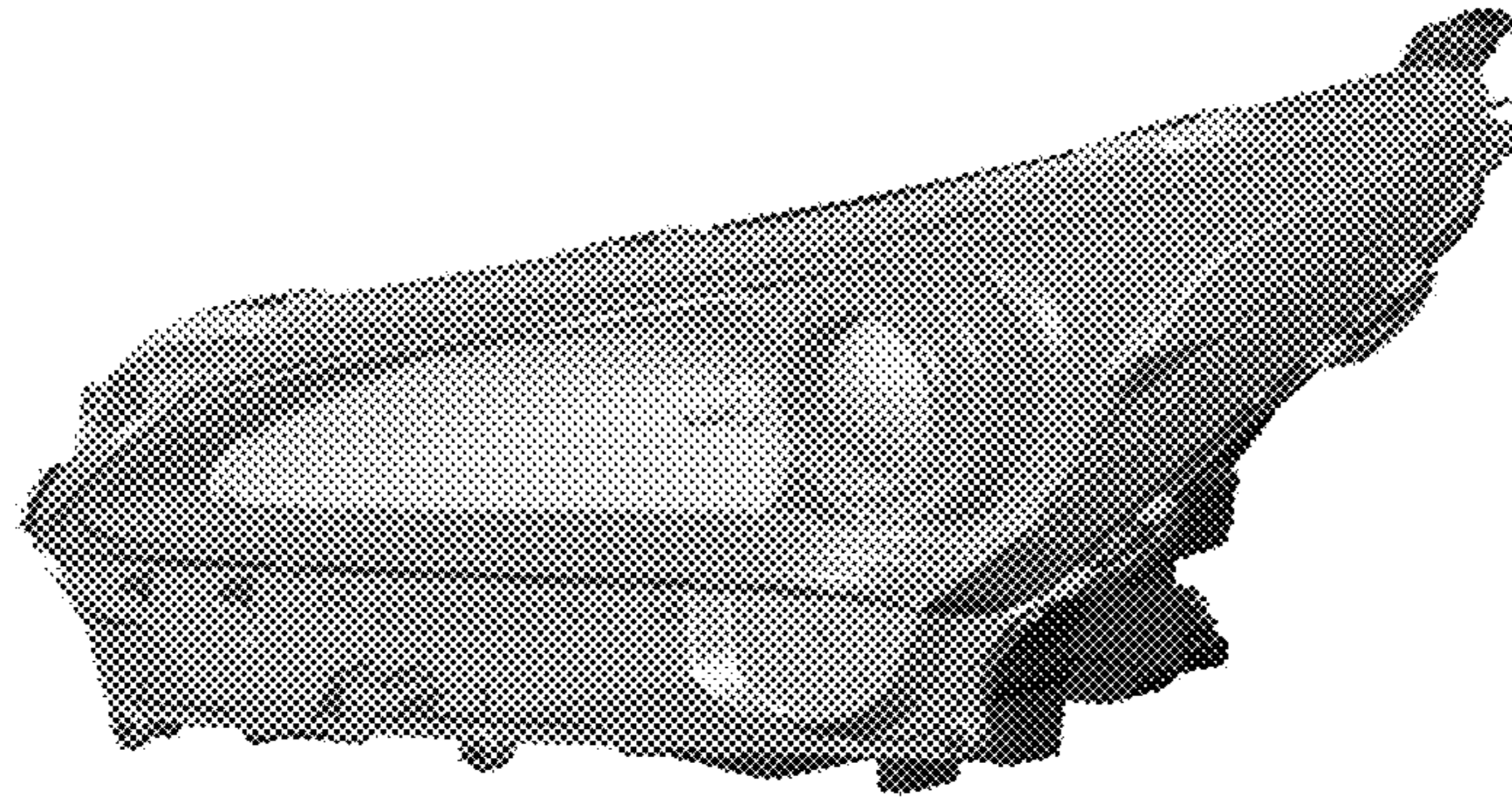


Fig. 1

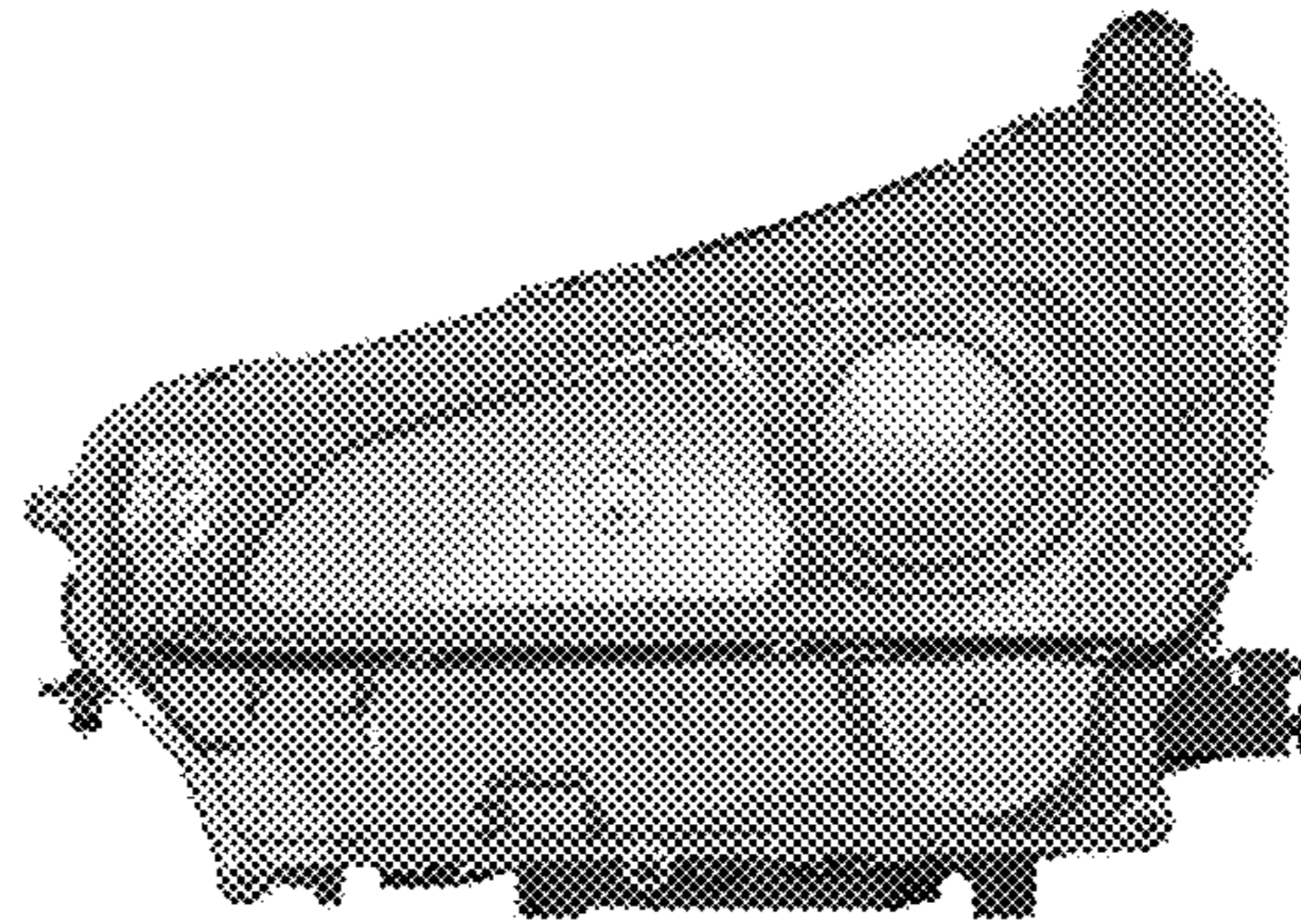


Fig. 2

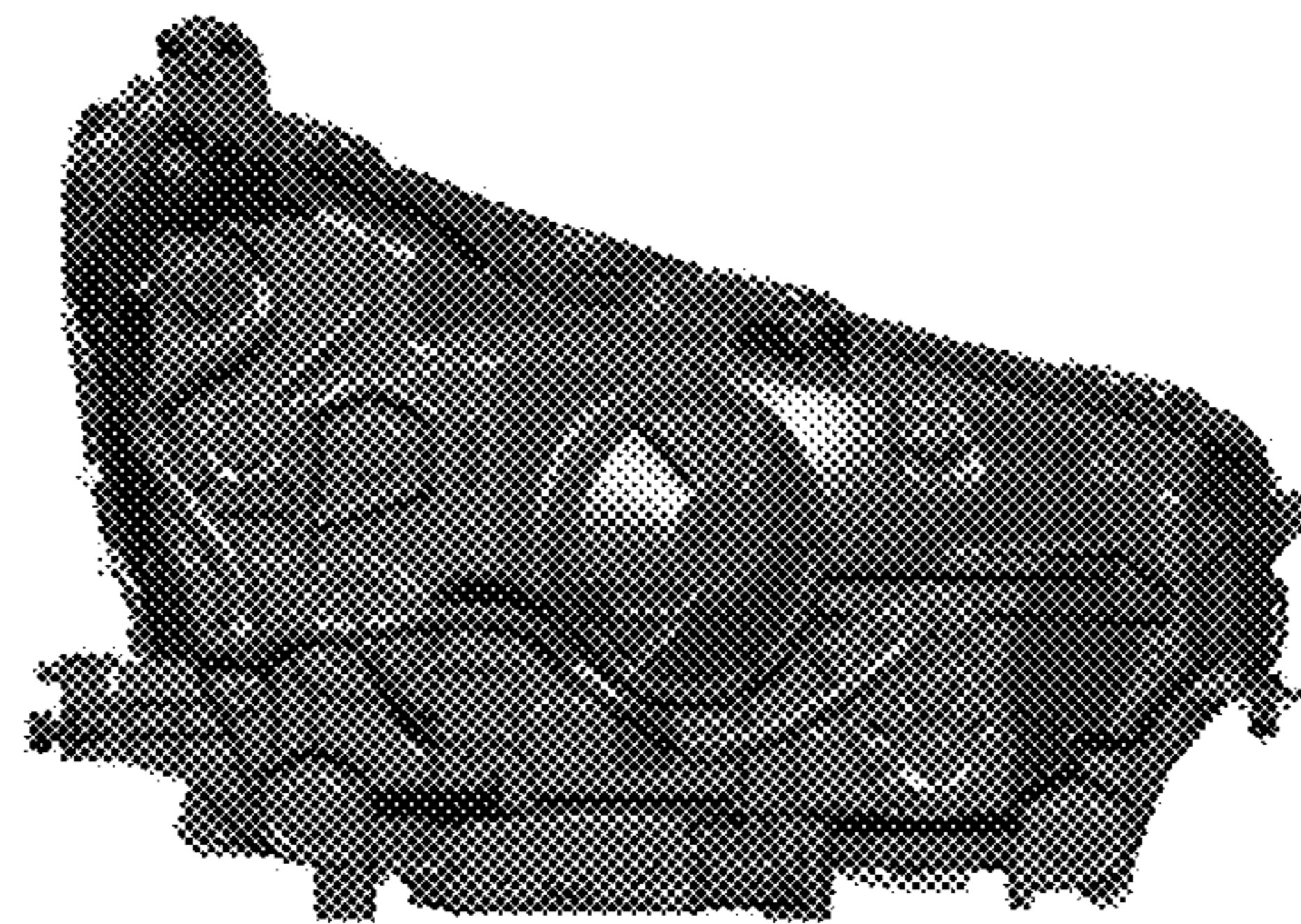


Fig. 3

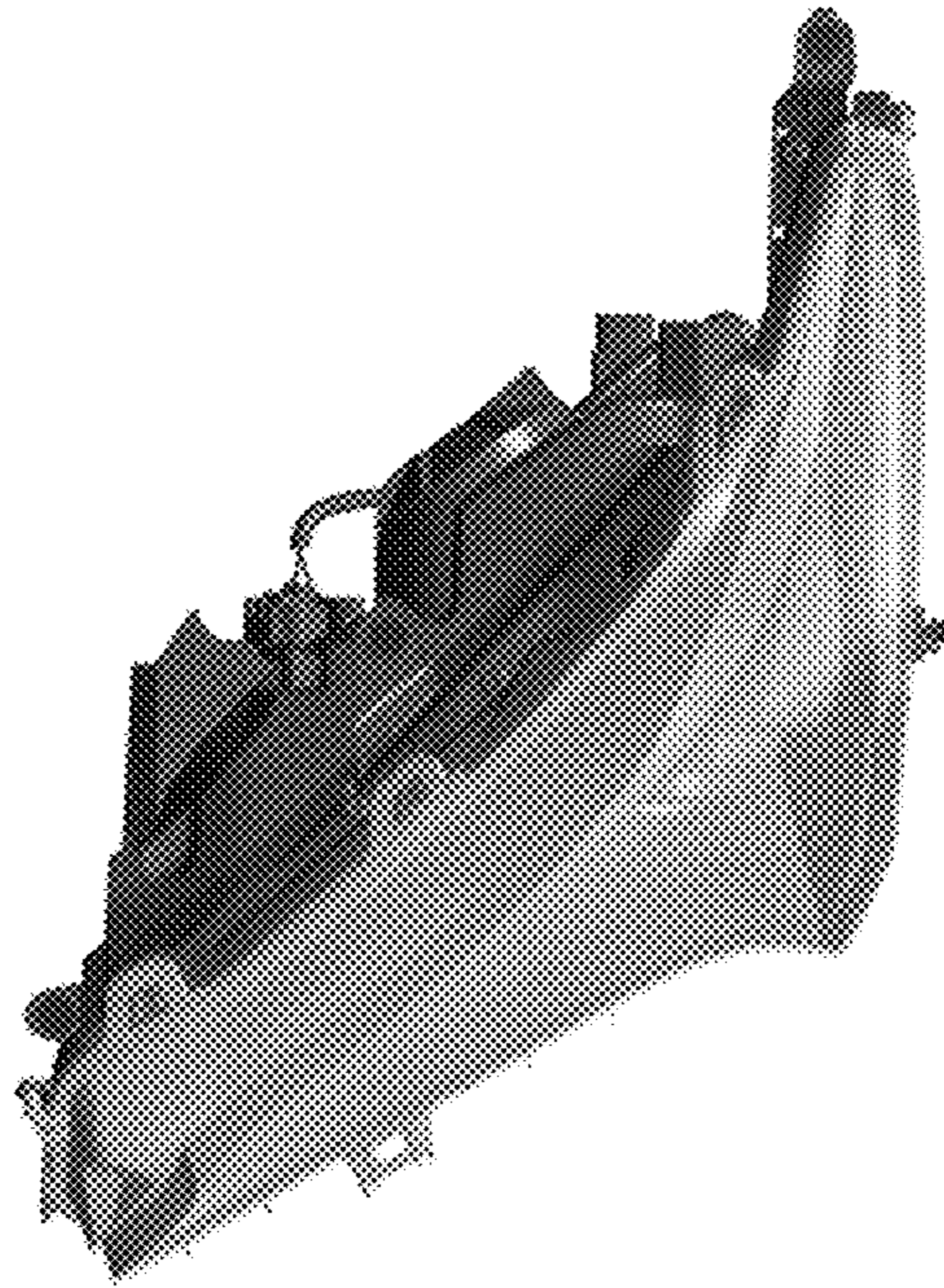


Fig. 4

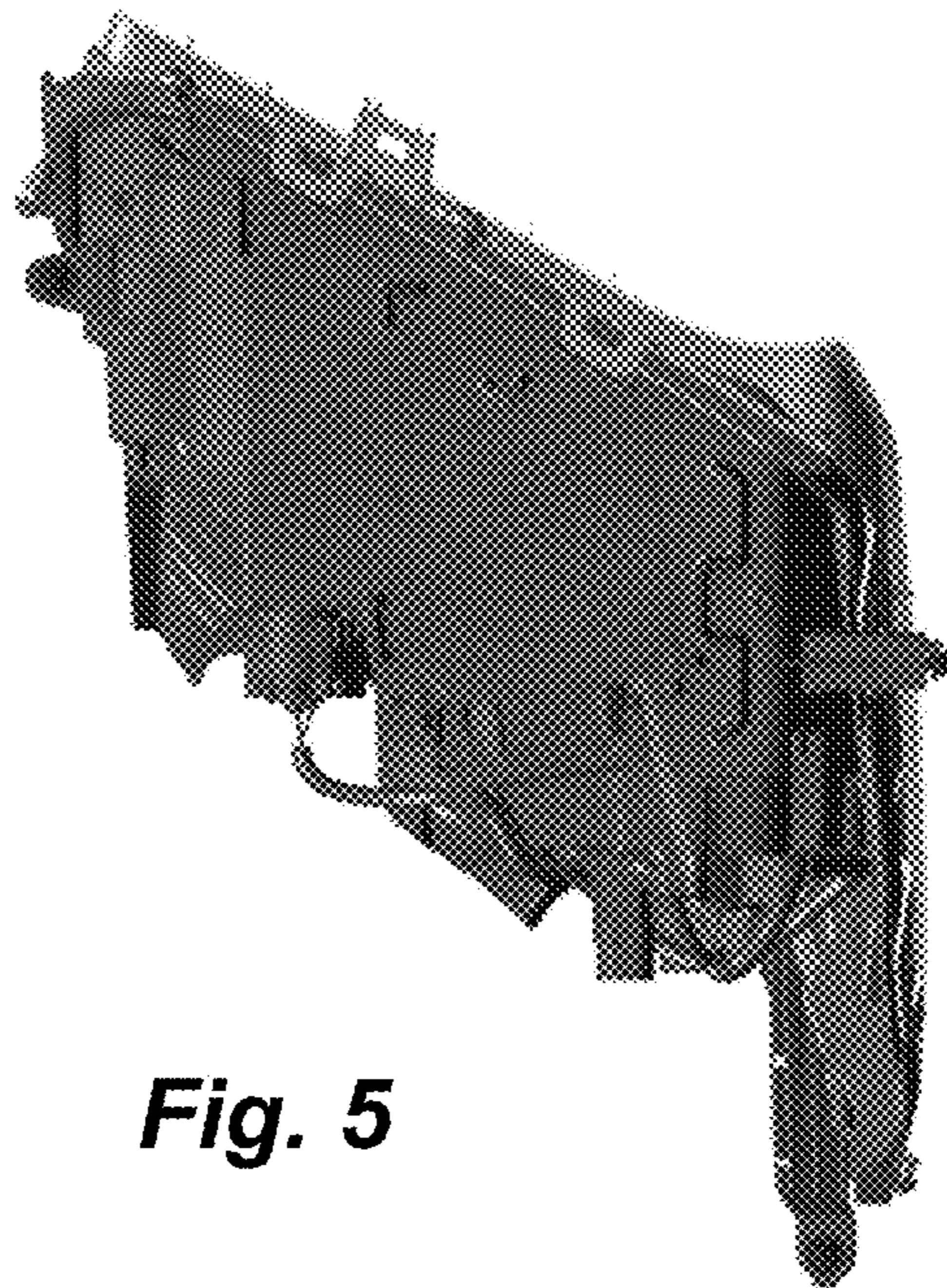


Fig. 5

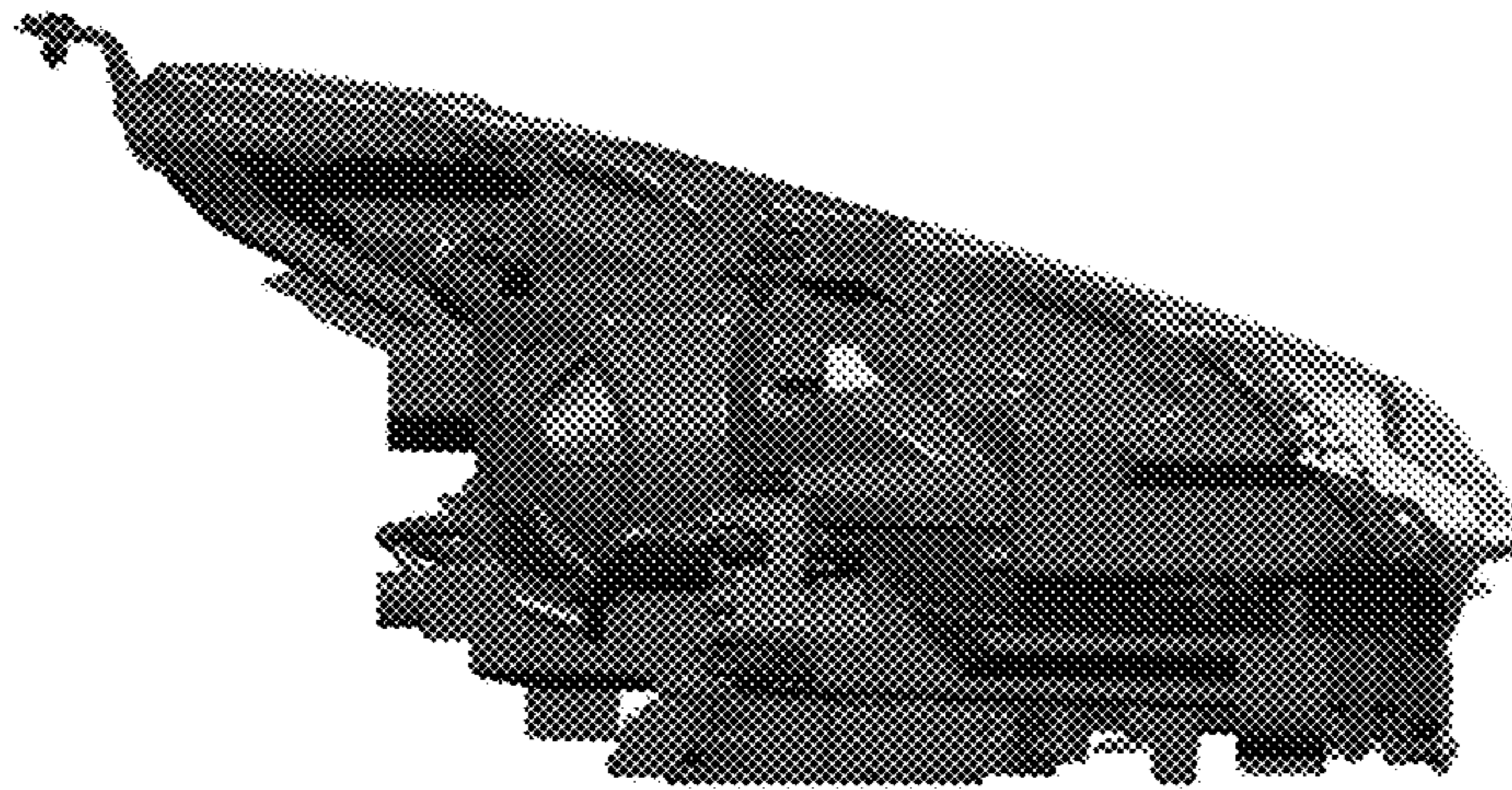


Fig. 6

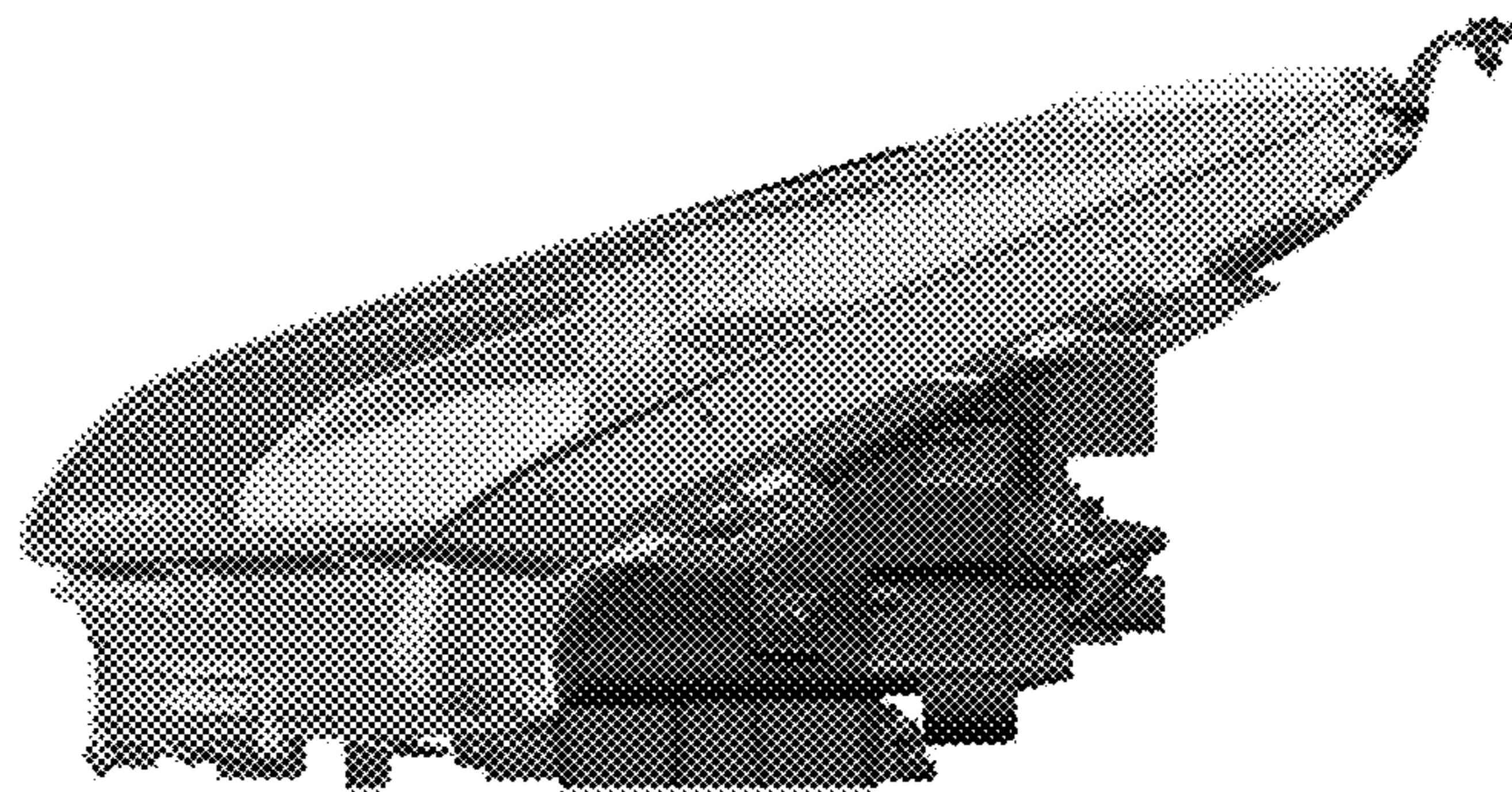


Fig. 7