



US00D736439S

(12) **United States Design Patent**  
**Kamiura et al.**

(10) **Patent No.:** **US D736,439 S**  
(45) **Date of Patent:** **\*\* Aug. 11, 2015**

- (54) **COMBINATION LAMP FOR AN AUTOMOBILE**
- (71) Applicants: **Shin Kamiura**, Toyota (JP); **Nobuyuki Tomatsu**, Nagoya (JP); **Akane Kobayashi**, Okazaki (JP)
- (72) Inventors: **Shin Kamiura**, Toyota (JP); **Nobuyuki Tomatsu**, Nagoya (JP); **Akane Kobayashi**, Okazaki (JP)
- (73) Assignee: **Toyota Jidosha Kabushiki Kaisha** (JP)
- (\*\*) Term: **14 Years**
- (21) Appl. No.: **29/482,952**
- (22) Filed: **Feb. 24, 2014**
- (30) **Foreign Application Priority Data**  
Sep. 2, 2013 (JP) ..... 2013-020192
- (51) **LOC (10) Cl.** ..... **26-06**
- (52) **U.S. Cl.**  
USPC ..... **D26/28**
- (58) **Field of Classification Search**  
USPC ..... D26/28-36, 139  
CPC ..... F21S 48/10; F21S 48/115; F21S 48/145;  
F21S 48/1109; F21S 48/1168; F21S 48/1186  
See application file for complete search history.

- (56) **References Cited**  
U.S. PATENT DOCUMENTS  
D156,785 S \* 1/1950 Sykes ..... D26/35  
D541,444 S \* 4/2007 Lamarre ..... D26/28  
D596,323 S \* 7/2009 Ishizuka et al. .... D26/28  
D614,331 S \* 4/2010 Lamm et al. .... D26/28  
D663,875 S \* 7/2012 Kono ..... D26/28  
D691,758 S \* 10/2013 Lai ..... D26/28  
D701,337 S \* 3/2014 Iida et al. .... D26/28

- D709,632 S \* 7/2014 Sato et al. .... D26/28
- D709,633 S \* 7/2014 Kabata ..... D26/28
- D715,471 S \* 10/2014 Nagasaka et al. .... D26/28
- D720,869 S \* 1/2015 Knoedle-Bunte et al. .... D26/28
- D721,195 S \* 1/2015 Lim et al. .... D26/28
- D721,839 S \* 1/2015 Ha et al. .... D26/28

**OTHER PUBLICATIONS**

Lexus, Lexus LF-LC Concept (2012), netcarshow.com <[http://photo.netcarshow.com/Lexus-LF-LC\\_Concept\\_2012\\_photo\\_29.jpg](http://photo.netcarshow.com/Lexus-LF-LC_Concept_2012_photo_29.jpg)>, available at least as early as May 31, 2013.  
 BMW, BMW i8 Concept (2011), netcarshow.com <[http://photo.netcarshow.com/BMW-i8\\_Concept\\_2011\\_photo\\_55.jpg](http://photo.netcarshow.com/BMW-i8_Concept_2011_photo_55.jpg)>, available at least as early as May 31, 2013.  
 BMW, BMW 5 Series (2014), netcarshow.com <[http://www.netcarshow.com/bmw/2014-5-series/800x600/wallpaper\\_91.htm](http://www.netcarshow.com/bmw/2014-5-series/800x600/wallpaper_91.htm)>, available at least as early as May 31, 2013.

\* cited by examiner

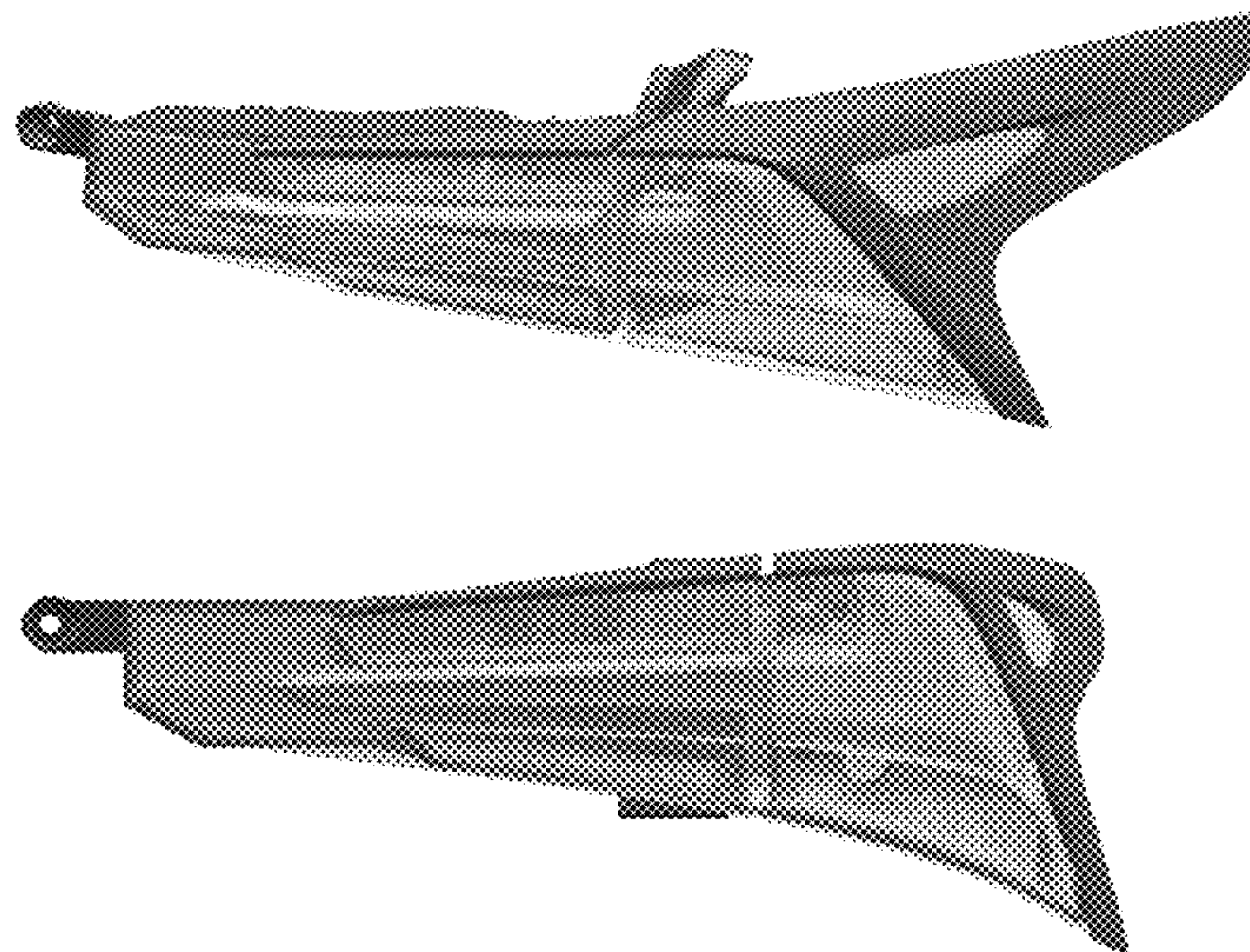
*Primary Examiner* — Clare E Heflin  
 (74) *Attorney, Agent, or Firm* — Saidman DesignLaw Group, LLC

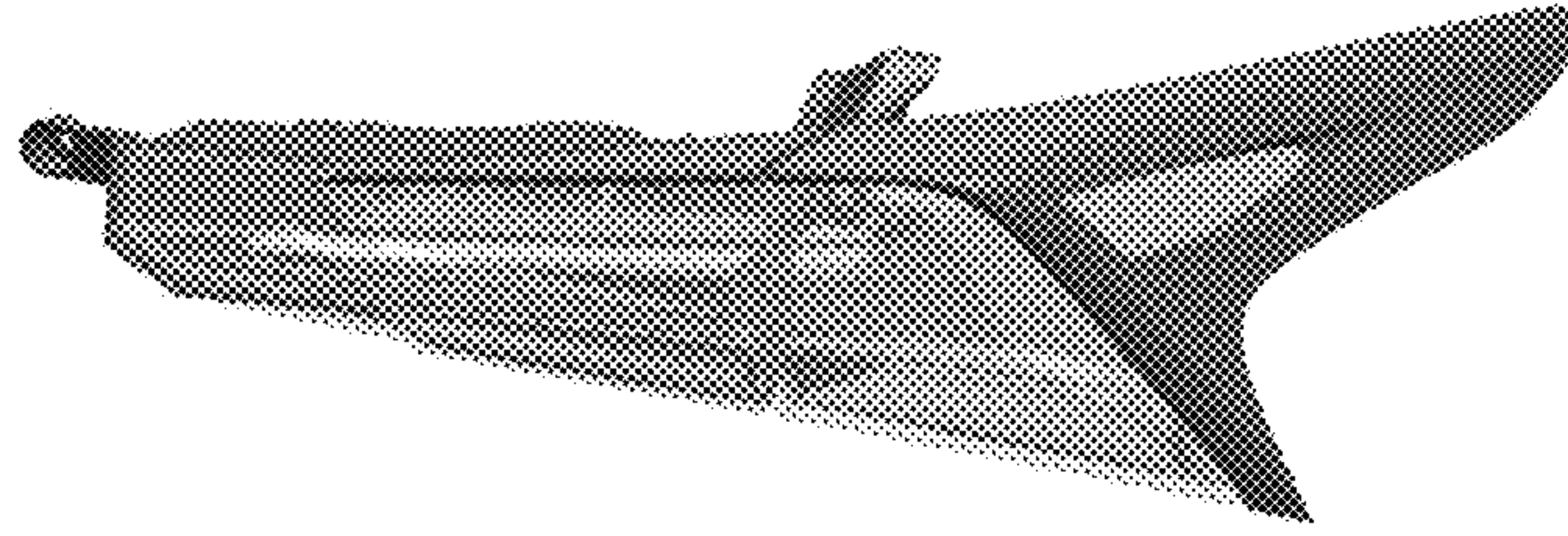
(57) **CLAIM**  
 The ornamental design for a combination lamp for an automobile, as shown and described.

**DESCRIPTION**

FIG. 1 is a perspective view of a combination lamp for an automobile showing our new design;  
 FIG. 2 is a front view thereof;  
 FIG. 3 is a rear view thereof;  
 FIG. 4 is a top view thereof;  
 FIG. 5 is a bottom view thereof;  
 FIG. 6 is a right side view thereof; and,  
 FIG. 7 is a left side view thereof.  
 The drawings include shadows and reflections which indicate contour, not surface ornamentation.

**1 Claim, 3 Drawing Sheets**

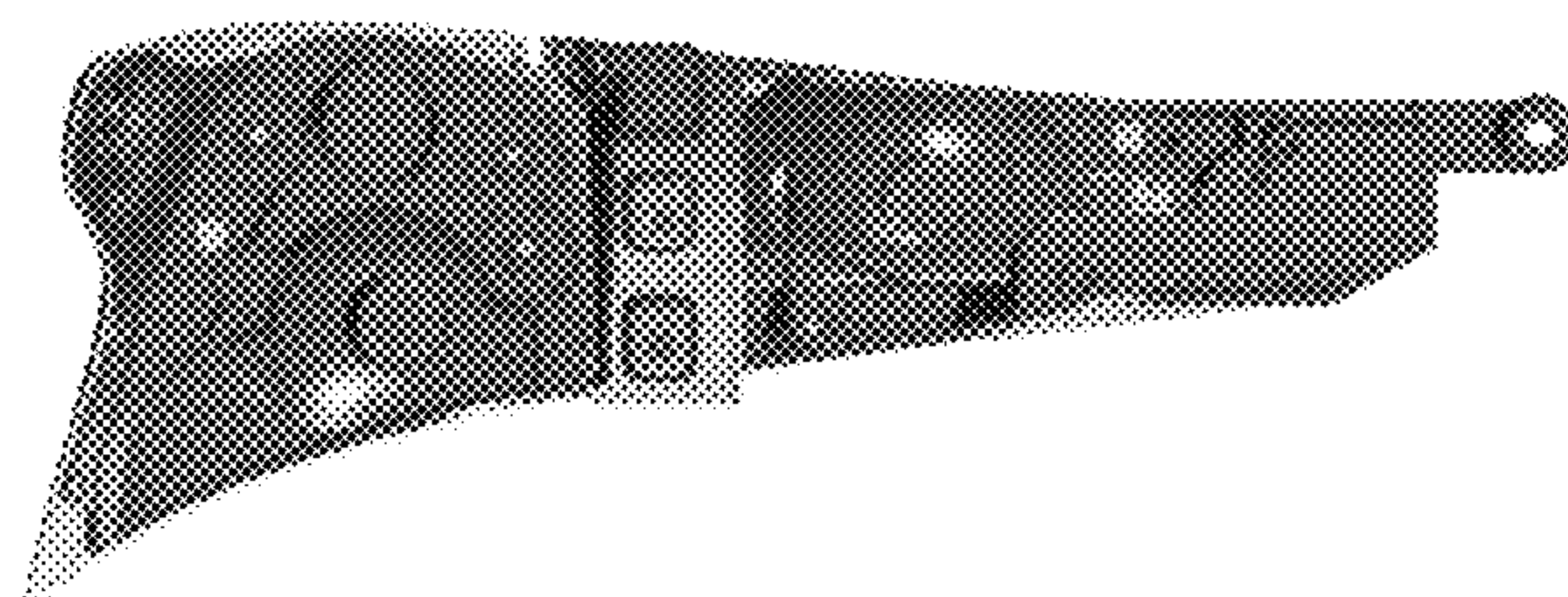




**Fig. 1**

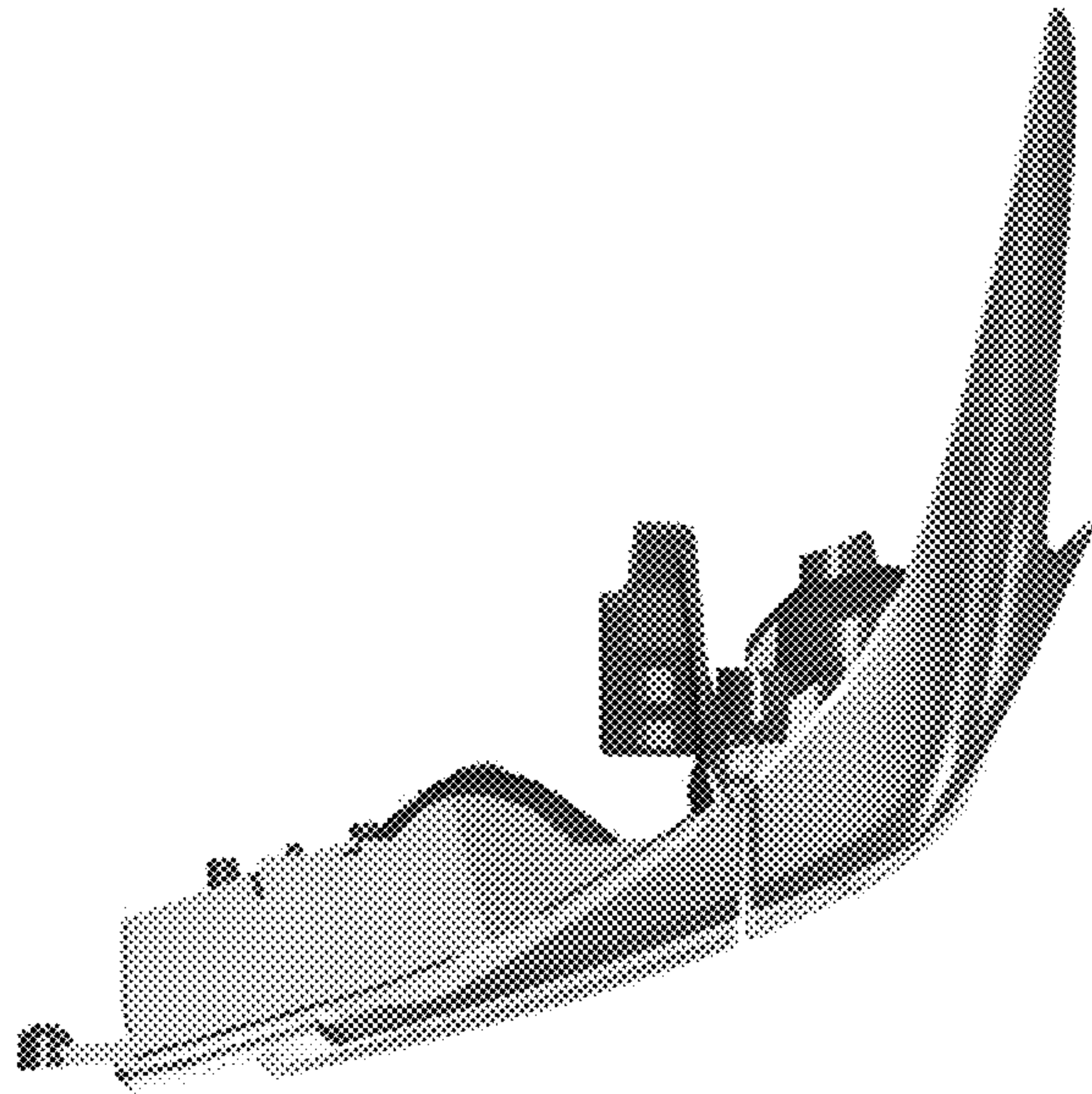


**Fig. 2**

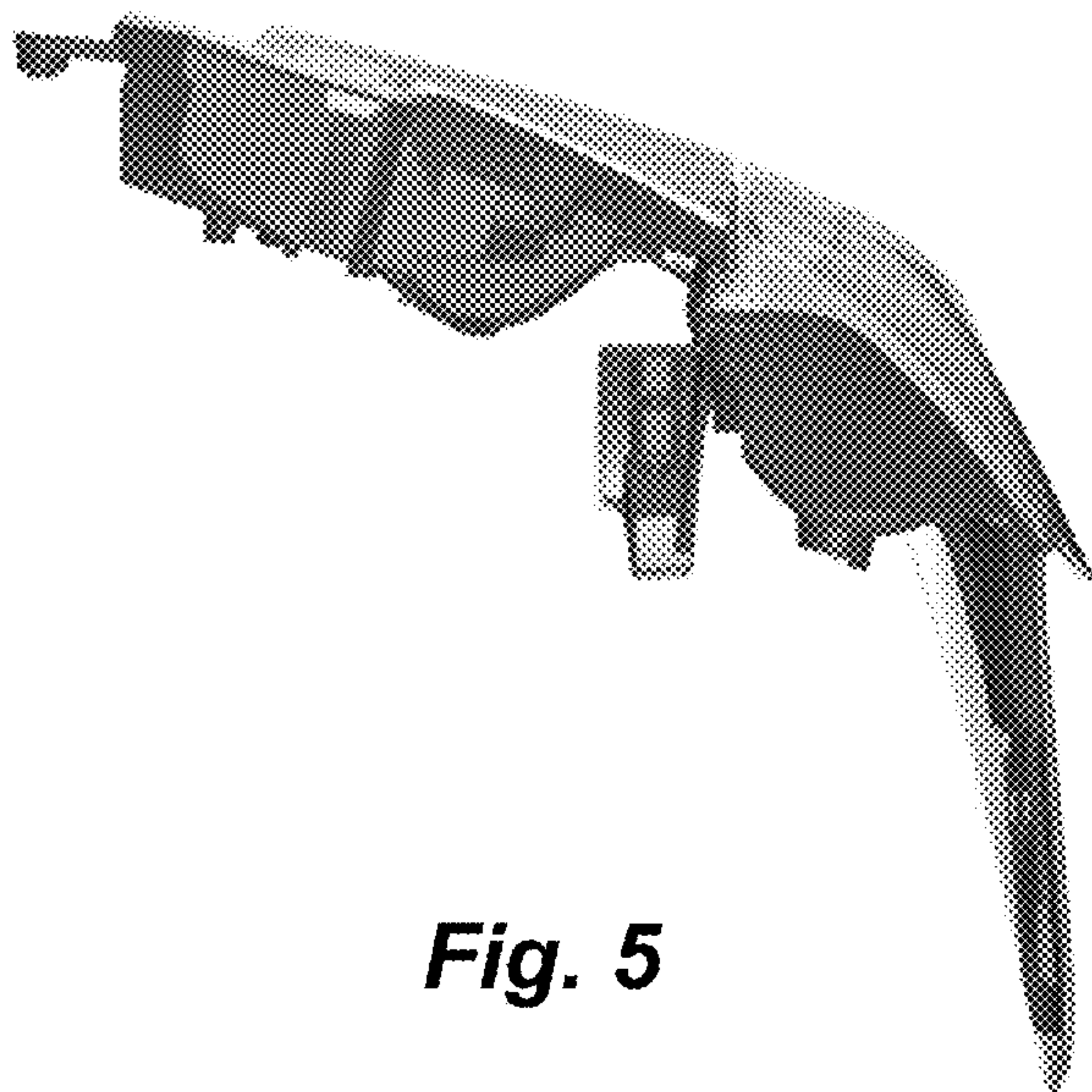


**Fig. 3**





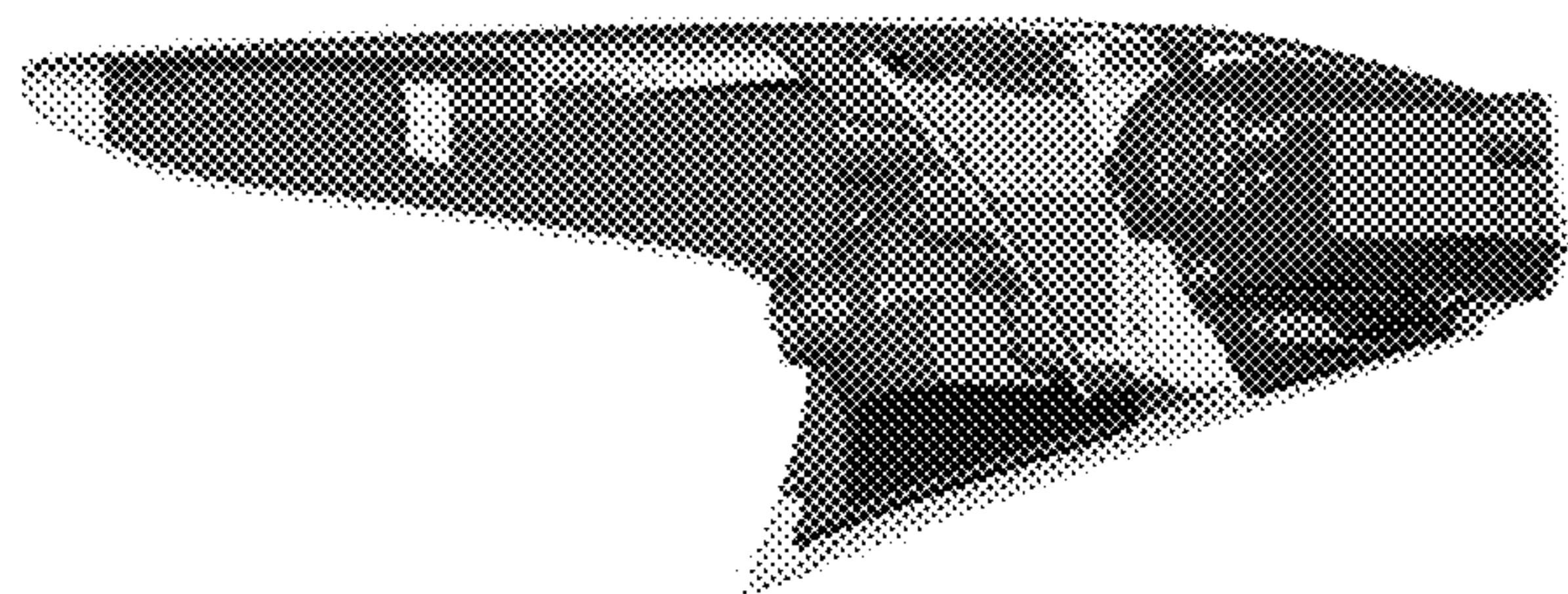
**Fig. 4**



**Fig. 5**



**Fig. 6**



**Fig. 7**