



US00D736437S

(12) **United States Design Patent**
Yeh

(10) **Patent No.:** **US D736,437 S**

(45) **Date of Patent:** **** Aug. 11, 2015**

(54) **CAB LIGHT**

(71) Applicant: **Kuo-Yang Yeh**, Tainan (TW)

(72) Inventor: **Kuo-Yang Yeh**, Tainan (TW)

(73) Assignee: **LUCIDITY ENTERPRISE CO., LTD.**,
Annan District, Tainan (TW)

(**) Term: **14 Years**

(21) Appl. No.: **29/475,115**

(22) Filed: **Nov. 29, 2013**

(51) **LOC (10) Cl.** **26-06**

(52) **U.S. Cl.**
USPC **D26/28**

(58) **Field of Classification Search**
USPC D26/28-36, 63, 71; D10/111,
D10/114.1-114.5; 362/459, 464, 485-487,
362/196-200, 208, 362
CPC B60Q 1/2615; B60Q 1/32; B60Q 1/2607;
F21W 2101/02; F21S 48/1225; F21S 48/155;
F21S 48/2206; F21S 48/2212

See application file for complete search history.

(56) **References Cited**

U.S. PATENT DOCUMENTS

D558,910 S *	1/2008	Martineau	D26/85
D567,413 S *	4/2008	Chang	D26/28
D620,159 S *	7/2010	Beigel et al.	D26/28
D709,212 S *	7/2014	Peltola et al.	D26/28

* cited by examiner

Primary Examiner — Wan Laymon

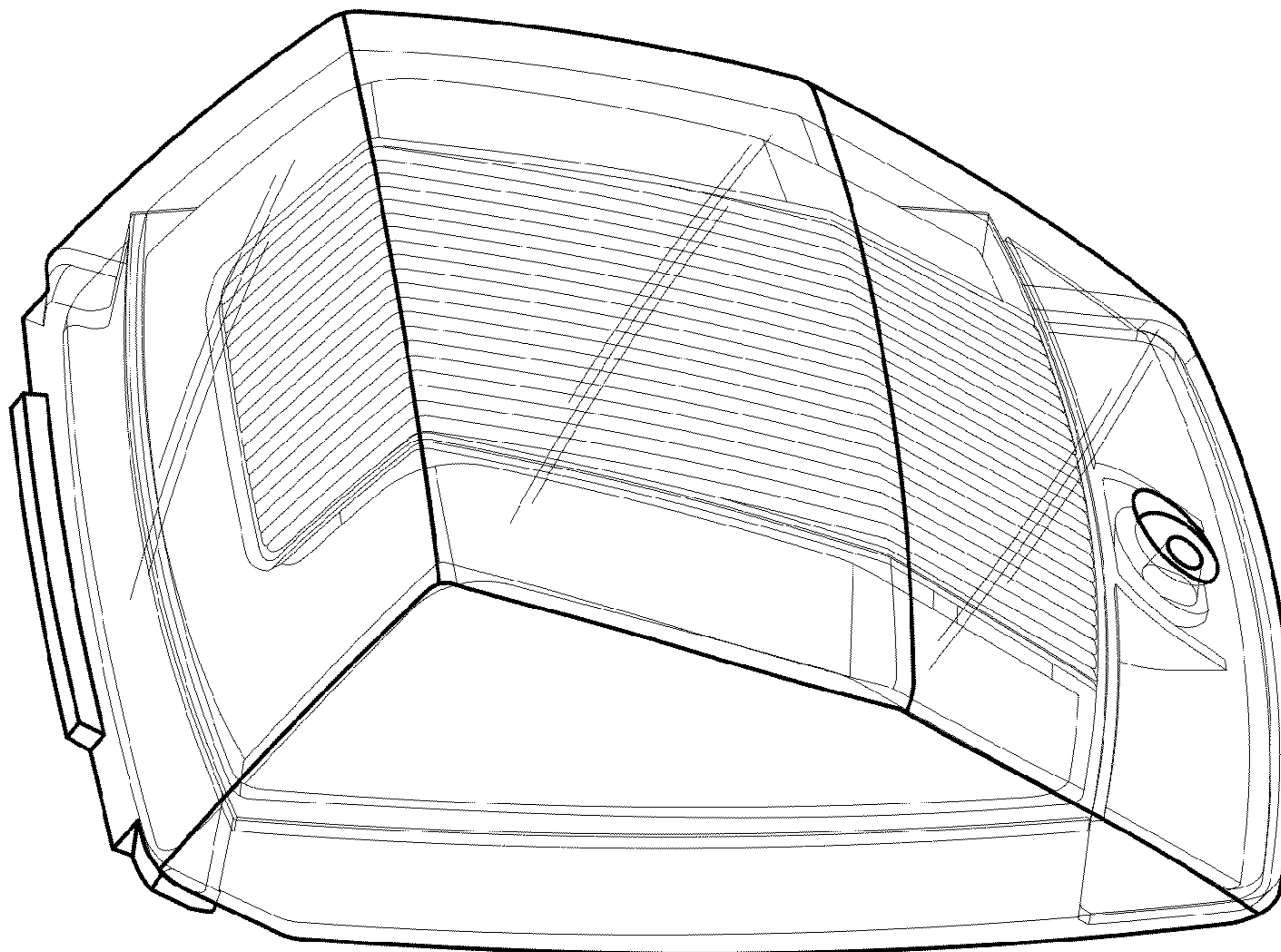
(57) **CLAIM**

The ornamental design for a cab light, as shown and described.

DESCRIPTION

FIG. 1 is a perspective view of a cab light showing my design;
FIG. 2 is a front elevational view thereof;
FIG. 3 is a rear elevational view thereof;
FIG. 4 is a left side elevational view thereof;
FIG. 5 is a right side elevational view thereof;
FIG. 6 is a top plan view thereof; and,
FIG. 7 is a bottom plan view.

1 Claim, 7 Drawing Sheets



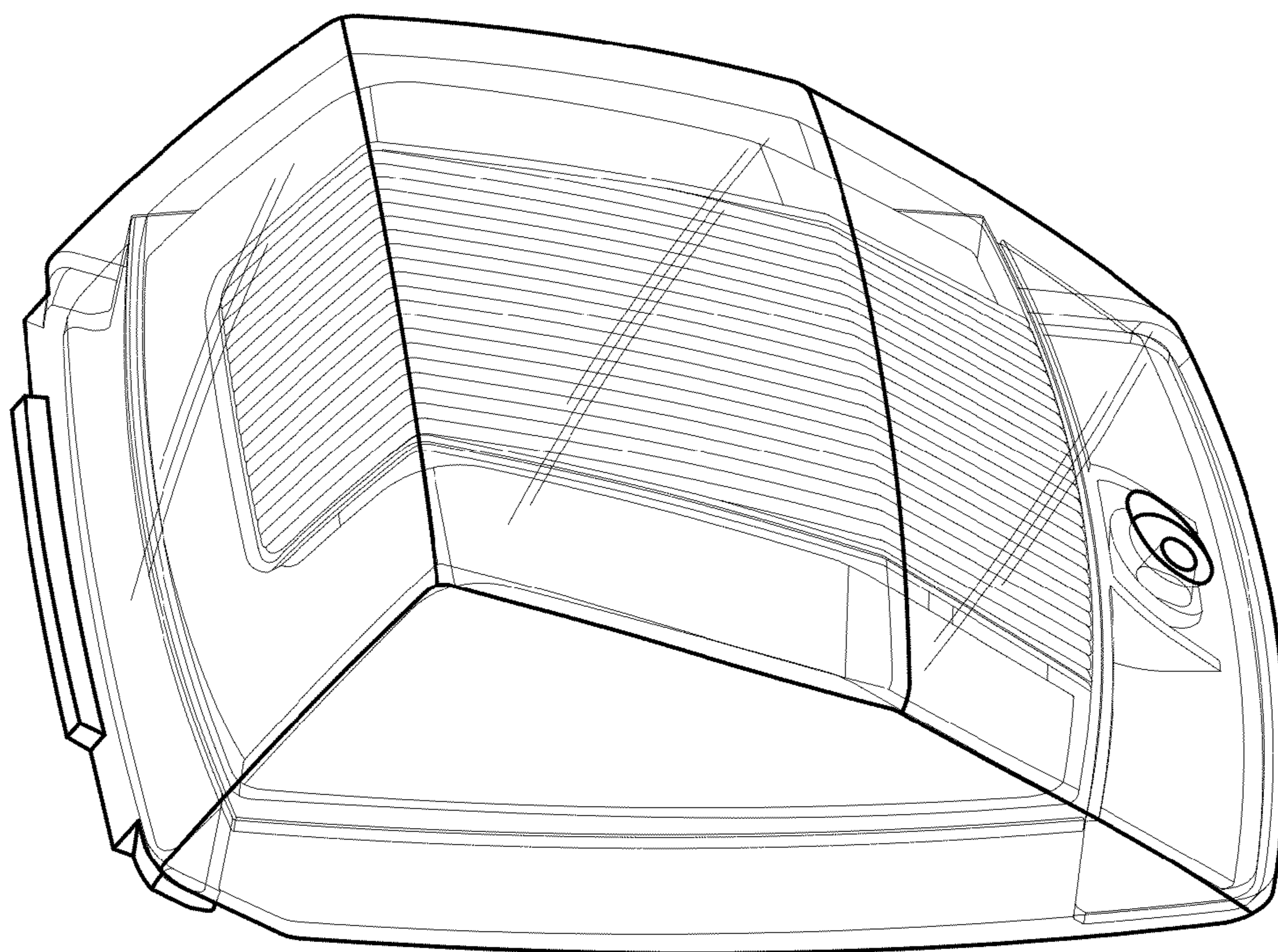


FIG.1

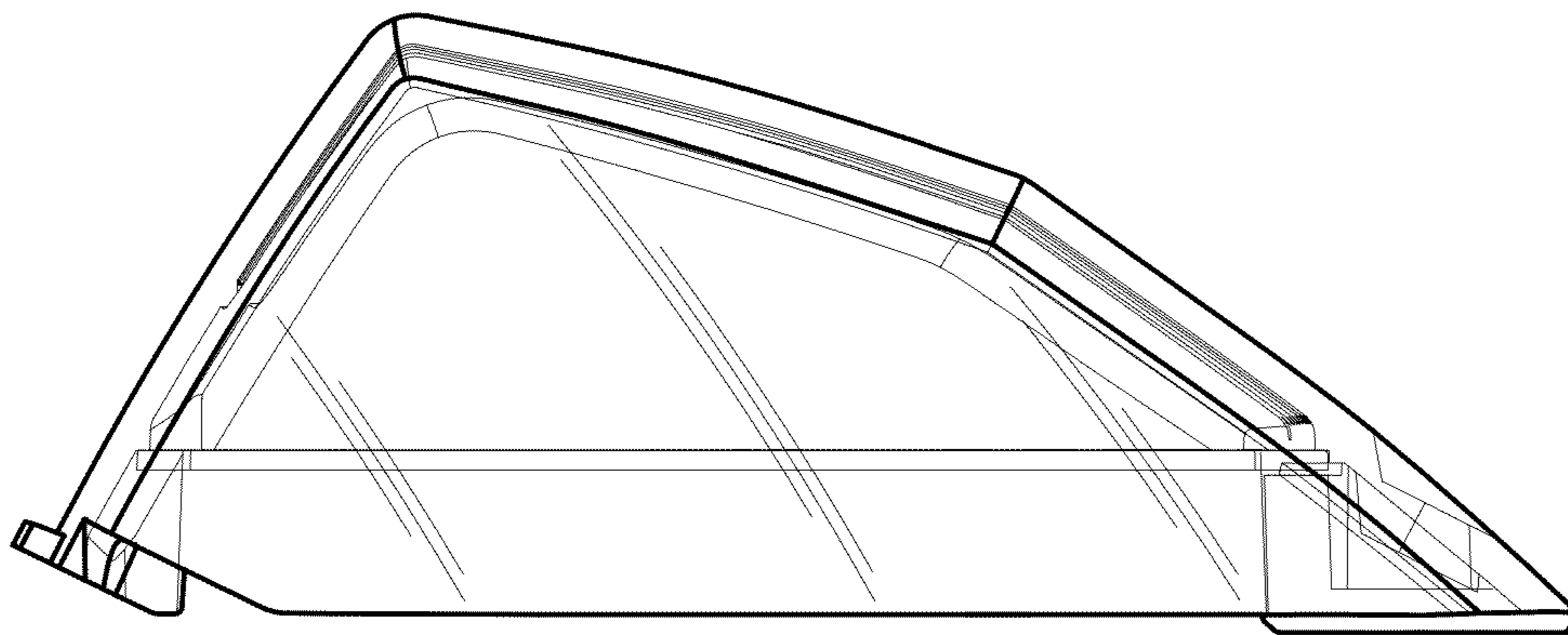


FIG.2

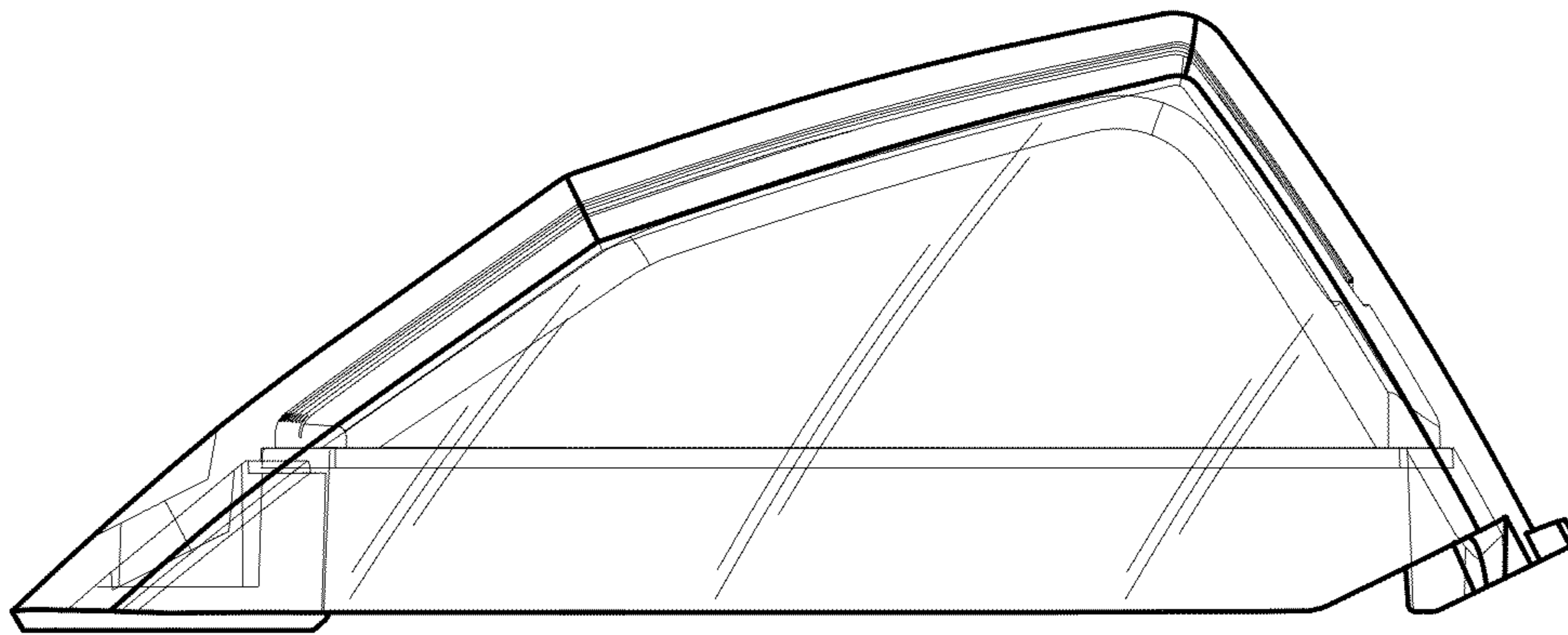


FIG.3

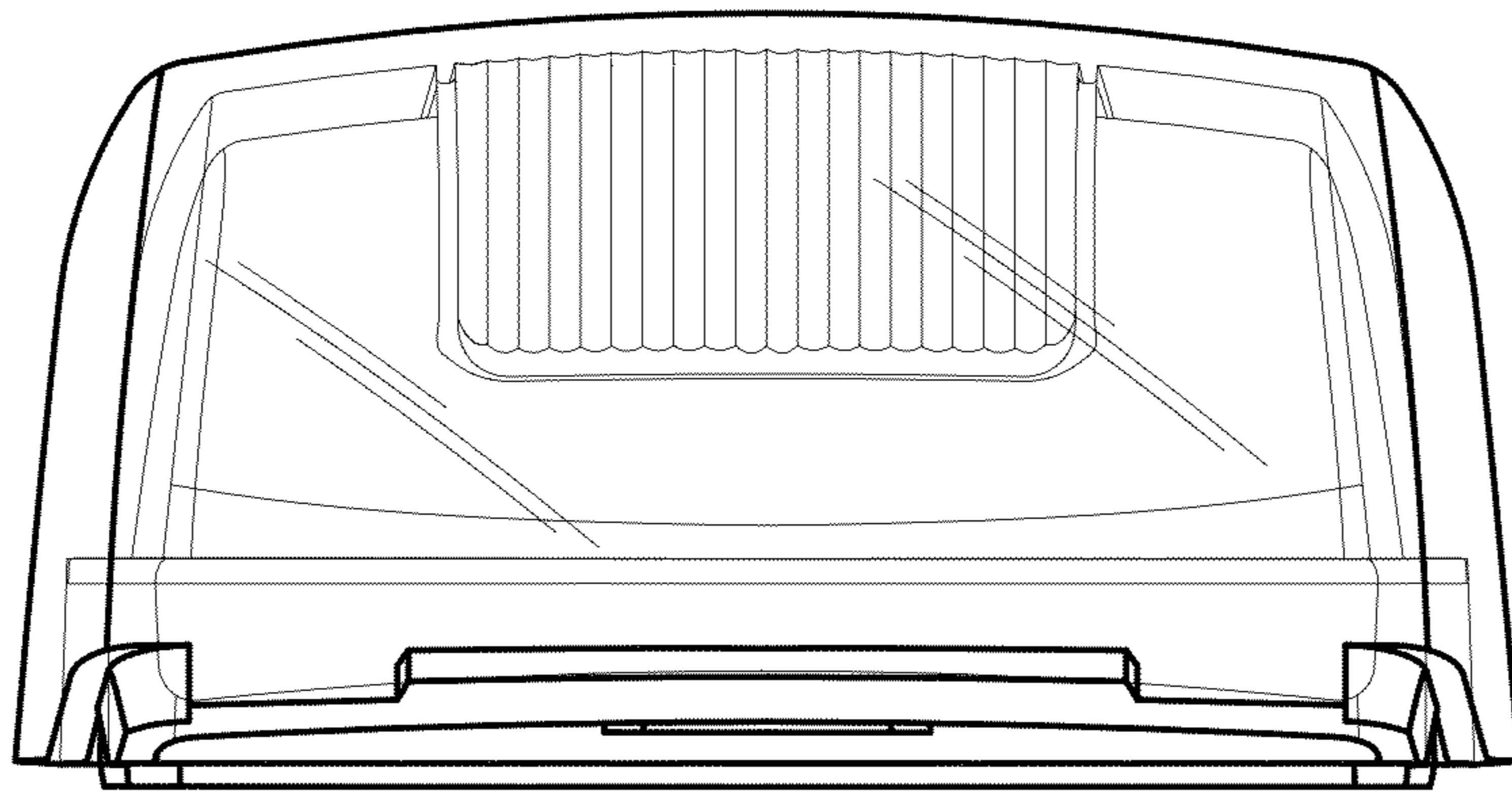


FIG.4

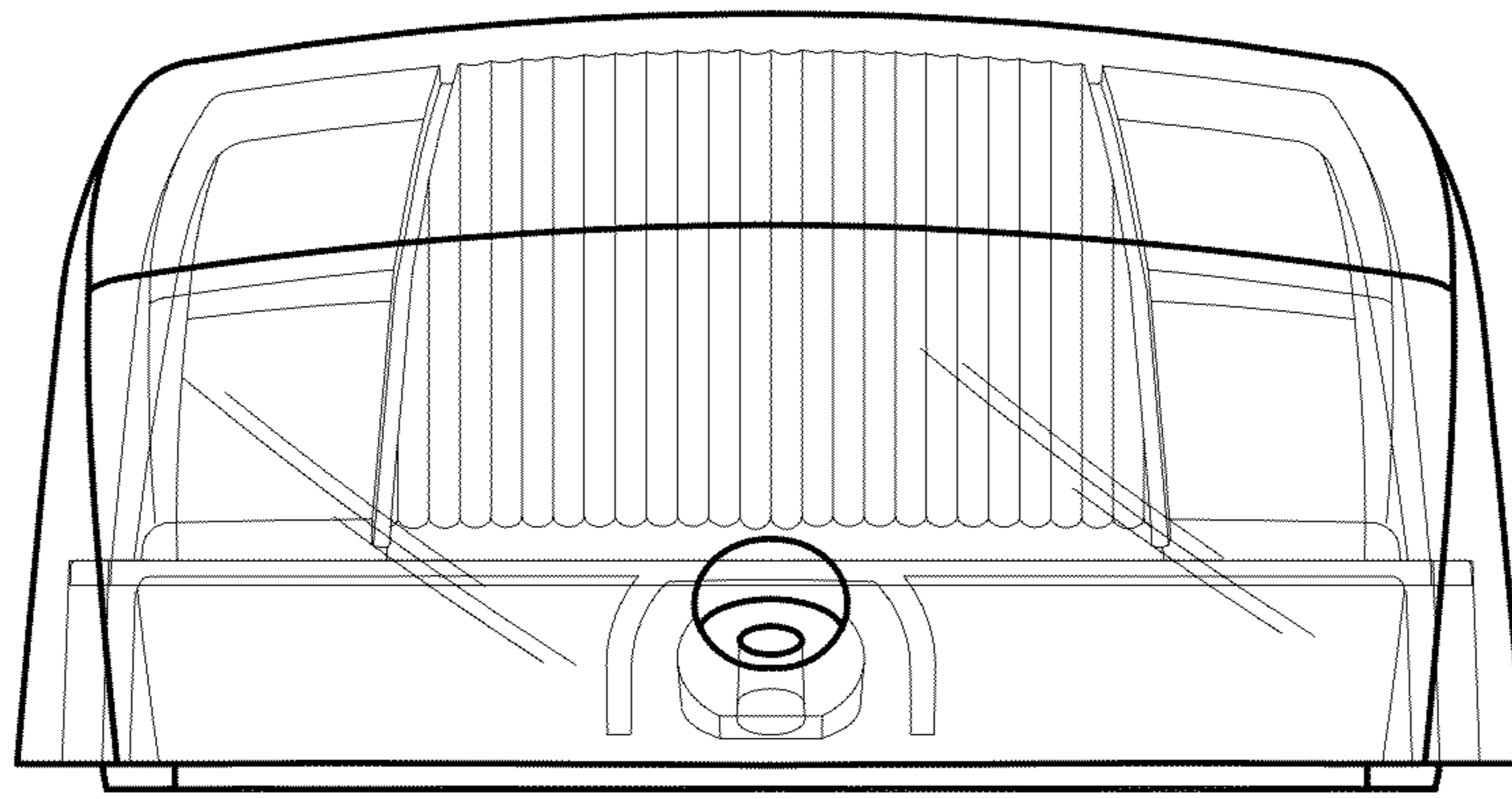


FIG.5

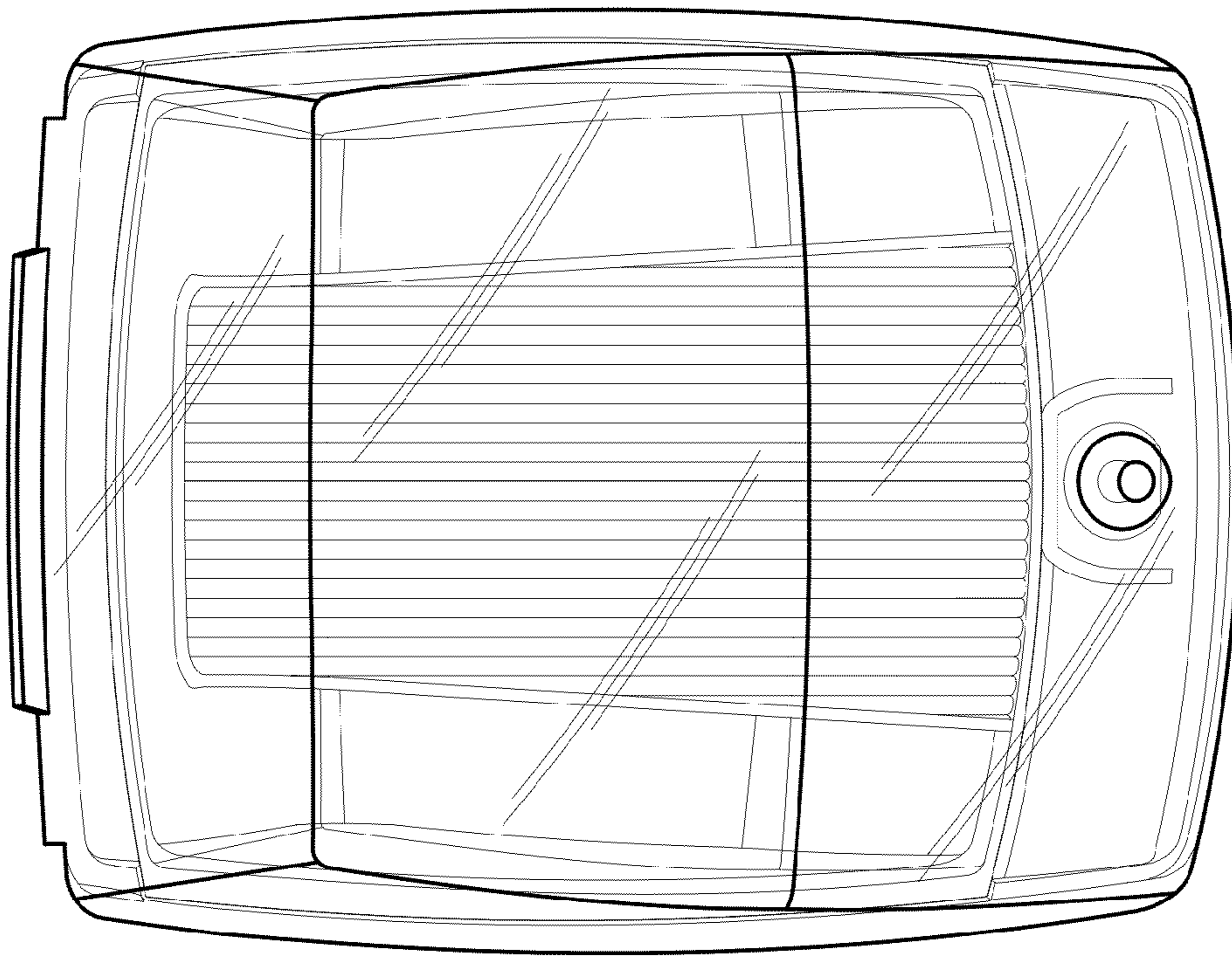


FIG.6

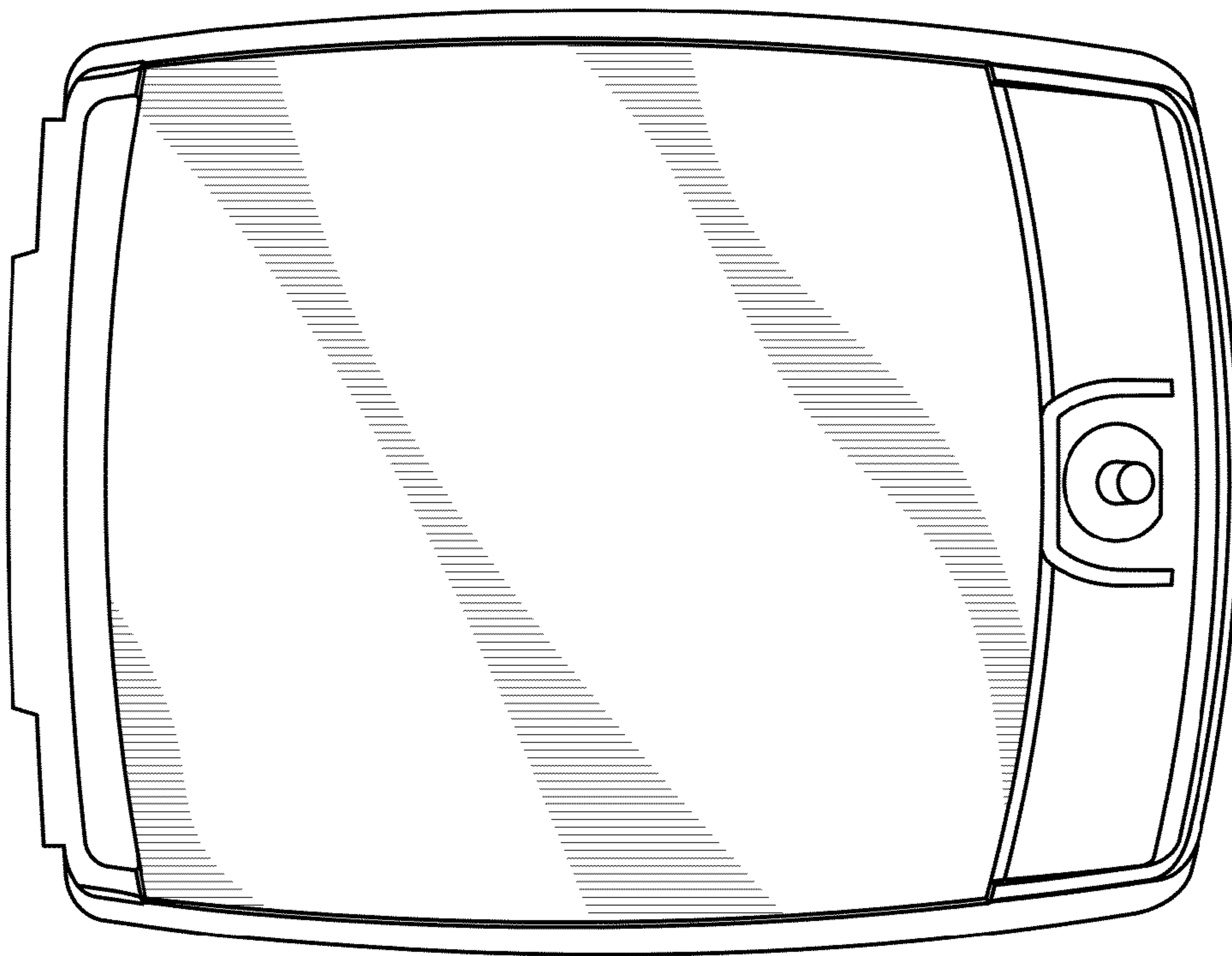


FIG.7