



US00D736435S

(12) **United States Design Patent**
Jackson et al.

(10) **Patent No.:** **US D736,435 S**

(45) **Date of Patent:** **** Aug. 11, 2015**

(54) **LIGHTING BEZEL OF AN AGRICULTURAL VEHICLE**

D565,211 S * 3/2008 Haller et al. D26/28
D574,524 S * 8/2008 Tomatsu D26/28
D605,793 S * 12/2009 Weil D26/28

(71) Applicant: **CNH America LLC**, New Holland, PA (US)

* cited by examiner

(72) Inventors: **Dwayne Jackson**, Plainfield, IL (US);
Eric M. Jacobsthal, Elmhurst, IL (US);
Douglas Montgomery, Downers Grove, IL (US);
Jonathan Eziquiel-Shriro, Chicago, IL (US);
Jesse W. Gonzales, Falls Church, VA (US)

Primary Examiner — Ralf Seifert

(74) *Attorney, Agent, or Firm* — Sue C. Watson

(73) Assignee: **CNH Industrial America LLC**, New Holland, PA (US)

(57) **CLAIM**

The ornamental design for a lighting bezel of an agricultural vehicle, substantially as shown and described.

(**) Term: **14 Years**

DESCRIPTION

(21) Appl. No.: **29/471,940**

FIG. 1 is a perspective view of a lighting bezel of an agricultural vehicle, in which the phantom lines illustrate portions of a lighting system of the agricultural vehicle;

(22) Filed: **Nov. 6, 2013**

FIG. 2 is a top view of the lighting bezel, in which the phantom lines illustrate portions of the lighting system of the agricultural vehicle;

(51) **LOC (10) Cl.** **26-06**

(52) **U.S. Cl.**
USPC **D26/28**

FIG. 3 is a bottom view of the lighting bezel, in which the phantom lines illustrate portions of the lighting system of the agricultural vehicle;

(58) **Field of Classification Search**
USPC D26/139, 28, 31, 34, 36, 140, 121;
362/341, 473, 475, 523, 84

CPC B62J 6/00; B62J 17/202
See application file for complete search history.

FIG. 4 is a left side elevation view of the lighting bezel, in which the phantom lines illustrate portions of the lighting system of the agricultural vehicle;

FIG. 5 is a right side elevation view of the lighting bezel, in which the phantom lines illustrate portions of the lighting system of the agricultural vehicle;

(56) **References Cited**

U.S. PATENT DOCUMENTS

D549,363 S * 8/2007 Pfeiffer D26/28
D552,769 S * 10/2007 Leclercq D26/28
D553,268 S * 10/2007 Pfeiffer D26/28
D553,269 S * 10/2007 Pfeiffer et al. D26/28
D560,292 S * 1/2008 Sato D26/28
D561,357 S * 2/2008 Leclercq D26/28

FIG. 6 is a front view of the lighting bezel, in which the phantom lines illustrate portions of the lighting system of the agricultural vehicle; and,

FIG. 7 is a back view of the lighting bezel, in which the phantom lines illustrate portions of the lighting system of the agricultural vehicle.

1 Claim, 4 Drawing Sheets

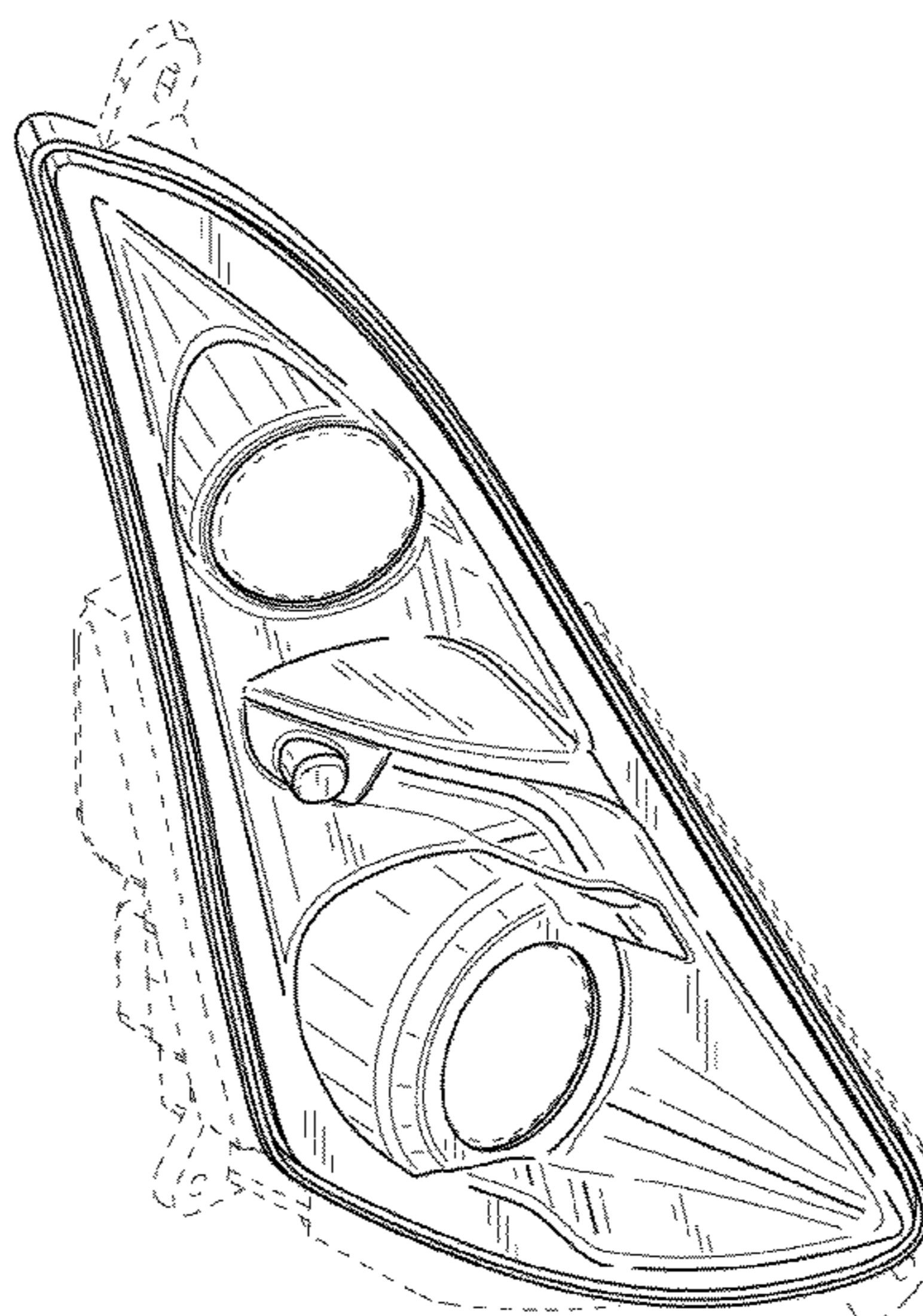


FIG. 2

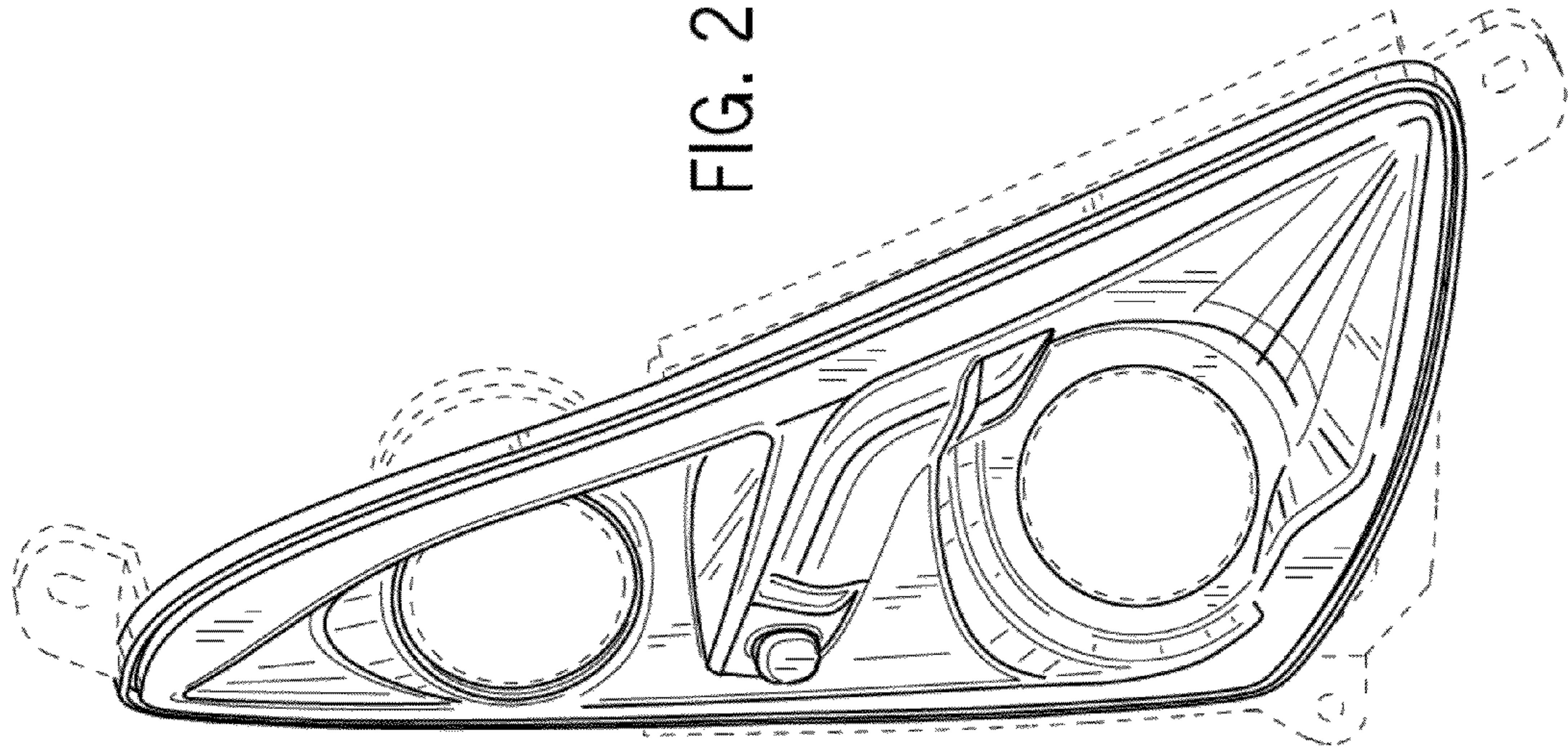
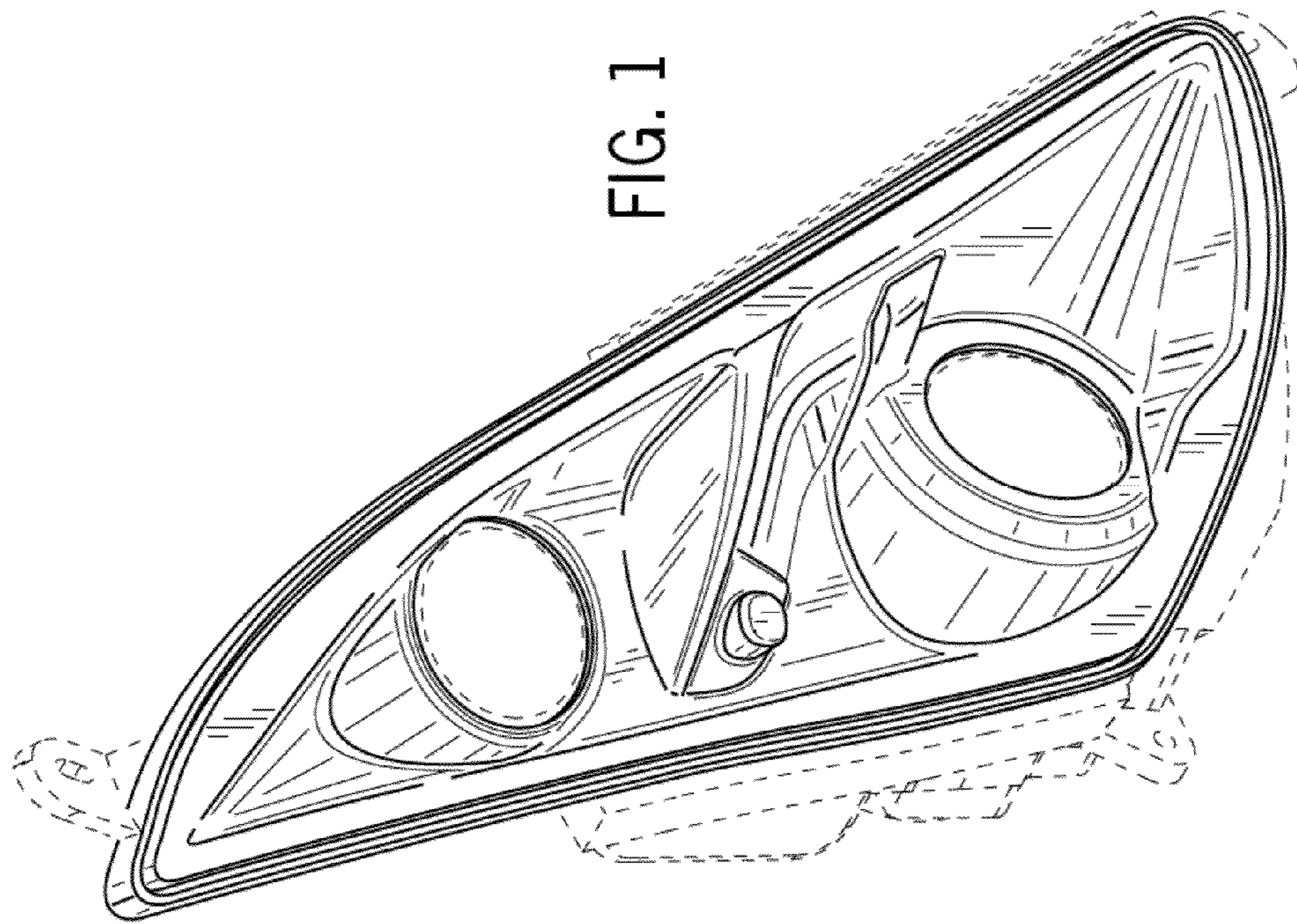


FIG. 1



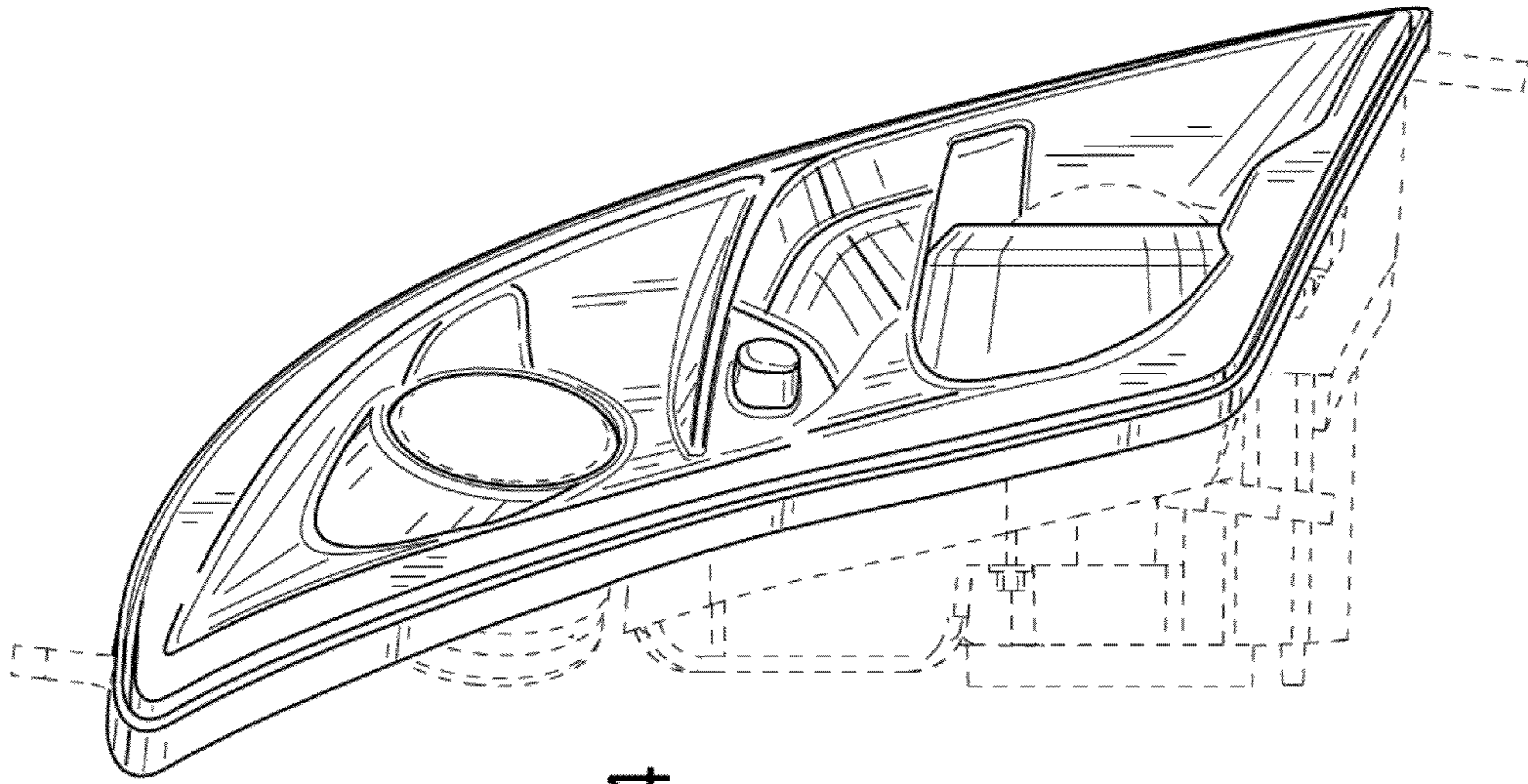


FIG. 4

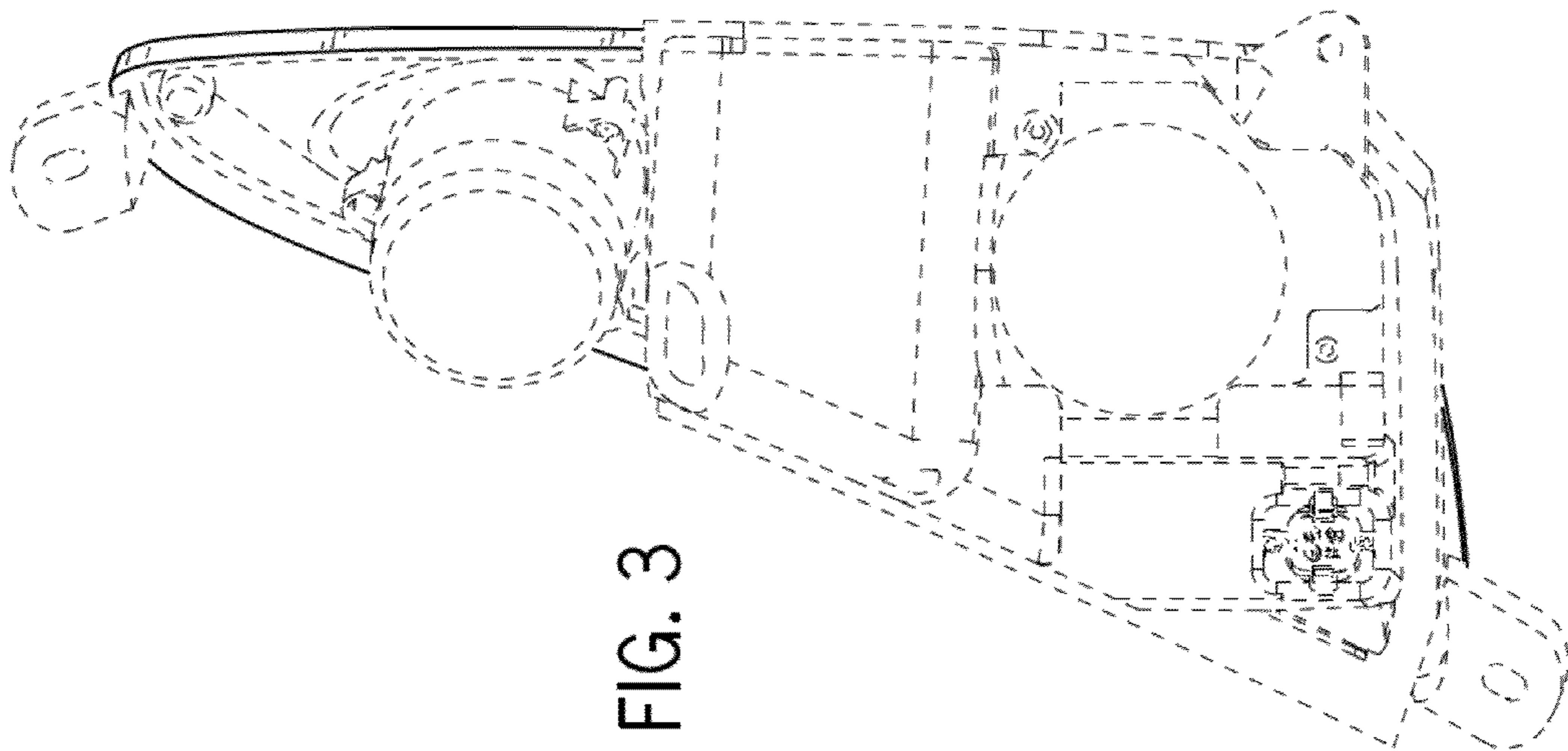


FIG. 3

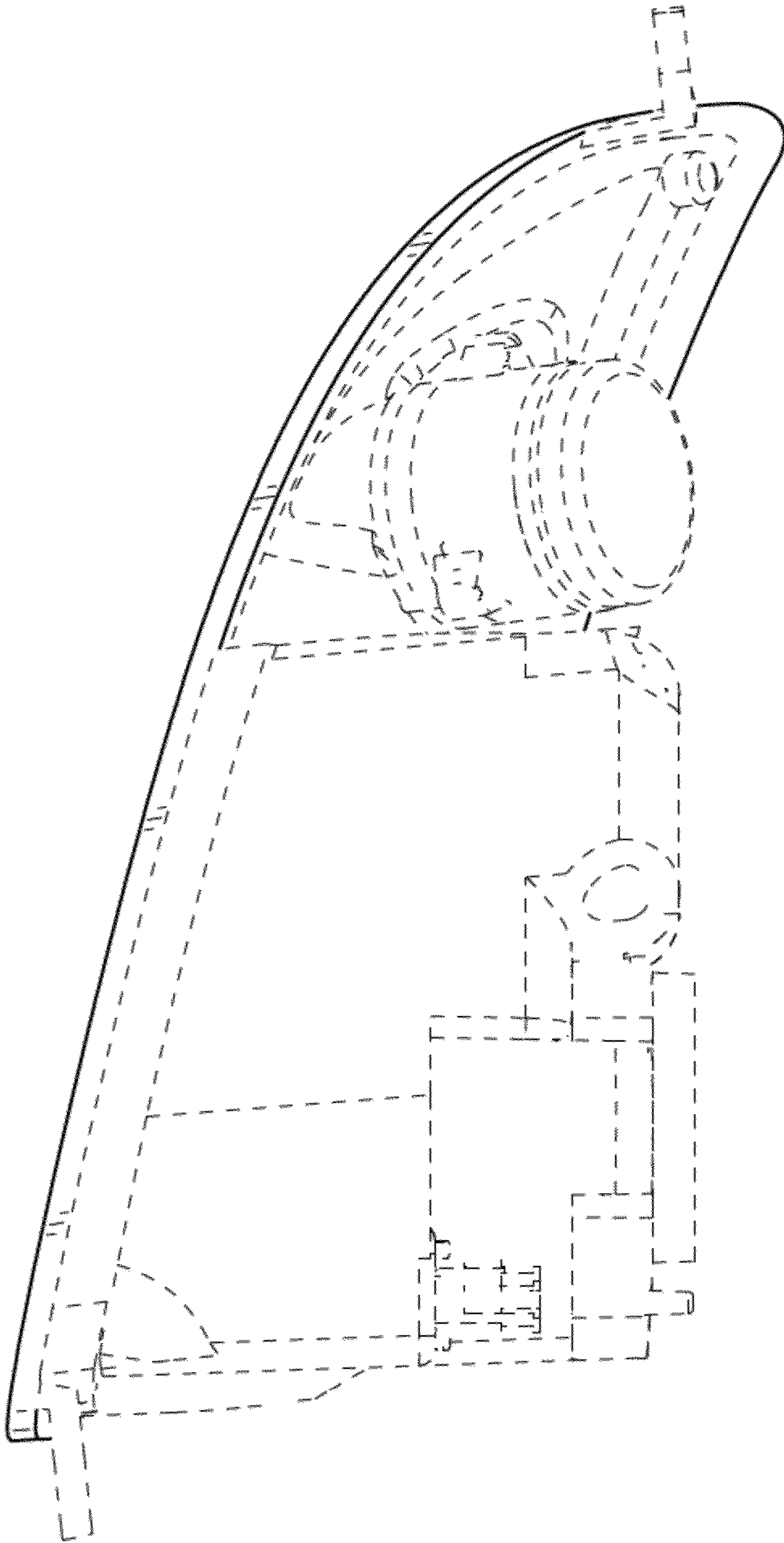


FIG. 5

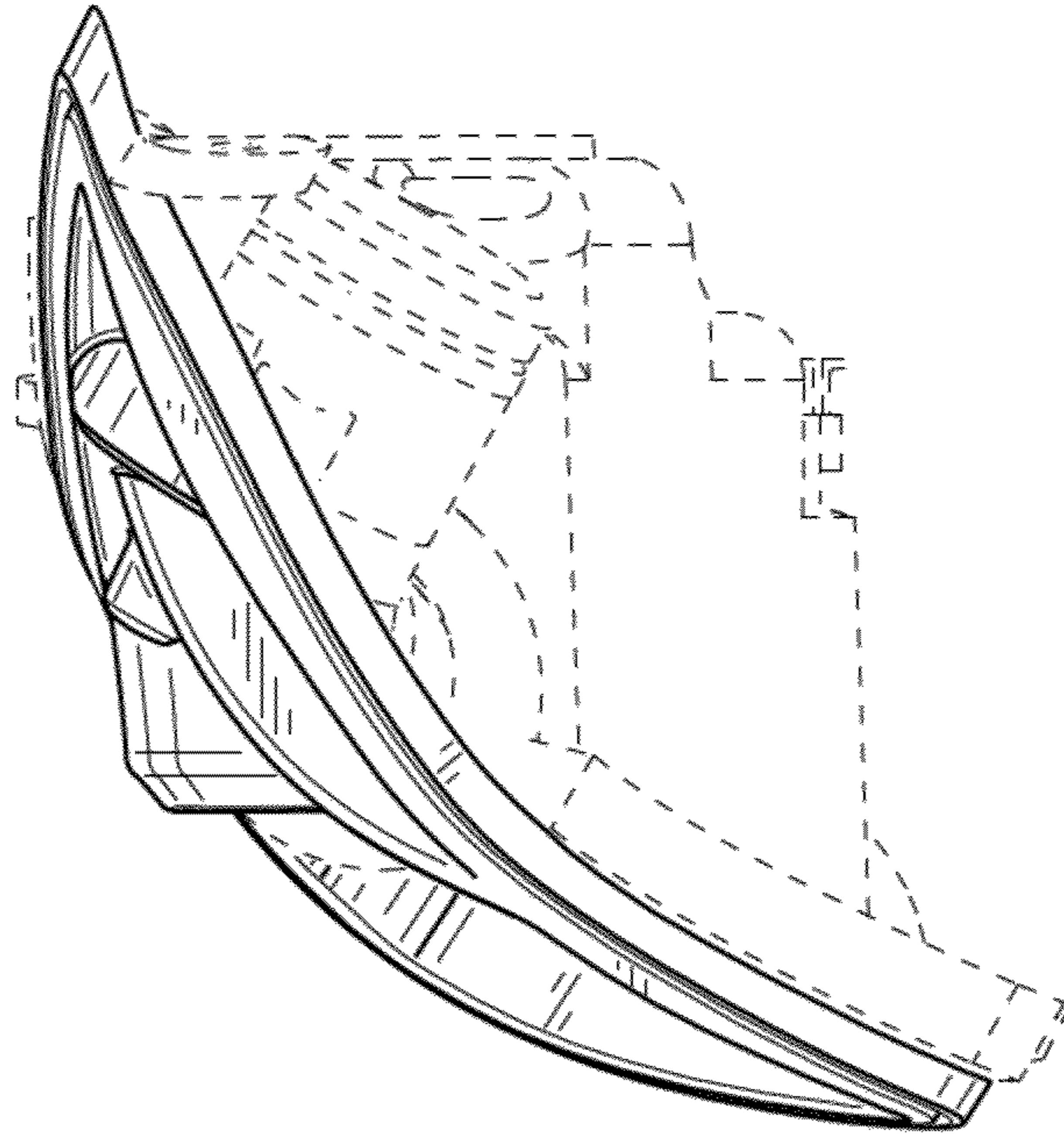


FIG. 6

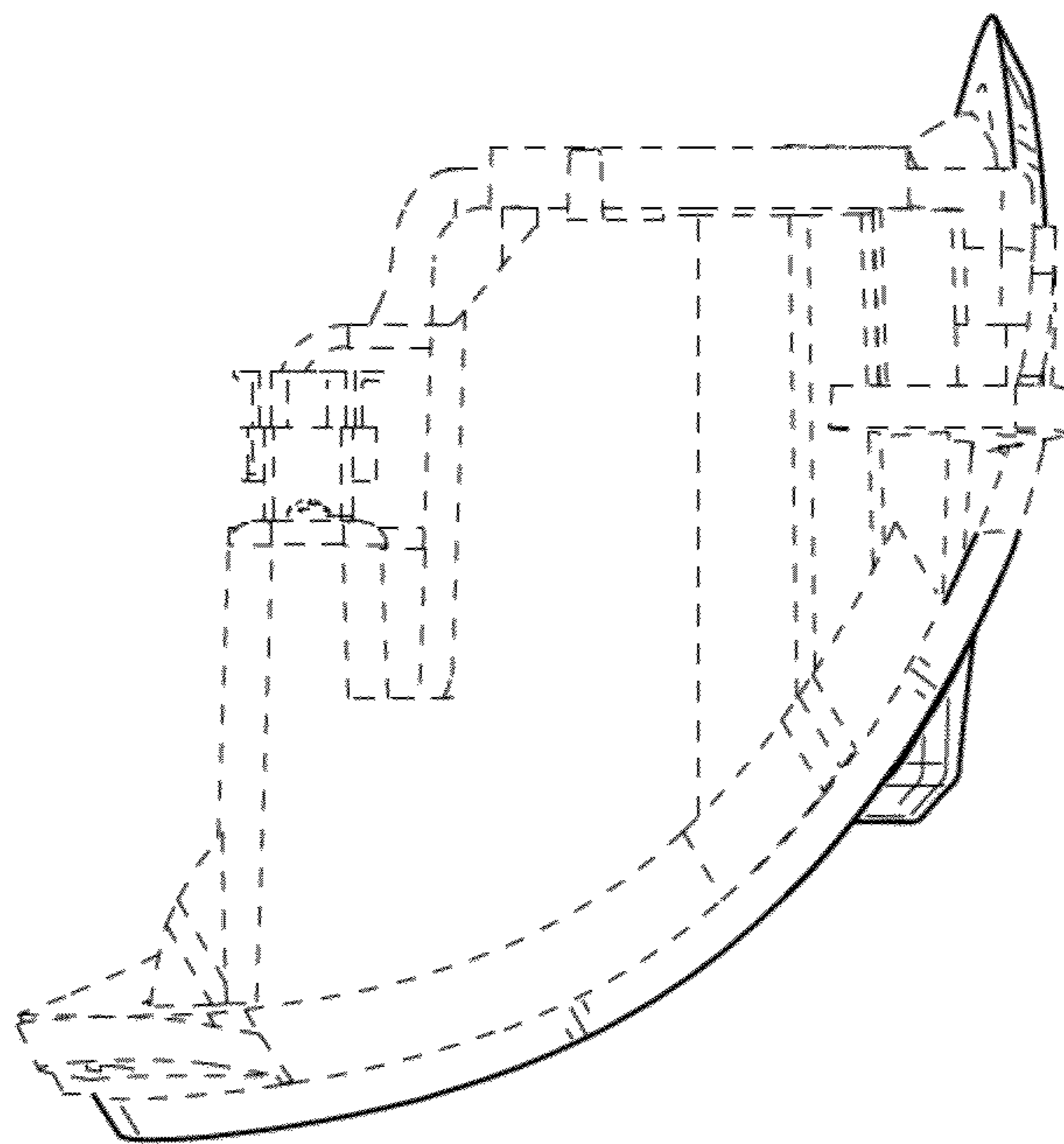


FIG. 7