

US00D736427S

(12) **United States Design Patent**
Ye et al.

(10) **Patent No.:** **US D736,427 S**

(45) **Date of Patent:** **** Aug. 11, 2015**

(54) **LIGHT EMITTING DIODE LAMP**

(71) Applicant: **WINTEK CORPORATION**, Taichung (TW)

(72) Inventors: **Zhi-Ting Ye**, Miaoli County (TW);
Ming-Chuan Lin, Taichung (TW);
Chia-Hung Pan, Taichung (TW)

(73) Assignee: **WINTEK CORPORATION**, Taichung (TW)

(**) Term: **14 Years**

(21) Appl. No.: **29/468,344**

(22) Filed: **Sep. 30, 2013**

(30) **Foreign Application Priority Data**

Apr. 30, 2013 (TW) 102303072
Jun. 20, 2013 (TW) 102303072D01

(51) **LOC (10) Cl.** **26-04**

(52) **U.S. Cl.**
USPC **D26/2**

(58) **Field of Classification Search**
USPC D26/1-4; 313/313, 315, 316, 317, 318,
313/493; 315/52, 53, 56, 57, 58
See application file for complete search history.

(56) **References Cited**

U.S. PATENT DOCUMENTS

D531,741 S * 11/2006 Takahashi D26/2
D538,950 S * 3/2007 Maxik D26/2
D538,953 S * 3/2007 Mama D26/2
D548,369 S * 8/2007 Bembridge D26/2
D549,360 S * 8/2007 An D26/2
D662,233 S 6/2012 Zhou
D662,625 S * 6/2012 Yamamoto et al. D26/2
D673,699 S * 1/2013 Yao et al. D26/2

FOREIGN PATENT DOCUMENTS

TW 215013 10/1993

OTHER PUBLICATIONS

“CENS Lighting”, ISSN 1682-7945, CENS, Dec. 2009, p. L-48, CENS.

* cited by examiner

Primary Examiner — Marcus Jackson

(74) *Attorney, Agent, or Firm* — Ming Chow; Sinorica, LLC

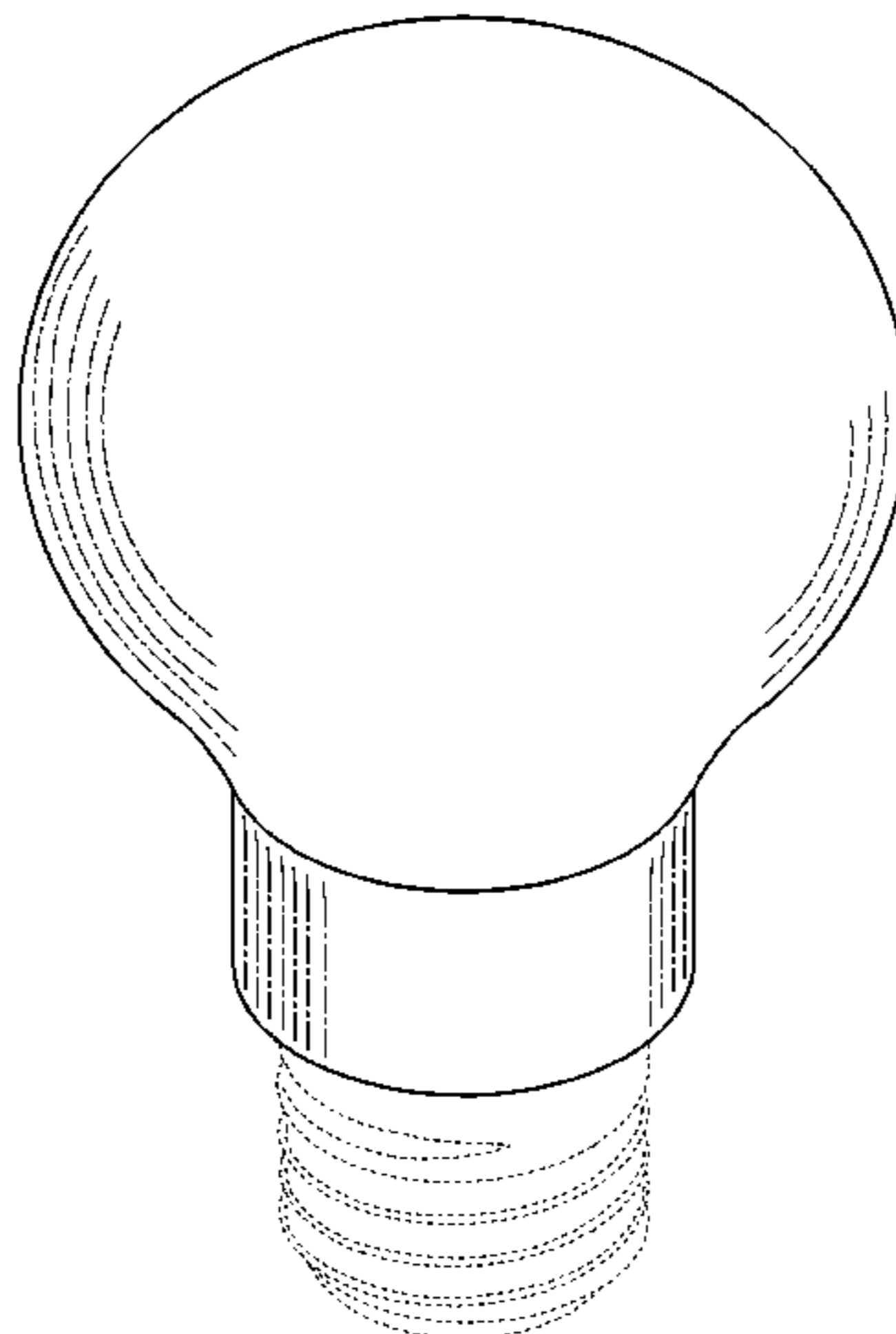
(57) **CLAIM**

The ornamental design for a light emitting diode lamp, as shown and described.

DESCRIPTION

FIG. 1 is a perspective view of a light emitting diode lamp according to a first embodiment showing our new design; FIG. 2 is a front view thereof; FIG. 3 is a rear view thereof; FIG. 4 is a left side view thereof; FIG. 5 is a right side view thereof; FIG. 6 is a top plan view thereof; FIG. 7 is a bottom plan view thereof; FIG. 8 is a perspective view of a light emitting diode lamp according to a second embodiment showing our new design; FIG. 9 is a front view thereof; FIG. 10 is a rear view thereof; FIG. 11 is a left side view thereof; FIG. 12 is a right side view thereof; FIG. 13 is a top plan view thereof; FIG. 14 is a bottom plan view thereof; FIG. 15 is a perspective view of a light emitting diode lamp according to a third embodiment showing our new design; FIG. 16 is a front view thereof; FIG. 17 is a rear view thereof; FIG. 18 is a left side view thereof; FIG. 19 is a right side view thereof; FIG. 20 is a top plan view thereof; and, FIG. 21 is a bottom plan view thereof. The broken lines shown herein are for illustrative purposes only and form no part of the claimed design.

1 Claim, 21 Drawing Sheets



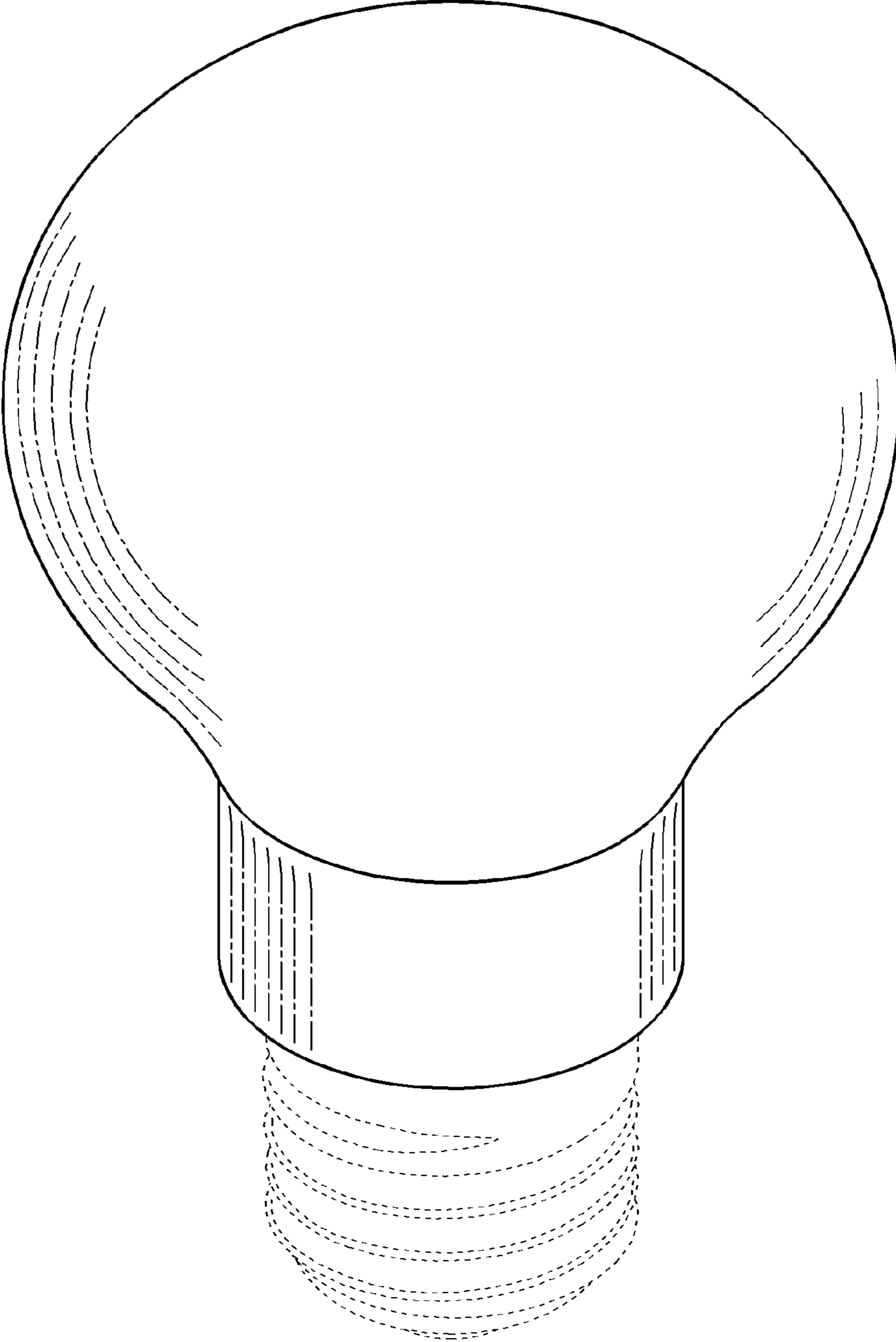


FIG. 1

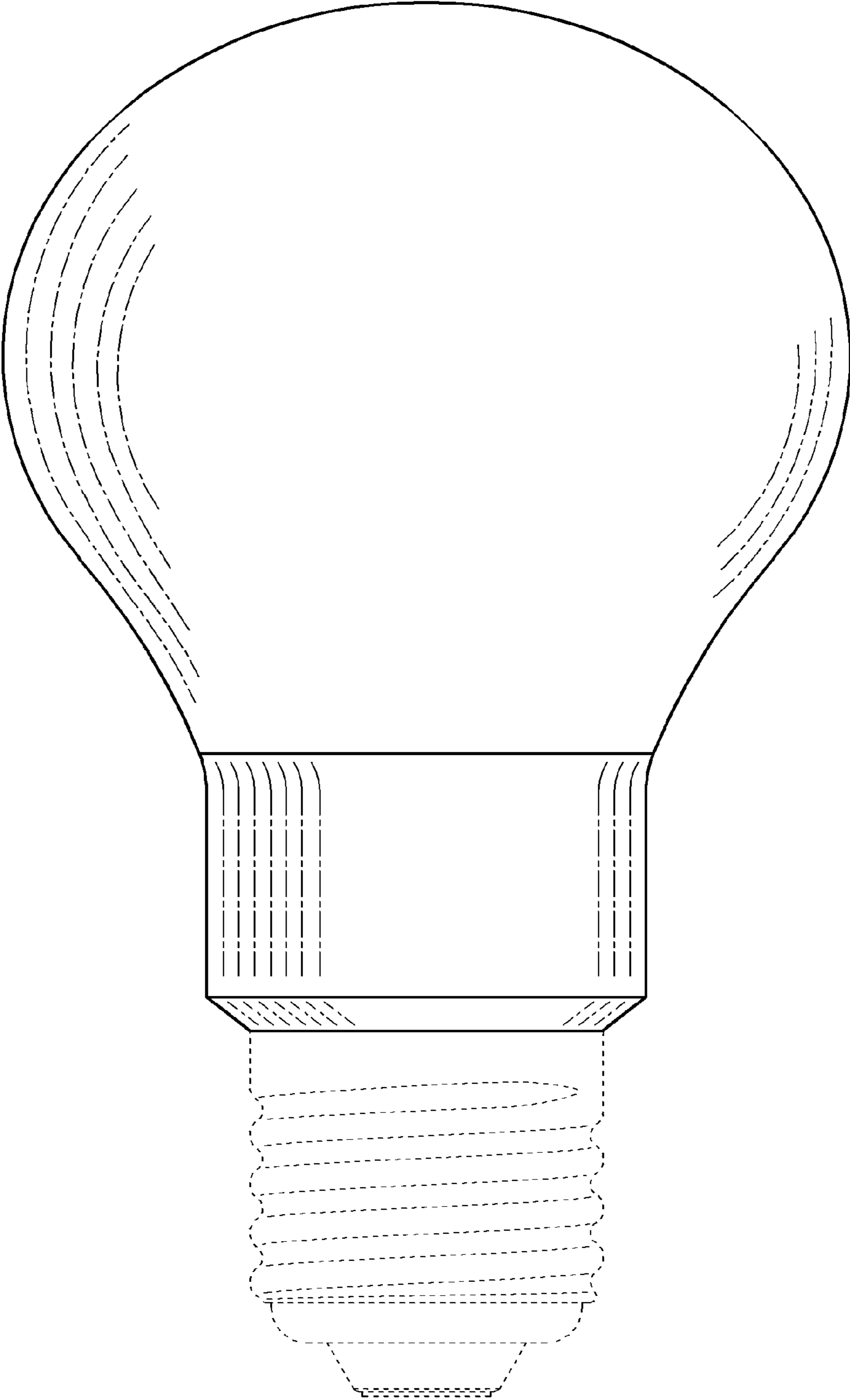


FIG. 2

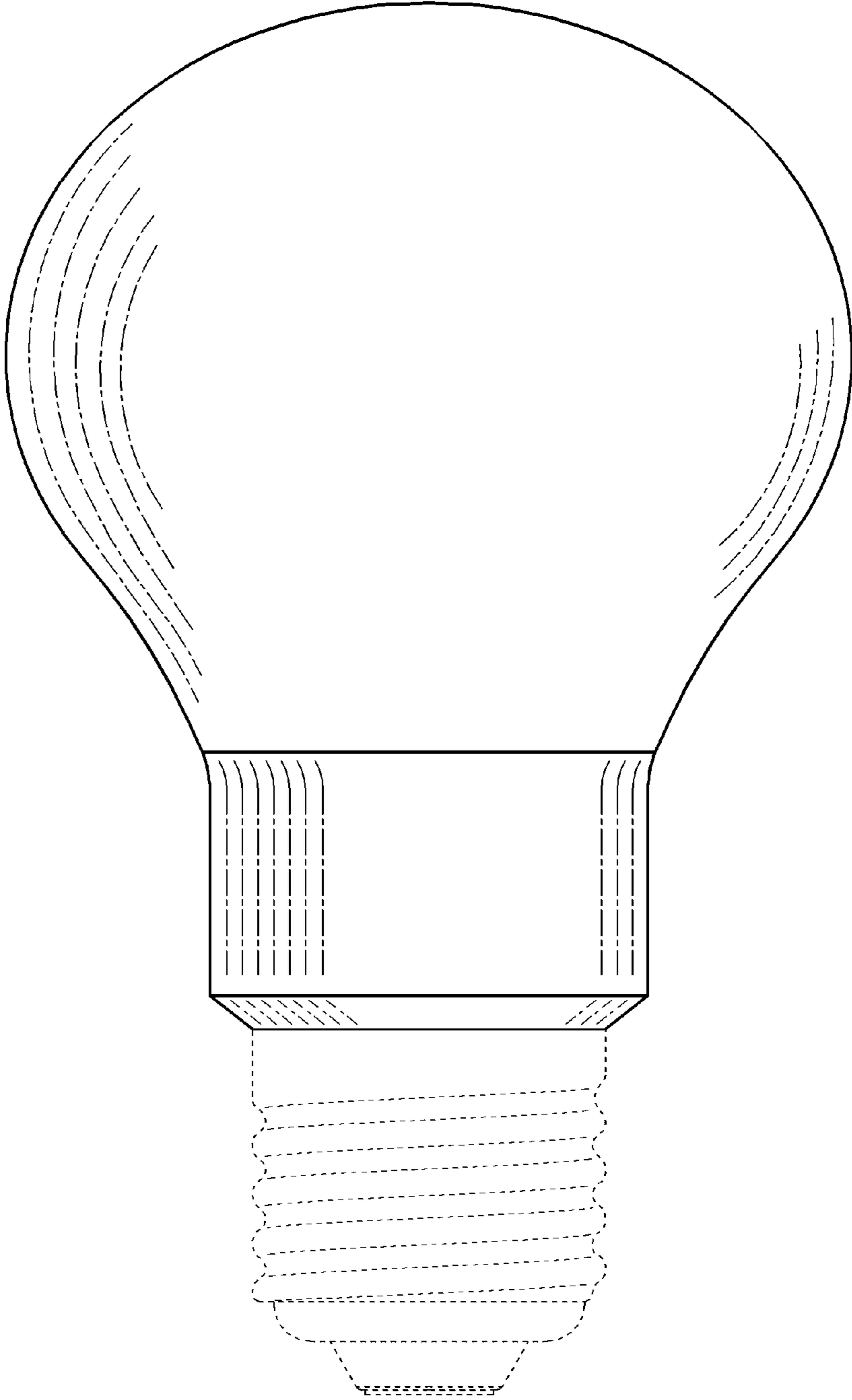


FIG. 3

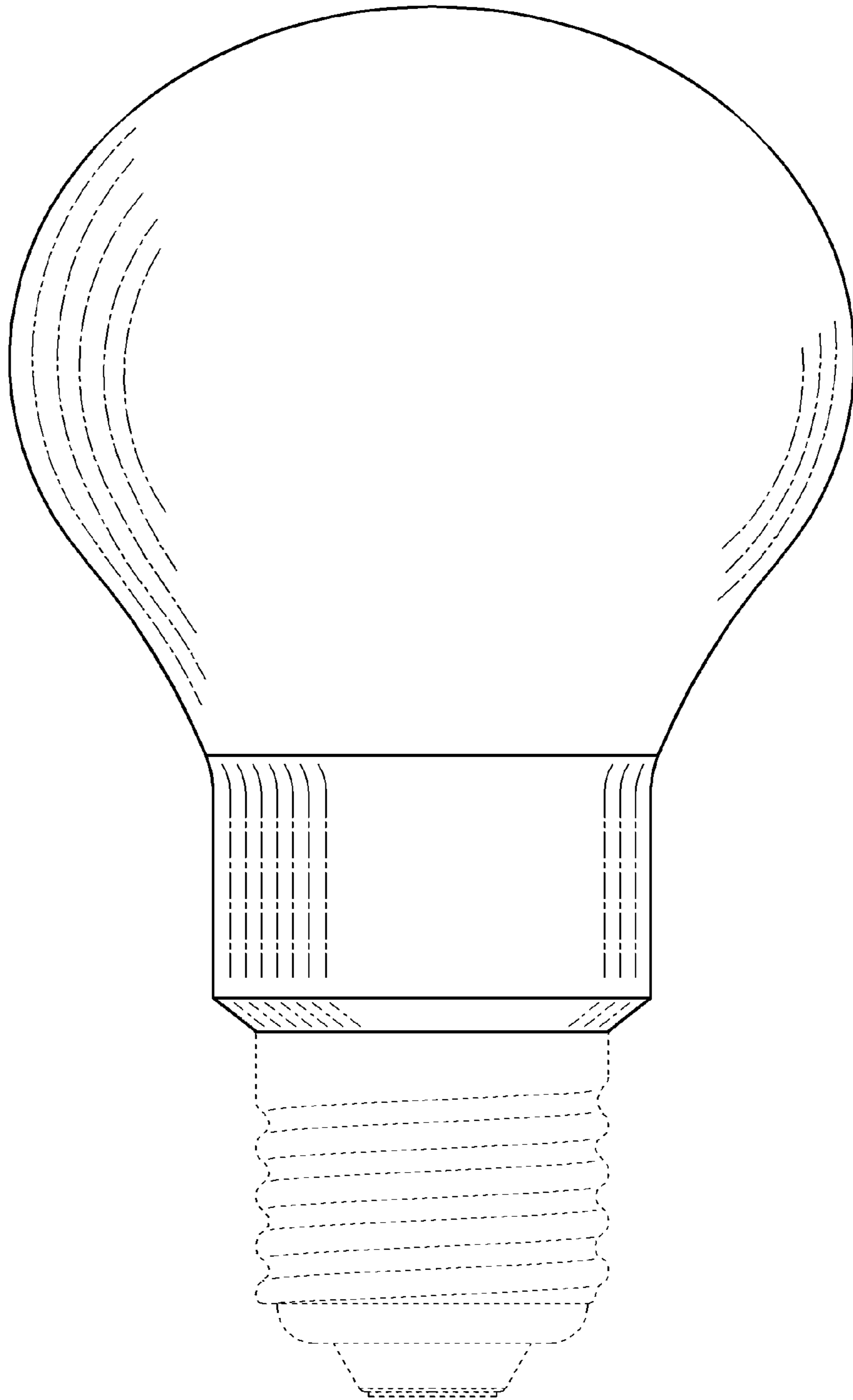


FIG. 4

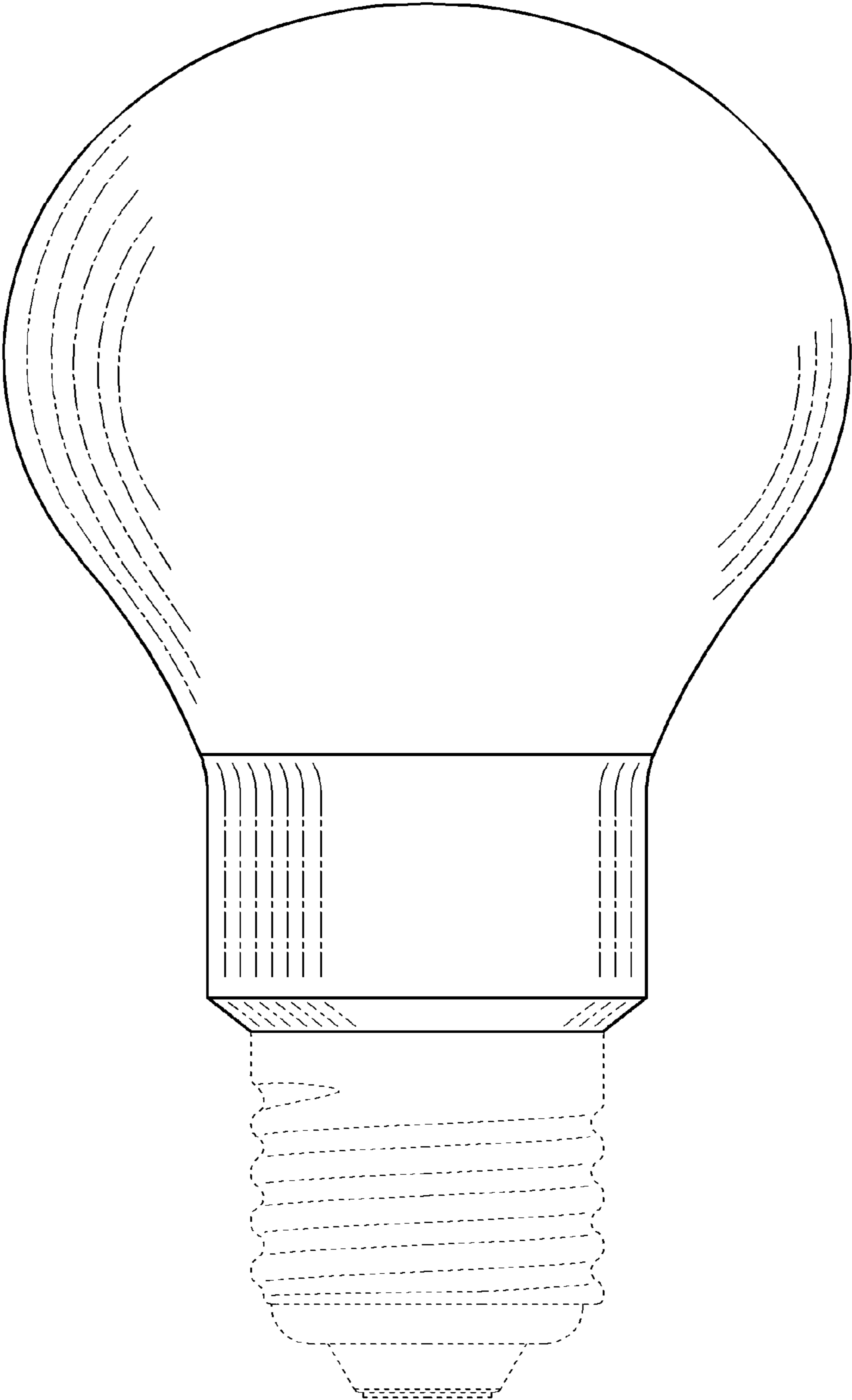


FIG. 5

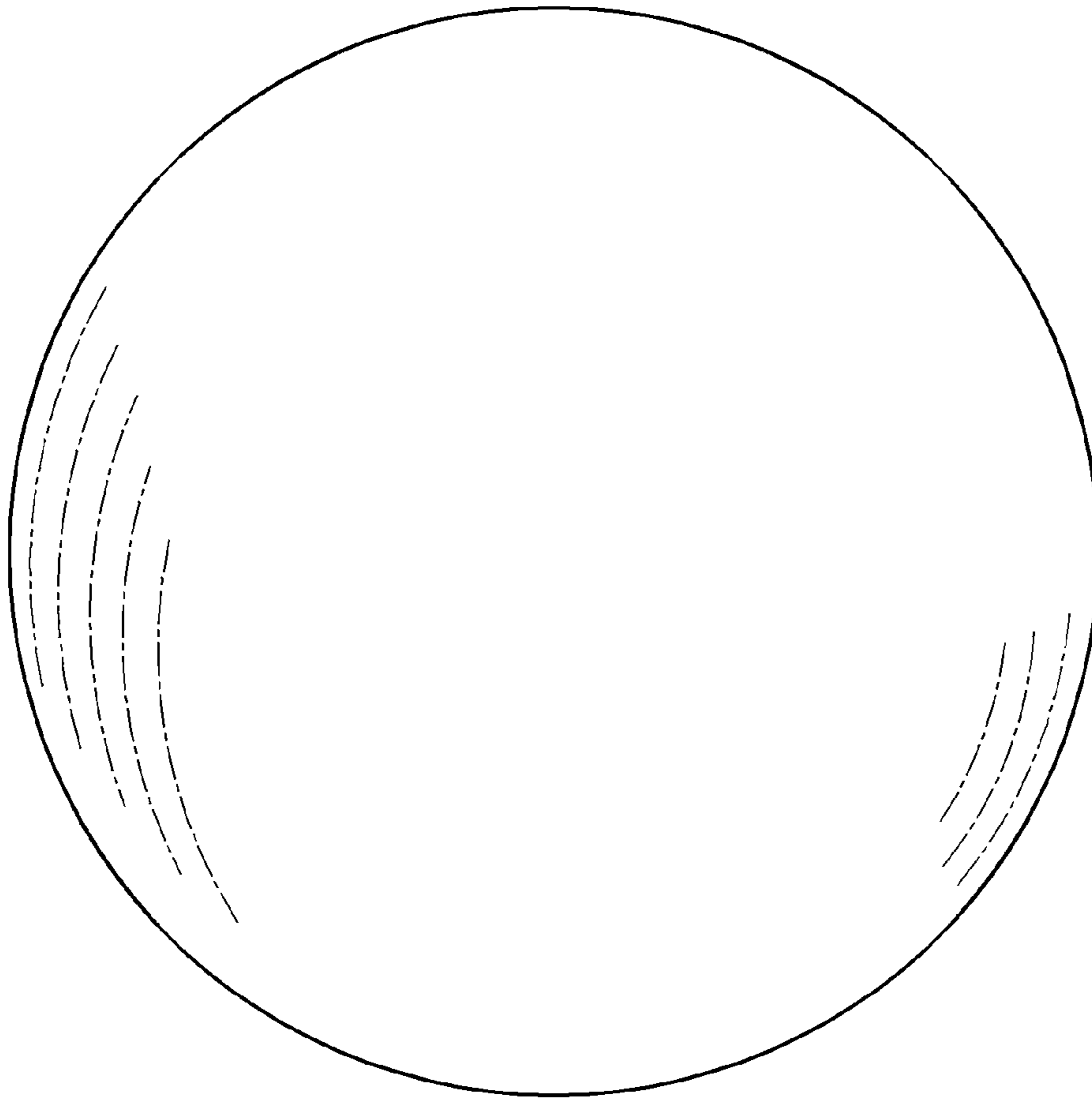


FIG. 6

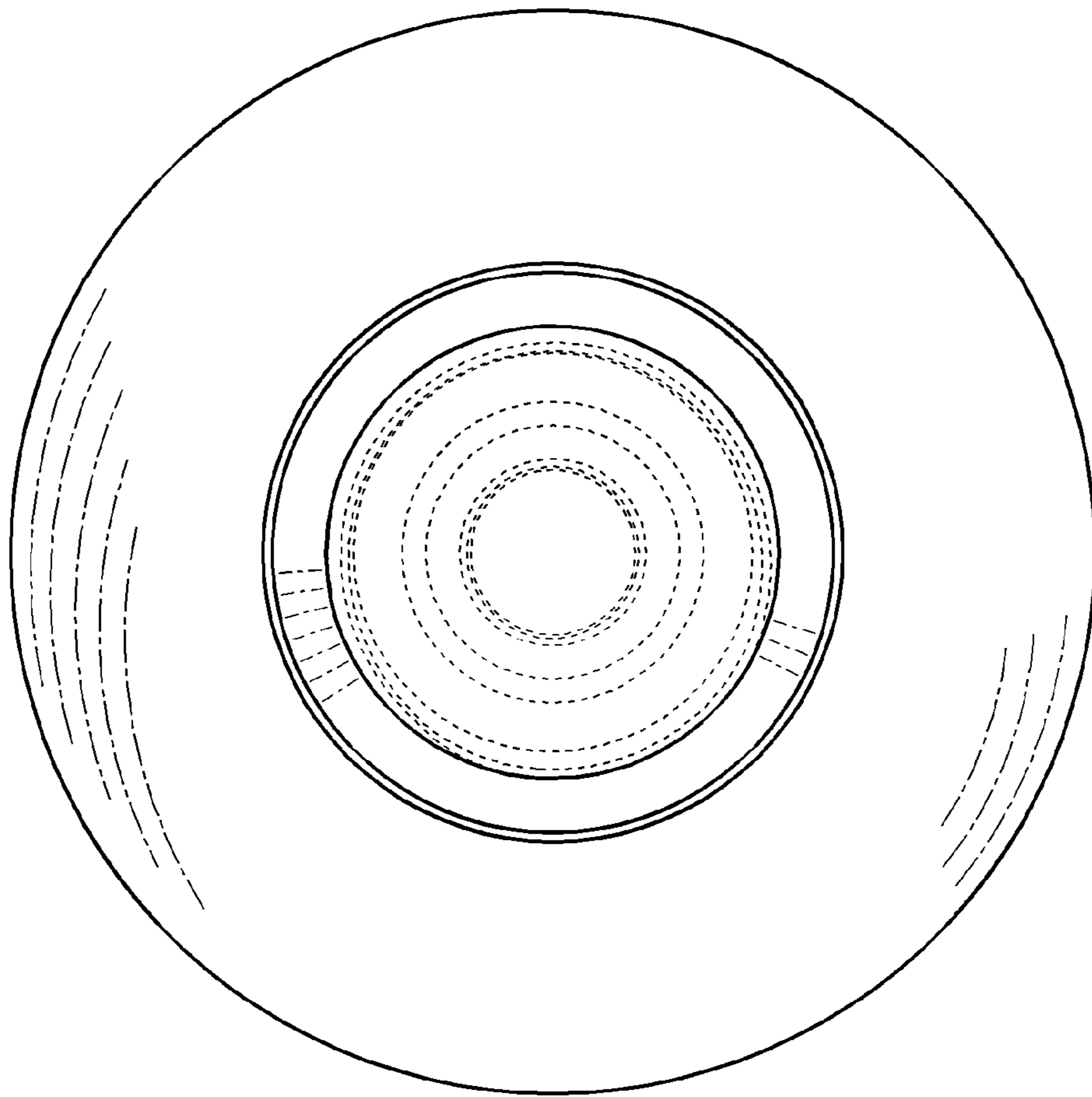


FIG. 7

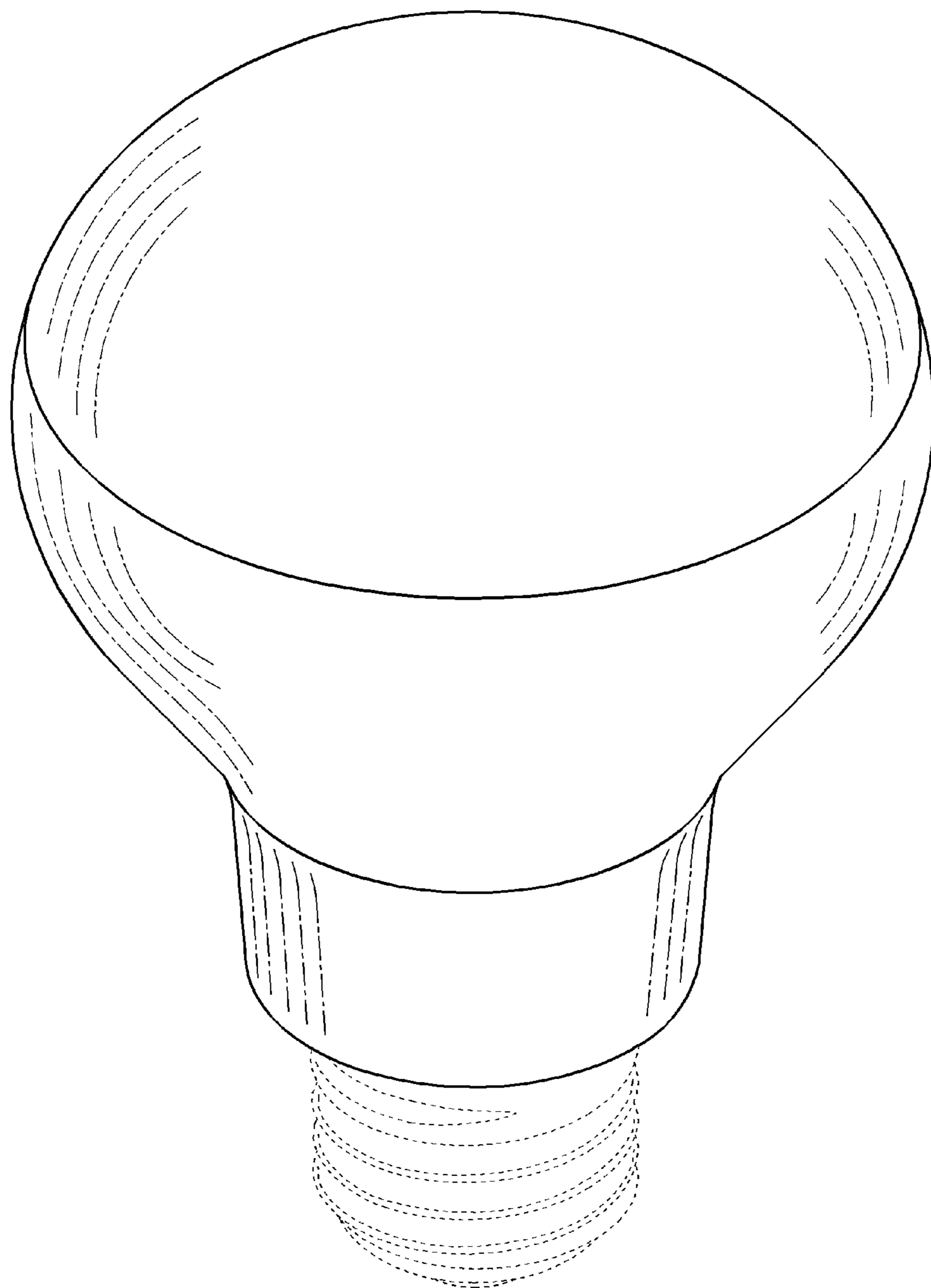


FIG. 8

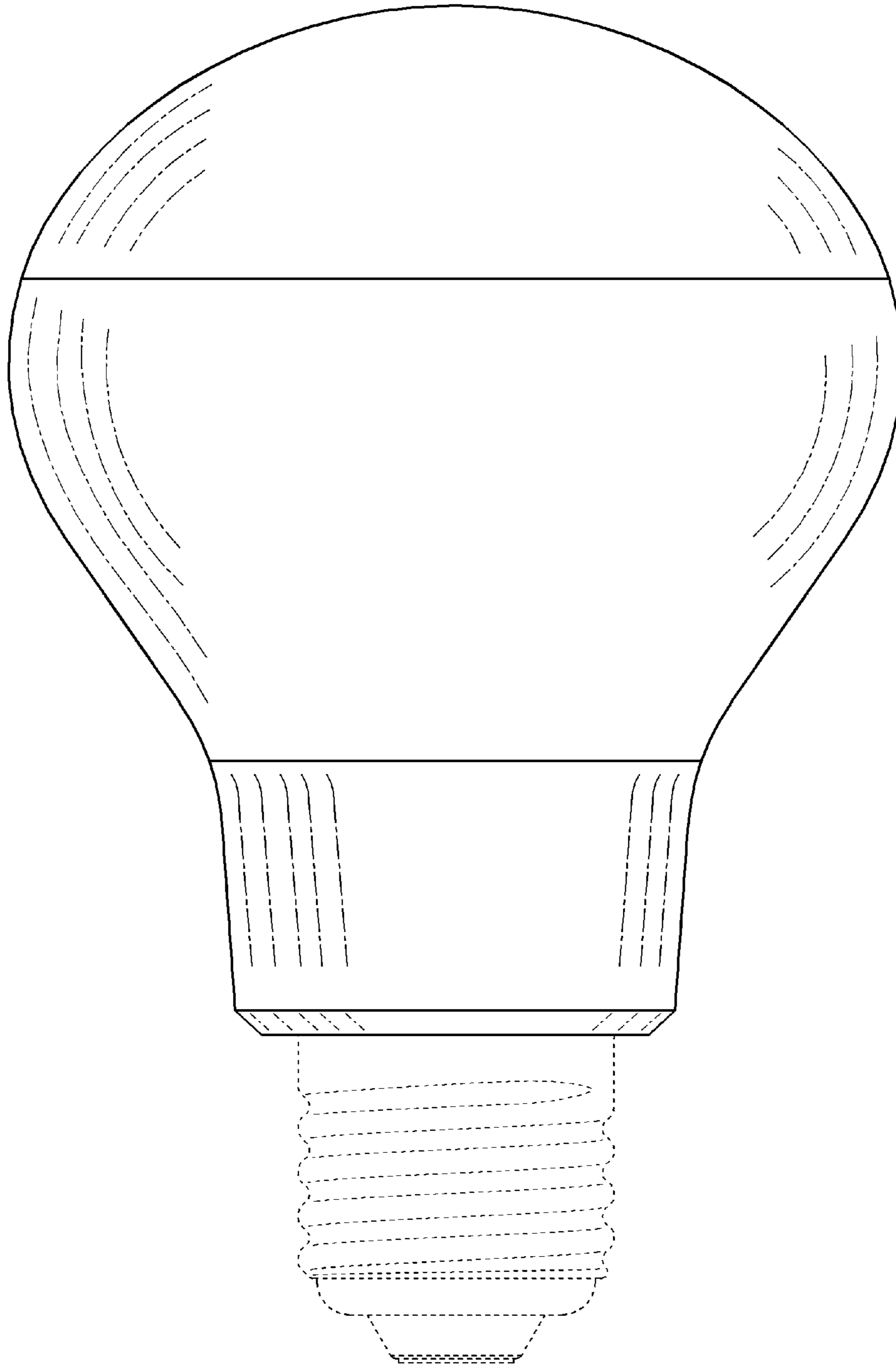


FIG. 9

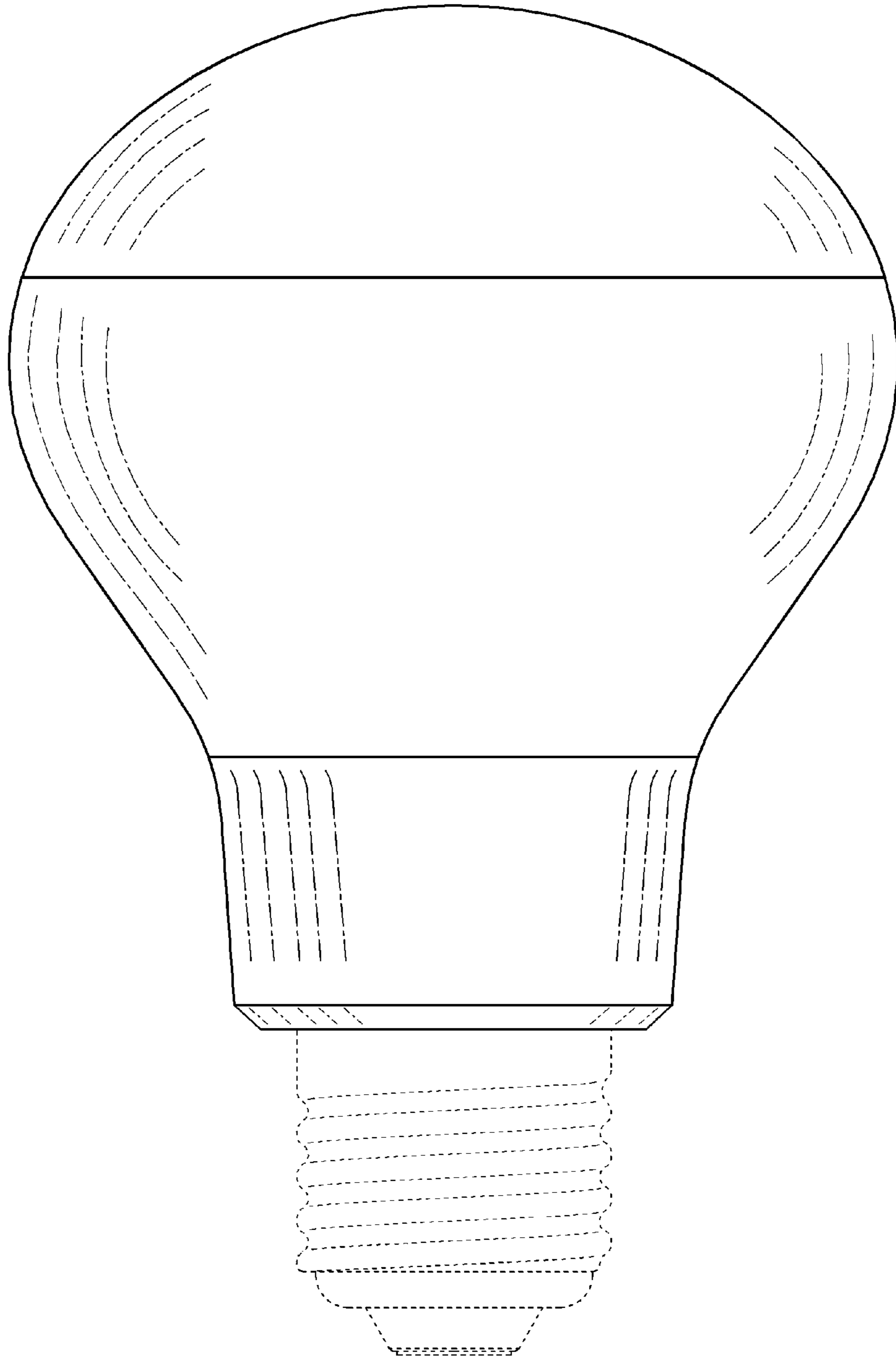


FIG. 10

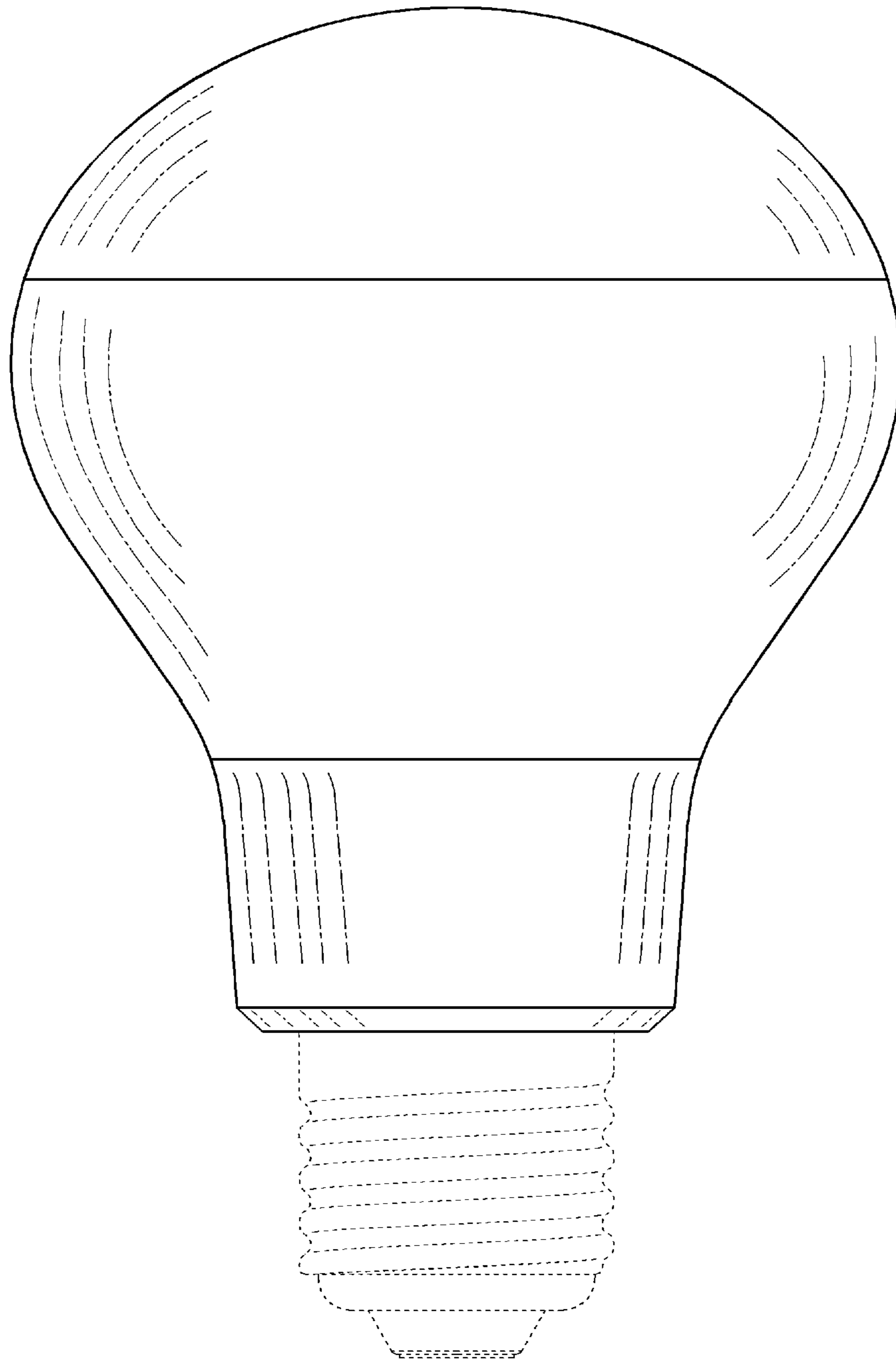


FIG. 11

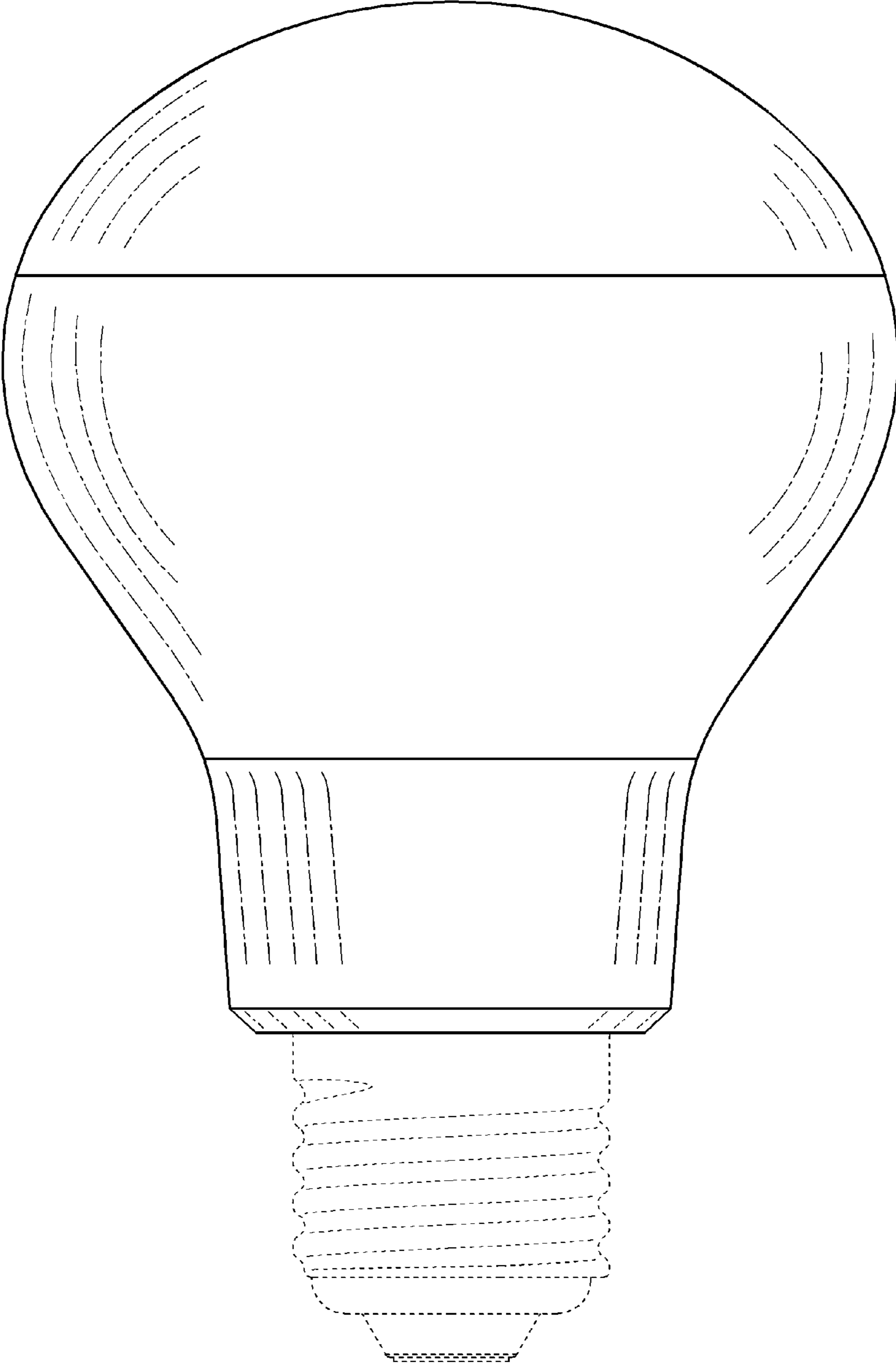


FIG. 12

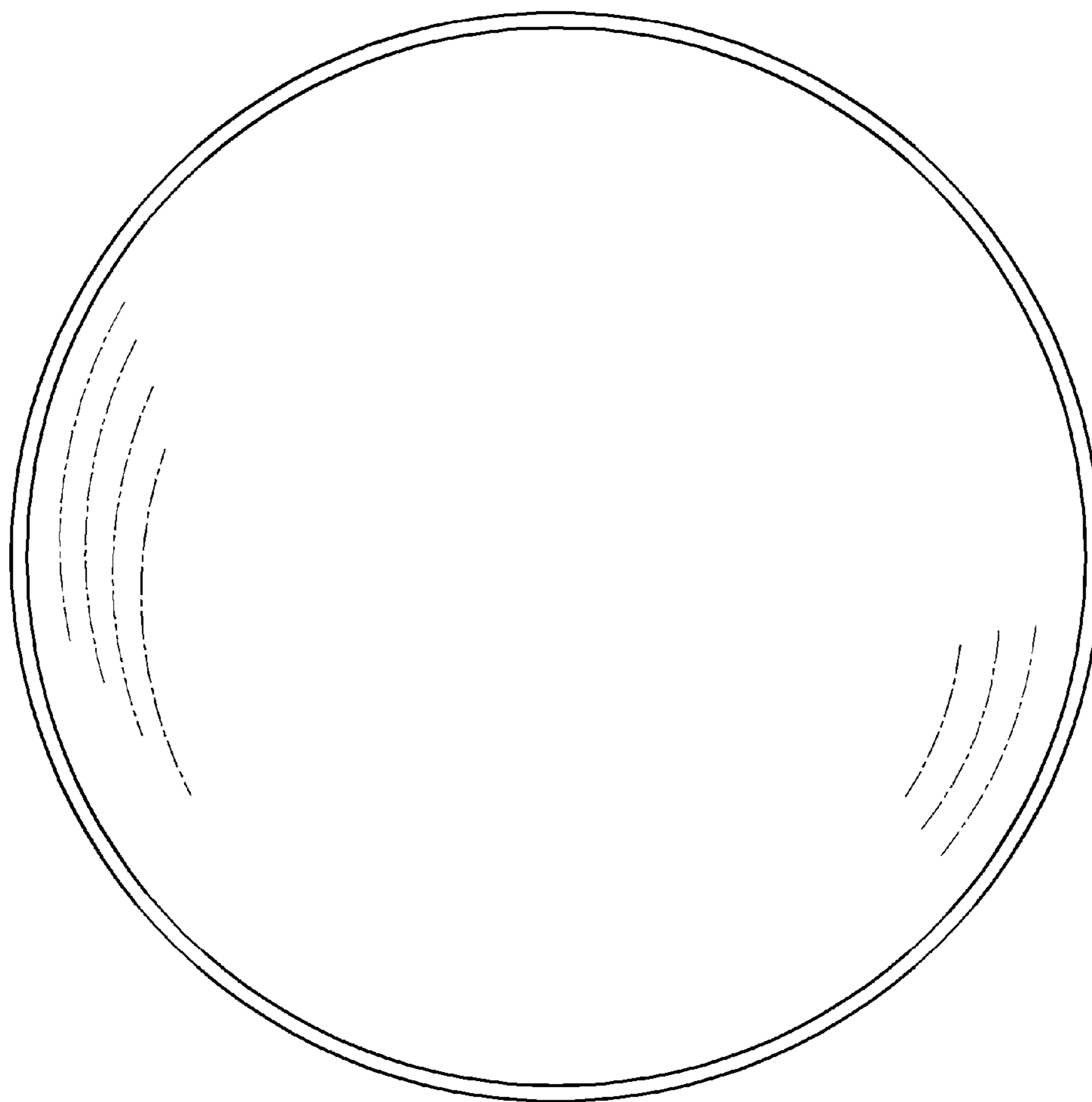


FIG. 13



FIG. 14

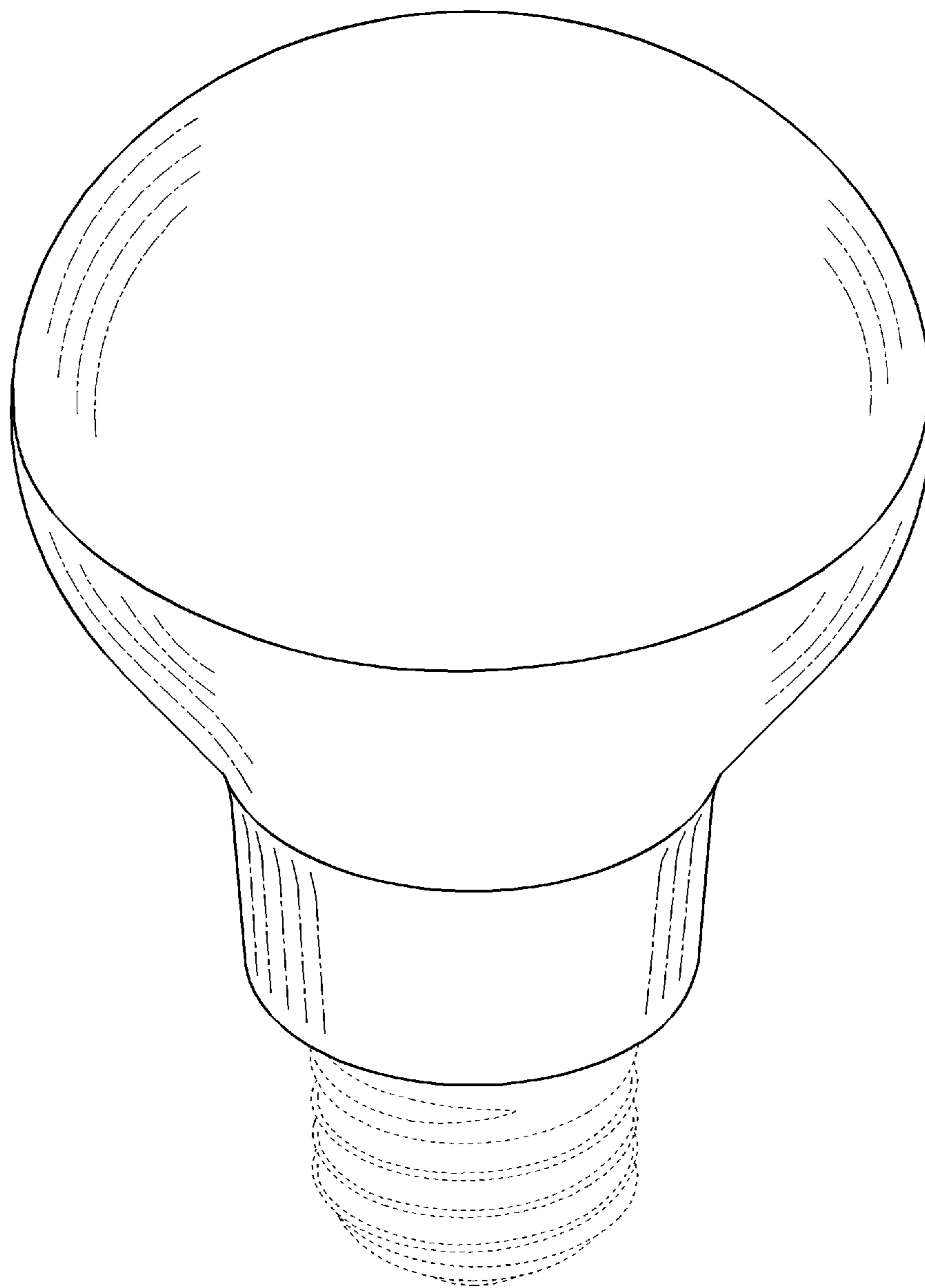


FIG. 15

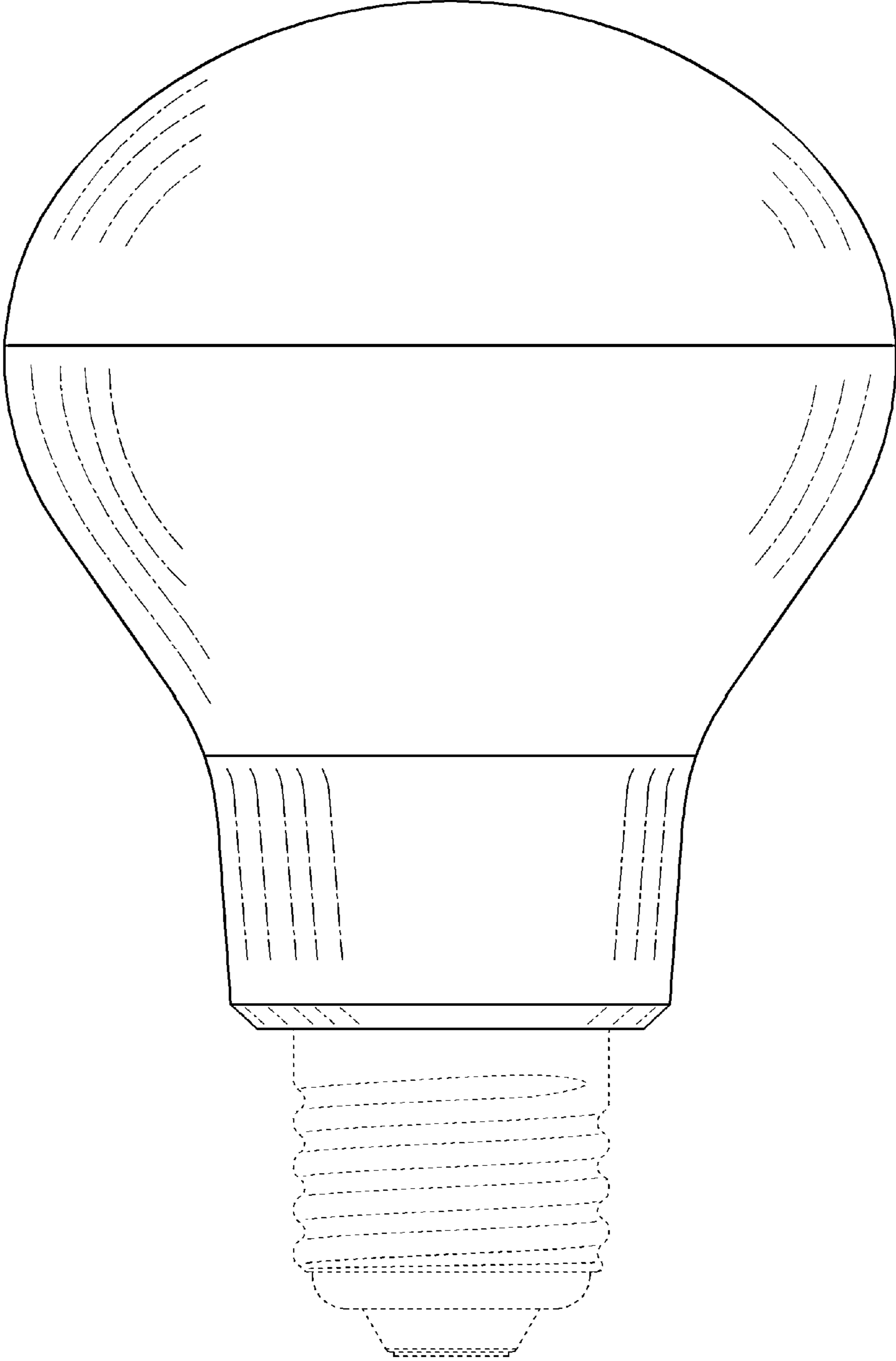


FIG. 16

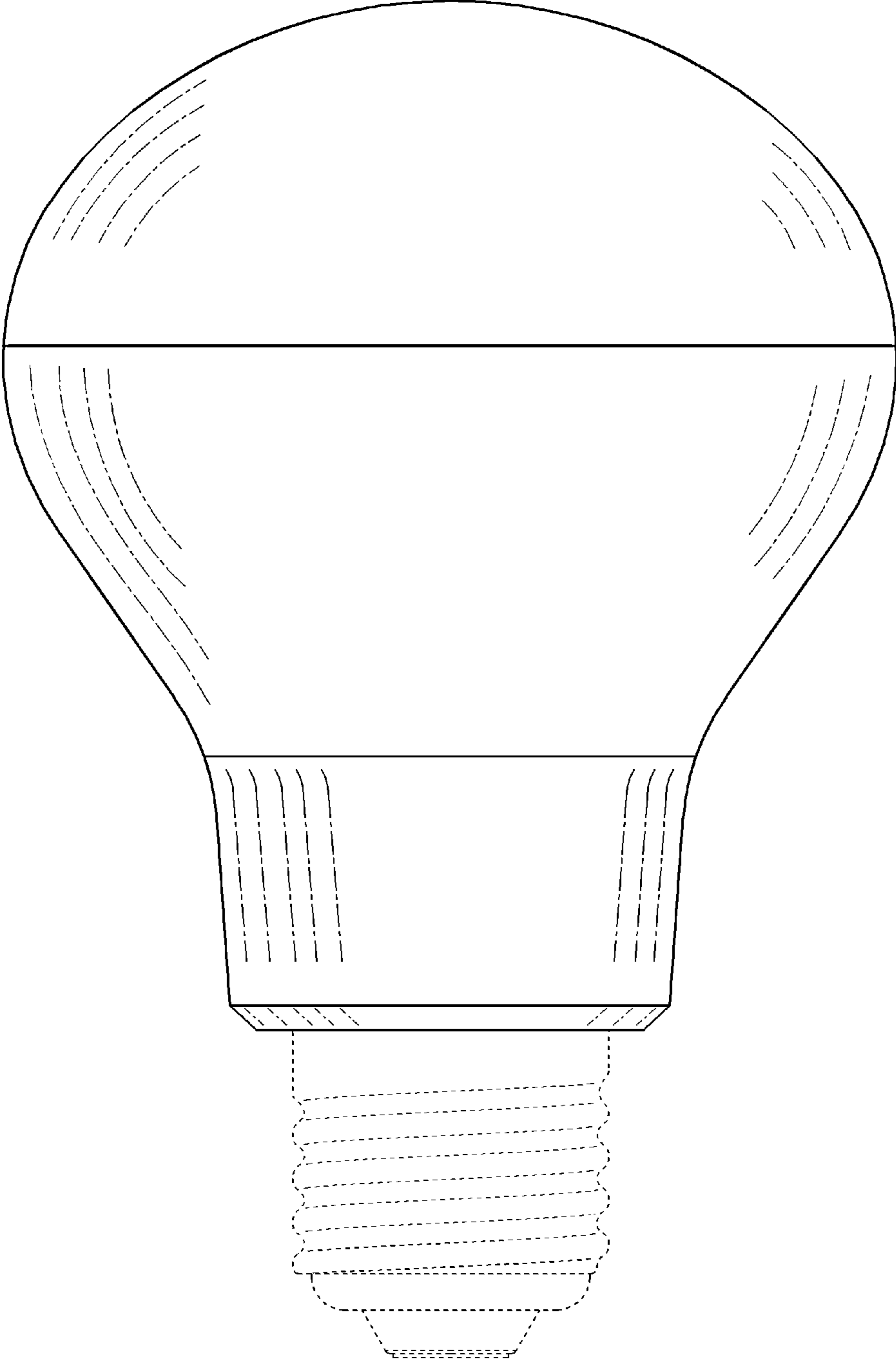


FIG. 17

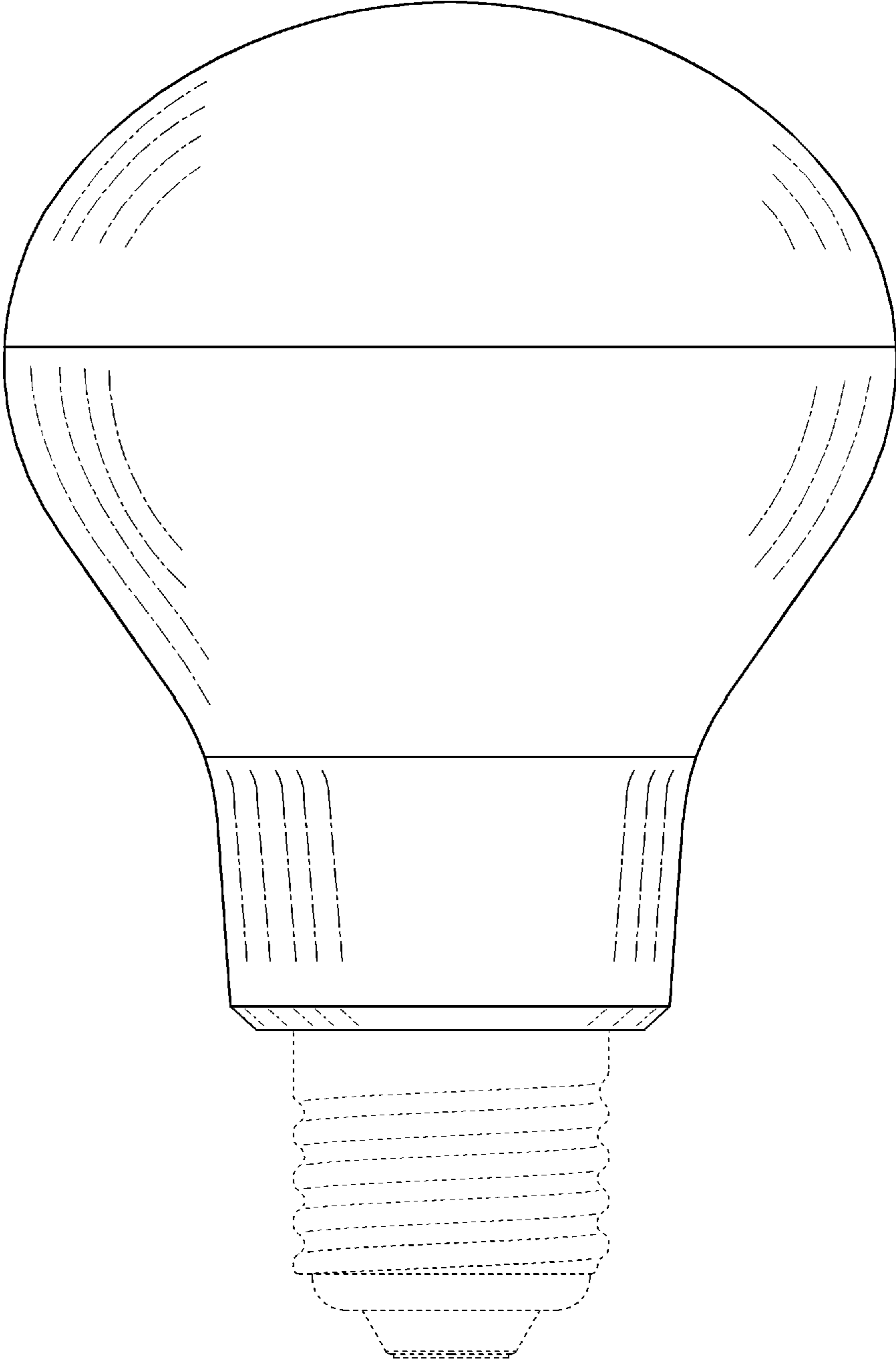


FIG. 18

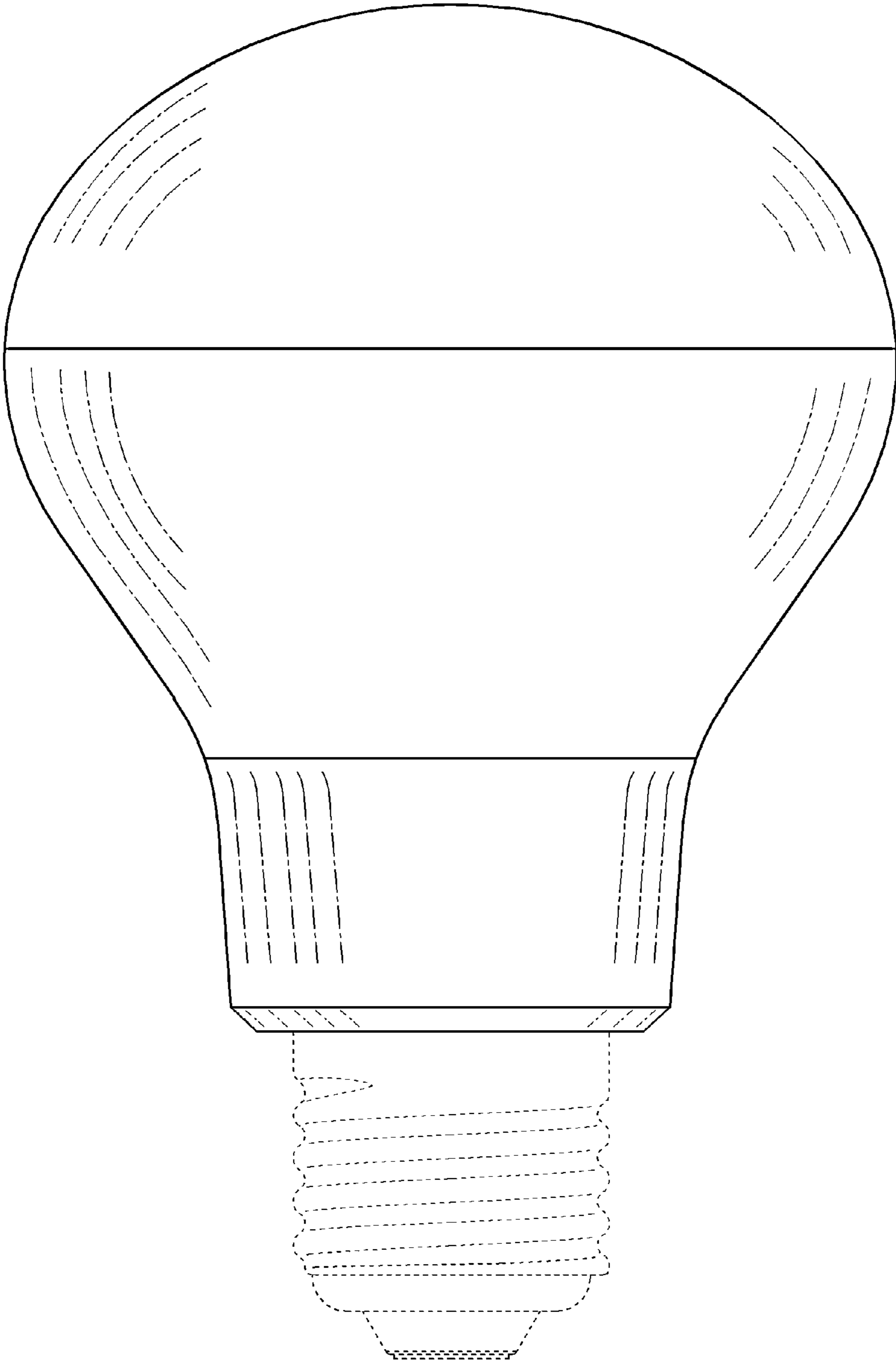


FIG. 19

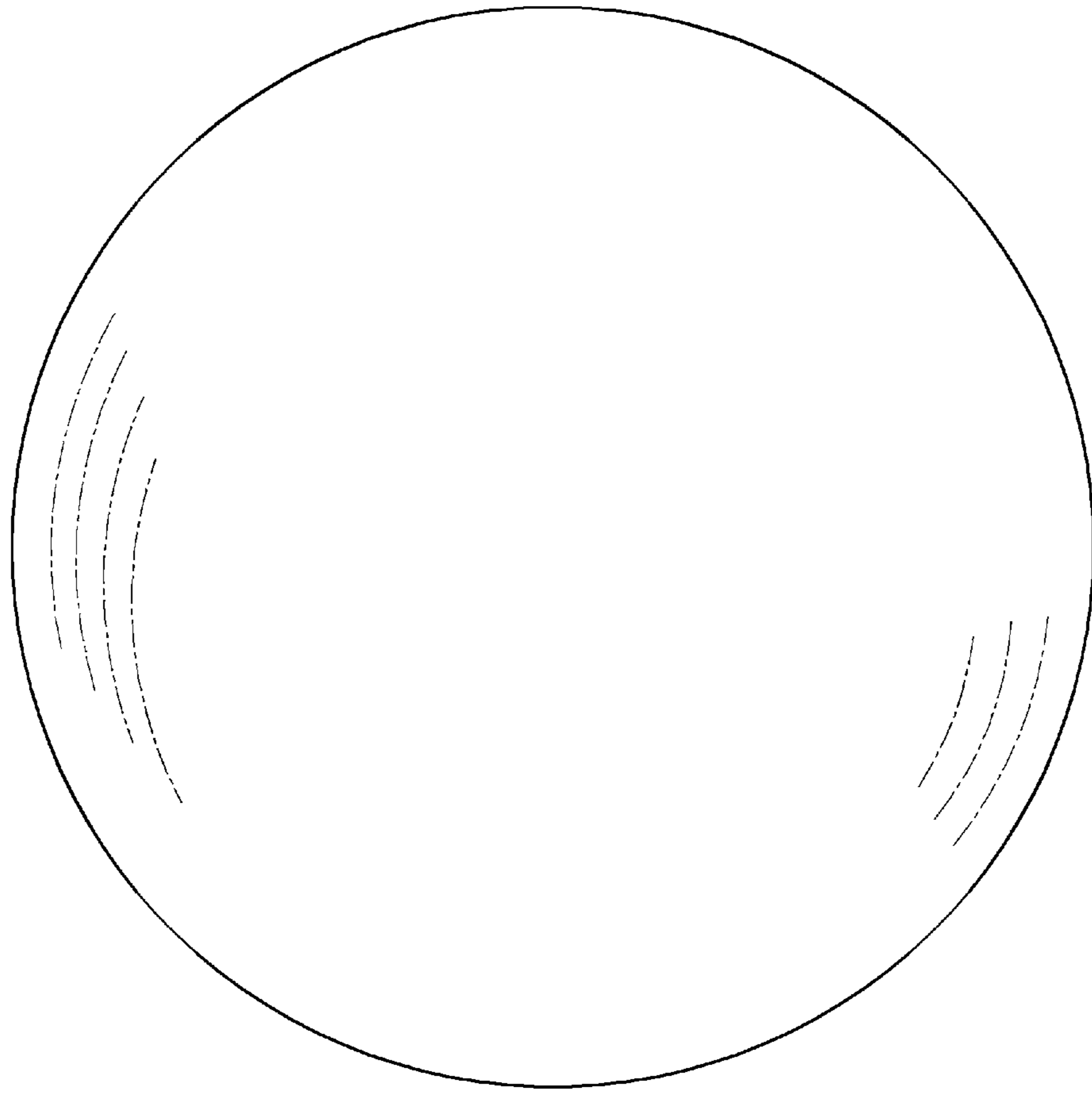


FIG. 20



FIG. 21