



US00D736426S

(12) **United States Design Patent**
Chen et al.

(10) **Patent No.:** **US D736,426 S**

(45) **Date of Patent:** **** Aug. 11, 2015**

(54) **LED MODULE**

(71) Applicant: **Lediamond Opto Corporation**, New Taipei (TW)

(72) Inventors: **Peng-Yu Chen**, New Taipei (TW);
Chung-Ting Tseng, New Taipei (TW);
Mu-Yin Lu, New Taipei (TW);
Hsuan-Hsien Lee, New Taipei (TW)

(73) Assignee: **LEDIAMOND OPTO CORPORATION**, New Taipei (TW)

(**) Term: **14 Years**

(21) Appl. No.: **29/484,911**

(22) Filed: **Mar. 13, 2014**

(30) **Foreign Application Priority Data**

Sep. 16, 2013 (TW) 102306197

(51) **LOC (10) Cl.** **26-04**

(52) **U.S. Cl.**
USPC **D26/1; D13/180; D13/182**

(58) **Field of Classification Search**
USPC D26/24, 1, 2, 3, 74, 76, 113, 120;
D13/180, 182; 362/612, 555, 257, 800,
362/249.02, 237; 313/500; 257/82, 83, 98,
257/99, 433
CPC F21K 9/30; F21K 9/10

See application file for complete search history.

(56) **References Cited**

U.S. PATENT DOCUMENTS

D612,958	S	*	3/2010	Uemoto et al.	D26/24
D658,602	S	*	5/2012	Egawa et al.	D13/180
D663,865	S	*	7/2012	Betsuda et al.	D26/1
D677,228	S	*	3/2013	Miyoshi	D13/180
D685,942	S	*	7/2013	Duquette et al.	D26/74
D703,841	S	*	4/2014	Feng et al.	D26/1
D708,595	S	*	7/2014	Kirihara et al.	D13/180
8,890,203	B2	*	11/2014	Kobayakawa	257/99
D727,859	S	*	4/2015	Freeman	D13/180
2013/0049058	A1	*	2/2013	Kobayakawa	257/98
2015/0009667	A1	*	1/2015	Chen et al.	362/237

* cited by examiner

Primary Examiner — Ian Simmons

Assistant Examiner — Harold Blackwell, II

(74) *Attorney, Agent, or Firm* — Chun-Ming Shih; HDLS IPR Services

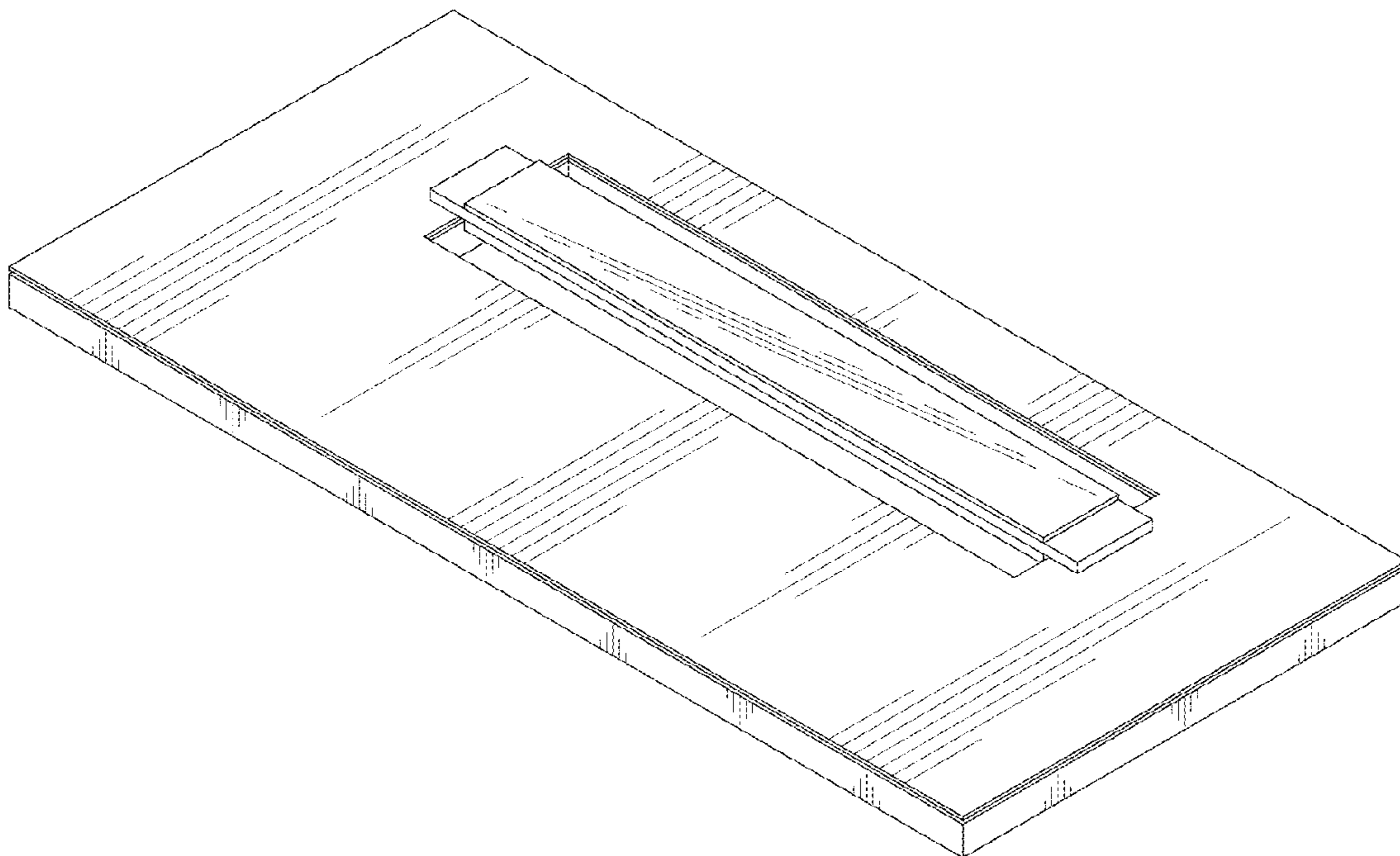
(57) **CLAIM**

The ornamental design for a LED module, as shown and described.

DESCRIPTION

FIG. 1 is a perspective view of a LED module showing my new design;
FIG. 2 is a front view thereof;
FIG. 3 is a rear view thereof;
FIG. 4 is a left side view thereof;
FIG. 5 is a right side view thereof;
FIG. 6 is a top view thereof;
FIG. 7 is a bottom view thereof; and,
FIG. 8 is another perspective view showing the LED module.

1 Claim, 4 Drawing Sheets



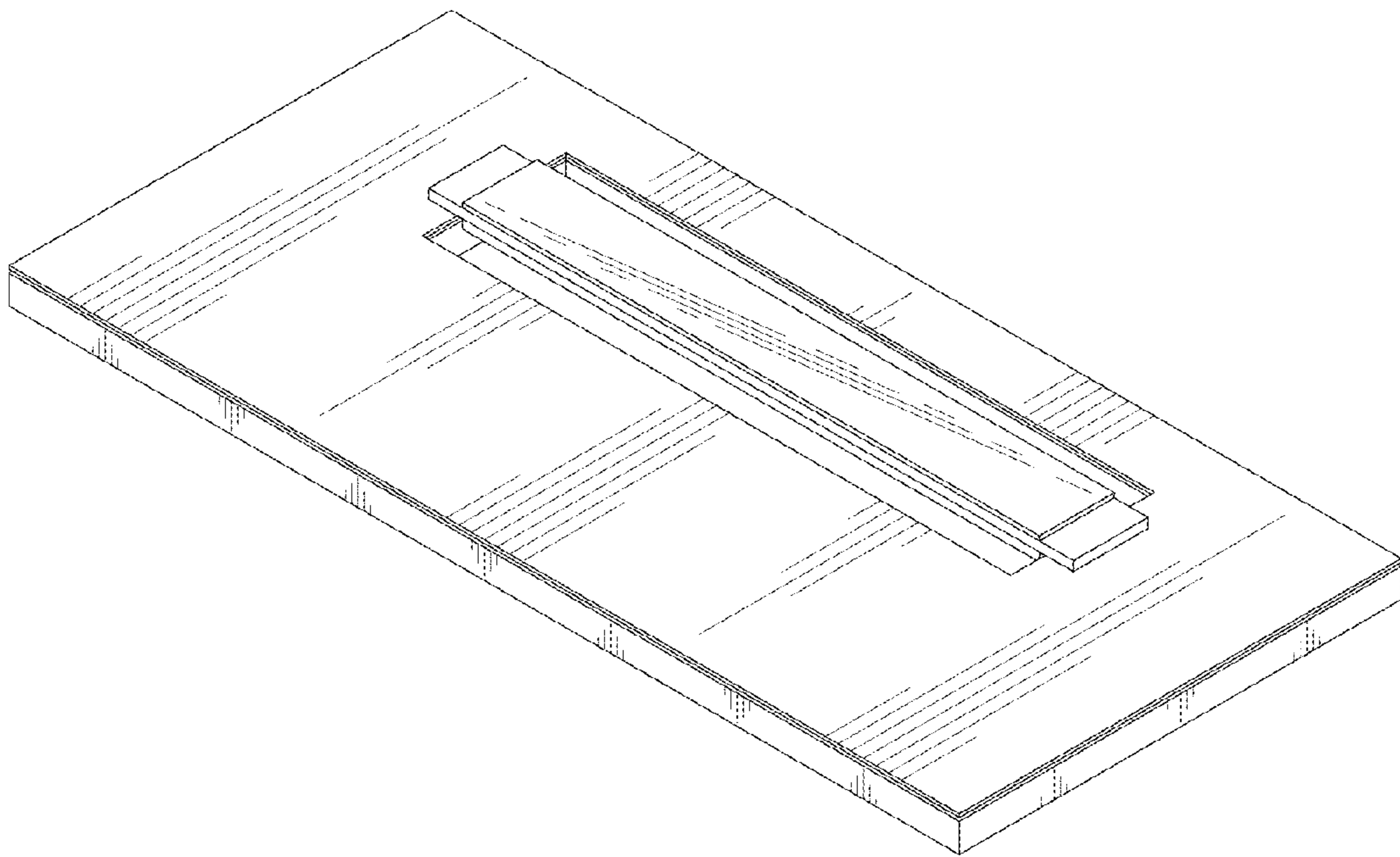


FIG.1

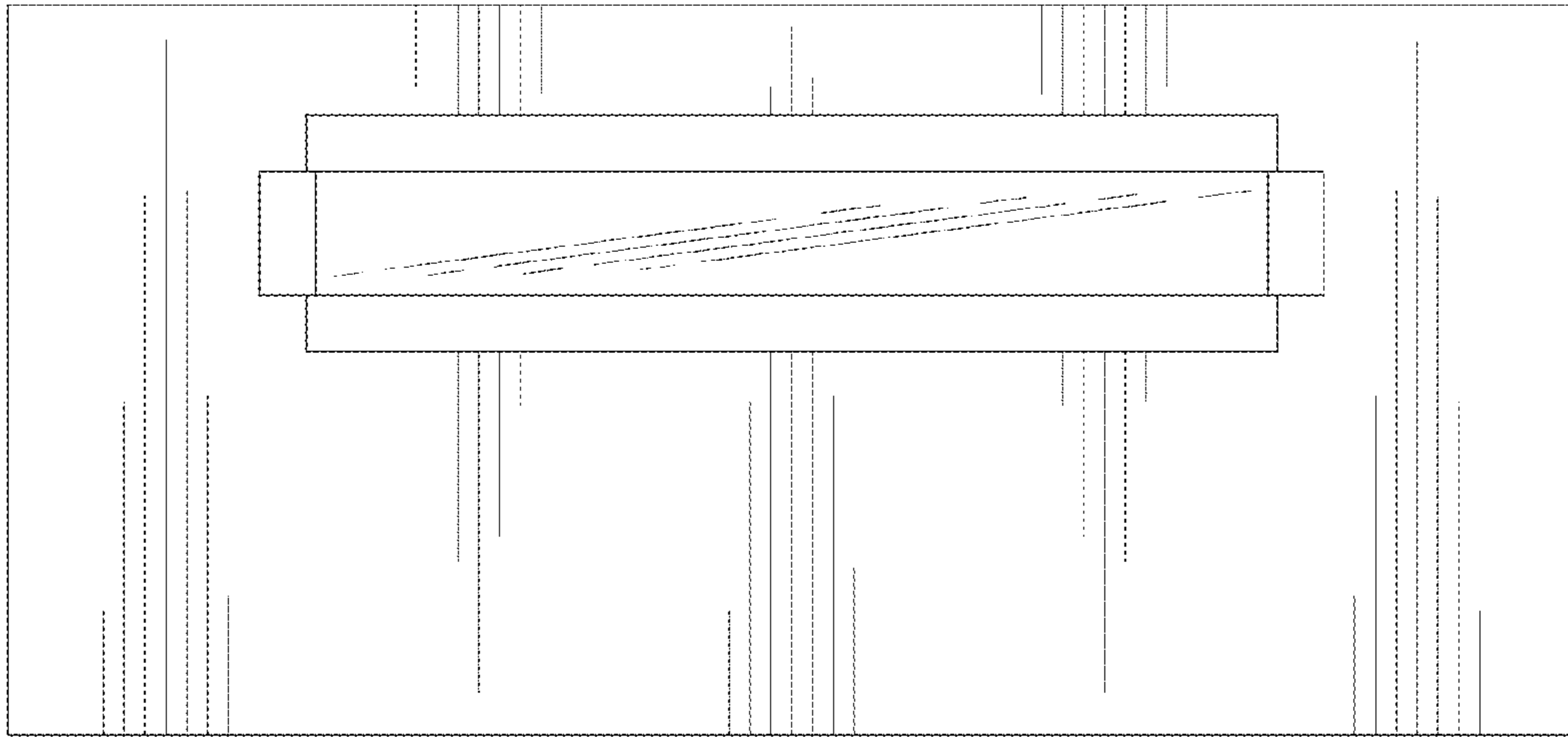


FIG. 2

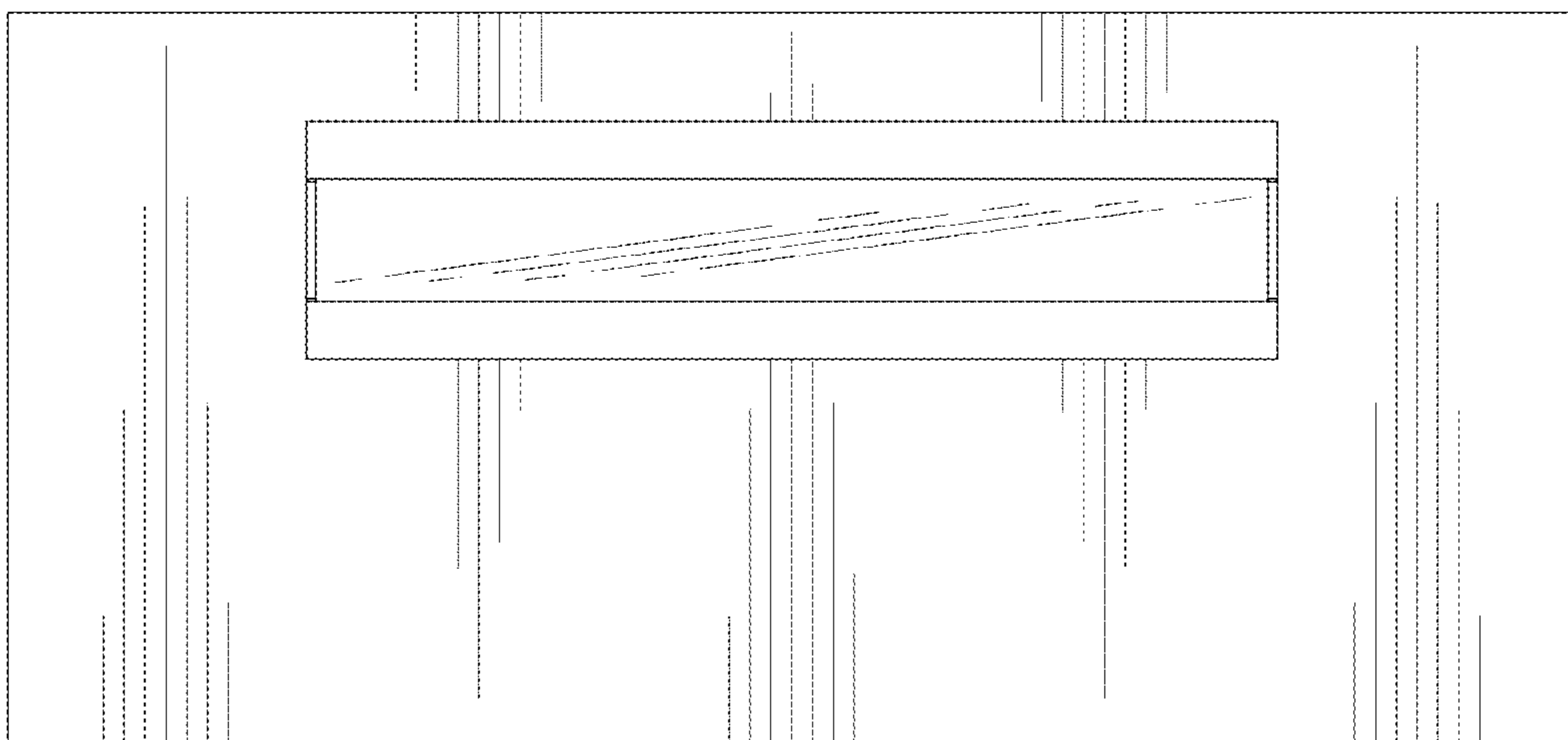


FIG. 3

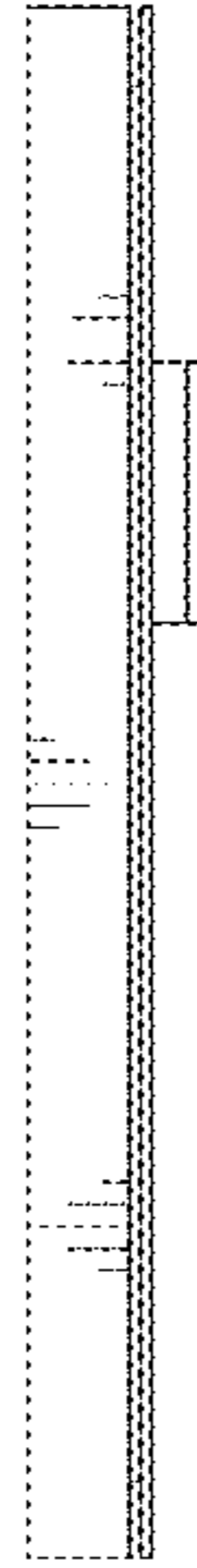


FIG.4

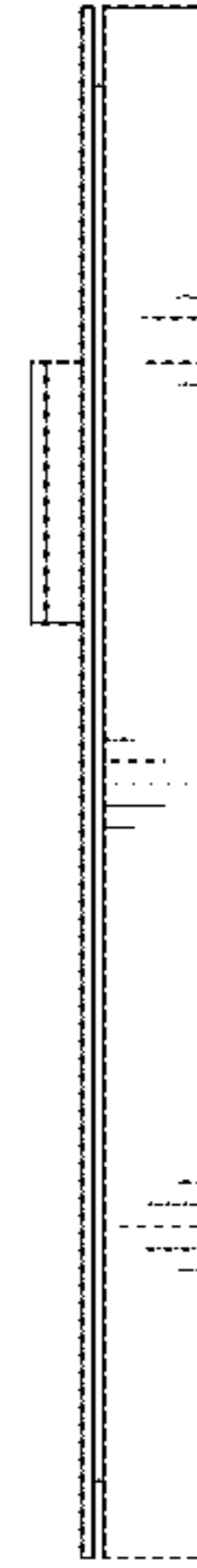


FIG.5

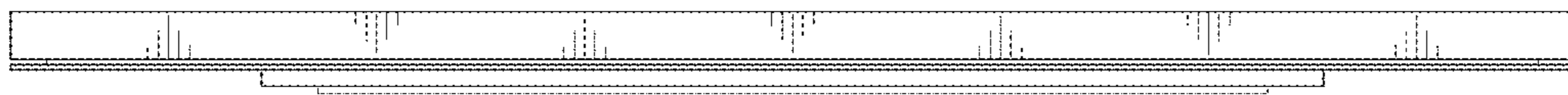


FIG.6

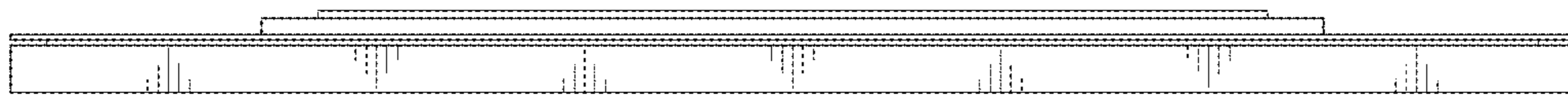


FIG.7

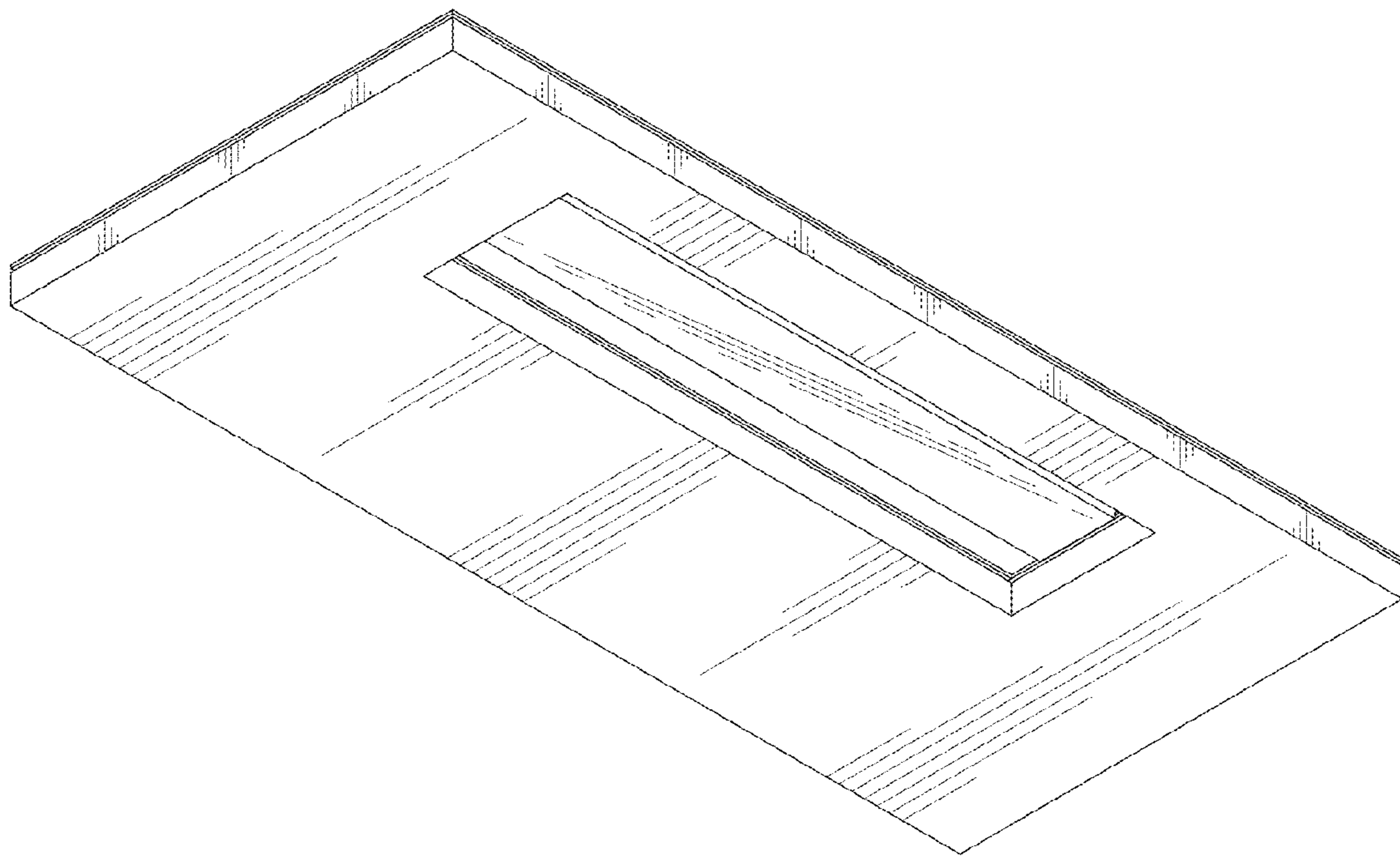


FIG.8