



US00D736420S

(12) **United States Design Patent**
Somerfield

(10) **Patent No.:** **US D736,420 S**

(45) **Date of Patent:** **** Aug. 11, 2015**

(54) **ANCHORING DEVICE**

(56) **References Cited**

(71) Applicant: **GRIPPLE LIMITED**, Sheffield (GB)

U.S. PATENT DOCUMENTS

(72) Inventor: **Alan Somerfield**, Sheffield (GB)

4,286,496	A *	9/1981	Harris	411/441
D297,708	S *	9/1988	McCoy	D8/385
2005/0252124	A1 *	11/2005	Bergman	52/296
2013/0247504	A1 *	9/2013	Pelc et al.	52/704
2014/0017026	A1 *	1/2014	Cheng	411/108
2014/0133904	A1 *	5/2014	Somerfield	403/350

(73) Assignee: **GRIPPLE LIMITED** (GB)

(**) Term: **14 Years**

* cited by examiner

(21) Appl. No.: **29/480,941**

Primary Examiner — Michael A Pratt

(22) Filed: **Jan. 30, 2014**

(74) *Attorney, Agent, or Firm* — Clark Hill PLC

(30) **Foreign Application Priority Data**

(57) **CLAIM**

Jan. 9, 2014 (EM) 002381939

The ornamental design for an anchoring device, as shown and described.

(51) **LOC (10) Cl.** **99-00**

DESCRIPTION

(52) **U.S. Cl.**

USPC **D25/199**

(58) **Field of Classification Search**

USPC D25/133, 199; D8/349, 352, 356, 367,
D8/382, 385; 248/155, 205.2, 530;
411/166

CPC F16B 1/00; F16B 2/00; F16B 23/00;
F16B 23/0007; F16B 23/0053; F16B 23/0061;
F16B 23/0069; F16B 23/0076; F16B 23/0084;
F16B 23/0092

FIG. 1 is a top view of the anchoring device;
FIG. 2 is a bottom view thereof;
FIG. 3 is a front view thereof;
FIG. 4 is a back view thereof;
FIG. 5 is a left side view thereof;
FIG. 6 is a right side view thereof; and,
FIG. 7 is an isometric view thereof.
The broken line showing of aspects of the anchoring device in FIG. 2 is included for the purpose of illustrating environment and forms no part of the claimed design.

See application file for complete search history.

1 Claim, 7 Drawing Sheets

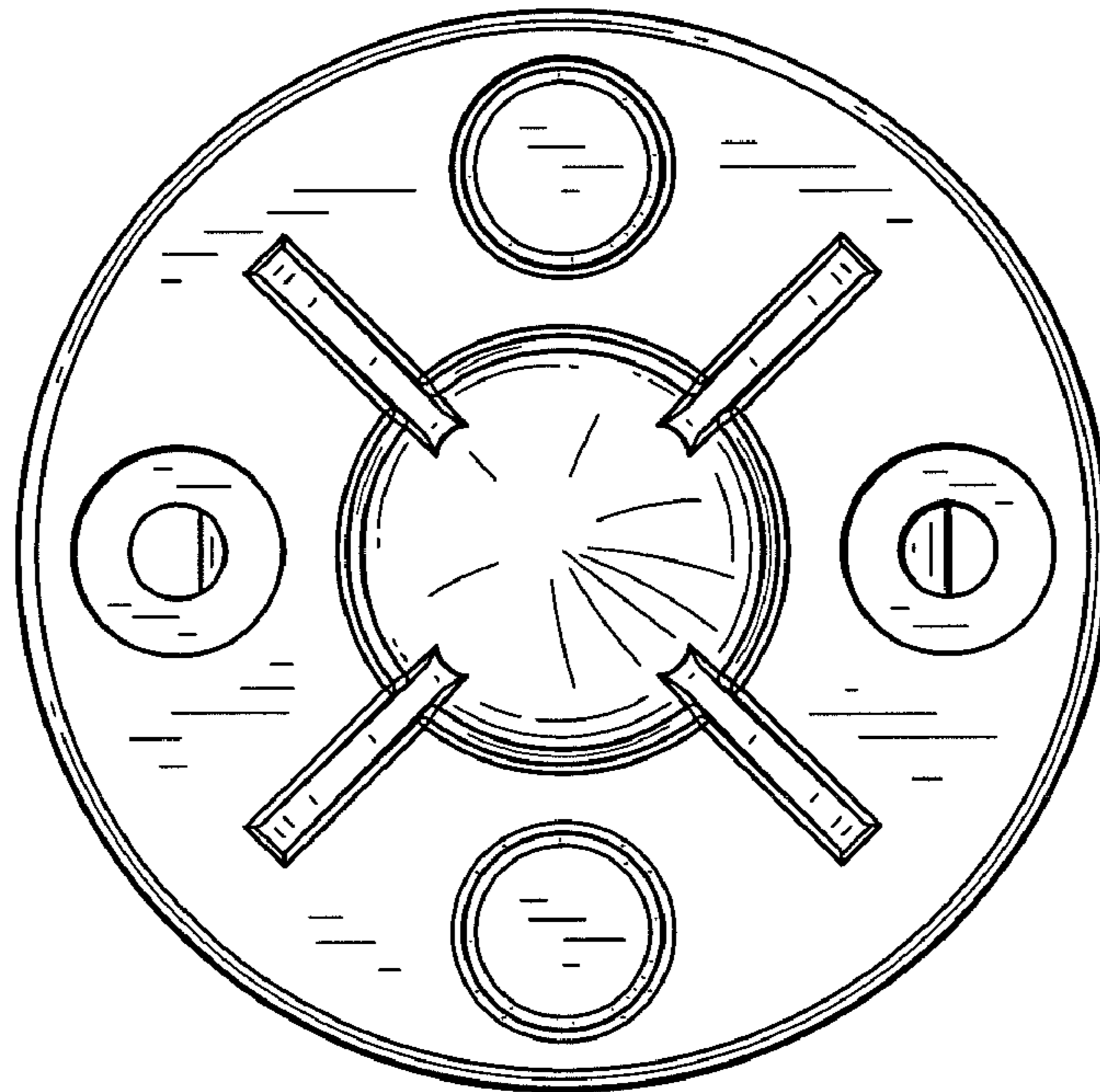


FIG. 1

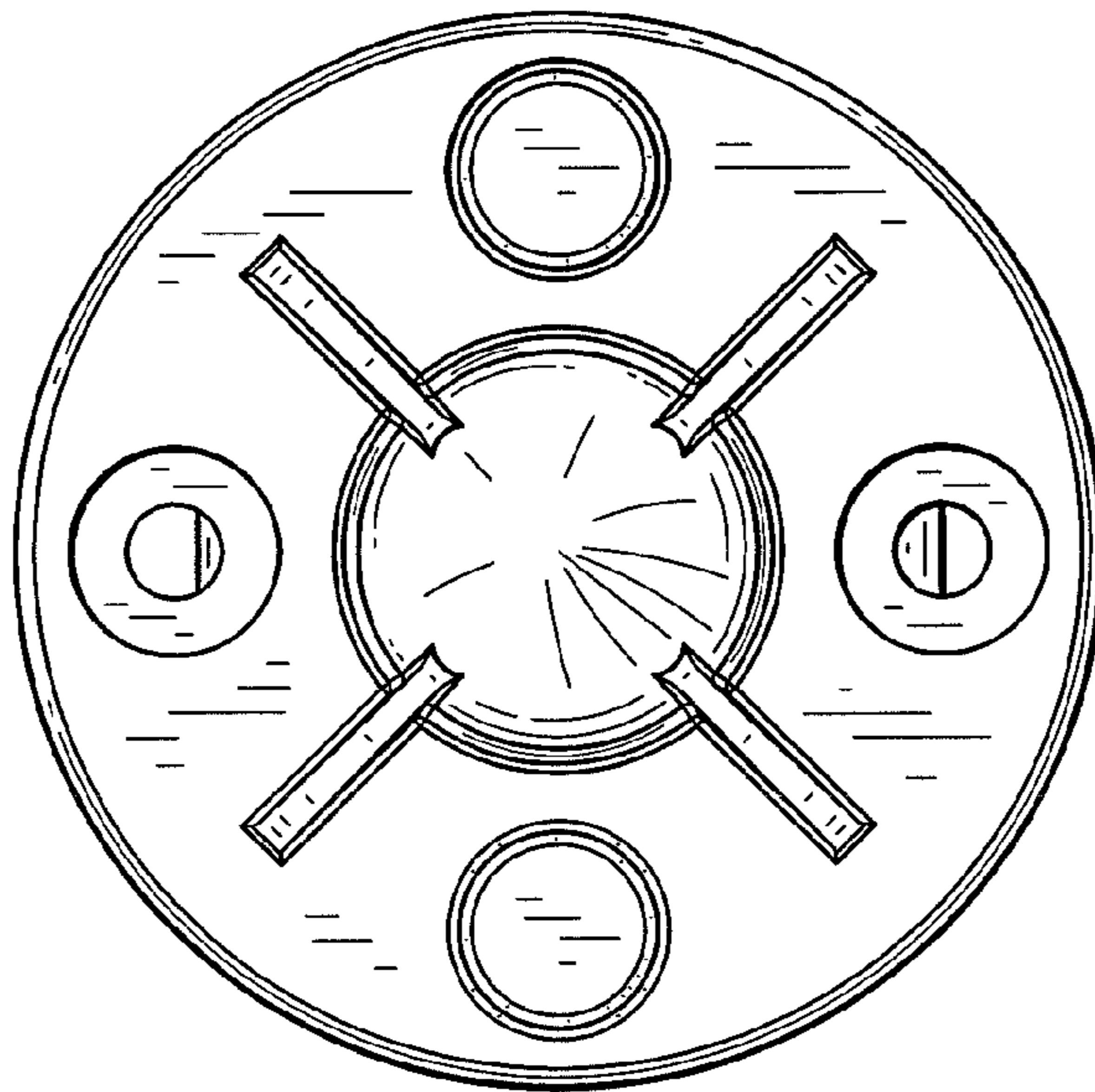


FIG. 2

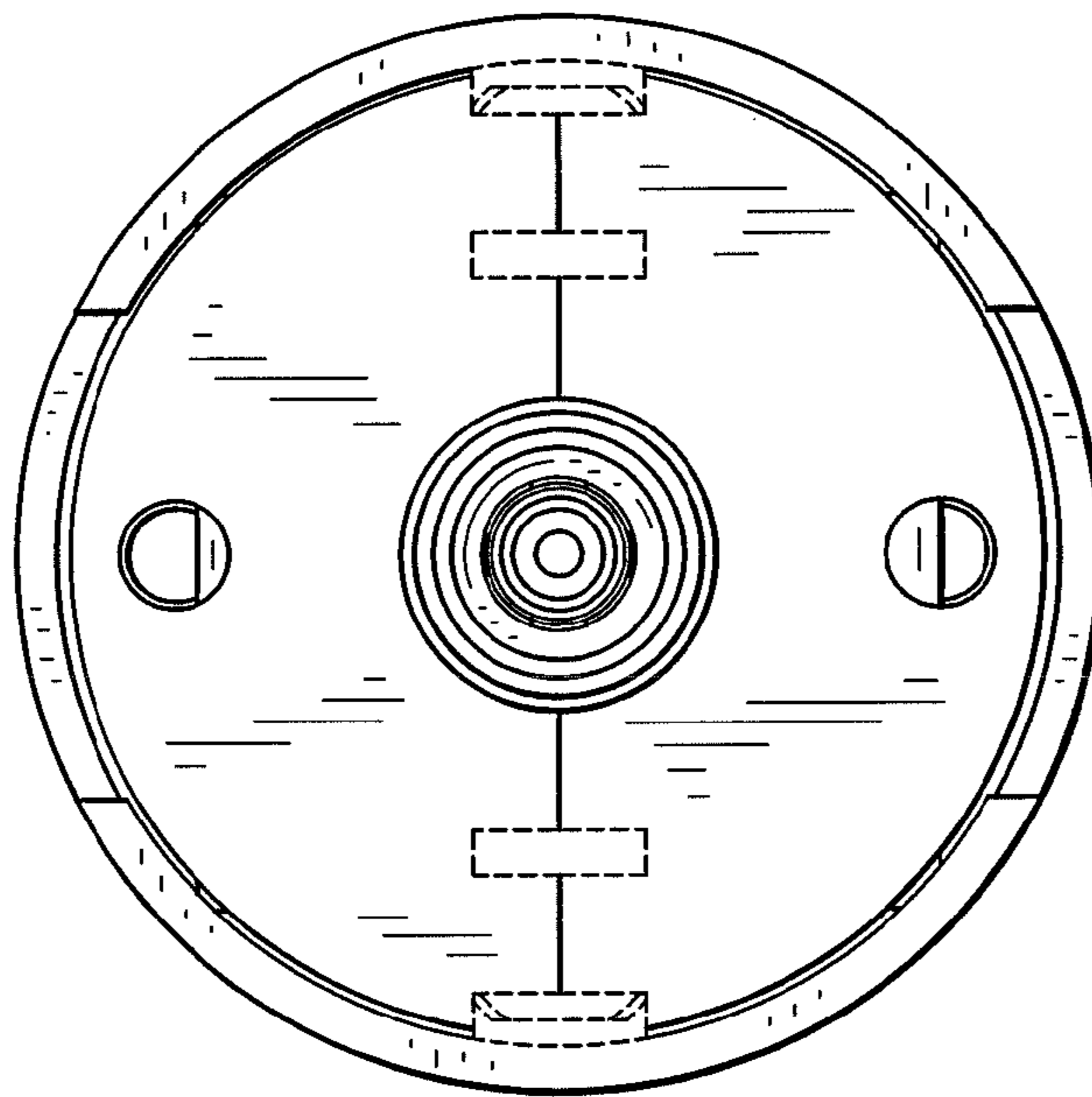


FIG. 3

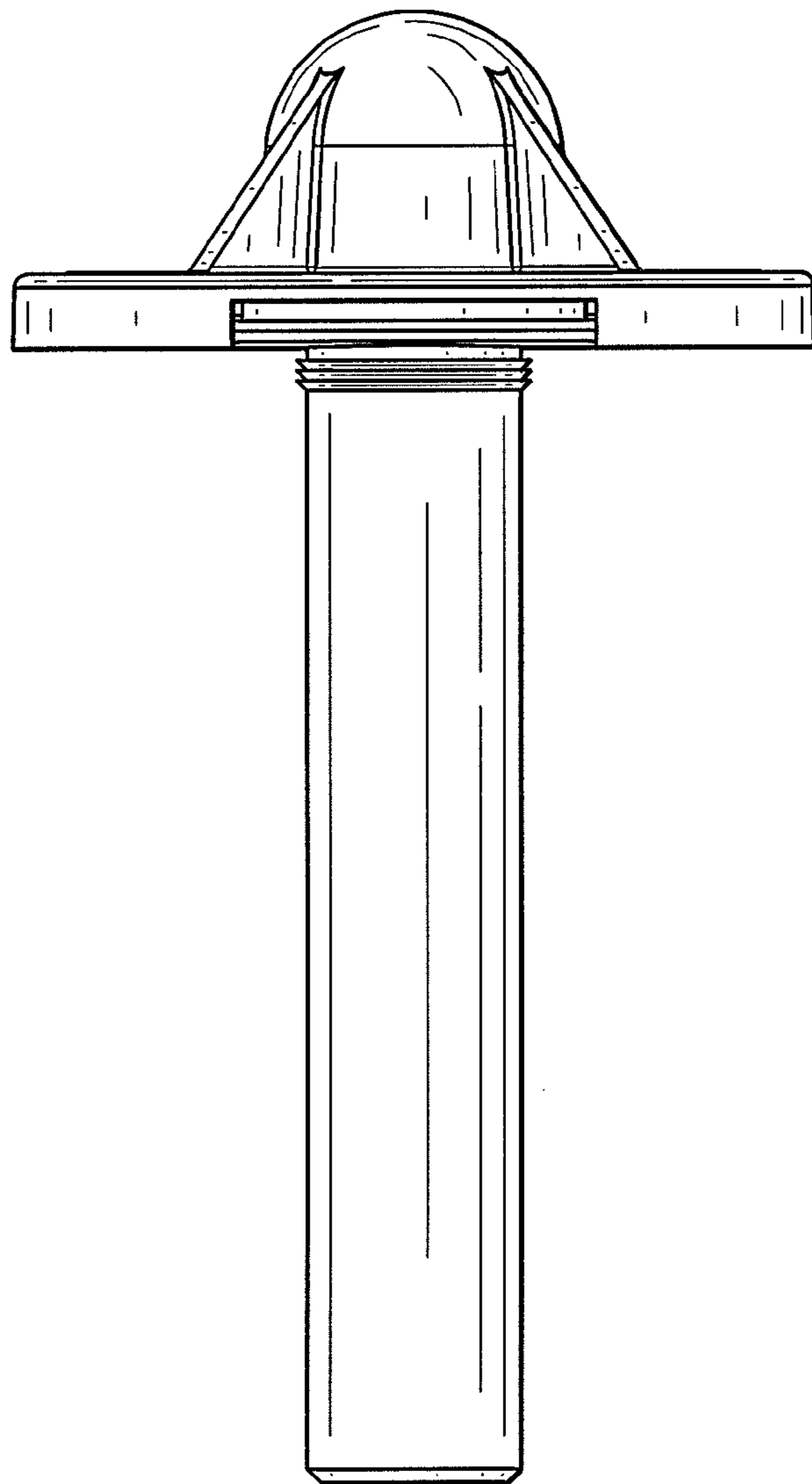


FIG. 4

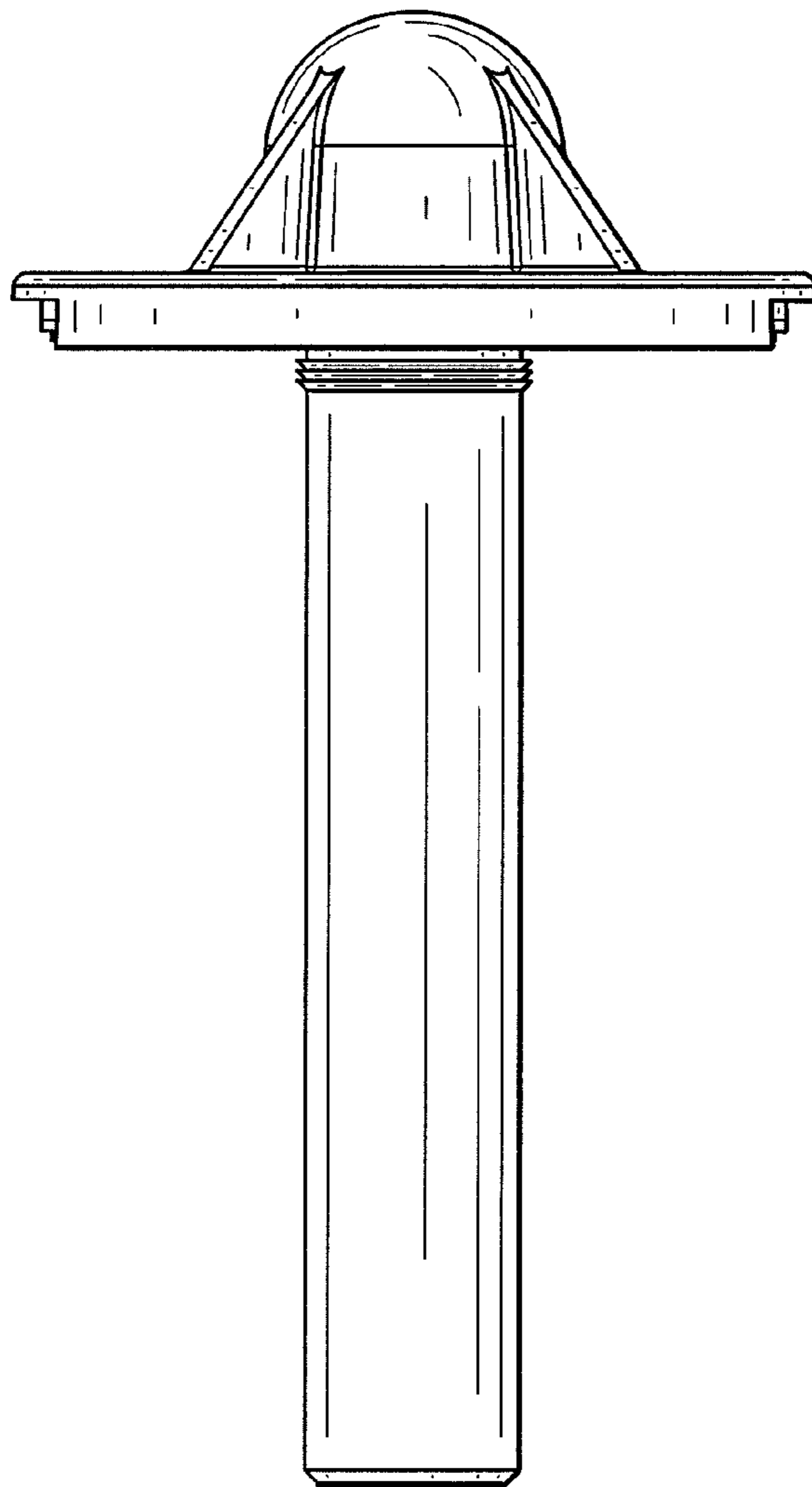


FIG. 5

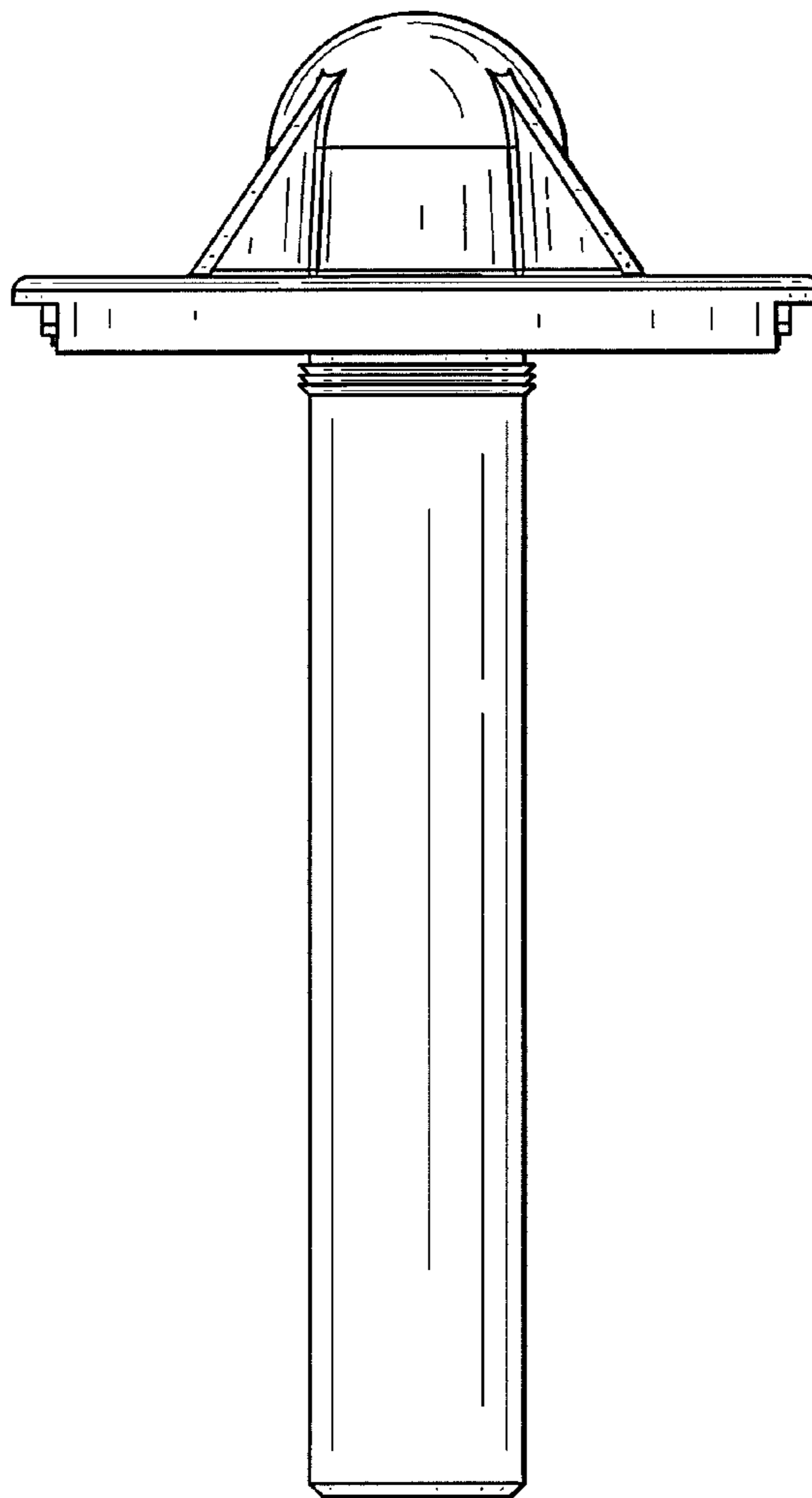


FIG. 6

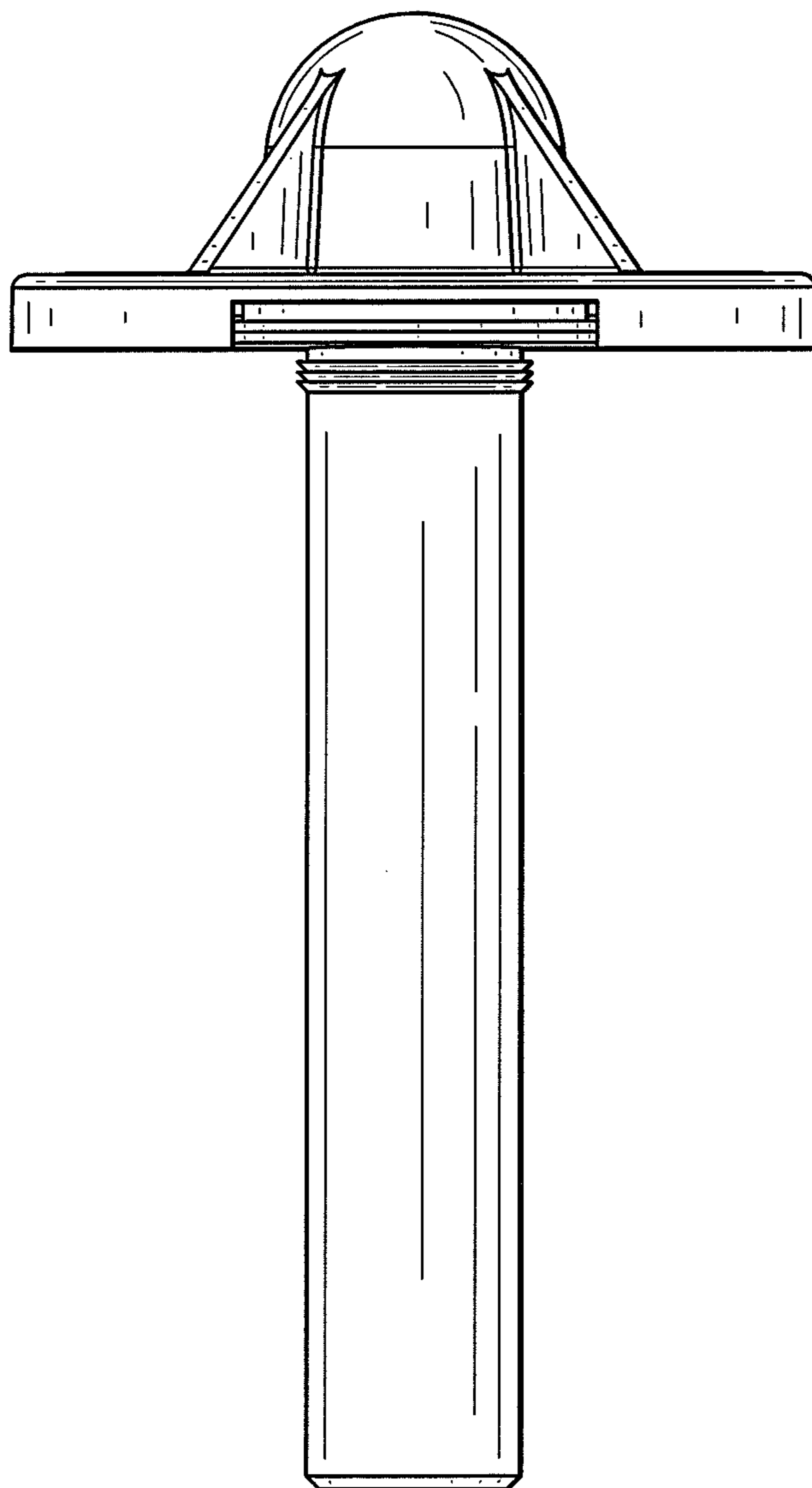


FIG. 7

