



US00D736418S

(12) **United States Design Patent**  
**Di Marzio**

(10) **Patent No.:** **US D736,418 S**

(45) **Date of Patent:** **\*\* Aug. 11, 2015**

(54) **EDGING**

5,609,007 A \* 3/1997 Eichner ..... 52/747.1  
5,720,128 A 2/1998 Smith et al.  
5,775,027 A 7/1998 Tisbo et al.

(Continued)

(71) Applicant: **Roberto Di Marzio**, Saint-Leonard (CA)

(72) Inventor: **Roberto Di Marzio**, Saint-Leonard (CA)

(\*\*) Term: **14 Years**

FOREIGN PATENT DOCUMENTS

(21) Appl. No.: **29/477,127**

DE 3717877 12/1988  
DE 202009004208 7/2009

(Continued)

(22) Filed: **Dec. 19, 2013**

OTHER PUBLICATIONS

(51) **LOC (10) Cl.** ..... **25-01**

Grandinroad. "Everedge Lawn Edging." Printed Aug. 20, 2013.  
[http://www.grandinroad.com/x/12143?SourceCode=ZZ51121  
&cm\\_mmc=Comparison%20...](http://www.grandinroad.com/x/12143?SourceCode=ZZ51121&cm_mmc=Comparison%20...)

(52) **U.S. Cl.**

USPC ..... **D25/164**

(Continued)

(58) **Field of Classification Search**

USPC ..... D5/1, 2, 3, 44, 58, 60, 99; D6/332;  
D25/58, 113, 114, 115, 136, 138, 139,  
D25/140-144, 153, 156, 157, 159, 163, 164,  
D25/199

CPC ..... E04B 1/62; E04B 1/68; E04B 2/08;  
E04B 2/18; E04B 2/28; E04B 2/30; E04B  
2002/0215; E04B 2002/0297; E04C 5/04;  
E06B 9/01

See application file for complete search history.

*Primary Examiner* — Karen S Acker

*Assistant Examiner* — Amy Wierenga

(74) *Attorney, Agent, or Firm* — Brinks Gilson & Lione

(57) **CLAIM**

The ornamental design for an edging, as shown and described.

**DESCRIPTION**

FIG. 1 is a perspective view of an edging, according to my new design;  
FIG. 2 is a front elevation view thereof;  
FIG. 3 is a rear elevation view thereof;  
FIG. 4 is a left side elevation view thereof;  
FIG. 5 is a right side elevation view thereof;  
FIG. 6 is a top plan view thereof; and,  
FIG. 7 is a bottom plan view thereof.

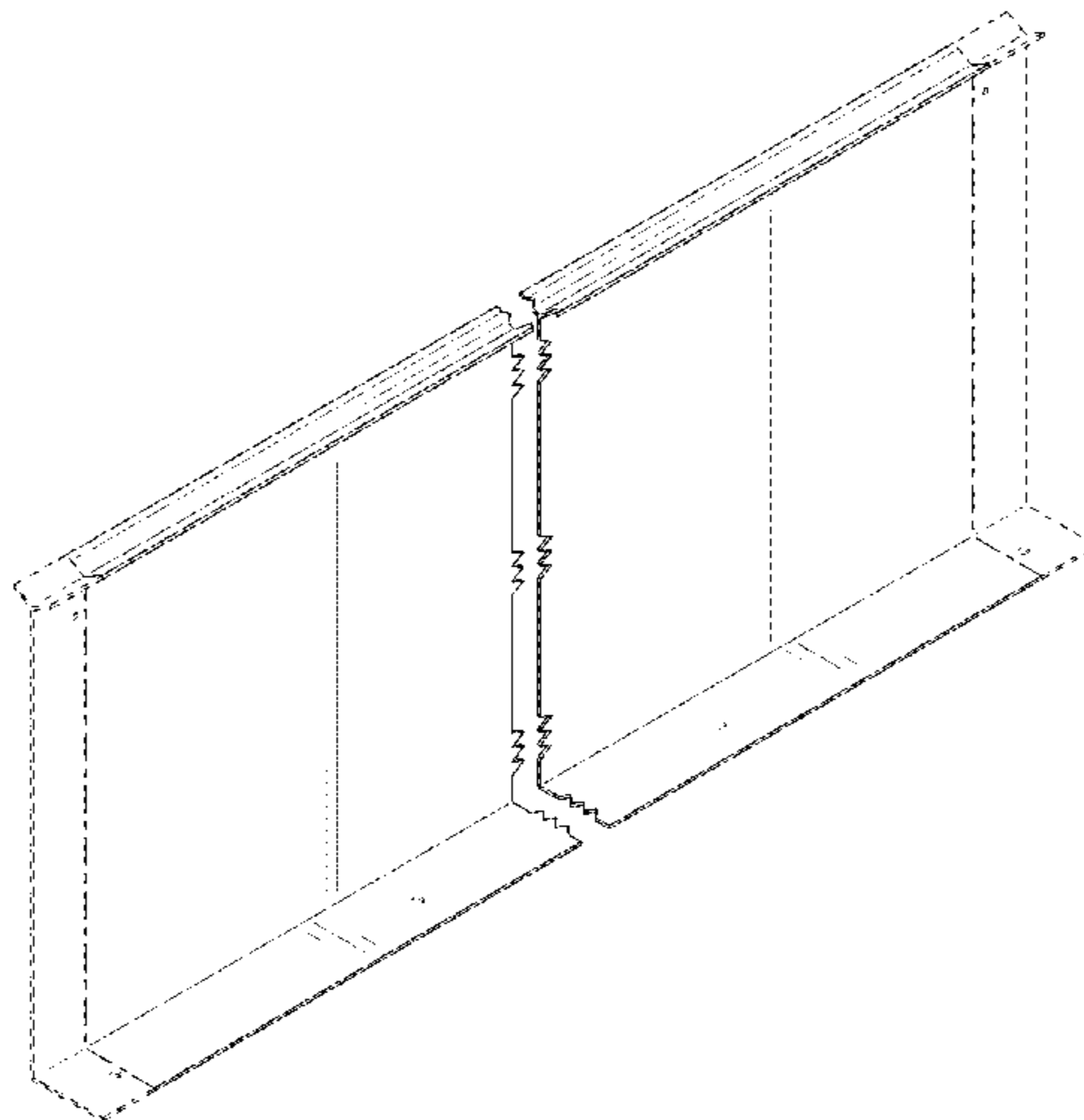
Throughout the Figures, where shown: The broken lines in the drawings depict environmental subject matter only and form no part of the claimed design. The dash-dot-dash lines depict boundaries of the claim and form no part thereof. The edging is shown with a symbolic break in its length drawn in double zigzag lines. Any portion of the article between the break lines forms no part of the claimed design.

**1 Claim, 5 Drawing Sheets**

(56) **References Cited**

U.S. PATENT DOCUMENTS

1,768,731 A \* 7/1930 Awbrey ..... 52/782.23  
1,977,021 A \* 10/1934 Spencer ..... 47/33  
2,713,751 A 7/1955 Hendrixson  
2,821,809 A \* 2/1958 Collien et al. .... 47/33  
3,484,989 A \* 12/1969 Lazinsky ..... 47/33  
3,485,001 A \* 12/1969 Miller ..... 52/281  
D244,460 S \* 5/1977 Jenkins ..... D25/164  
4,109,428 A \* 8/1978 Aarons ..... 52/94  
4,628,632 A \* 12/1986 Zwier ..... 47/33  
4,823,521 A 4/1989 Kontz, Jr.  
5,121,569 A \* 6/1992 Thomas ..... 47/33  
D366,191 S \* 1/1996 Gay ..... D8/1  
5,519,970 A \* 5/1996 Reum et al. .... 52/102  
5,544,445 A \* 8/1996 Mantilla ..... 47/33  
5,588,262 A 12/1996 Dawson



(56)

**References Cited**

U.S. PATENT DOCUMENTS

6,012,254 A 1/2000 Gaston  
6,336,290 B1 \* 1/2002 Callan ..... 47/33  
D455,504 S \* 4/2002 Foster ..... D25/164  
D507,131 S \* 7/2005 Pingel ..... D6/702  
D507,829 S \* 7/2005 Castellanos ..... D23/393  
D518,901 S \* 4/2006 Stackenwalt et al. .... D25/136  
D537,747 S \* 3/2007 Enersen ..... D10/113.1  
D579,124 S \* 10/2008 Sauter et al. .... D25/119  
7,900,395 B2 3/2011 Leiter  
8,490,359 B2 7/2013 Perotti et al.  
2005/0252101 A1 11/2005 Anderson et al.  
2008/0163566 A1 7/2008 Bella  
2009/0013597 A1 1/2009 Orton  
2010/0186293 A1 7/2010 Flynn

2010/0226720 A1\* 9/2010 Meert et al. .... 405/121  
2011/0308150 A1 12/2011 Kalamaris  
2013/0239473 A1\* 9/2013 Kalamaris ..... 47/33

FOREIGN PATENT DOCUMENTS

EP 1586233 10/2005  
GB 2357416 9/2003

OTHER PUBLICATIONS

HomeDepot. "Dimex E-Z Connect 16 ft. Multipurpose No Dig Lawn Edging and Landscape Border Project Kit in Black." Printed Aug. 20, 2013. <http://www.homedepot.com/p/t/100654489?productId=100654489&storeId=10051&langl...>  
Sure-Loc Edging. "Plastic Edging, Elite-Edge." Printed Aug. 20, 2013. <http://www.sureloedging.com/products/plastic-edging/>.

\* cited by examiner

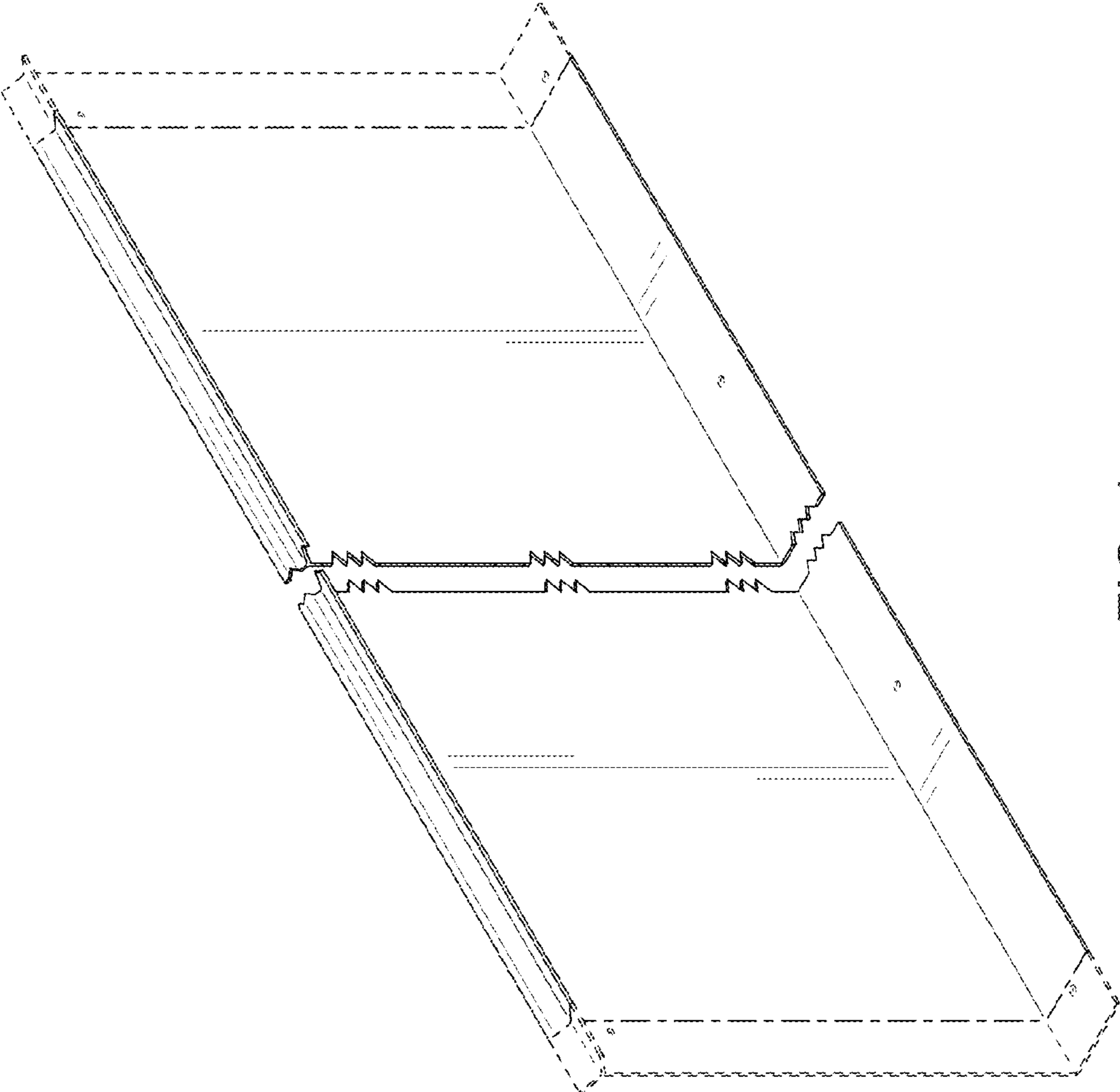


FIG. 1

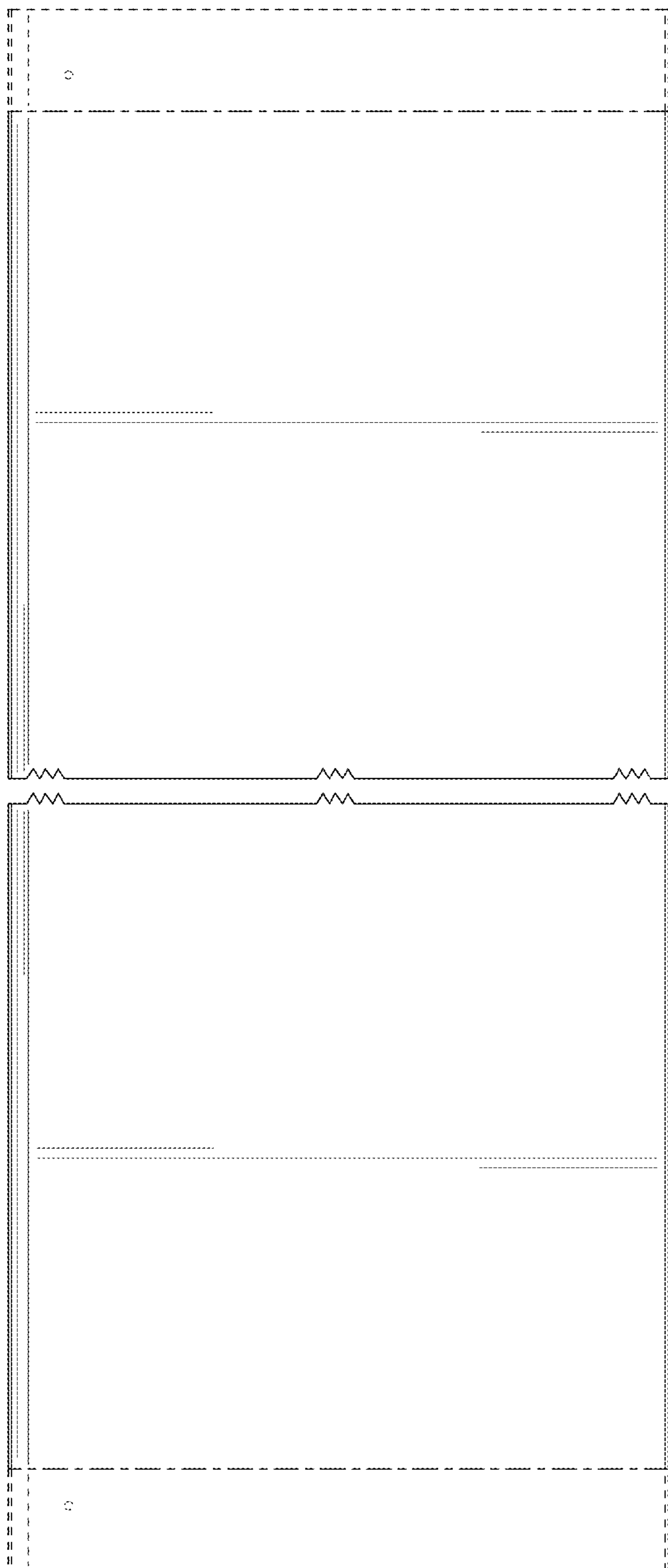


FIG. 2

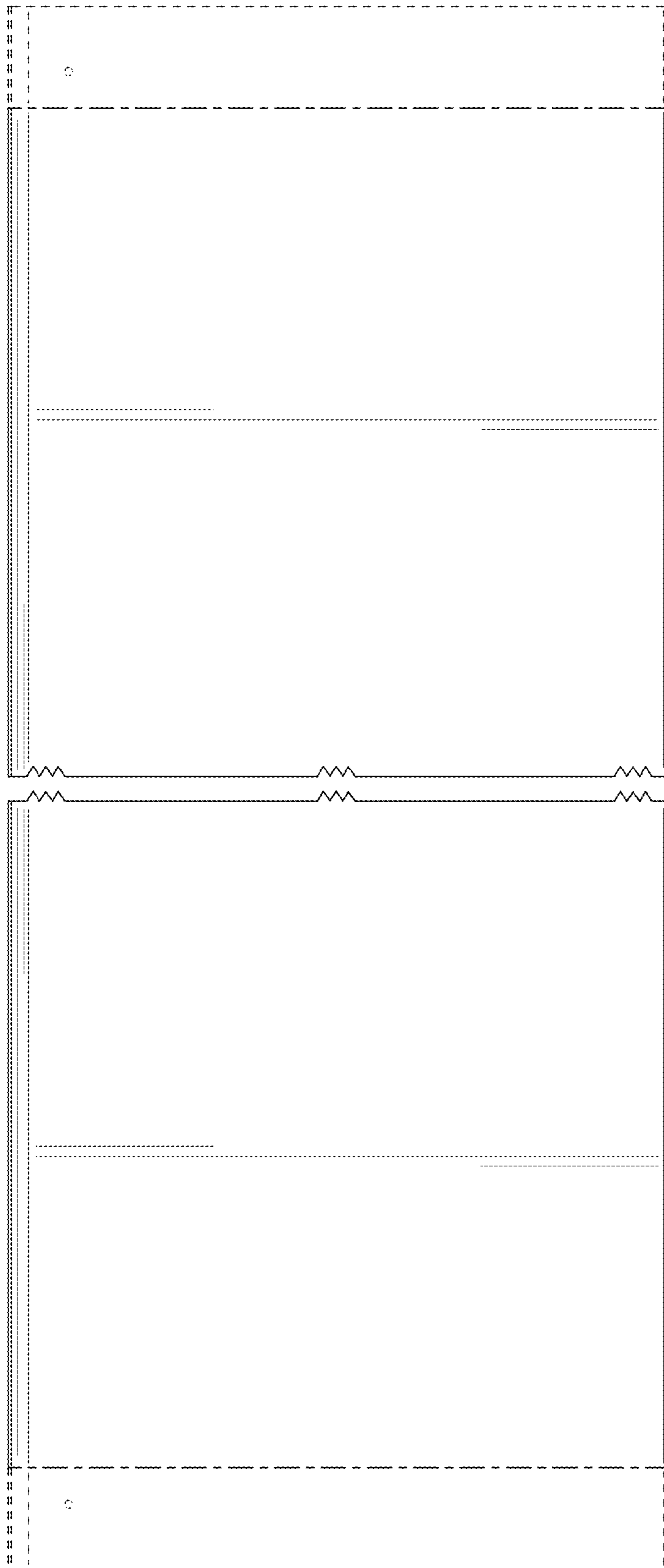


FIG. 3

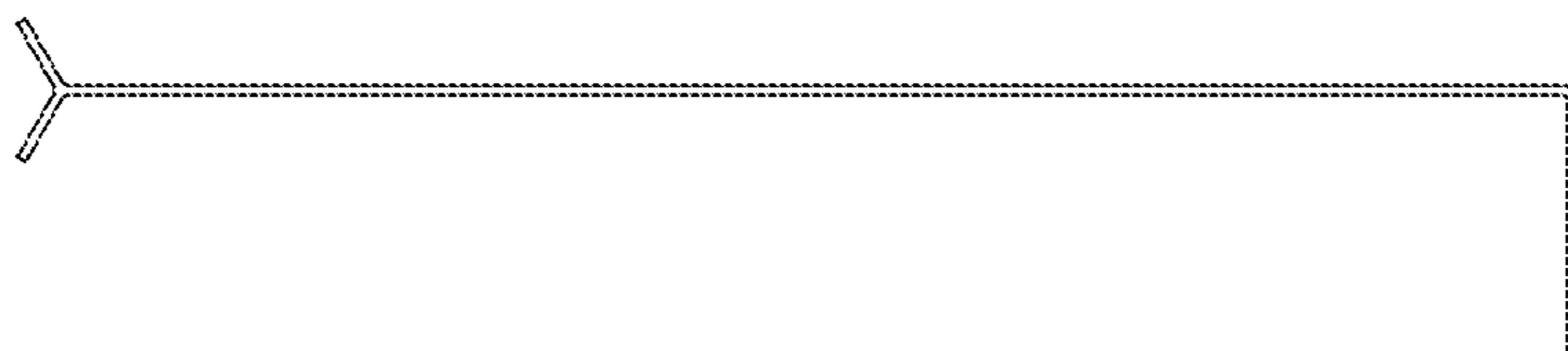


FIG. 5

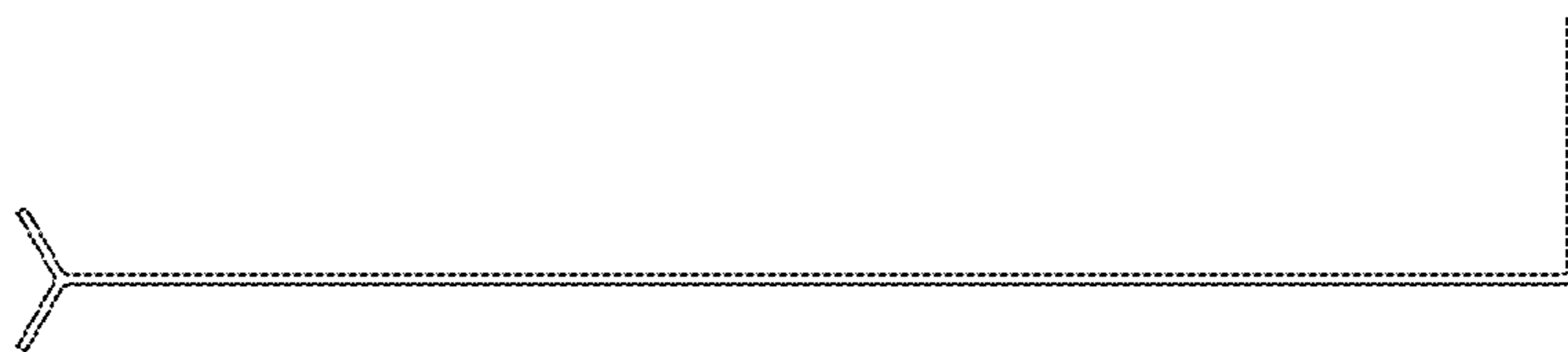


FIG. 4

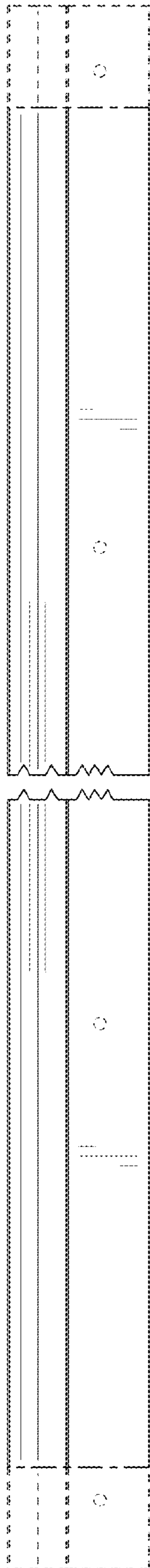


FIG. 6

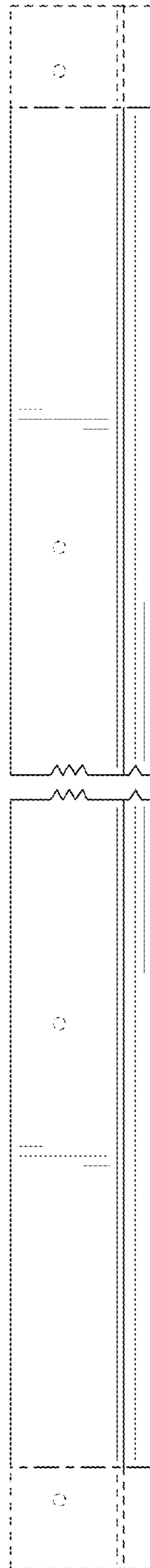


FIG. 7