



US00D736417S

(12) **United States Design Patent**
Di Marzio

(10) **Patent No.:** **US D736,417 S**

(45) **Date of Patent:** **** Aug. 11, 2015**

(54) **EDGING**

(71) Applicant: **Roberto Di Marzio**, Saint-Leonard (CA)

(72) Inventor: **Roberto Di Marzio**, Saint-Leonard (CA)

(**) Term: **14 Years**

(21) Appl. No.: **29/477,118**

(22) Filed: **Dec. 19, 2013**

(30) **Foreign Application Priority Data**

Aug. 23, 2013 (CA) 152620

(51) **LOC (10) Cl.** **25-01**

(52) **U.S. Cl.**

USPC **D25/164**

(58) **Field of Classification Search**

USPC D5/1, 2, 3, 44, 58, 60, 99; D6/332;
D25/58, 113, 114, 115, 136, 138, 139,
D25/140-144, 153, 156, 157, 159, 163, 164,
D25/199

CPC E04B 1/62; E04B 1/68; E04B 2/08;
E04B 2/18; E04B 2/28; E04B 2/30; E04B
2002/0215; E04B 2002/0297; E04C 5/04;
E06B 9/01

See application file for complete search history.

(56) **References Cited**

U.S. PATENT DOCUMENTS

1,768,731 A * 7/1930 Awbrey 52/782.23
1,977,021 A * 10/1934 Spencer 47/33
2,713,751 A 7/1955 Hendrixson
2,821,809 A * 2/1958 Collien et al. 47/33
3,484,989 A * 12/1969 Lazinsky 47/33
3,485,001 A * 12/1969 Miller 52/281
D244,460 S * 5/1977 Jenkins D25/164
4,109,428 A * 8/1978 Aarons 52/94
4,628,632 A * 12/1986 Zwier 47/33
4,823,521 A 4/1989 Kontz, Jr.
5,121,569 A * 6/1992 Thomas 47/33

D366,191 S * 1/1996 Gay D8/1
5,519,970 A * 5/1996 Reum et al. 52/102
5,544,445 A * 8/1996 Mantilla 47/33

(Continued)

FOREIGN PATENT DOCUMENTS

DE 3717877 12/1988
DE 202009004208 7/2009

(Continued)

OTHER PUBLICATIONS

Grandinroad. "Everedge Lawn Edging." Printed Aug. 20, 2013.
[http://www.grandinroad.com/x/12143?SourceCode=ZZ51121
&cm_mmc=Comparison%20...](http://www.grandinroad.com/x/12143?SourceCode=ZZ51121&cm_mmc=Comparison%20...)

(Continued)

Primary Examiner — Karen S Acker

Assistant Examiner — Amy Wierenga

(74) *Attorney, Agent, or Firm* — Brinks Gilson & Lione

(57) **CLAIM**

The ornamental design for an edging, as shown and described.

DESCRIPTION

FIG. 1 is a perspective view of an edging, according to my new design;

FIG. 2 is a front elevation view thereof;

FIG. 3 is a rear elevation view thereof;

FIG. 4 is a left side elevation view thereof;

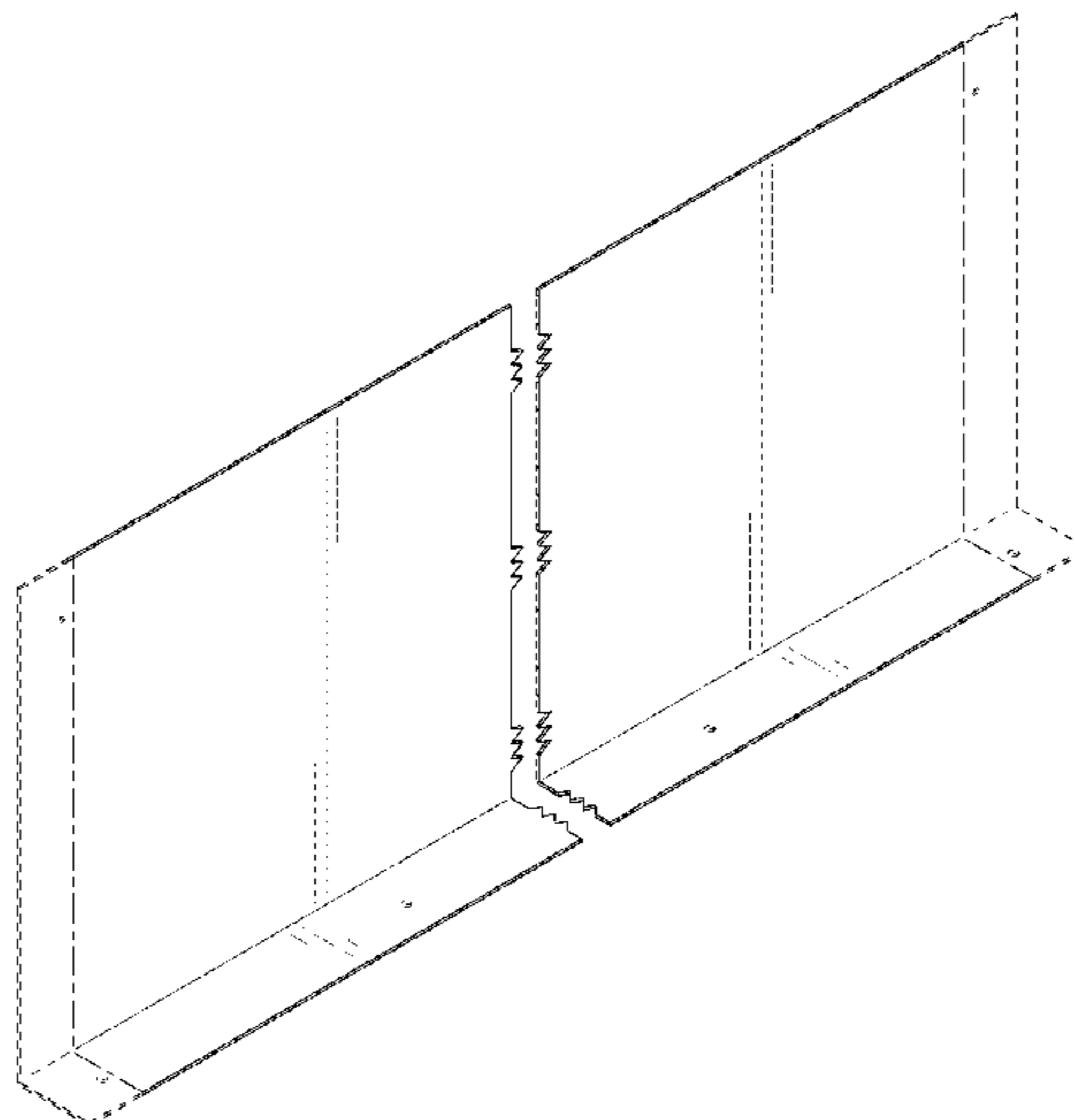
FIG. 5 is a right side elevation view thereof;

FIG. 6 is a top plan view thereof; and,

FIG. 7 is a bottom plan view thereof.

Throughout the Figures, where shown: The broken lines in the drawings depict environmental subject matter only and form no part of the claimed design. The dash-dot-dash lines depict boundaries of the claim and form no part thereof. The edging is shown with a symbolic break in its length drawn in double zigzag lines. Any portion of the article between the break lines forms no part of the claimed design.

1 Claim, 5 Drawing Sheets



(56)

References Cited

U.S. PATENT DOCUMENTS

5,588,262 A 12/1996 Dawson
 5,609,007 A * 3/1997 Eichner 52/747.1
 5,720,128 A 2/1998 Smith et al.
 5,775,027 A 7/1998 Tisbo et al.
 6,012,254 A 1/2000 Gaston
 6,336,290 B1 * 1/2002 Callan 47/33
 D455,504 S * 4/2002 Foster D25/164
 D507,131 S * 7/2005 Pingel D6/702
 D507,829 S * 7/2005 Castellanos D23/393
 D518,901 S * 4/2006 Stackenwalt et al. D25/136
 D537,747 S * 3/2007 Enersen D10/113.1
 D579,124 S * 10/2008 Sauter et al. D25/119
 7,900,395 B2 3/2011 Leiter
 8,490,359 B2 7/2013 Perotti et al.
 2005/0252101 A1 11/2005 Anderson et al.
 2008/0163566 A1 7/2008 Bella
 2009/0013597 A1 1/2009 Orton

2010/0186293 A1 7/2010 Flynn
 2010/0226720 A1 * 9/2010 Meert et al. 405/121
 2011/0308150 A1 12/2011 Kalamaris
 2013/0239473 A1 * 9/2013 Kalamaris 47/33

FOREIGN PATENT DOCUMENTS

EP 1586233 10/2005
 GB 2357416 9/2003

OTHER PUBLICATIONS

HomeDepot. "Dimex E-Z Connect 16 ft. Multipurpose No Dig Lawn Edging and Landscape Border Project Kit in Black." Printed Aug. 20, 2013. <http://www.homedepot.com/p/100654489?productId=100654489&storeId=10051&langl...>
 Sure-Loc Edging. "Plastic Edging, Elite-Edge." Printed Aug. 20, 2013. <http://www.surelocedging.com/products/plastic-edging/>.

* cited by examiner

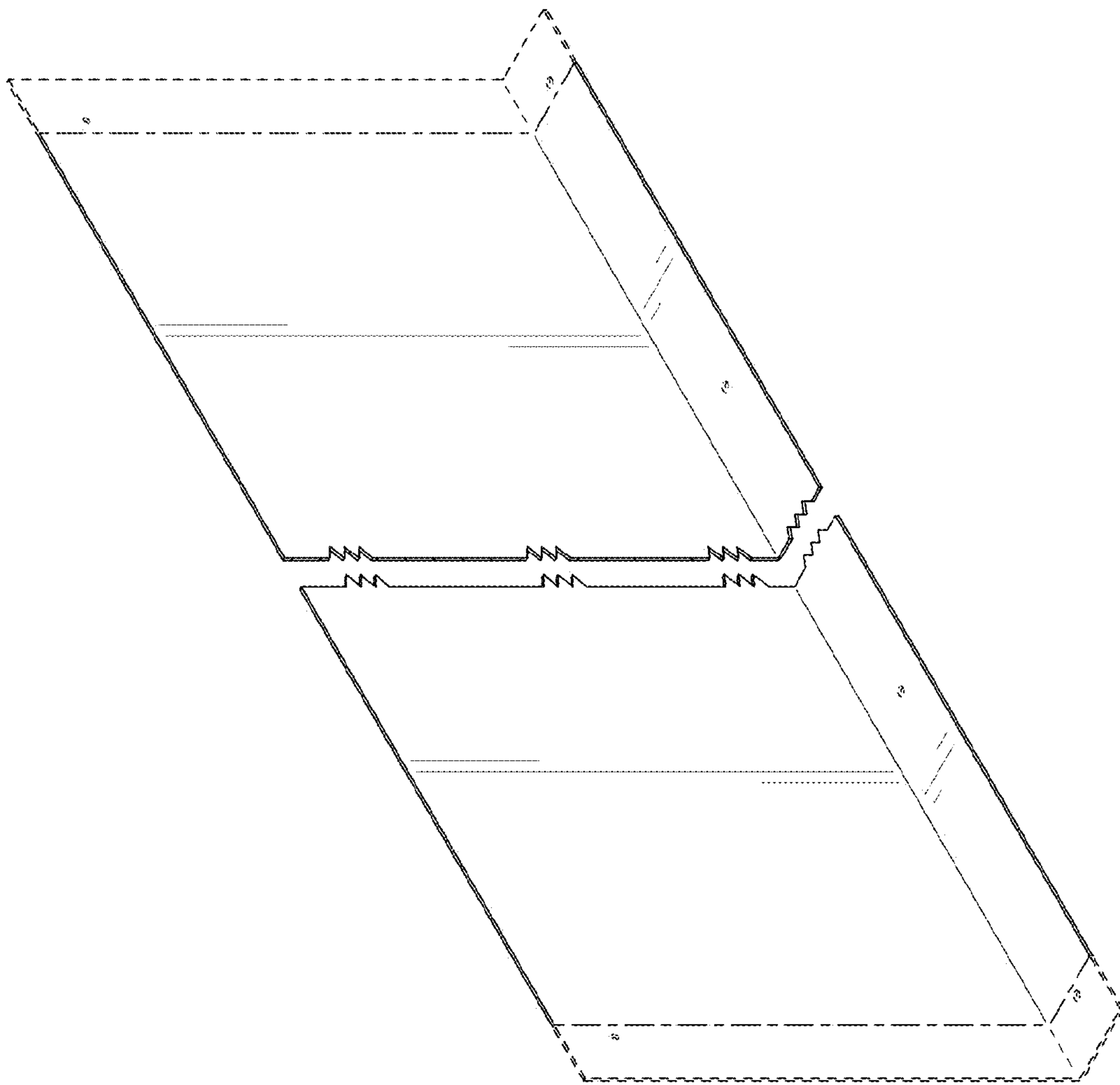


FIG. 1

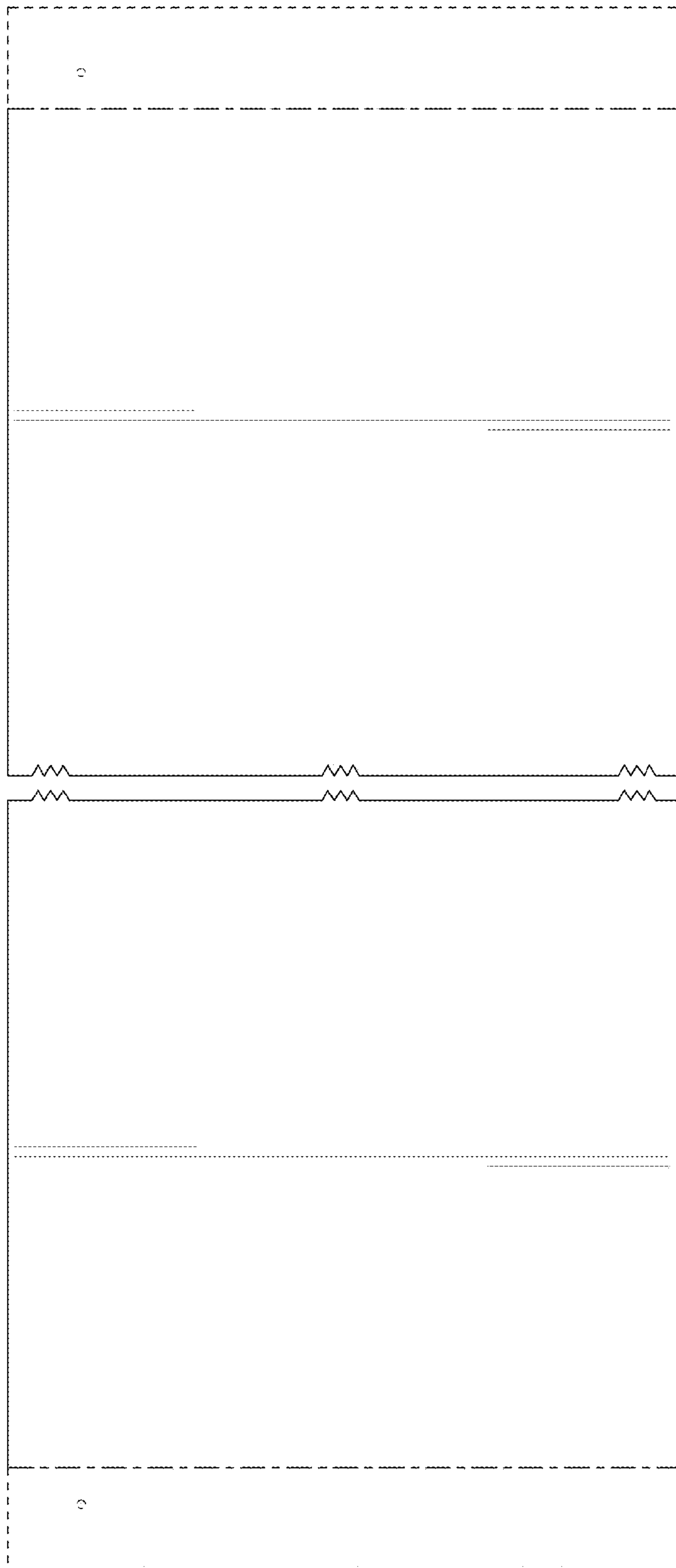


FIG. 2

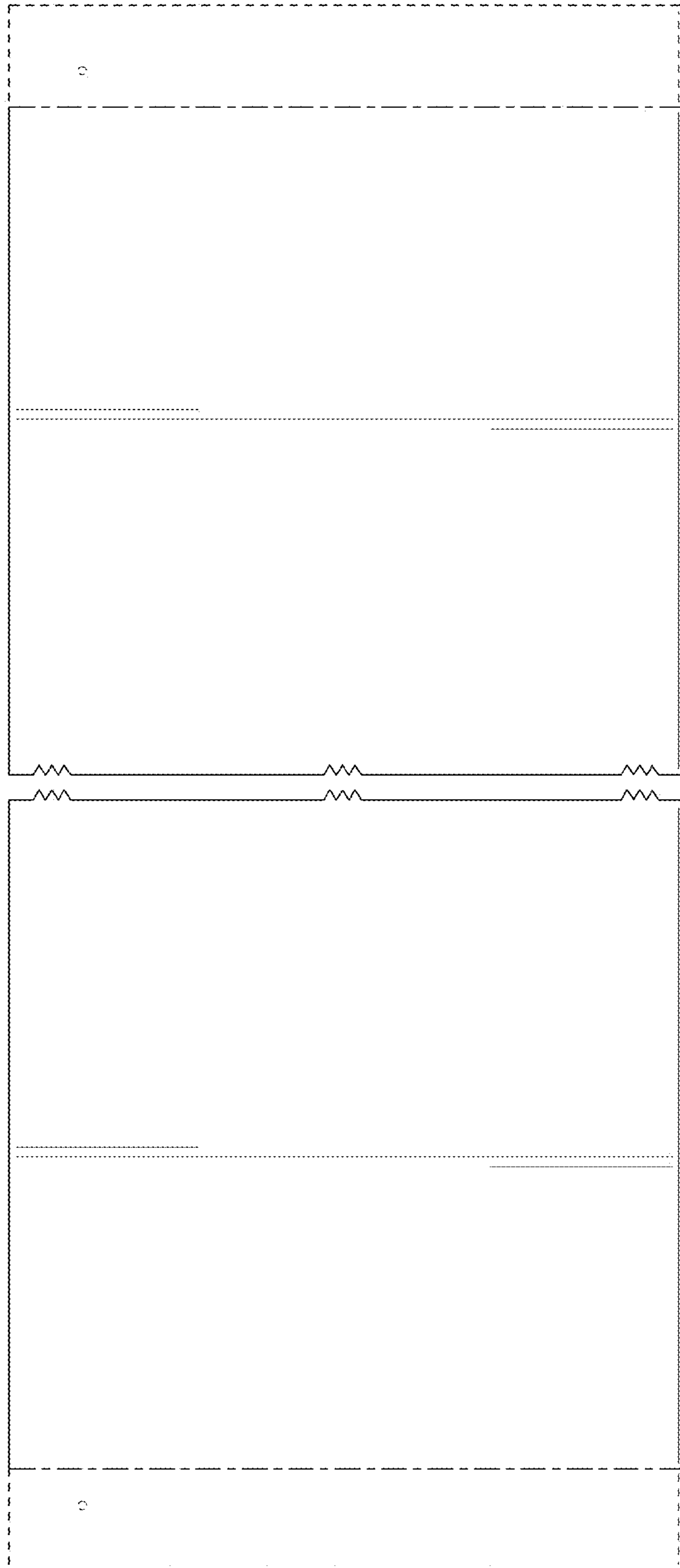


FIG. 3



FIG. 5



FIG. 4

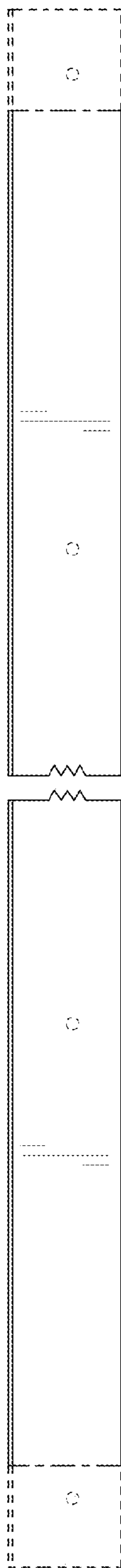


FIG. 6

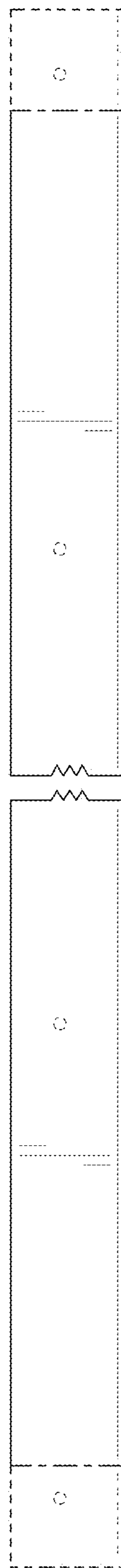


FIG. 7