



US00D736413S

(12) **United States Design Patent**
Sparks

(10) **Patent No.:** **US D736,413 S**

(45) **Date of Patent:** **** Aug. 11, 2015**

(54) **EXPANDING WALL CHANNEL**

(71) Applicant: **SWF Industrial, LLC**, Hotchkiss, CO
(US)

(72) Inventor: **Richard Alan Sparks**, Hotchkiss, CO
(US)

(73) Assignee: **SWF Industrial, LLC**, Hotchkiss, CO
(US)

(**) Term: **14 Years**

(21) Appl. No.: **29/491,198**

(22) Filed: **May 19, 2014**

(51) **LOC (10) Cl.** **25-01**

(52) **U.S. Cl.**
USPC **D25/121**

(58) **Field of Classification Search**
USPC D25/121; 52/220.1, 220.3, 220.7, 241,
52/243, 36.6, 238.1, 632, 481.1
See application file for complete search history.

(56) **References Cited**

U.S. PATENT DOCUMENTS

| | | | | | |
|-----------|-----|---------|-----------------|-------|---------|
| 3,492,766 | A * | 2/1970 | Andrews | | 52/36.6 |
| 3,533,205 | A * | 10/1970 | Lankford et al. | | 52/356 |
| 3,854,264 | A * | 12/1974 | Thomassen | | 52/632 |
| 5,927,038 | A * | 7/1999 | Goldberg et al. | | 52/632 |

| | | | | | |
|--------------|------|--------|----------------|-------|----------|
| D442,705 | S * | 5/2001 | Eaton | | D25/121 |
| 6,360,510 | B1 * | 3/2002 | Woodrum et al. | | 52/481.1 |
| 7,178,304 | B2 * | 2/2007 | Brady | | 52/653.1 |
| D621,963 | S * | 8/2010 | Zadeh | | D25/125 |
| 2001/0017016 | A1 * | 8/2001 | Rudduck | | 52/481.1 |

* cited by examiner

Primary Examiner — Doris Clark

(74) *Attorney, Agent, or Firm* — Martensen IP

(57) **CLAIM**

The ornamental design for an expanding wall channel, as shown and described.

DESCRIPTION

FIG. 1 is a front, top perspective drawing of one embodiment of an expanding wall channel showing our new design, the channel in an unexpanded configuration;

FIG. 2 is a top view thereof;

FIG. 3 is a bottom view thereof;

FIG. 4 is a right side view thereof;

FIG. 5 is a left side view thereof;

FIG. 6 is front view thereof;

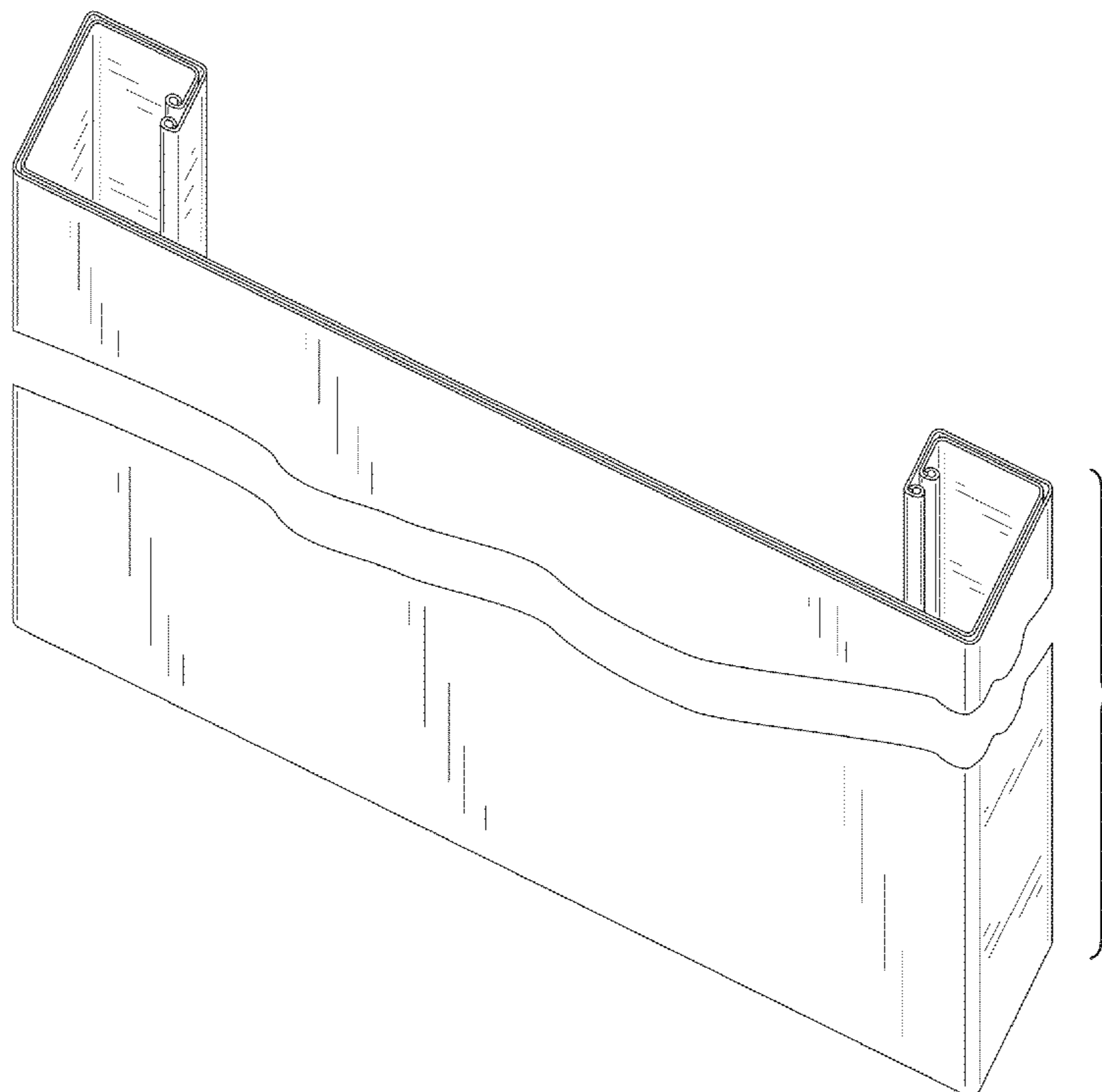
FIG. 7 is a back plan view thereof;

FIG. 8 is a front, top perspective view of thereof with the channel in an expanded configuration;

FIG. 9 is a top view of a second embodiment thereof; and,

FIG. 10 is a top view of a third embodiment thereof.

1 Claim, 7 Drawing Sheets



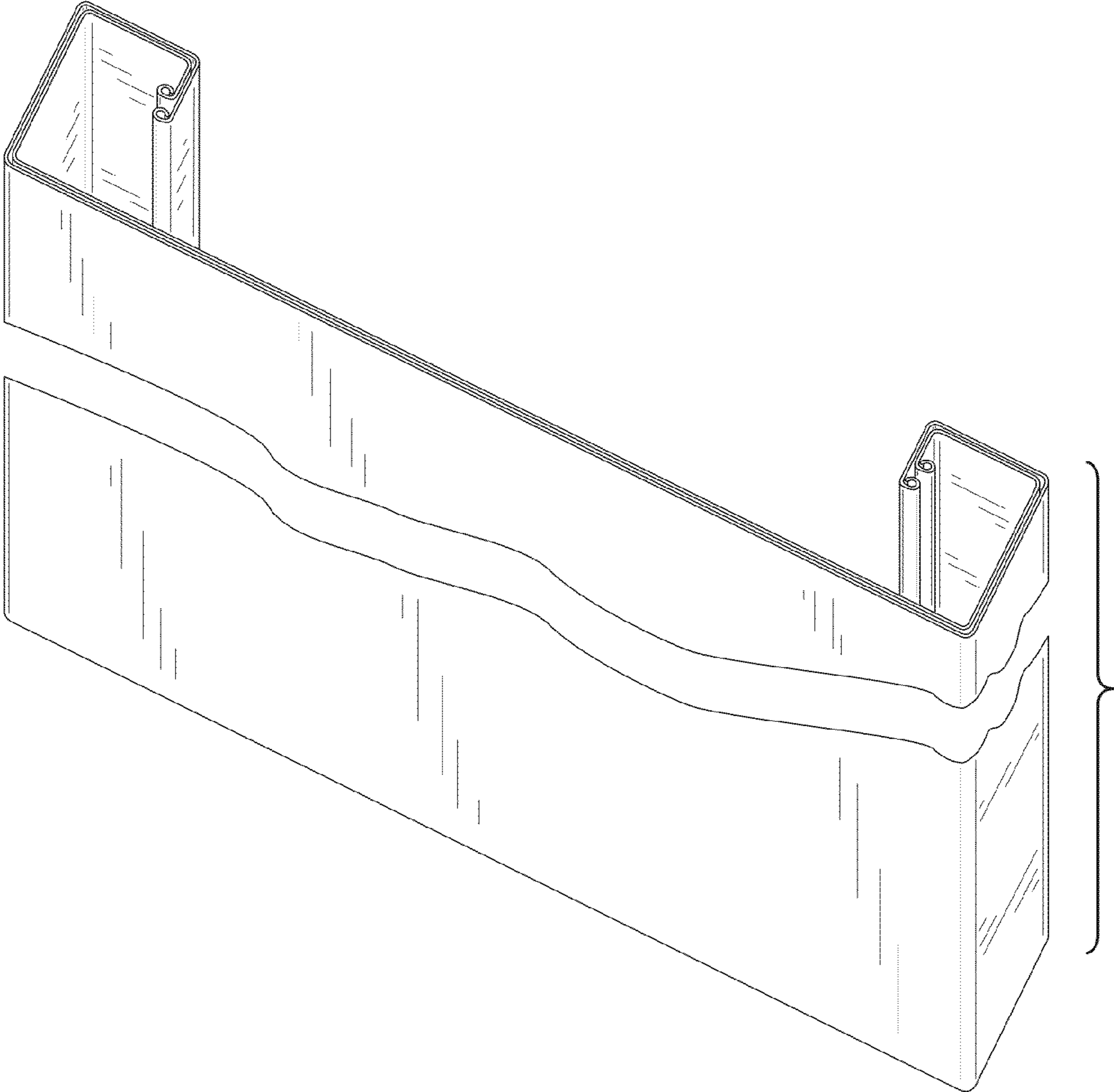


FIG.1



FIG. 2

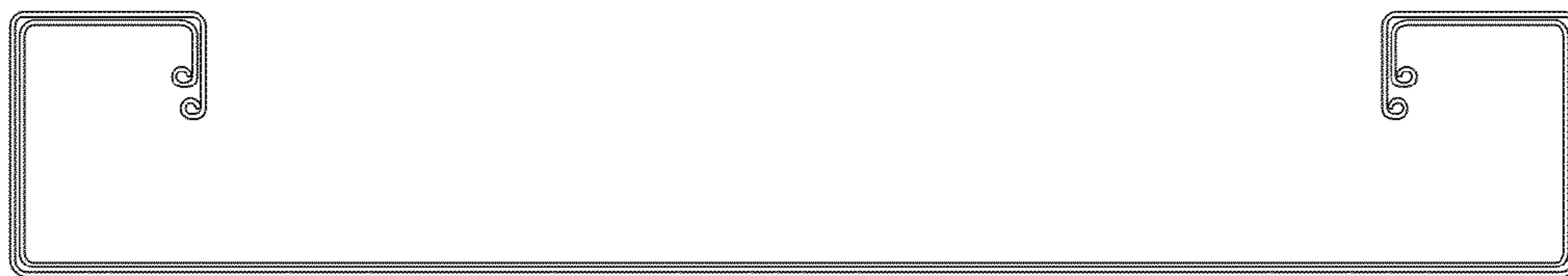


FIG. 3

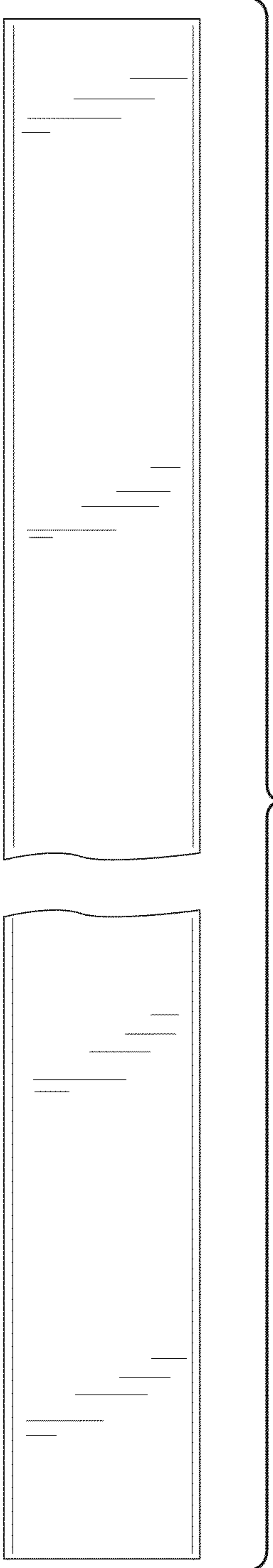


FIG.4

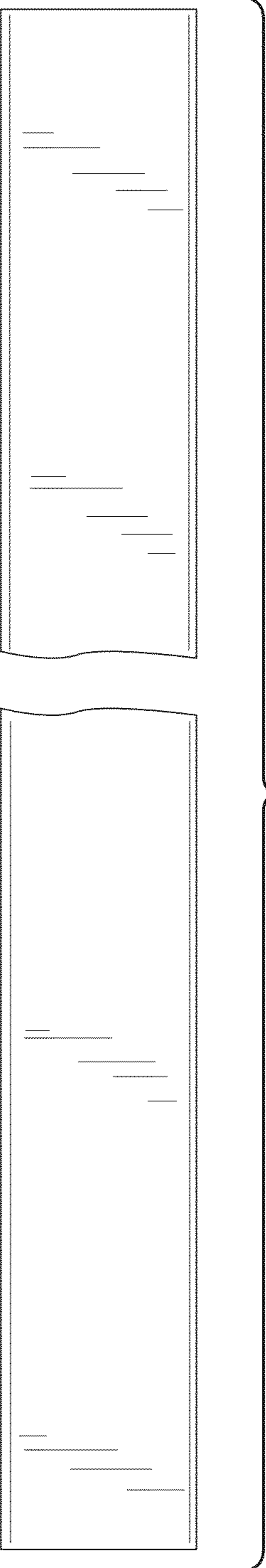


FIG.5

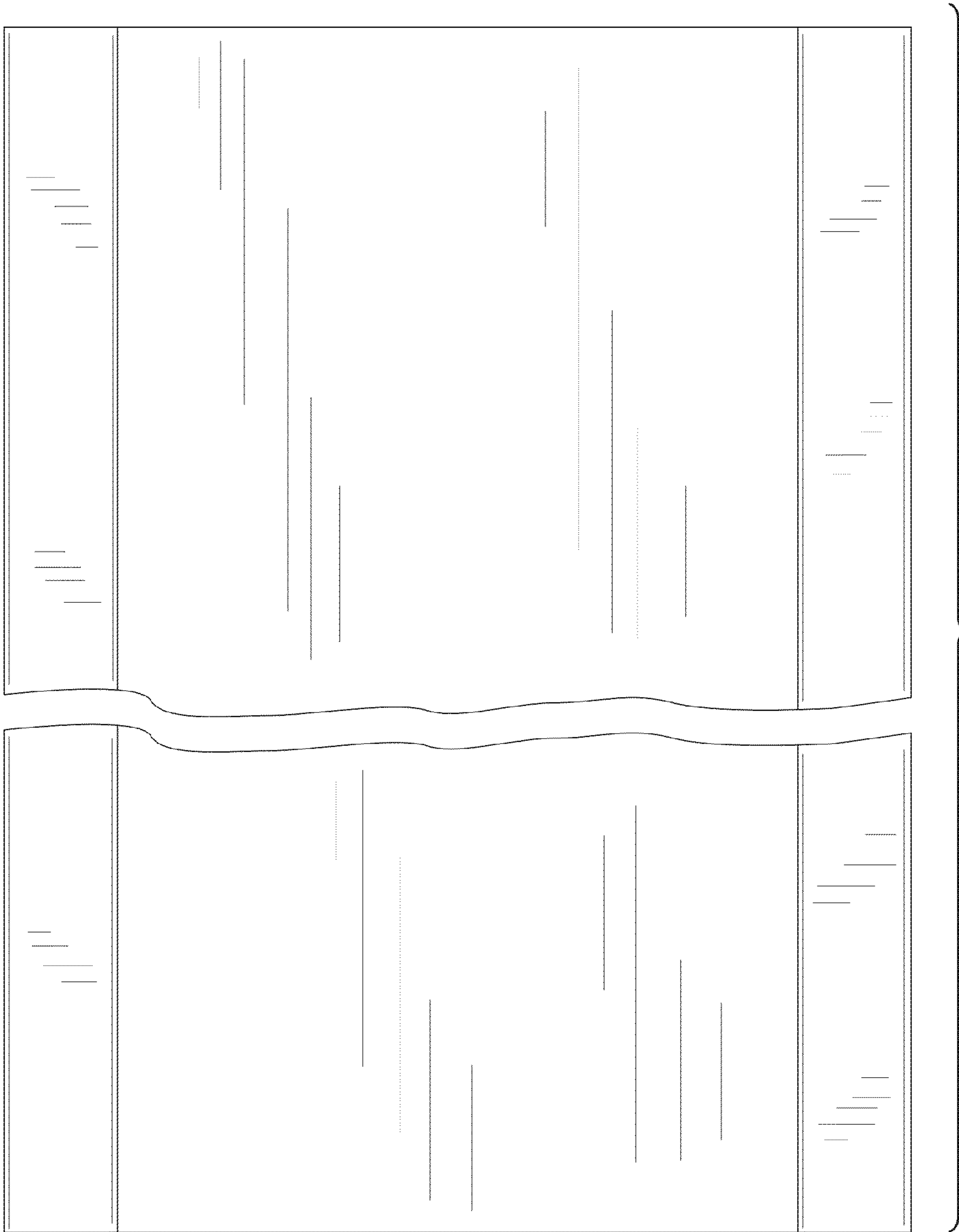


FIG.6

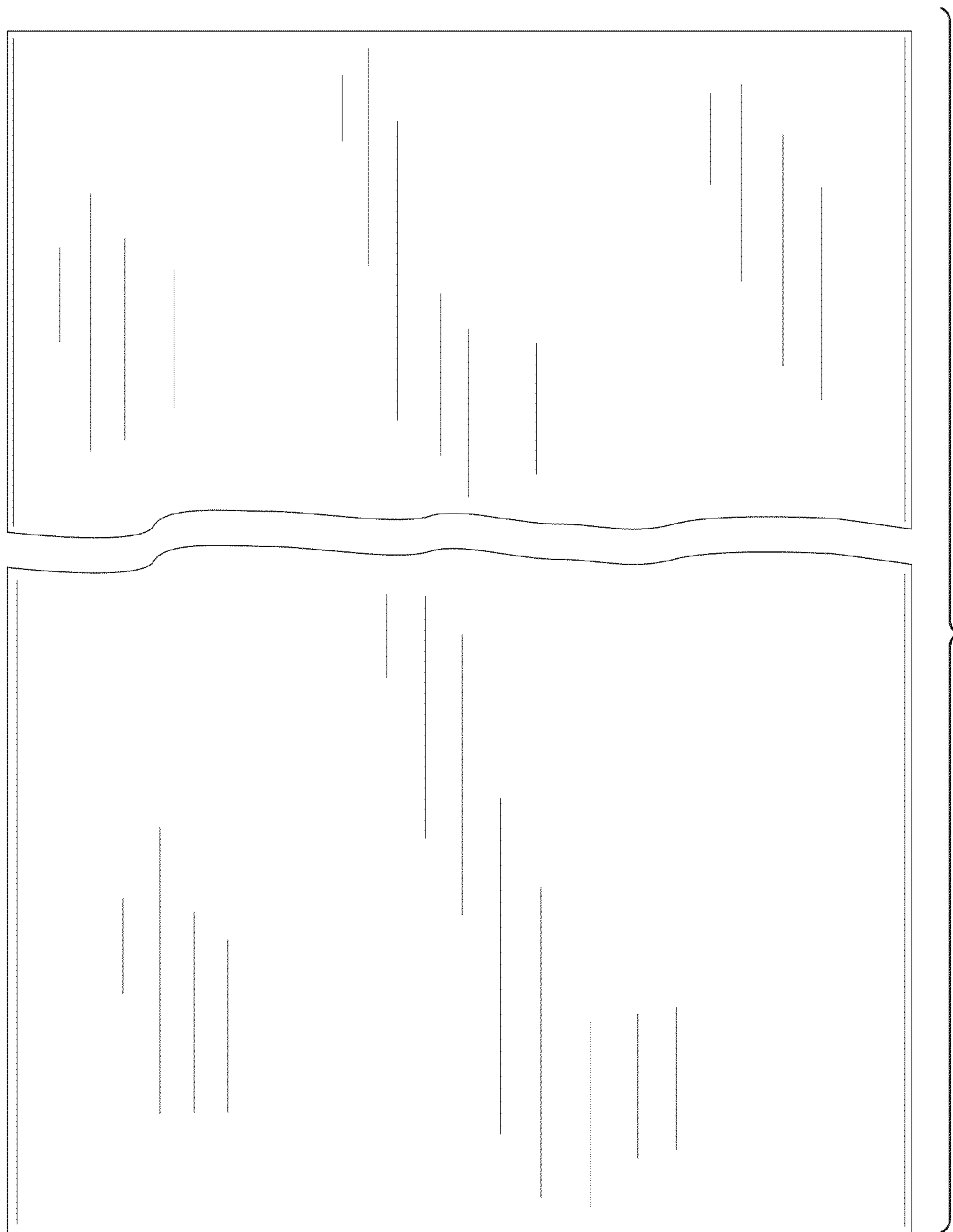


FIG. 7

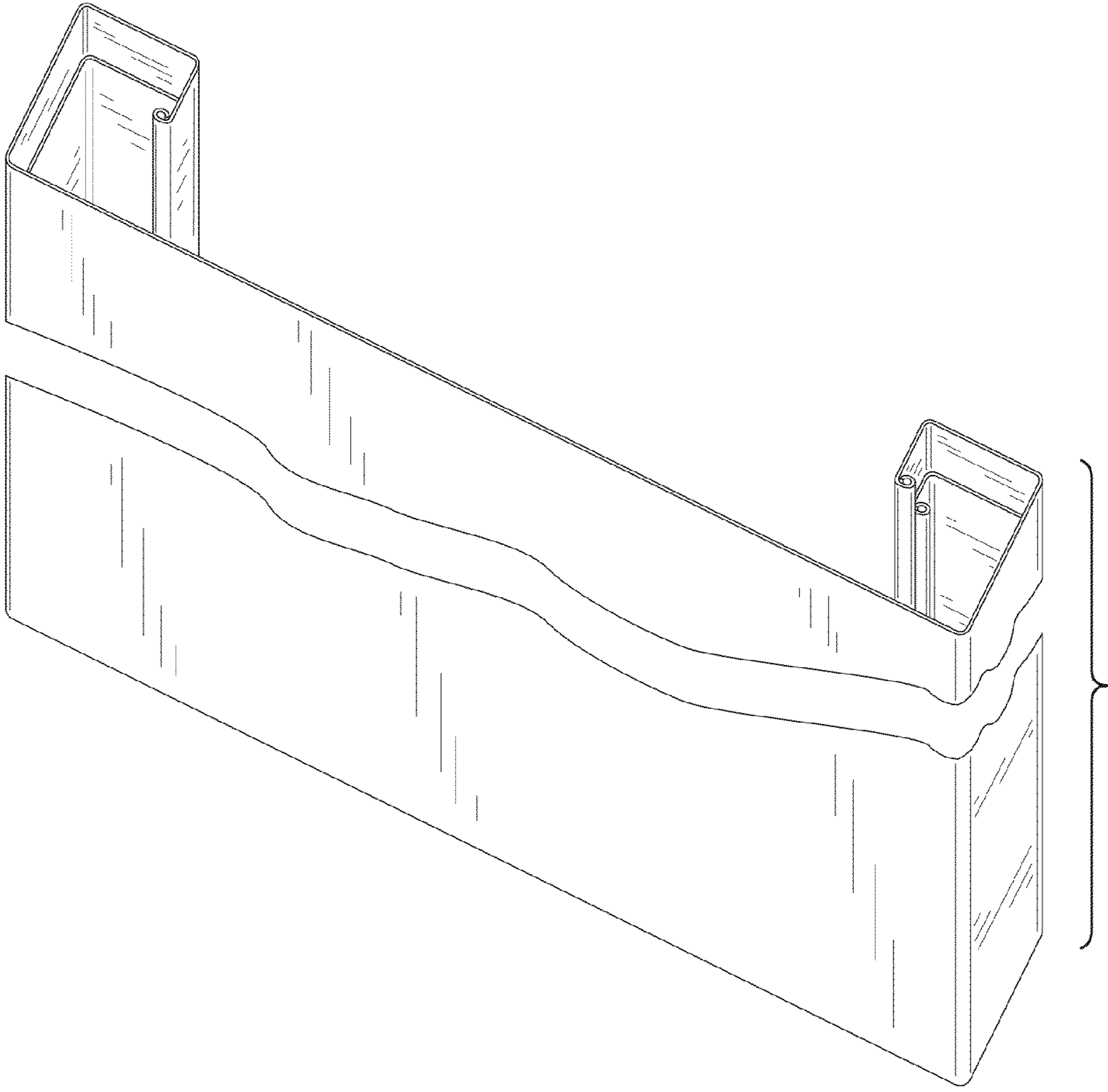


FIG.8



FIG. 9



FIG. 10