



US00D736409S

(12) **United States Design Patent**
Gouge et al.

(10) **Patent No.:** **US D736,409 S**

(45) **Date of Patent:** **** Aug. 11, 2015**

(54) **DOOR FACING**

(71) Applicant: **Masonite Corporation**, Tampa, FL (US)

(72) Inventors: **Timothy D. Gouge**, Elgin, IL (US);
Robert C. Allen, Elburn, IL (US)

(73) Assignee: **Masonite Corporation**, Tampa, FL (US)

(**) Term: **14 Years**

(21) Appl. No.: **29/469,189**

(22) Filed: **Oct. 8, 2013**

(51) **LOC (10) Cl.** **25-02**

(52) **U.S. Cl.**
USPC **D25/48.3**

(58) **Field of Classification Search**
USPC D25/48.3, 138; 52/455, 458, 784.13;
49/504, DIG. 2
See application file for complete search history.

(56) **References Cited**

U.S. PATENT DOCUMENTS

D528,665 S * 9/2006 Lynch et al. D25/48.3
D534,660 S * 1/2007 Lynch D25/48.3
D564,103 S * 3/2008 Meyer et al. D25/48.3

* cited by examiner

Primary Examiner — Doris Clark

(74) *Attorney, Agent, or Firm* — Berenato & White, LLC

(57) **CLAIM**

The ornamental design for a door facing, as shown and described.

DESCRIPTION

FIG. 1 is a front perspective view of our design;
FIG. 2 is a front elevational view;
FIG. 3 is a rear elevational view;
FIG. 4 is a top view;
FIG. 5 is a bottom view;
FIG. 6 is a cross-sectional view taken along the line 6-6 of FIG. 2;
FIG. 7 is an expanded view of a portion of FIG. 6;
FIG. 8 is a left side view;
FIG. 9 is a right side view;
FIG. 10 is a cross-sectional view taken along the line 10-10 of FIG. 2;
FIG. 11 is an expanded view of a portion of FIG. 10;
FIG. 12 is a front perspective view of a variation of our design;
FIG. 13 is a front elevational view of FIG. 12;
FIG. 14 is a rear elevational view of FIG. 12;
FIG. 15 is a top view of FIG. 12;
FIG. 16 is a bottom view of FIG. 12;
FIG. 17 is a cross-sectional view taken along the line 17-17 of FIG. 13;
FIG. 18 is an expanded view of a portion of FIG. 17;
FIG. 19 is a left side view of FIG. 12;
FIG. 20 is a right side view of FIG. 12;
FIG. 21 is a cross-sectional view taken along the line 21-21 of FIG. 13; and,
FIG. 22 is an expanded view of a portion of FIG. 21.

1 Claim, 12 Drawing Sheets

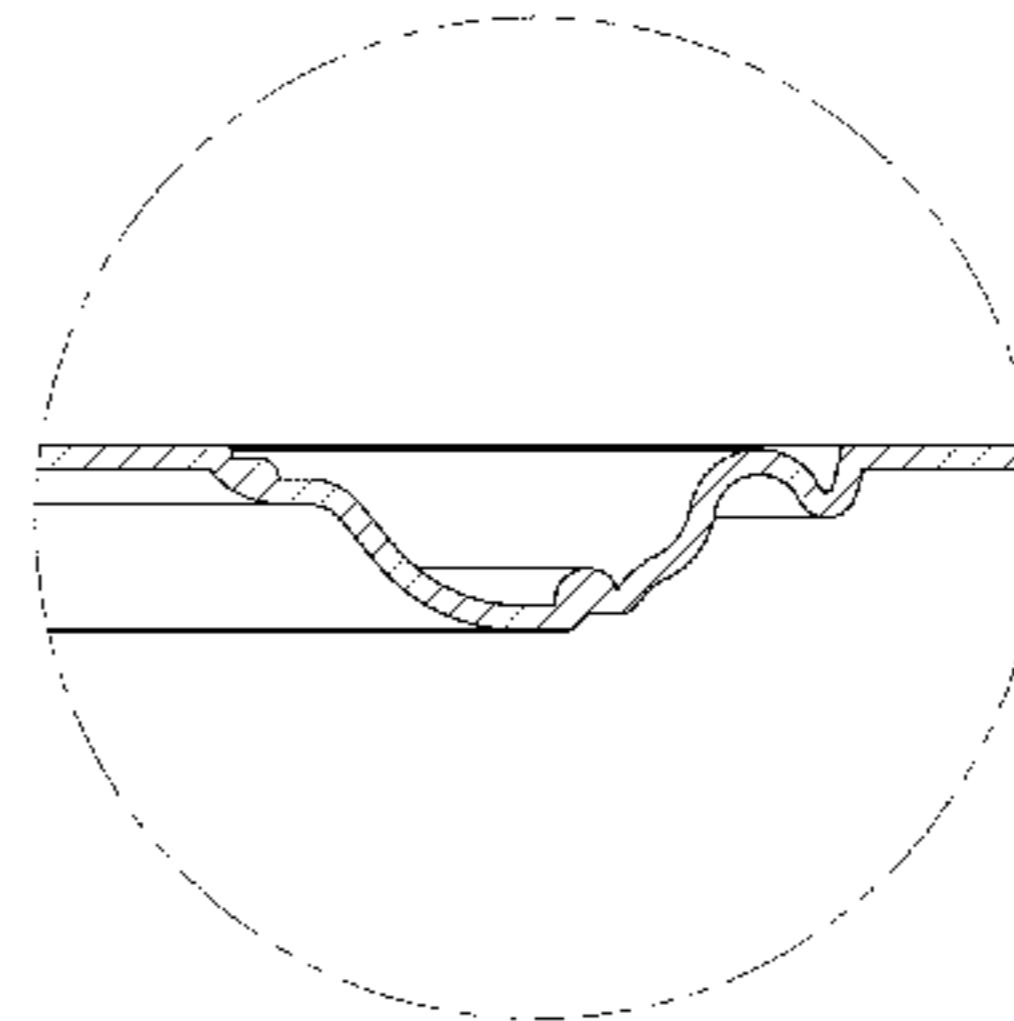
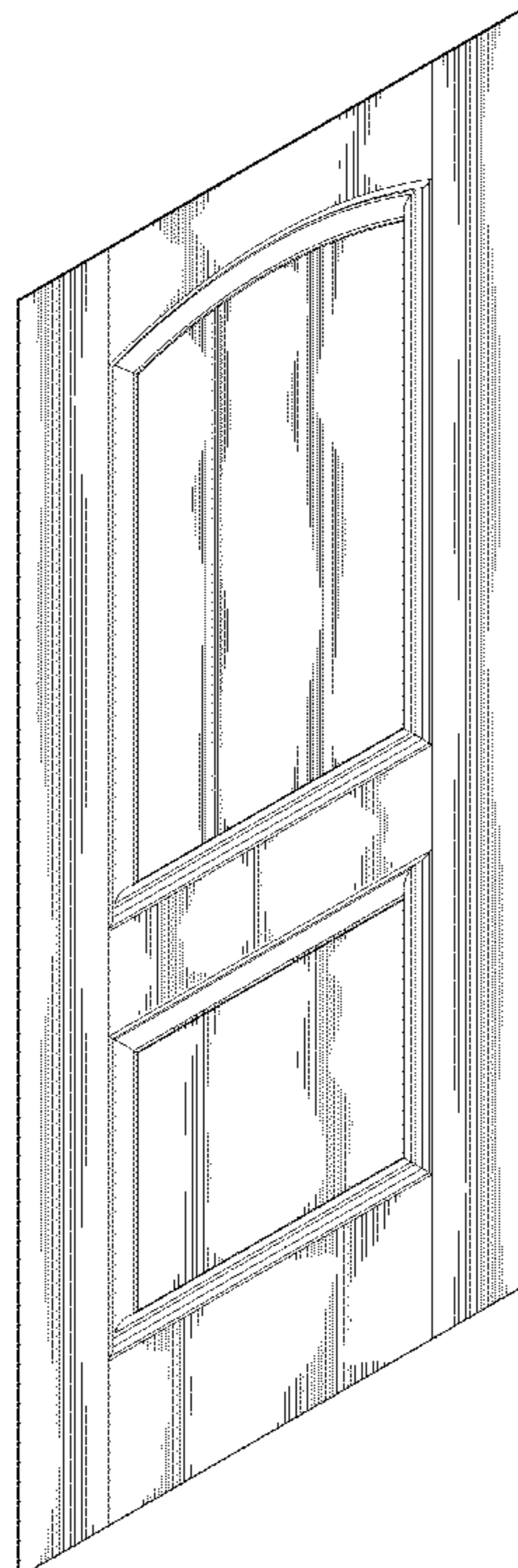
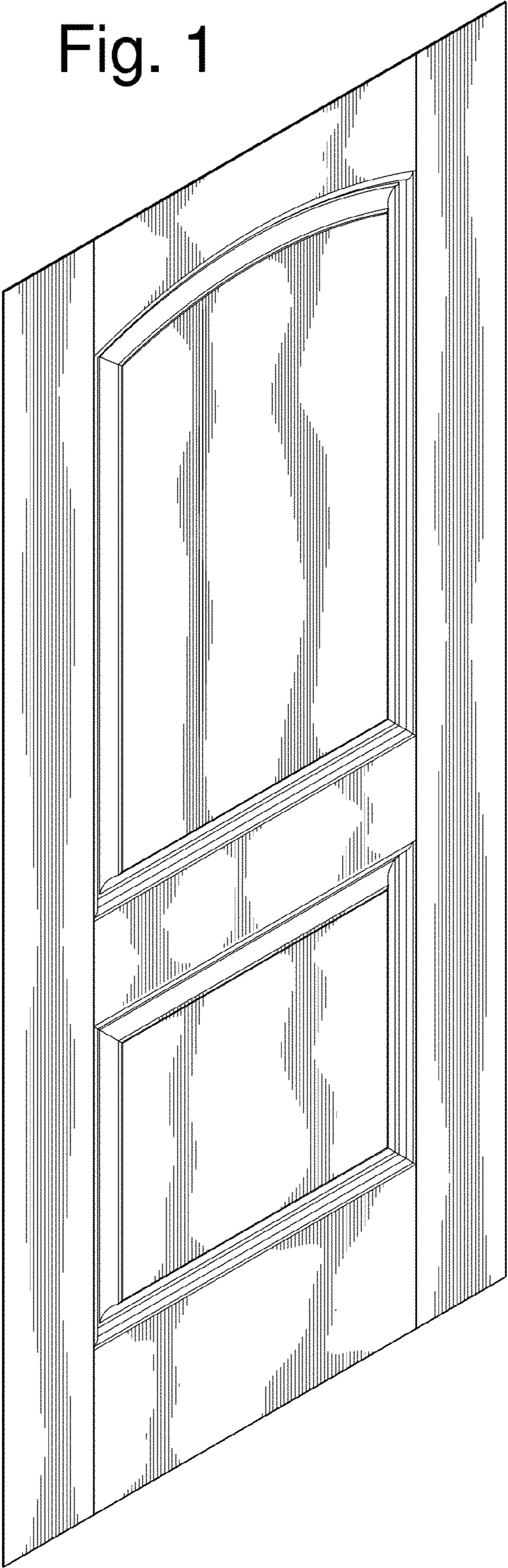


Fig. 1



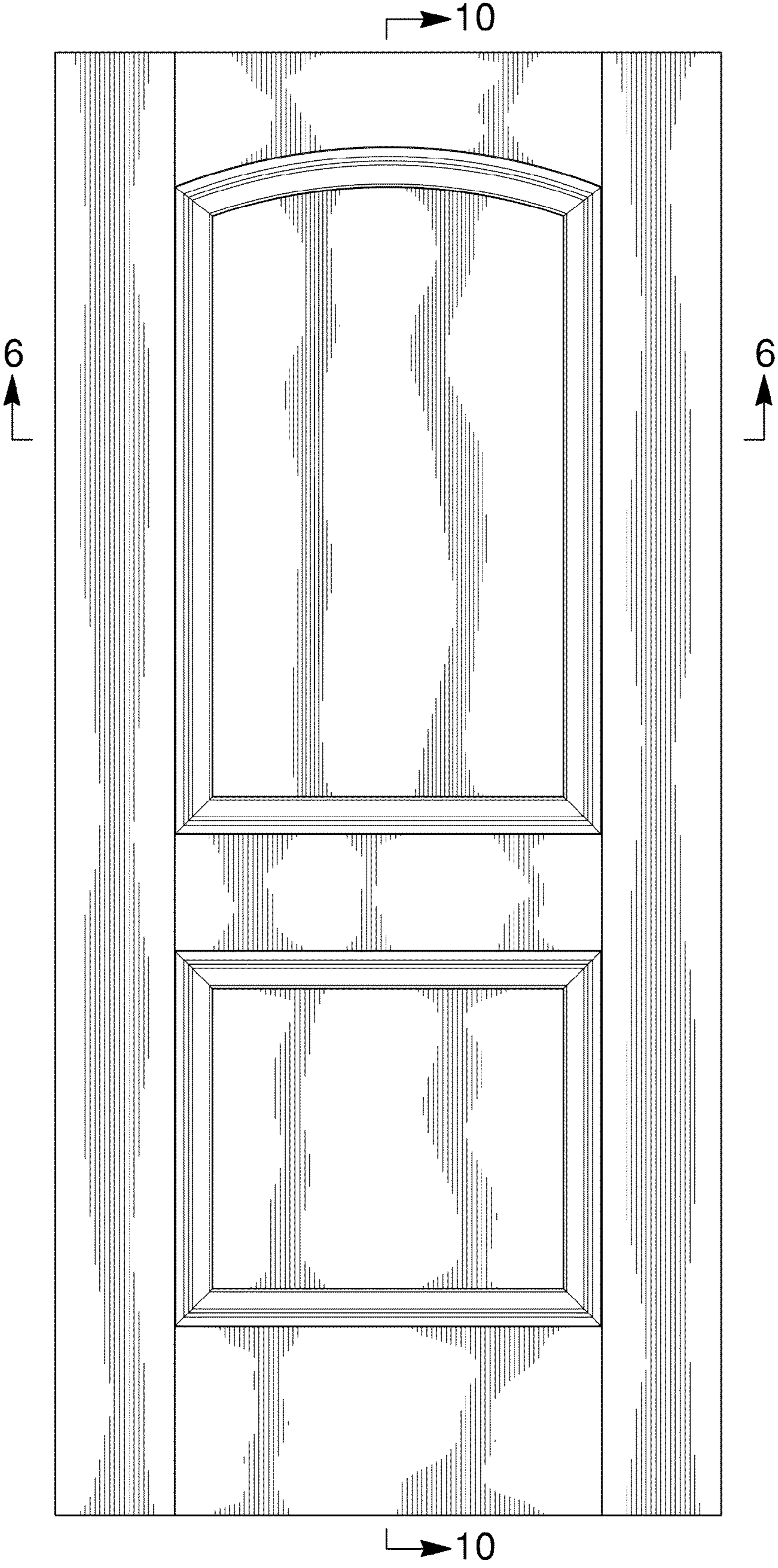


Fig. 2

Fig. 3

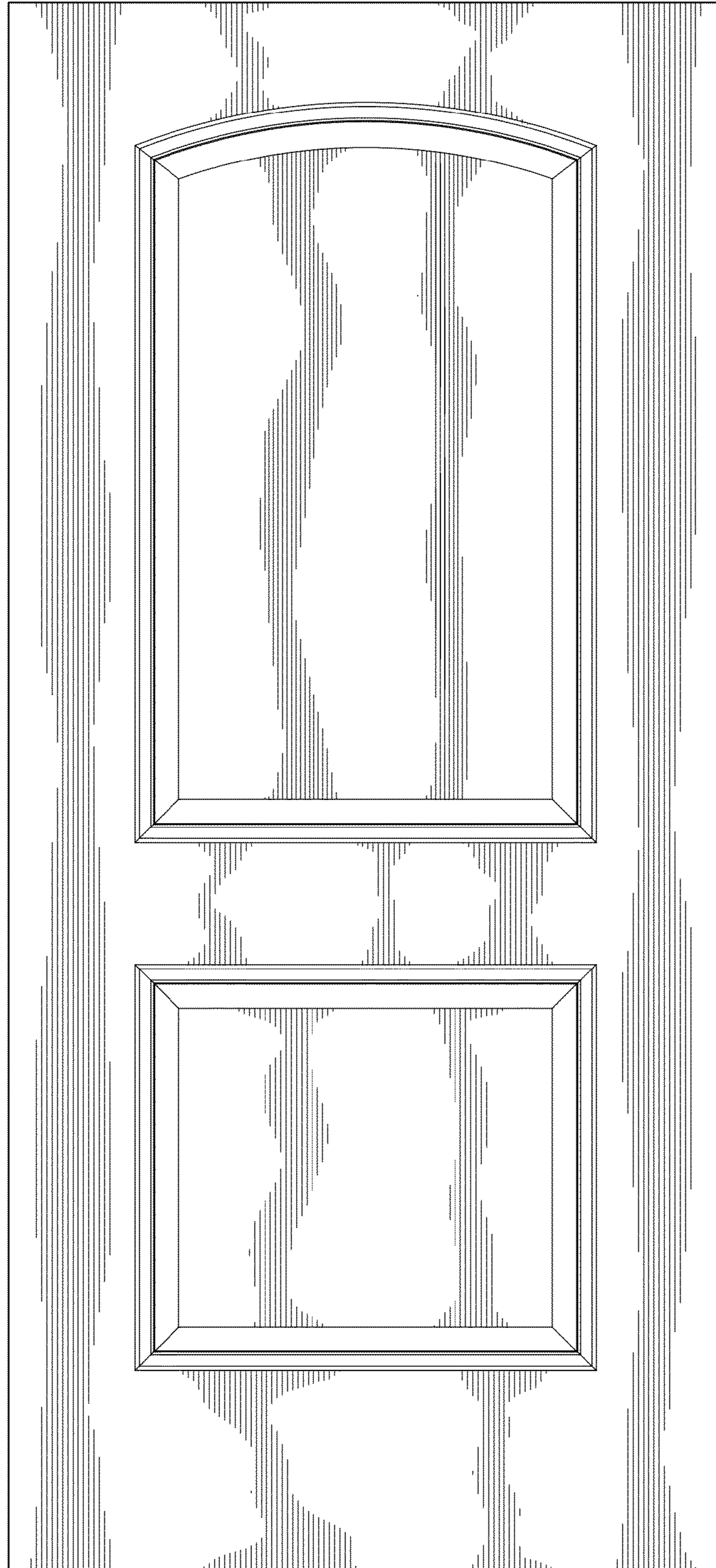


Fig. 4

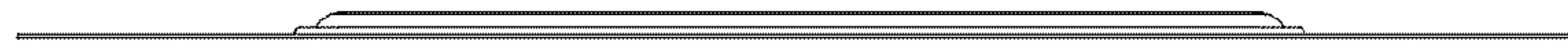


Fig. 5



Fig. 6



Fig. 7

Fig. 7

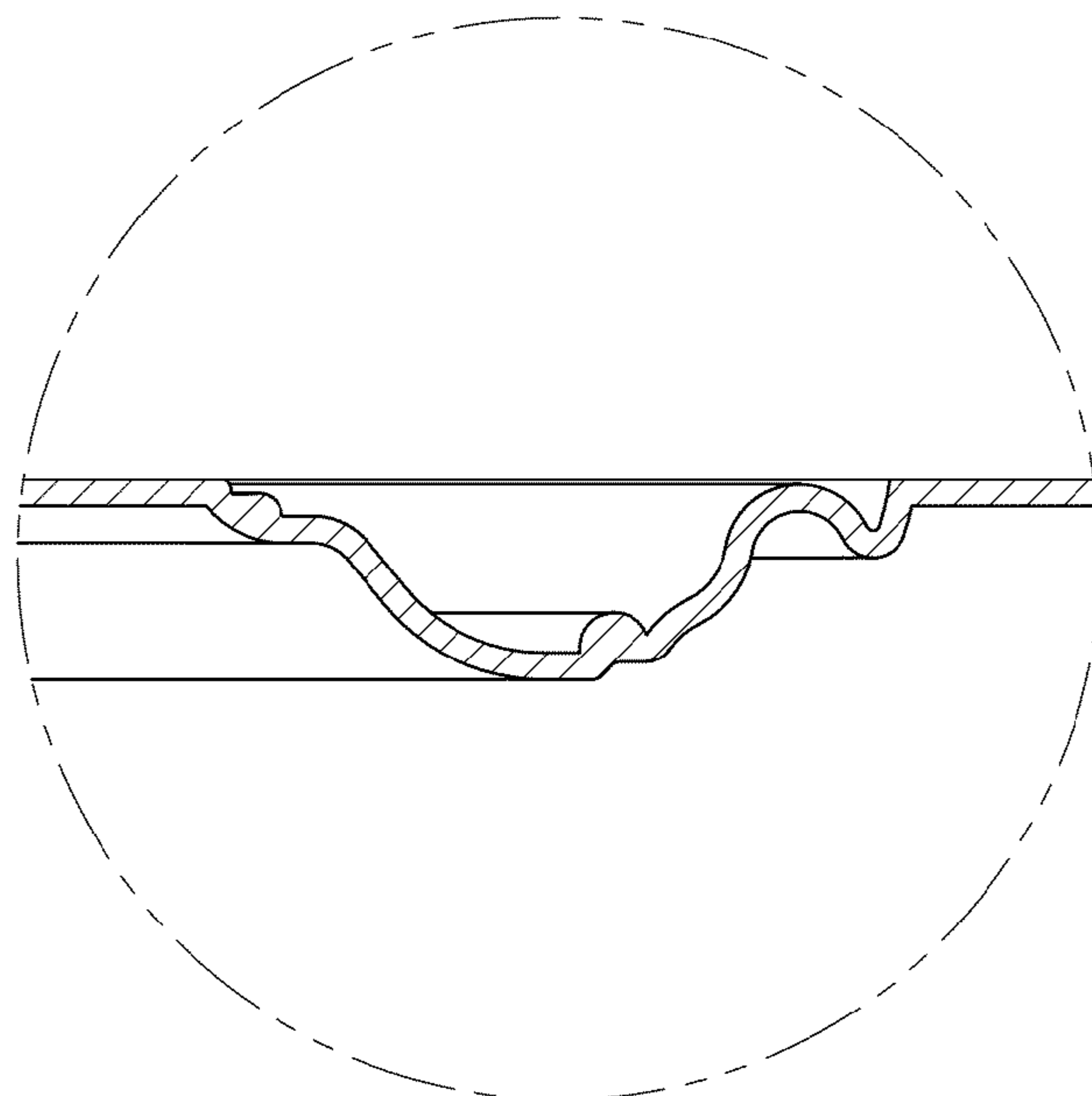


Fig. 8



Fig. 9



Fig. 10



Fig. 11

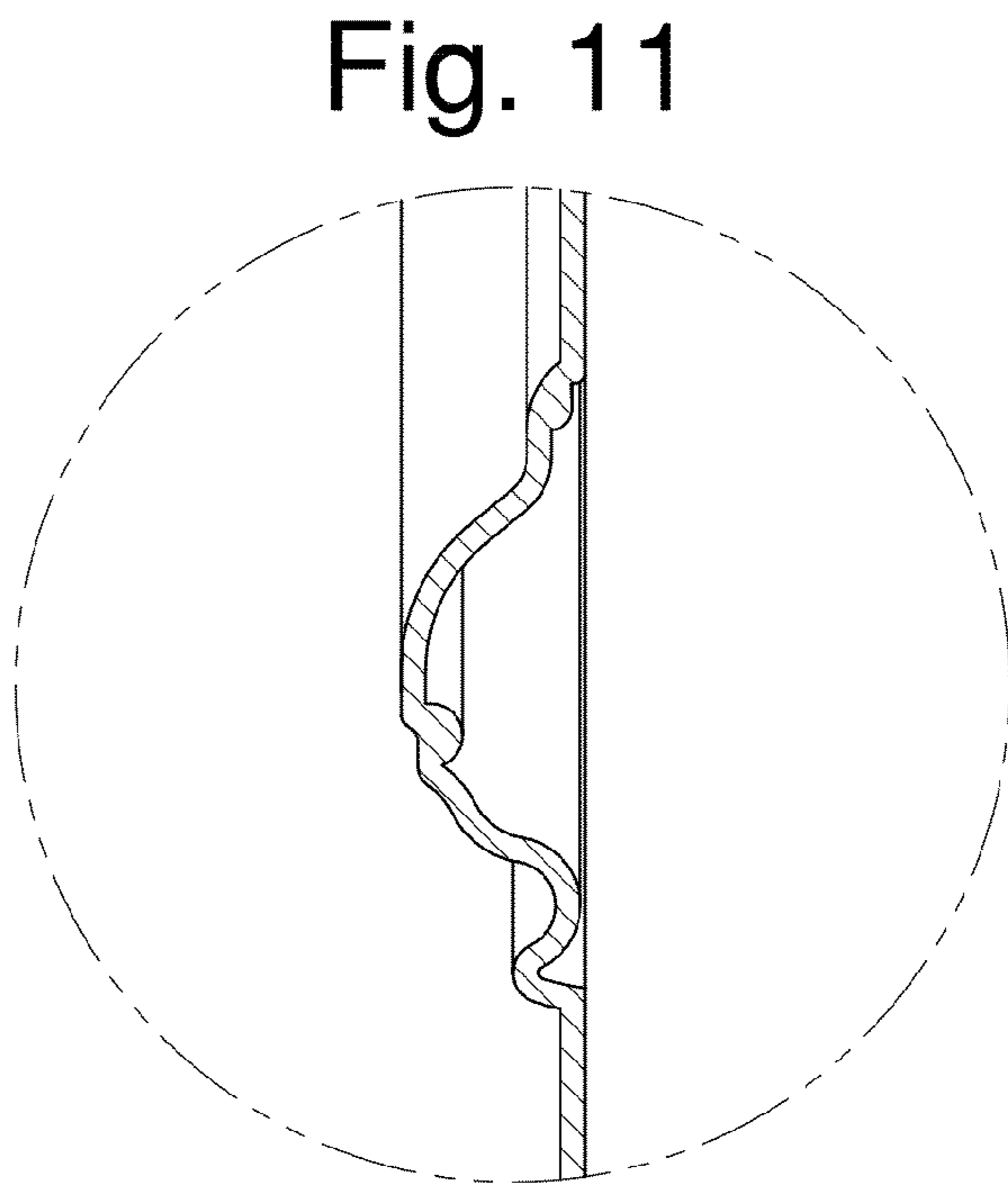
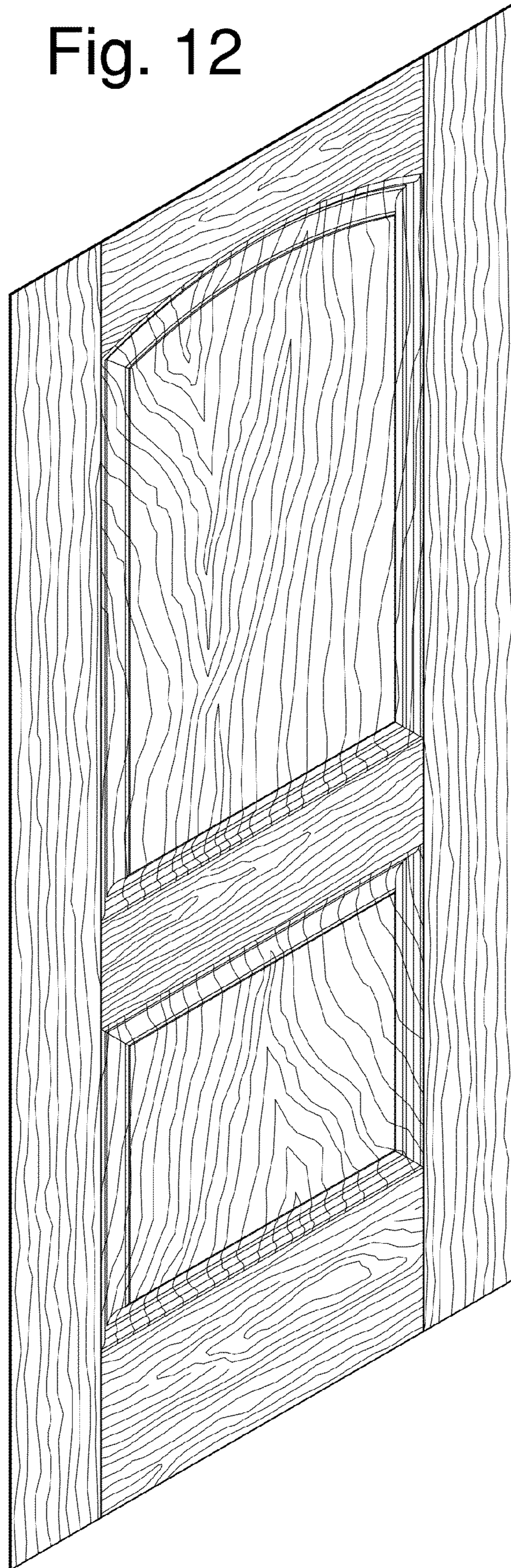


Fig. 11

Fig. 12



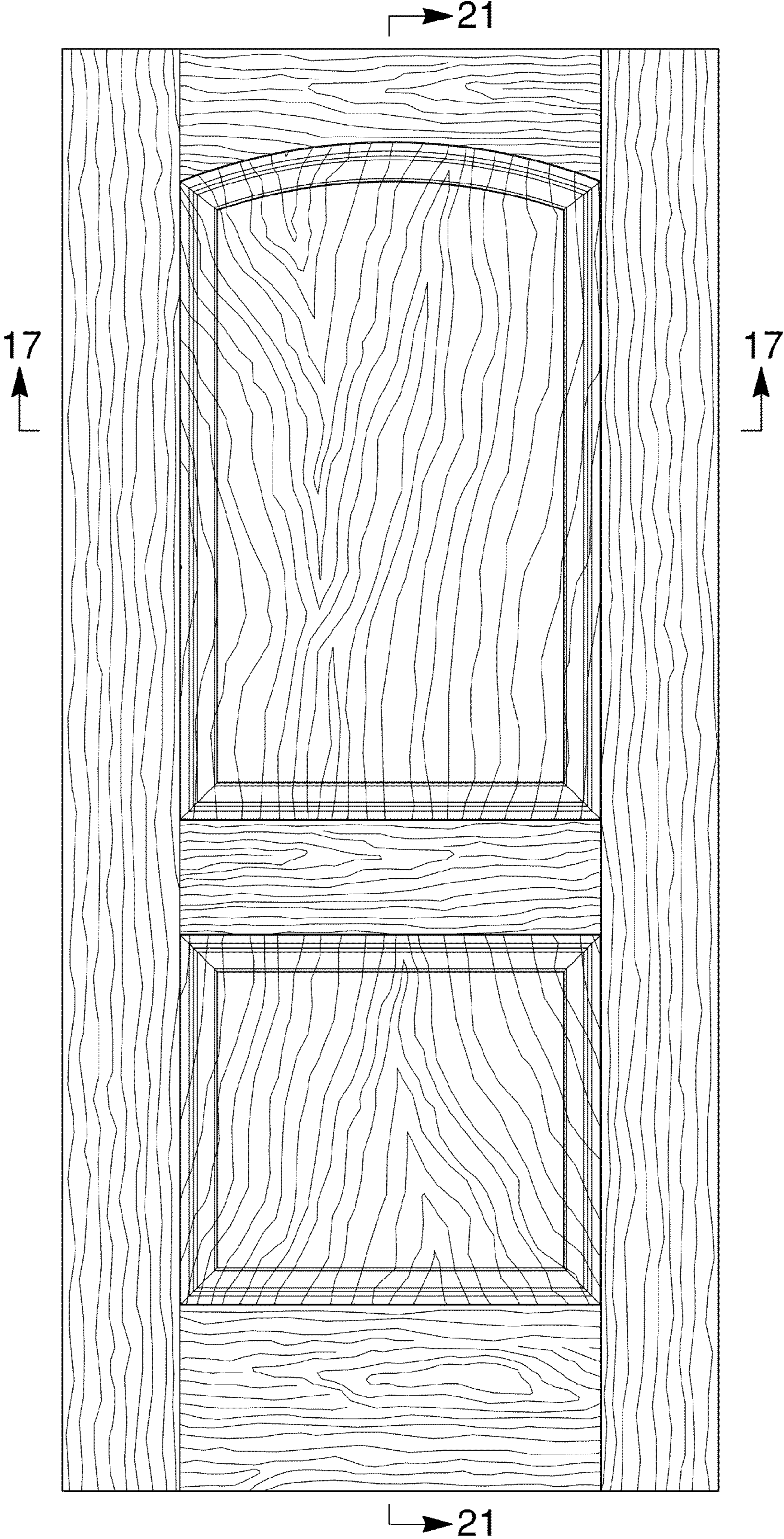


Fig. 13

Fig. 14

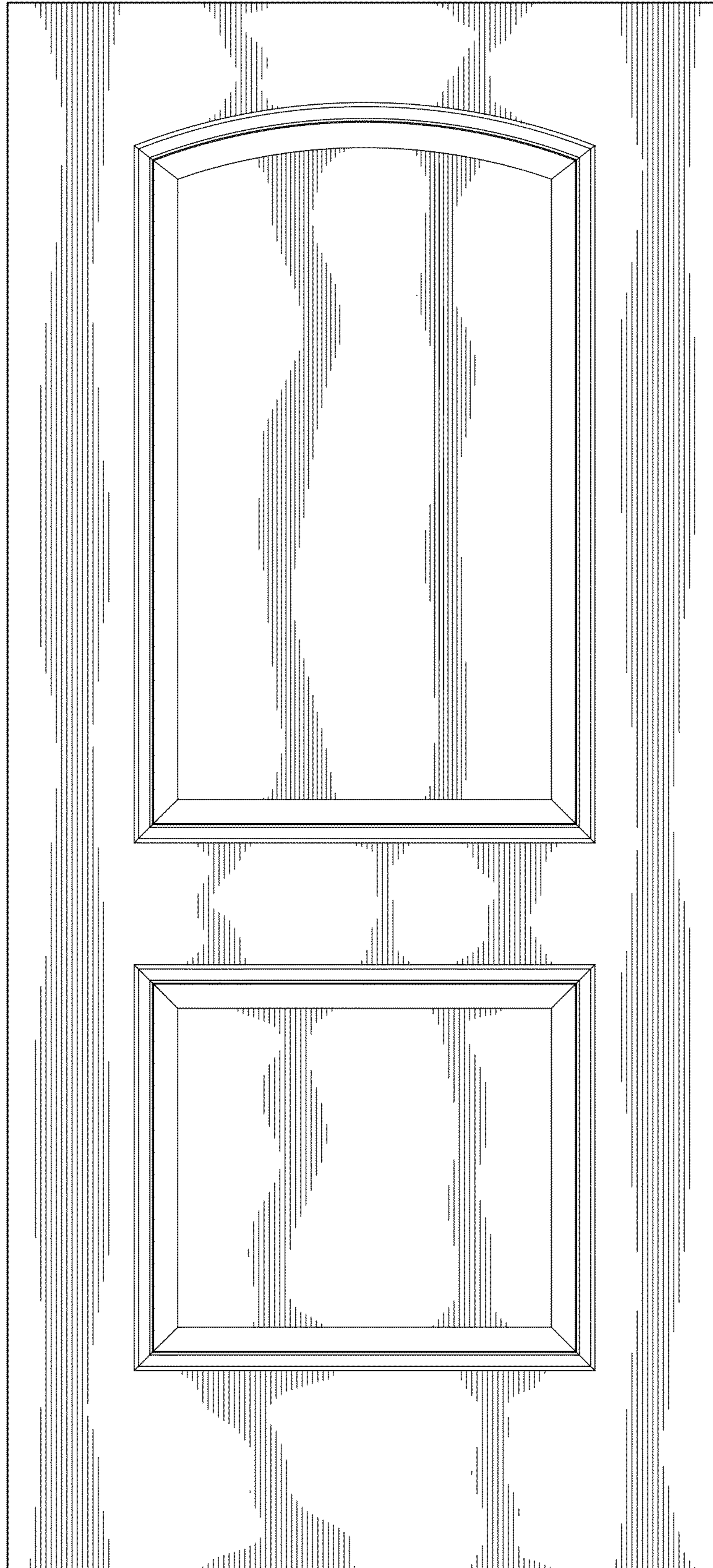


Fig. 15

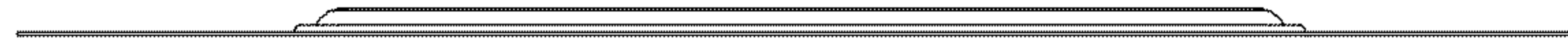


Fig. 16



Fig. 17



Fig. 18

Fig. 18

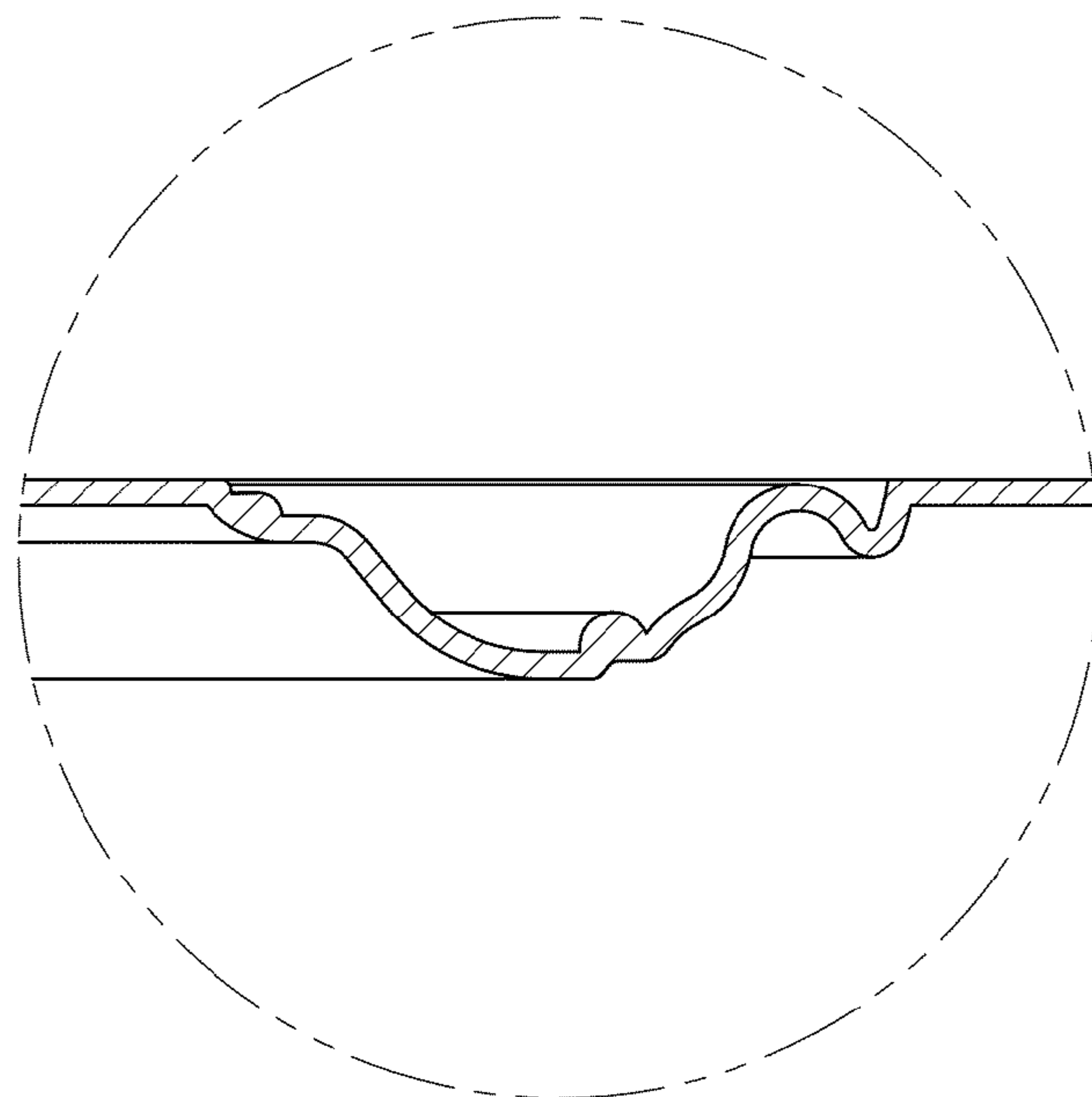


Fig. 19

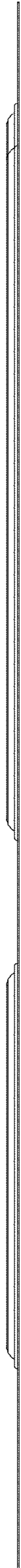


Fig. 20



Fig. 21



Fig. 22

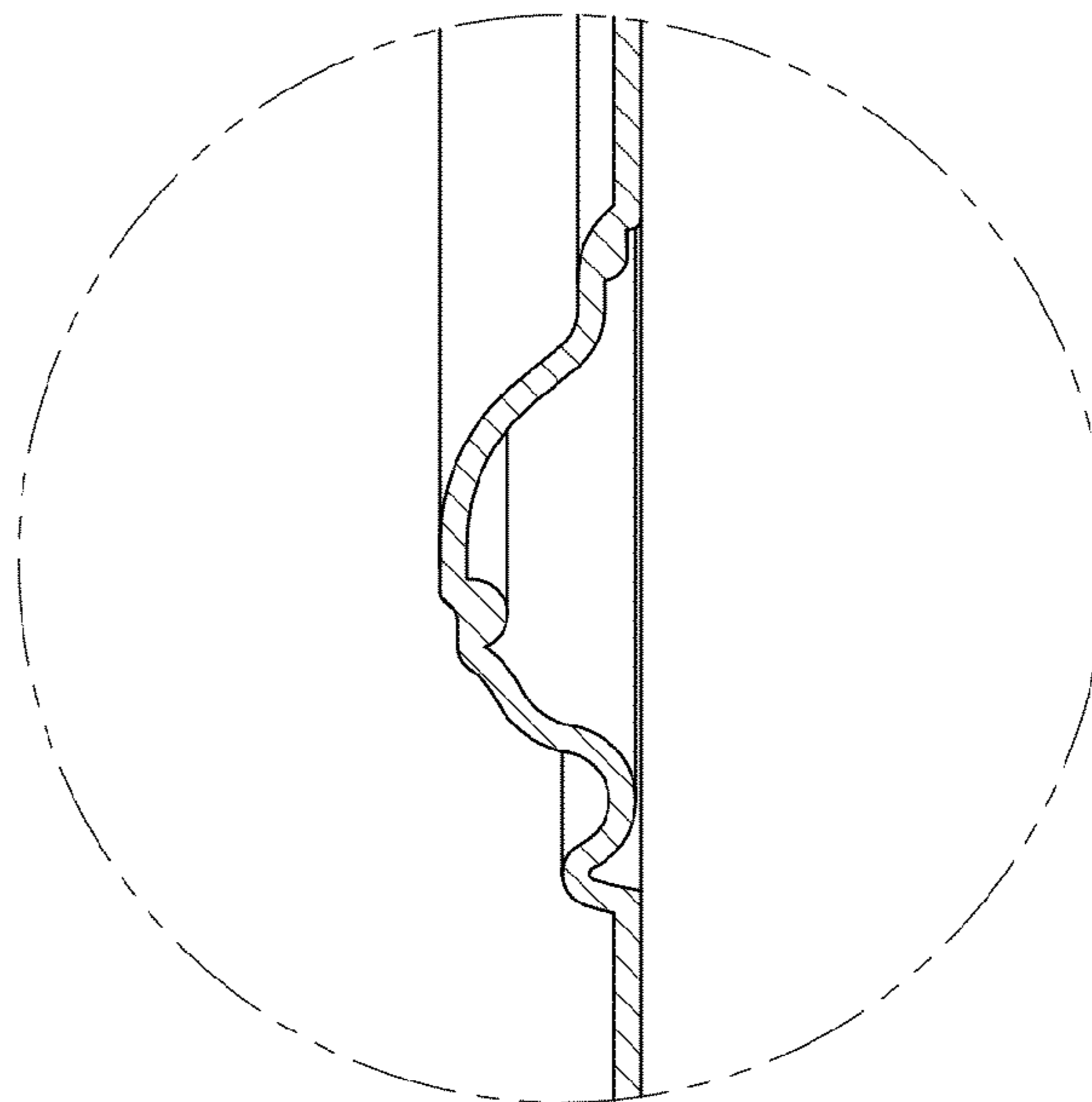


Fig. 22

