



US00D736408S

(12) **United States Design Patent**  
**Lindstedt**

(10) **Patent No.:** **US D736,408 S**

(45) **Date of Patent:** **\*\* Aug. 11, 2015**

(54) **DOOR JAMB REPAIR DEVICE**  
(71) Applicant: **Bradley B. Lindstedt**, Damascus, OR  
(US)  
(72) Inventor: **Bradley B. Lindstedt**, Damascus, OR  
(US)  
(\*\*) Term: **14 Years**

7,421,829	B2 *	9/2008	Gwynn	52/749.13
8,132,832	B2 *	3/2012	Anderson	292/340
8,769,875	B1 *	7/2014	Scoggins	49/467
8,904,713	B1 *	12/2014	Anderson	49/462
8,938,915	B2 *	1/2015	Jones et al.	49/460
9,016,736	B1 *	4/2015	Anderson	292/340
2005/0055978	A1 *	3/2005	Visser	52/749.1
2007/0261312	A1 *	11/2007	Kuppler	49/470
2007/0273164	A1 *	11/2007	Young	292/340

(Continued)

(21) Appl. No.: **29/482,426**  
(22) Filed: **Feb. 18, 2014**  
(51) **LOC (10) Cl.** ..... **25-02**  
(52) **U.S. Cl.**  
USPC ..... **D25/48.2**  
(58) **Field of Classification Search**  
USPC ..... D25/124, 119, 48.1, 48.2, 48.3, 48;  
49/467, 462, 470, 148, 149, 182;  
52/37, 210, 211, 213, 217, 656.5,  
52/204.1, 749.13, 582.1  
CPC ..... E05Y 2900/132; E05Y 2800/00;  
E05Y 2800/70; E04G 23/0203; E06B 3/88;  
E06B 1/70; E06B 1/347  
See application file for complete search history.

**FOREIGN PATENT DOCUMENTS**

JP	2009243180	A	*	10/2009
JP	201212219	A	*	6/2012

**OTHER PUBLICATIONS**

Internet search URL<<http://www.primeline.net/home4.wcs?cSearchtxt=DOOR+JAMB+REENFORCEMENT+KIT&nMenuid=10&cSearchtyp=10&cltem=U+11026>[date searched Apr. 23, 2015].\*

*Primary Examiner* — Philip S Hyder  
*Assistant Examiner* — Keith Frank  
(74) *Attorney, Agent, or Firm* — Mark S Hubert

(56) **References Cited**

**U.S. PATENT DOCUMENTS**

1,277,319	A *	8/1918	Joice	52/582.1
1,863,487	A *	6/1932	Kirkpatrick	292/346
2,616,531	A *	11/1952	Young	52/211
3,963,269	A *	6/1976	Rosenberg	292/346
D251,507	S *	4/1979	Maricic	D25/124
D262,059	S *	11/1981	Bittner	D25/119
D372,191	S *	7/1996	Bennett	D8/403
D375,446	S *	11/1996	Nelson	D8/343
D376,856	S *	12/1996	DiGiorgio	D25/124
5,581,948	A *	12/1996	Simonsen	49/460
5,893,243	A *	4/1999	Ortner	52/211
6,176,527	B1 *	1/2001	Bench	292/340
D527,114	S *	8/2006	Hamill	D25/124

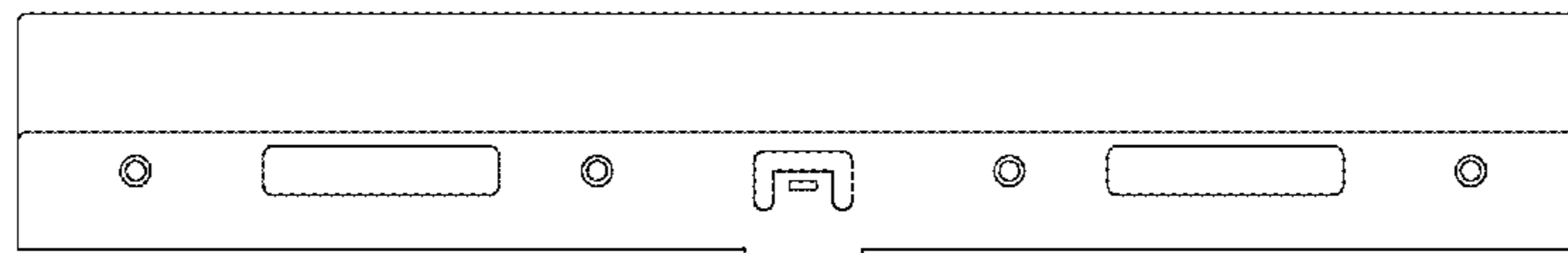
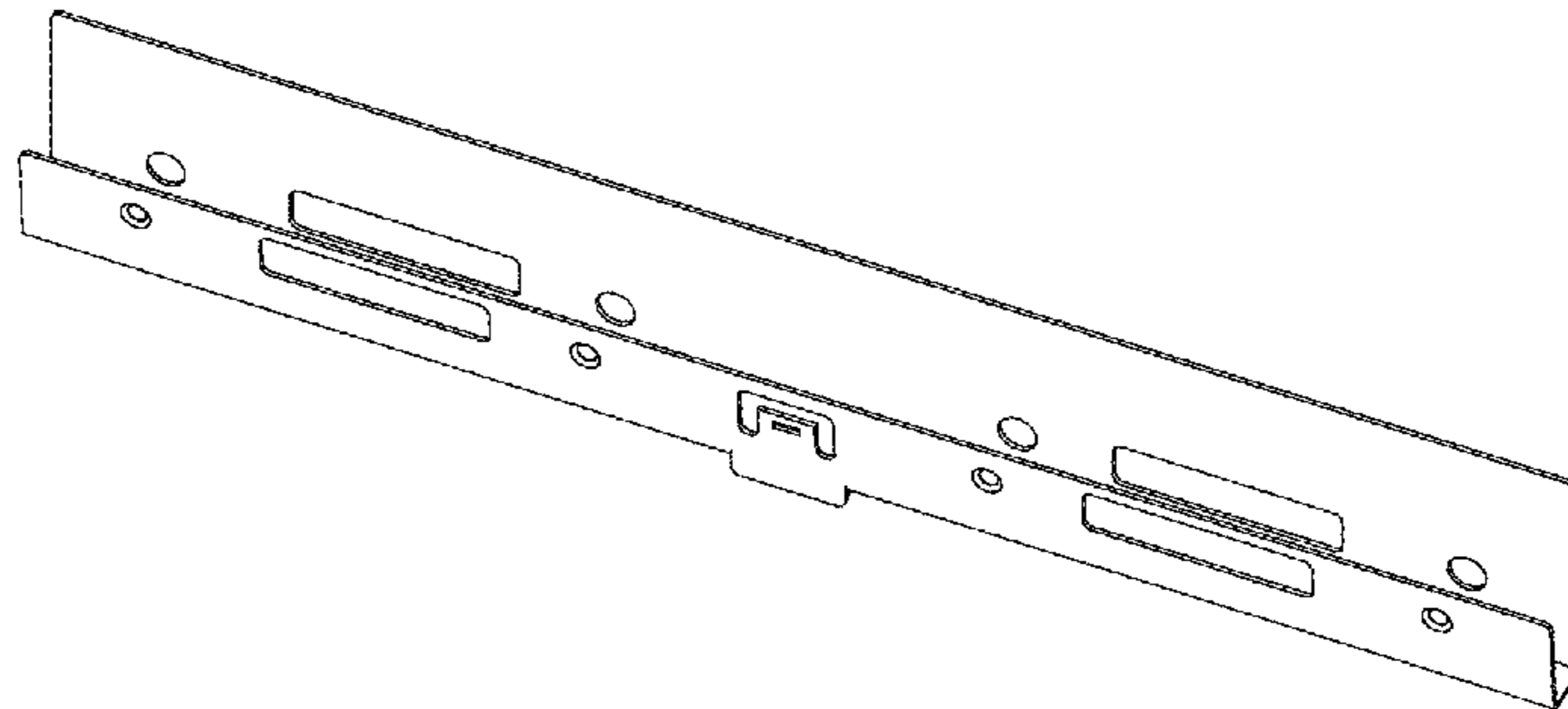
**CLAIM**

I claim the ornamental design for the door jamb repair device, as shown and described.

**DESCRIPTION**

FIG. 1 is a front perspective view of the door jamb repair device;  
FIG. 2 is a front view of the door jamb repair device;  
FIG. 3 is top view of the door jamb repair device;  
FIG. 4 is a right-side view of door jamb repair device;  
FIG. 5 is a rear view of the door jamb repair device;  
FIG. 6 is a left-side view of the door jamb repair device; and,  
FIG. 7 is a bottom view of the door jamb repair device.

**1 Claim, 3 Drawing Sheets**



# US D736,408 S

Page 2

---

(56)

## References Cited

### U.S. PATENT DOCUMENTS

2010/0126088 A1*	5/2010	Young .....	52/204.2
2012/0181801 A1*	7/2012	Willis et al. ....	292/338
2013/0074414 A1*	3/2013	Jones .....	49/462
2008/0229548 A1*	9/2008	Kimener et al. ....	16/96 R

\* cited by examiner

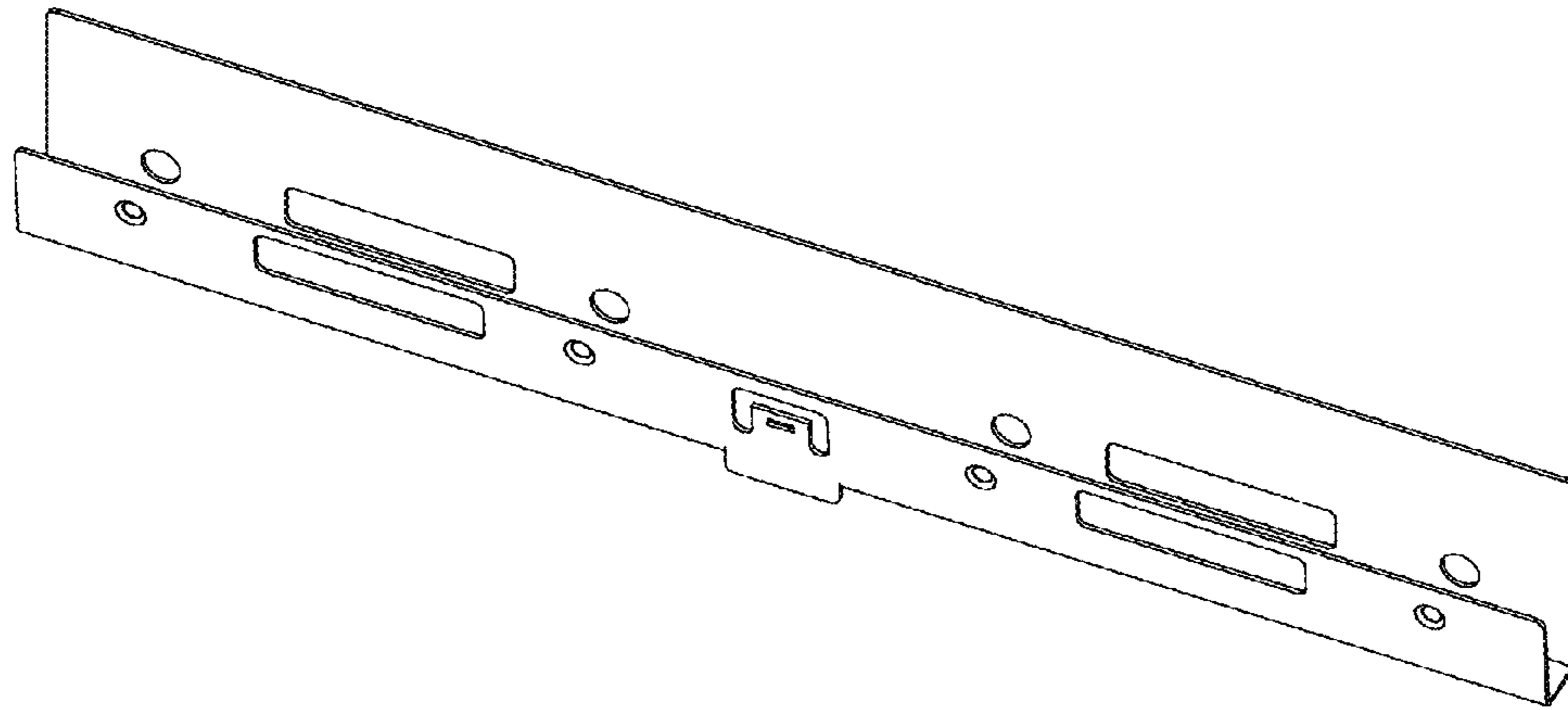


FIG. 1

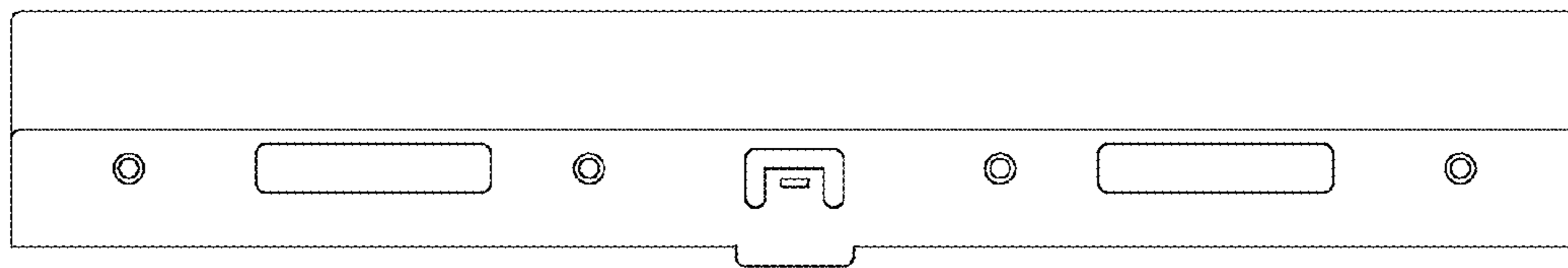


FIG. 2



FIG. 3



FIG. 4

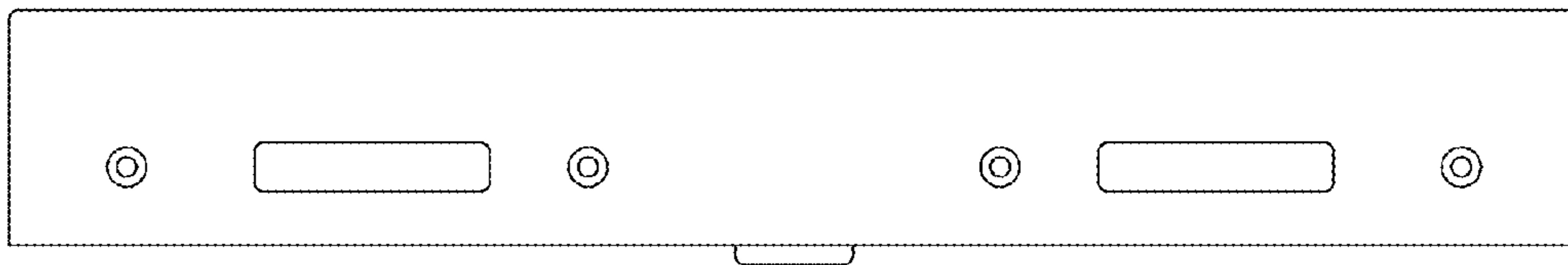


FIG. 5



FIG. 6

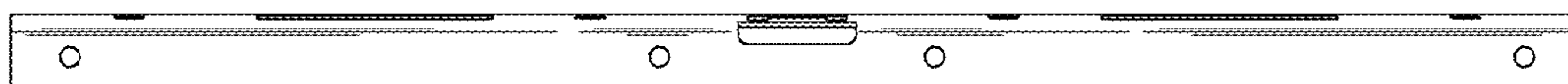


FIG. 7