



US00D736405S

(12) **United States Design Patent**
Mulhausen et al.

(10) **Patent No.:** **US D736,405 S**

(45) **Date of Patent:** **** Aug. 11, 2015**

- (54) **KIOSK**
- (71) Applicant: **BRIGGO, INC.**, Austin, TX (US)
- (72) Inventors: **Jeffrey William Mulhausen**, Austin, TX (US); **Yves Behar**, San Francisco, CA (US); **Gabriel Joshua Lamb**, Burlingame, CA (US); **Liam Robert Adelman**, San Francisco, CA (US)

- D293,735 S 1/1988 Ault
- 4,932,668 A 6/1990 Stewart
- D316,178 S 4/1991 Uemura
- D493,304 S 7/2004 Shaw
- D504,519 S 4/2005 Wehner
- D536,204 S 2/2007 Isett et al.
- D544,287 S 6/2007 Joss et al.
- D556,493 S 12/2007 Isett et al.
- D681,030 S 4/2013 Yopez

(73) Assignee: **Briggo, Inc.**, Austin, TX (US)

(**) Term: **14 Years**

(21) Appl. No.: **29/450,171**

(22) Filed: **Mar. 15, 2013**

(51) **LOC (10) Cl.** **25-03**

(52) **U.S. Cl.**
USPC **D25/1**

(58) **Field of Classification Search**
USPC D25/1; D3/281, 905, 276; D6/670;
D7/300, 305, 307; D12/350, 386, 532;
52/79.1-79.6

See application file for complete search history.

(56) **References Cited**

U.S. PATENT DOCUMENTS

- 2,026,082 A 12/1935 Darrow
- 3,543,456 A * 12/1970 Gregoire 52/92.2
- D222,315 S 10/1971 Abraham
- 3,708,779 A 1/1973 Enright et al.
- 4,122,944 A 10/1978 De Napoli
- 4,360,205 A 11/1982 Rimbold
- D270,119 S 8/1983 Rhodenbaugh
- D285,256 S * 8/1986 Connolly D25/1

OTHER PUBLICATIONS

Notice of Allowance for Design U.S. Appl. No. 29/450,197, dated Jan. 28, 2015, 8 pages.

Notice of Allowance for Design U.S. Appl. No. 29/450,185, dated Dec. 4, 2014, 8 pages.

Design U.S. Appl. No. 29/450,185, filed Mar. 15, 2013, 3 pages.

Design U.S. Appl. No. 29/450,197, filed Mar. 15, 2013, 3 pages.

* cited by examiner

Primary Examiner — Ian Simmons

Assistant Examiner — Samantha Q Lawrence

(74) *Attorney, Agent, or Firm* — Reising Ethington P.C.

(57) **CLAIM**

The ornamental design for a kiosk, as shown and described.

DESCRIPTION

FIG. 1 is a perspective view of an embodiment of a kiosk showing our new design.

FIG. 2 is a front view of the kiosk of FIG. 1.

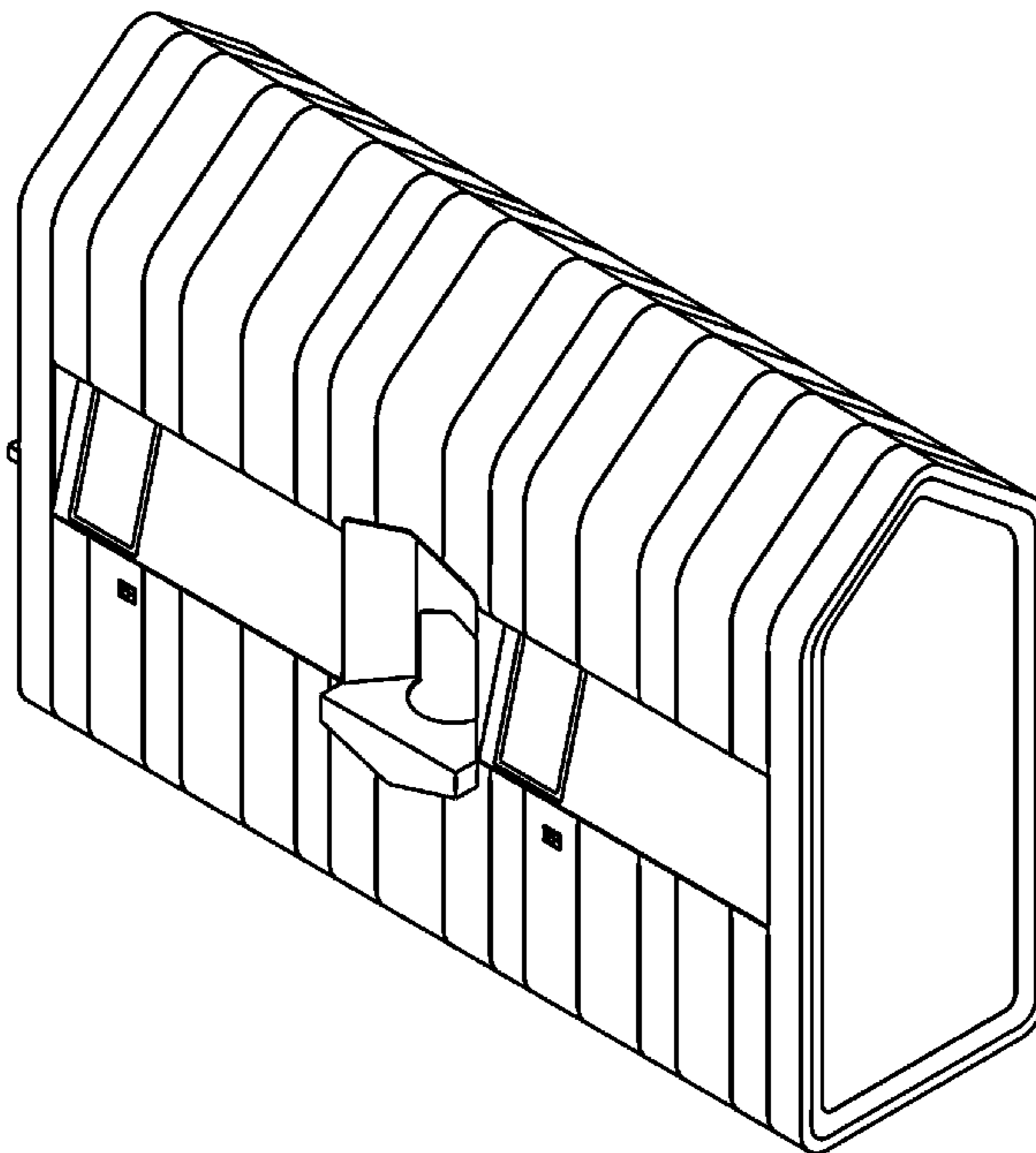
FIG. 3 is a top view of the kiosk of FIG. 1.

FIG. 4 is a left side view of the kiosk of FIG. 1; and,

FIG. 5 is a right side view of the kiosk of FIG. 1.

The broken lines shown in FIG. 4 illustrate portions of the kiosk that form no part of the claimed design.

1 Claim, 2 Drawing Sheets



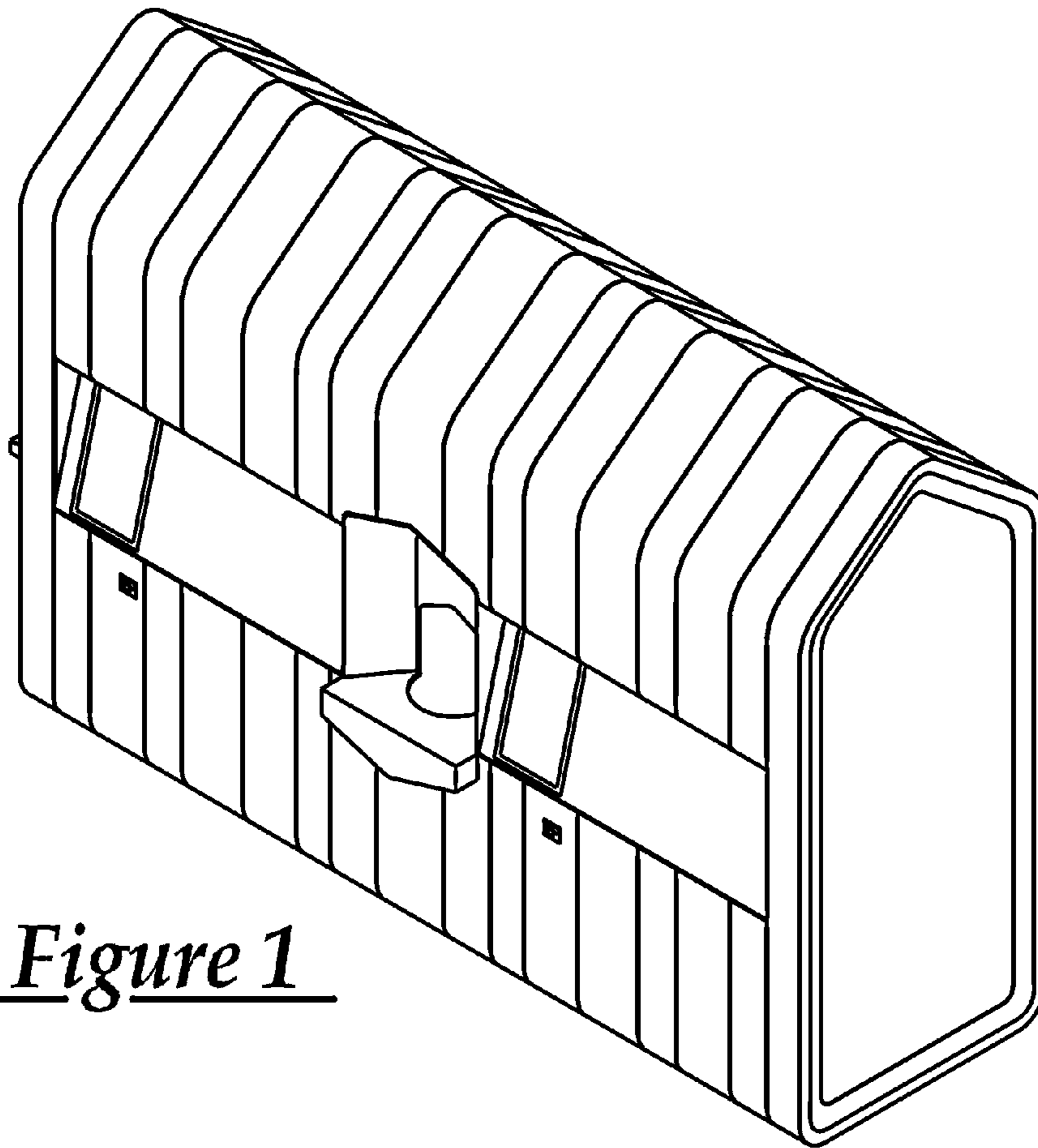
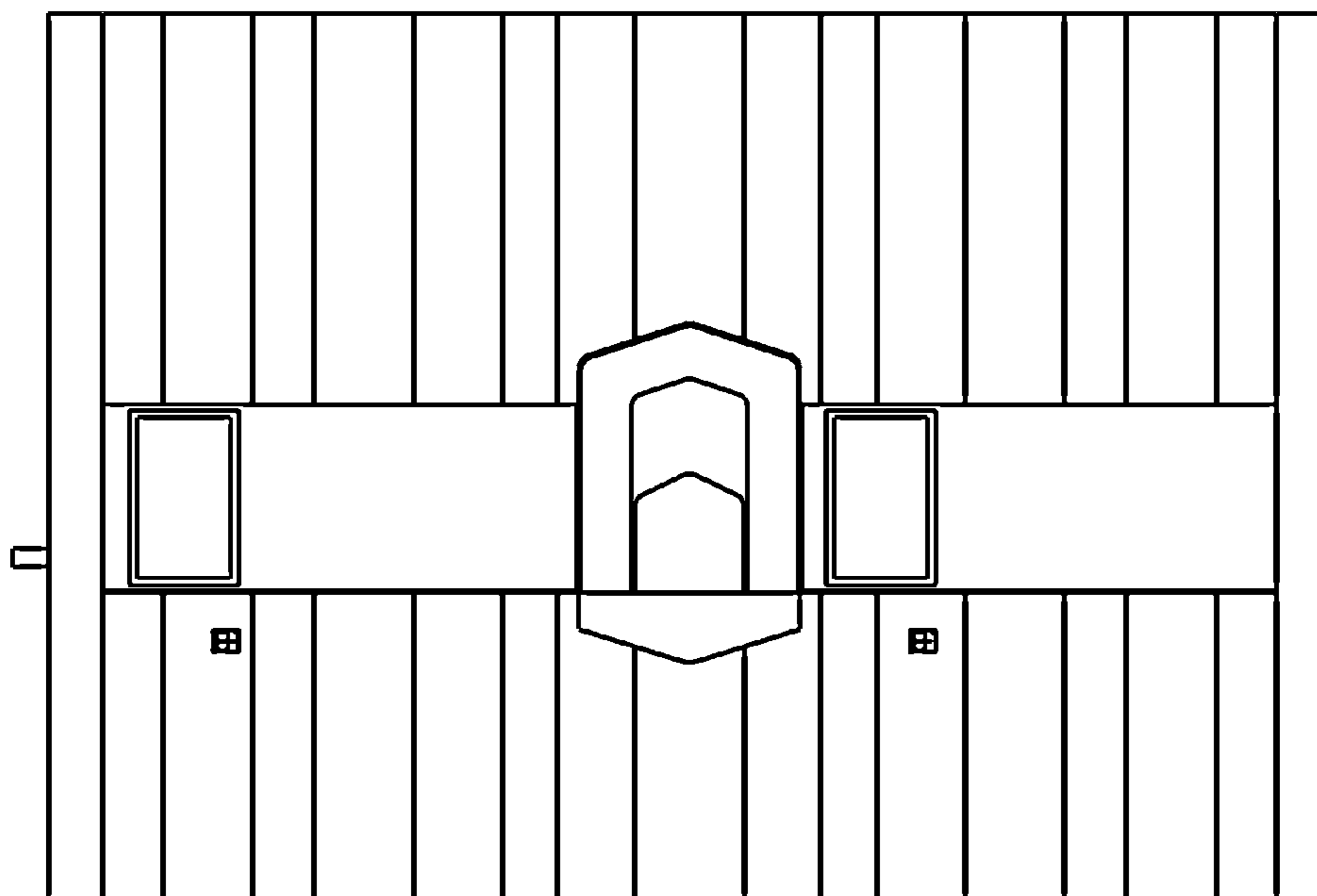


Figure 1

Figure 2



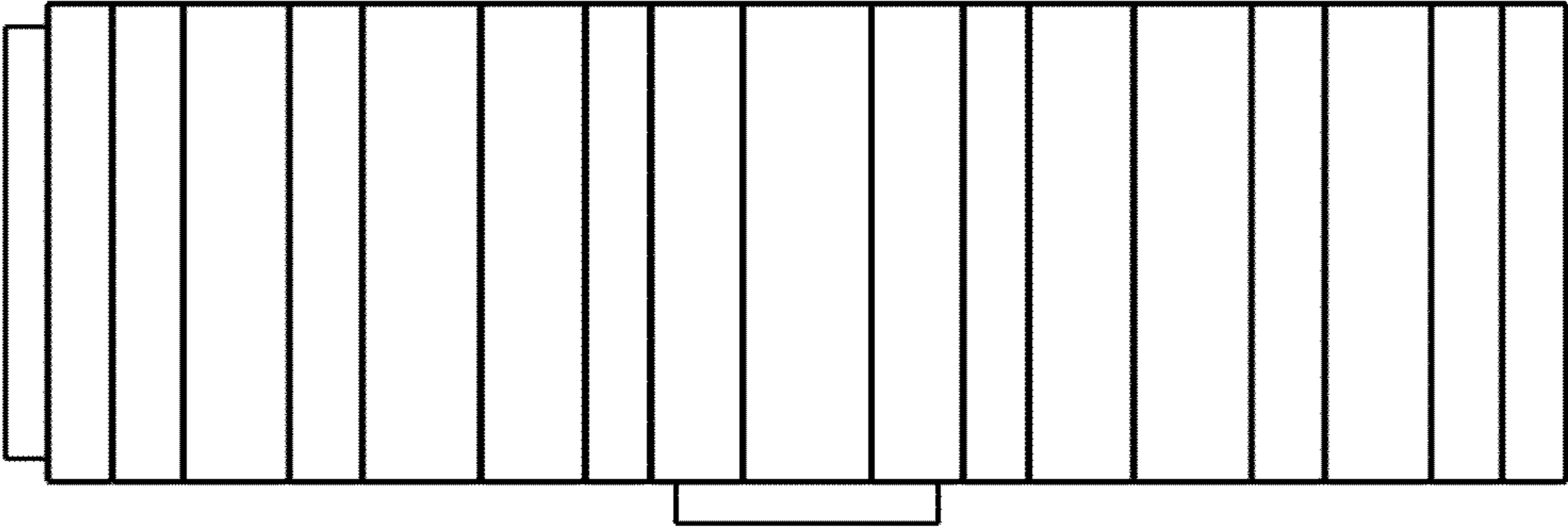


Figure 3

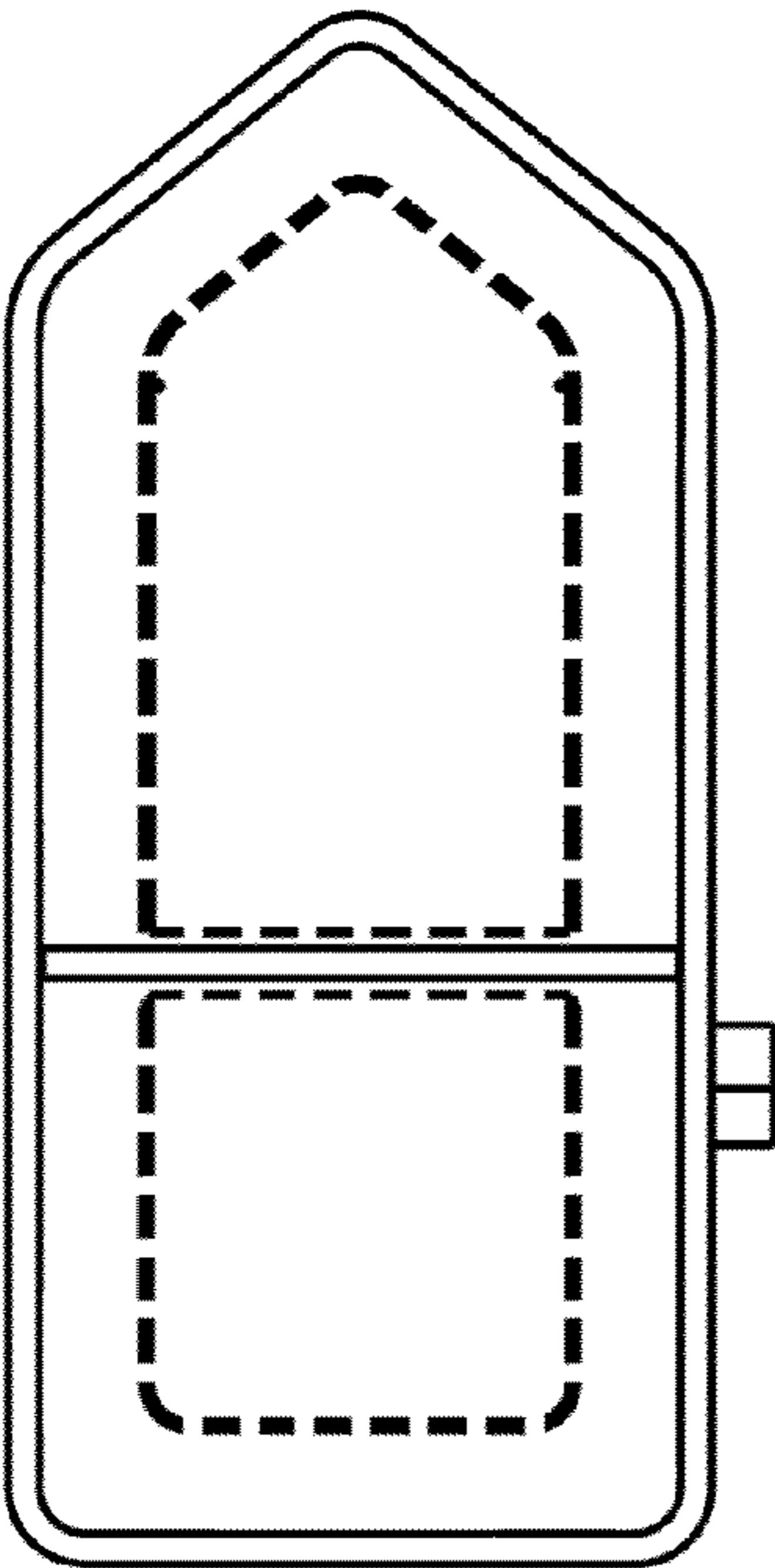


Figure 4

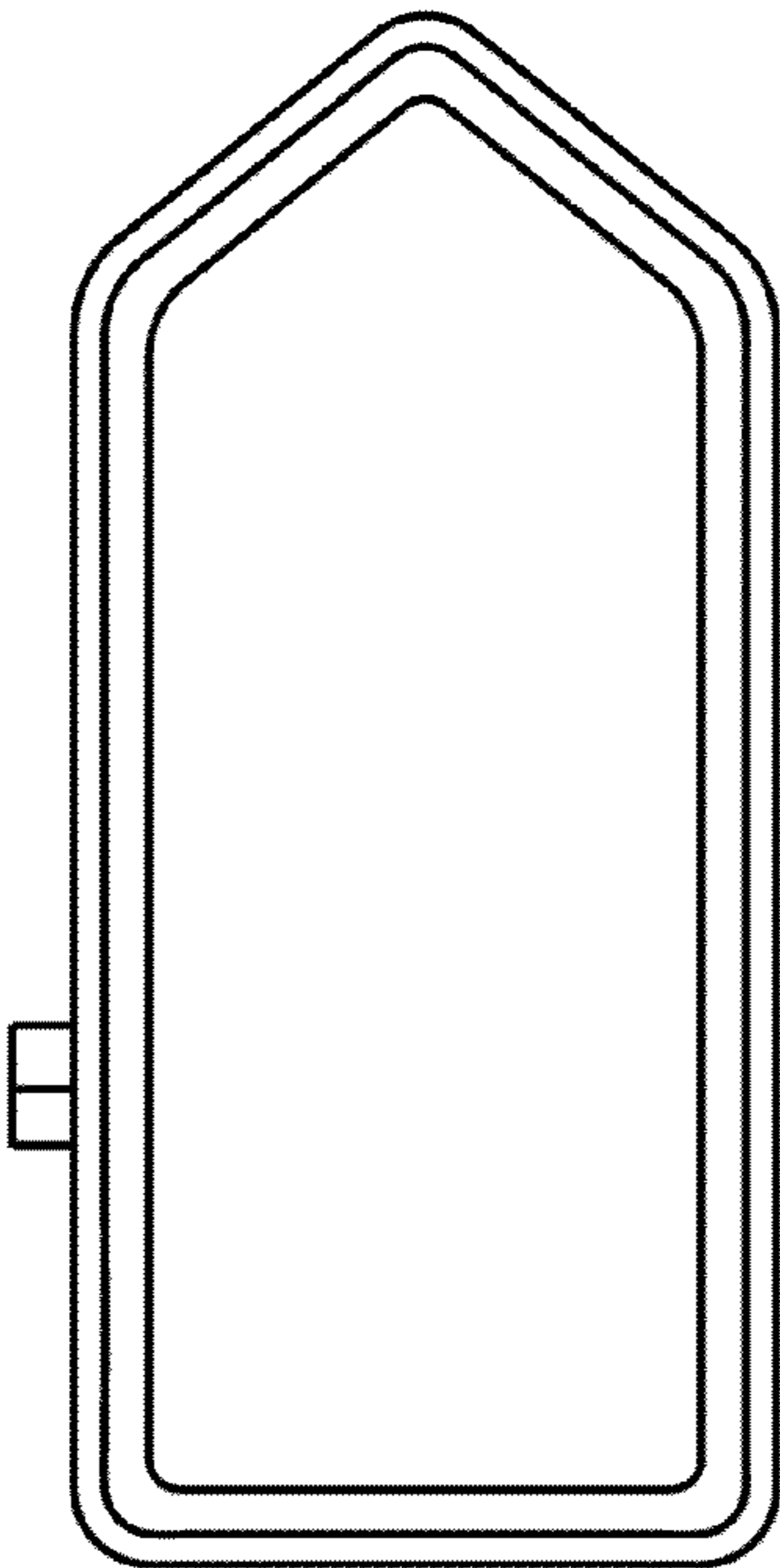


Figure 5