



US00D736404S

(12) **United States Design Patent**
Priebe et al.

(10) **Patent No.:** **US D736,404 S**
(45) **Date of Patent:** **** Aug. 11, 2015**

- (54) **PILL FILL TRAY**
- (71) Applicant: **Apothecary Products, Inc.**, Burnsville, MN (US)
- (72) Inventors: **Robert N. Priebe**, Bloomington, MN (US); **Terrance O. Noble**, Burnsville, MN (US)
- (73) Assignee: **Apothecary Products, LLC**, Burnsville, MN (US)
- (**) Term: **14 Years**
- (21) Appl. No.: **29/469,155**
- (22) Filed: **Oct. 8, 2013**

D320,930 S	10/1991	Richards	
D322,400 S	12/1991	Sorensen	
D322,934 S *	1/1992	Kalvelage	D9/732
D340,860 S *	11/1993	Gordon et al.	D24/226
D350,478 S *	9/1994	Fuller et al.	D3/203.3
5,346,069 A *	9/1994	Intini	206/531
D351,995 S *	11/1994	Kalvelage	D3/203.3
D411,445 S *	6/1999	Anderson	D3/203.3
D414,106 S	9/1999	Anderson	
6,023,916 A	2/2000	Bouthiette	
6,338,408 B1	1/2002	Anderson	
D454,781 S *	3/2002	Assargren et al.	D9/732
6,832,686 B2 *	12/2004	Donegan	206/531

(Continued)

OTHER PUBLICATIONS

Apothecary Products, Inc. EZY DOSE Memory Pac™ System Pill Dispenser Identification Card. Product publicly available prior to Feb. 25, 2005.

(Continued)

Related U.S. Application Data

- (62) Division of application No. 29/444,415, filed on Jan. 30, 2013, now Pat. No. Des. 694,906.
- (51) **LOC (10) Cl.** **24-01**
- (52) **U.S. Cl.**
USPC **D24/229**
- (58) **Field of Classification Search**
USPC D24/185, 216–232, 127–128;
D3/203.1–203.8, 304;
D6/406.1–406.3, 406.6; D9/341, 345,
D9/347, 348, 415, 418, 419, 430, 732;
422/58, 99, 102, 104, 297, 400,
422/560–564, 509, 942; 206/461–471, 526,
206/528, 531–531, 534–539; 211/85.13,
211/126.14, 174
See application file for complete search history.

Primary Examiner — T. Chase Nelson

Assistant Examiner — Mark Cavanna

(74) *Attorney, Agent, or Firm* — Merchant & Gould P.C.

(57) **CLAIM**

The ornamental design for pill fill tray, as shown and described.

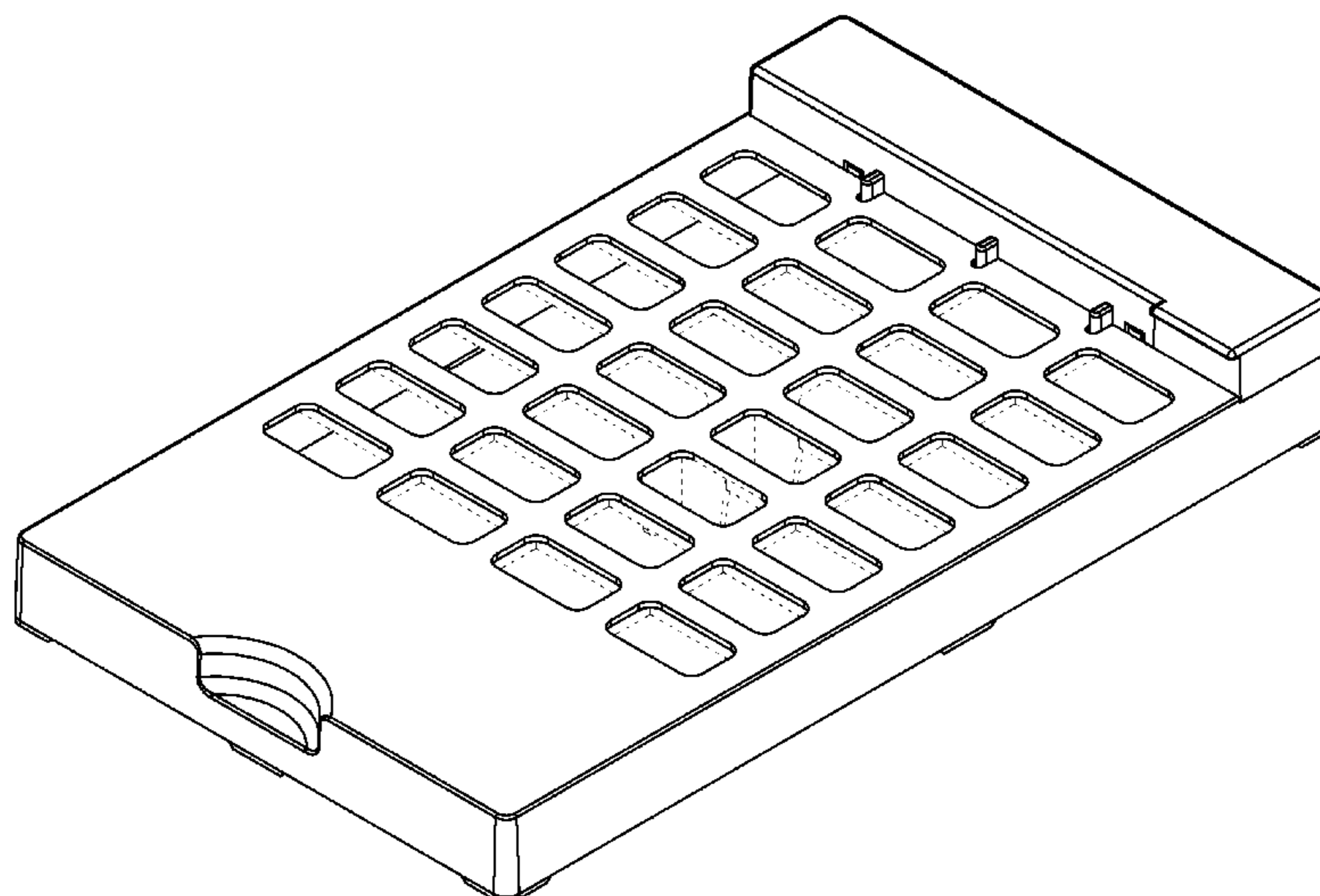
DESCRIPTION

FIG. 1 is a perspective view of a first embodiment of a pill fill tray, according to our design;
FIG. 2 is a top view thereof;
FIG. 3 is a bottom view thereof;
FIG. 4 is a right side view thereof;
FIG. 5 is a left side view thereof;
FIG. 6 is a front view thereof; and,
FIG. 7 is a rear view thereof.

The broken lines are included for the purpose of illustrating portions of the pill fill tray that form no part of the claimed design.

1 Claim, 5 Drawing Sheets

- (56) **References Cited**
U.S. PATENT DOCUMENTS
4,429,792 A 2/1984 Machbitz
4,593,819 A * 6/1986 Will 206/538
4,664,262 A 5/1987 White
D293,887 S 1/1988 Webster



(56)

References Cited

U.S. PATENT DOCUMENTS

D505,320 S * 5/2005 Gattefosse et al. D9/430
 D508,164 S * 8/2005 Coe et al. D3/203.3
 D513,863 S * 1/2006 Wahl et al. D3/203.2
 D514,309 S * 2/2006 Wahl et al. D3/203.2
 D518,737 S * 4/2006 Zalzal D9/732
 7,150,355 B2 * 12/2006 Coe et al. 206/536
 D543,120 S * 5/2007 Coe et al. D9/732
 D546,198 S 7/2007 Currie et al.
 D558,603 S 1/2008 Priebe et al.
 D562,153 S * 2/2008 Ruble et al. D9/732
 7,588,149 B2 * 9/2009 Gelardi 206/531
 D622,158 S 8/2010 Proulx
 D637,391 S 5/2011 Stevens et al.
 7,938,265 B2 * 5/2011 Bitner 206/536
 7,967,144 B2 * 6/2011 Sack et al. 206/538
 D645,244 S * 9/2011 Rietjens et al. D3/203.3
 8,047,372 B2 * 11/2011 Leifeld 206/534
 D650,295 S 12/2011 Schmitz et al.
 D658,990 S 5/2012 Specker et al.
 D658,991 S 5/2012 Schmitz et al.

D659,019 S 5/2012 Specker et al.
 D659,022 S 5/2012 Kemner
 8,220,636 B2 * 7/2012 Beecroft et al. 206/535
 2006/0086638 A1 4/2006 Priebe et al.
 2006/0086639 A1 4/2006 Priebe et al.

OTHER PUBLICATIONS

Pill Dispenser Identification Labels. Product publicly available prior to Feb. 25, 2005.
 Mocrp Inc. Redi Pak™ Pill Dispenser Identification Card. Product publicly available prior to Feb. 25, 2005.
 Apothecary Products, Inc. EZY Dose Memory Pack™ System Pill Dispenser Sealing Tray, Item #97550K3. Product publicly available prior to Feb. 25, 2005.
 Apothecary Products, Inc. EZY Dose Memory Pack™ System Pill Dispenser Sealing Tray Prototype (Red). Product publicly available prior to Feb. 25, 2005.
 Apothecary Products, Inc. EZY Dose Memory Pack™ System Pill Dispenser Sealing Tray Prototype (Black). Product publicly available prior to Feb. 25, 2005.

* cited by examiner

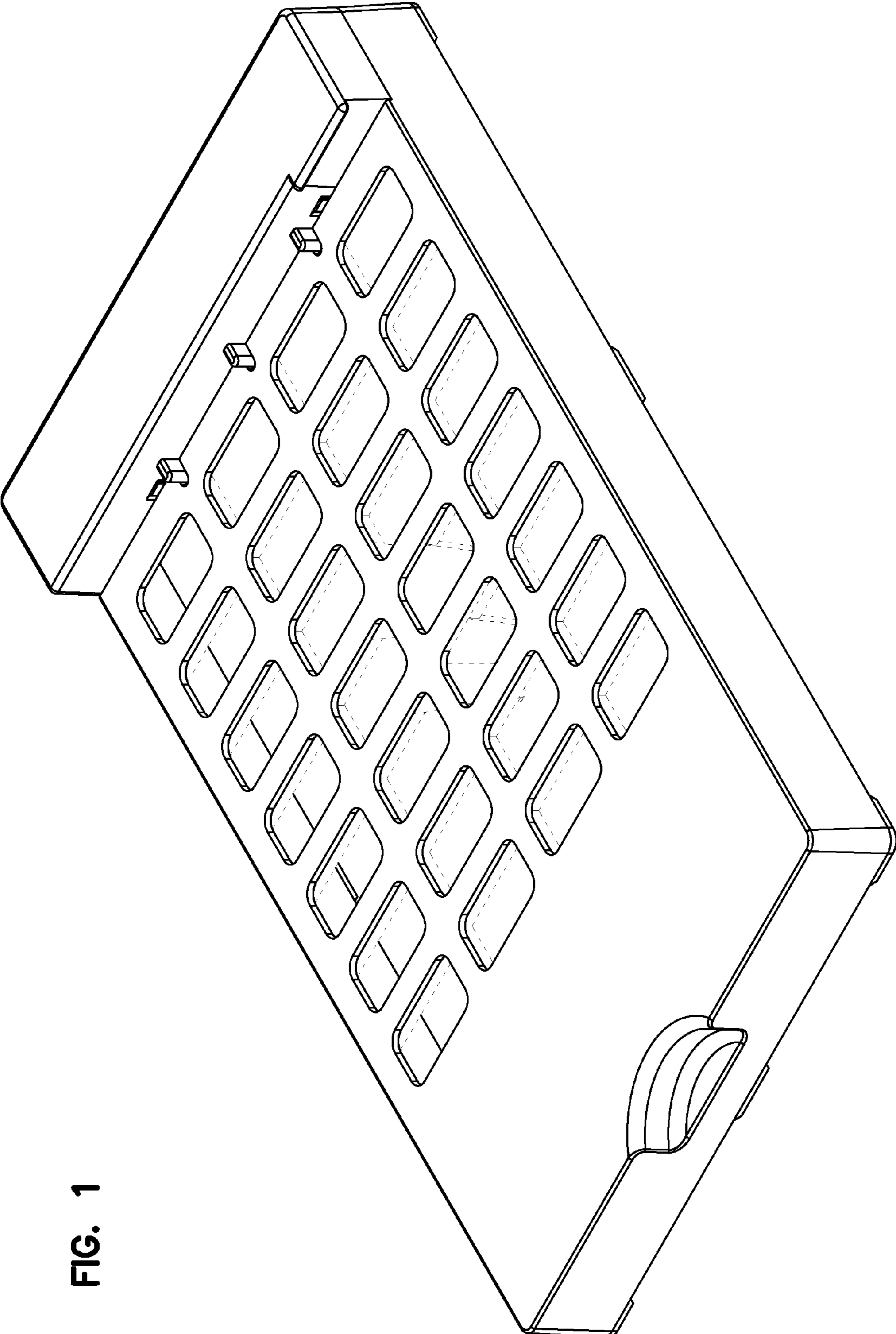


FIG. 1

FIG. 2

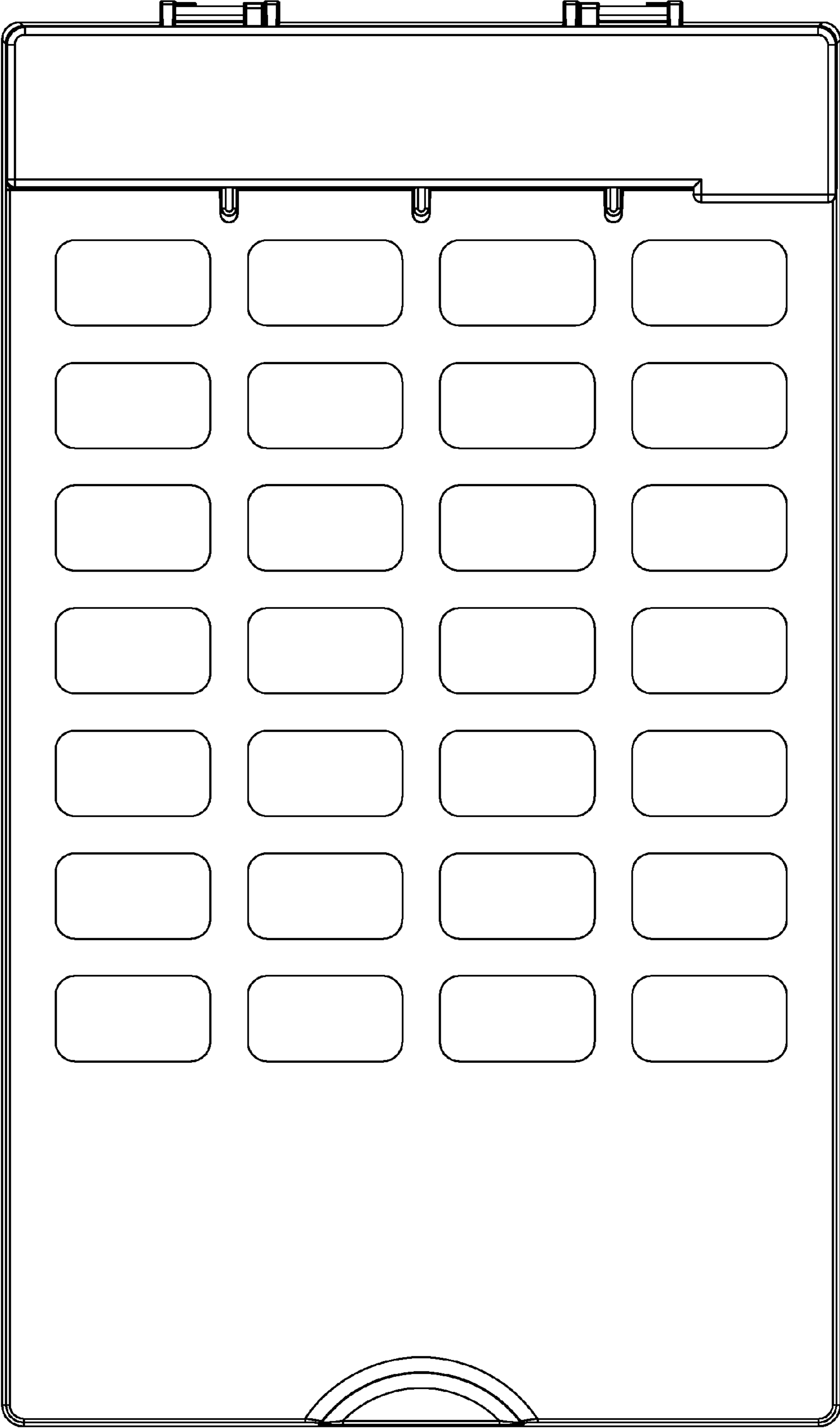


FIG. 3

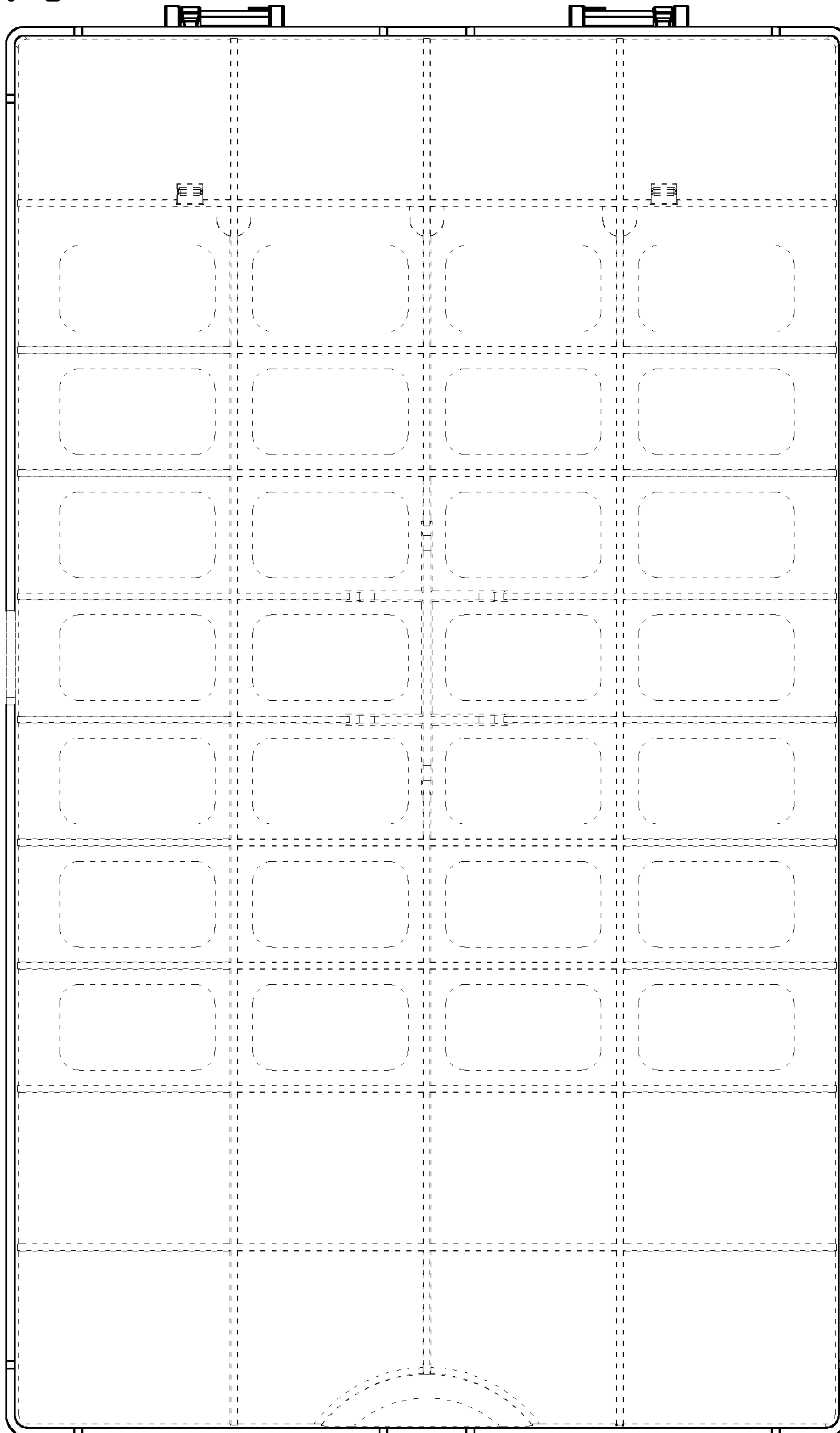


FIG. 4

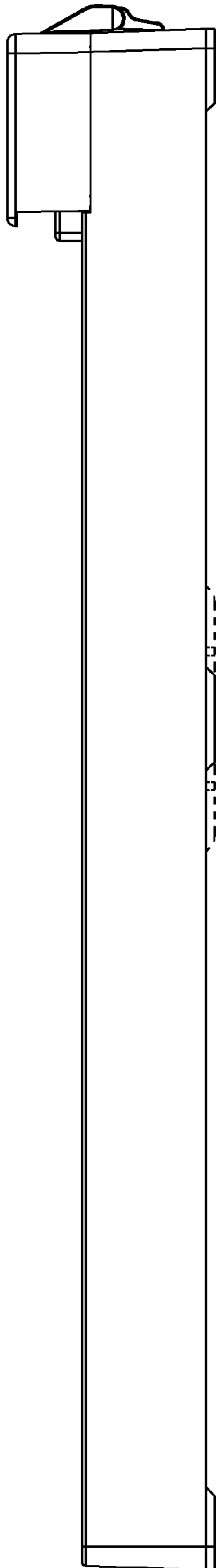


FIG. 5

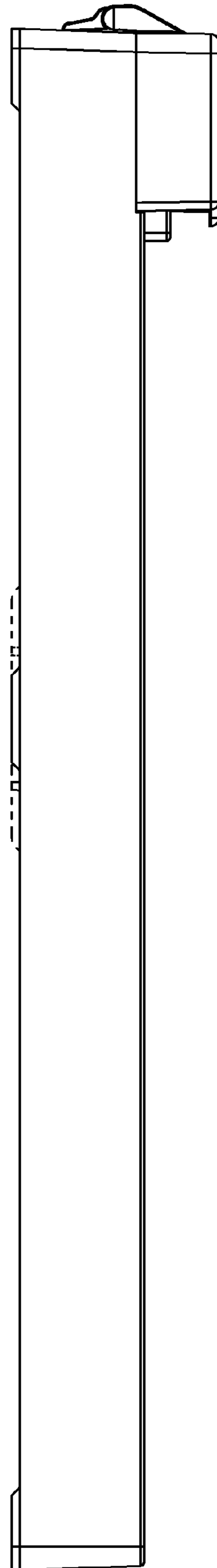


FIG. 6

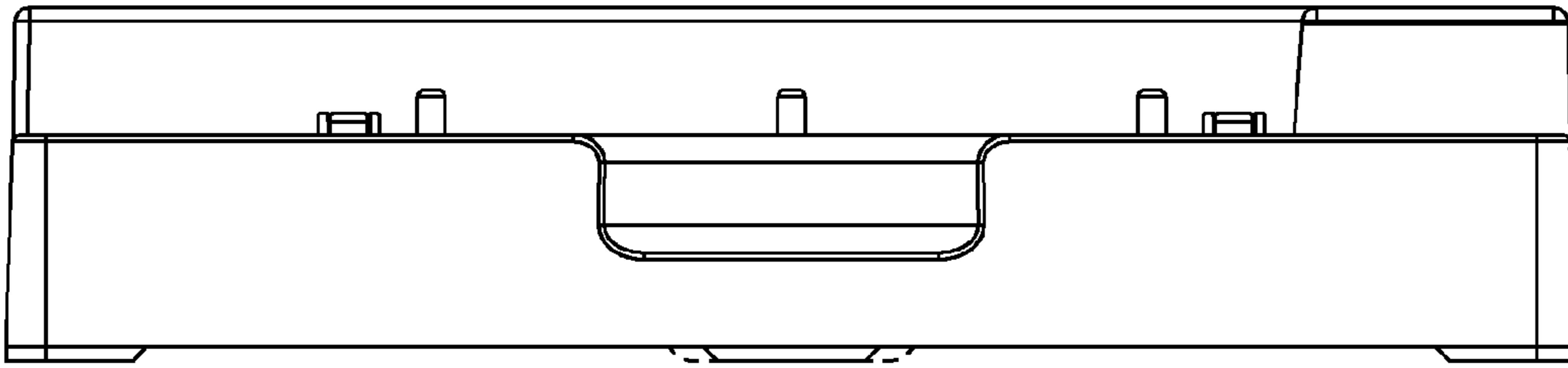


FIG. 7

