

US00D736403S

(12) **United States Design Patent**
Hudson et al.

(10) **Patent No.:** **US D736,403 S**
(45) **Date of Patent:** **** Aug. 11, 2015**

- (54) **MODULAR DRIED MATRIX SPOTTING DEVICE**
- (71) Applicant: **Agilent Technologies, Inc.**, Santa Clara, CA (US)
- (72) Inventors: **William C. Hudson**, Loveland, CO (US); **Paul Boguszewski**, Loveland, CO (US); **Robert Lee Grenz**, Loveland, CO (US)
- (73) Assignee: **Agilent Technologies, Inc.**, Santa Clara, CA (US)
- (**) Term: **14 Years**
- (21) Appl. No.: **29/452,173**
- (22) Filed: **Apr. 12, 2013**

Related U.S. Application Data

- (63) Continuation-in-part of application No. 29/414,532, filed on Feb. 29, 2012, now Pat. No. Des. 684,276.
- (51) **LOC (10) Cl.** **24-01**
- (52) **U.S. Cl.**
USPC **D24/226; D24/216**
- (58) **Field of Classification Search**
USPC D24/216-217, 219, 223-226, 227, D24/229-231, 232, 107, 121-123; D10/81; 422/547-554, 556, 558, 559, 500
See application file for complete search history.

References Cited

U.S. PATENT DOCUMENTS

2,971,638 A	2/1961	Allison et al.
3,802,220 A	4/1974	Pompo
D239,548 S	4/1976	Schiff et al.
D290,042 S	5/1987	Ford

D340,289 S	10/1993	Gerber	
5,547,555 A	8/1996	Schwartz et al.	
D420,745 S	2/2000	Cardy	
D464,734 S	10/2002	Berna et al.	
D491,276 S	6/2004	Langille	
D596,758 S	7/2009	Constable	
D637,733 S *	5/2011	Wei	D24/226
7,985,387 B2	7/2011	Haywood et al.	
D684,276 S *	6/2013	Hudson et al.	D24/226
2001/0039057 A1	11/2001	Douglas et al.	
2012/0045792 A1	2/2012	Cohen et al.	
2012/0132560 A1*	5/2012	Hulka et al.	206/524.6

* cited by examiner

Primary Examiner — Anhdao Doan

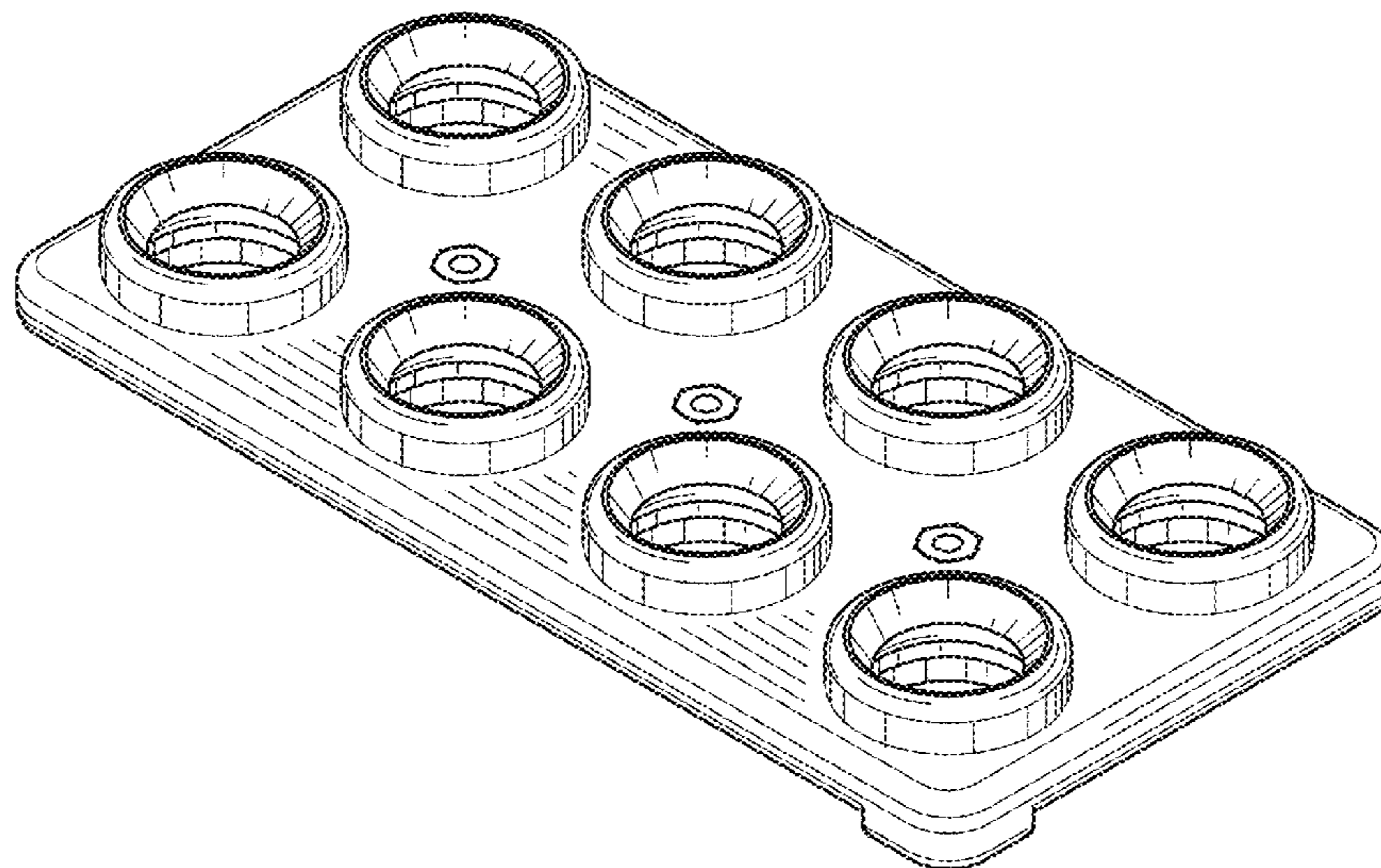
(57) **CLAIM**

We claim the ornamental design for a modular dried matrix spotting device, as shown and described.

DESCRIPTION

FIG. 1 is a top view of a modular dried matrix spotting device showing our new design.
 FIG. 2 is a bottom view thereof.
 FIG. 3 is a front view thereof.
 FIG. 4 is a rear view thereof.
 FIG. 5 is a right side view thereof.
 FIG. 6 is a left side view thereof.
 FIG. 7 is a top perspective view thereof.
 FIG. 8 is a bottom perspective view thereof.
 FIG. 9 is a top perspective view of the upper plate thereof shown separately for clarity of the illustration.
 FIG. 10 is a bottom perspective view of the upper plate thereof shown separately for clarity of the illustration.
 FIG. 11 is a top perspective view of the lower plate thereof shown separately for clarity of the illustration; and,
 FIG. 12 is a bottom perspective view of the lower plate thereof shown separately for clarity of the illustration.

1 Claim, 5 Drawing Sheets



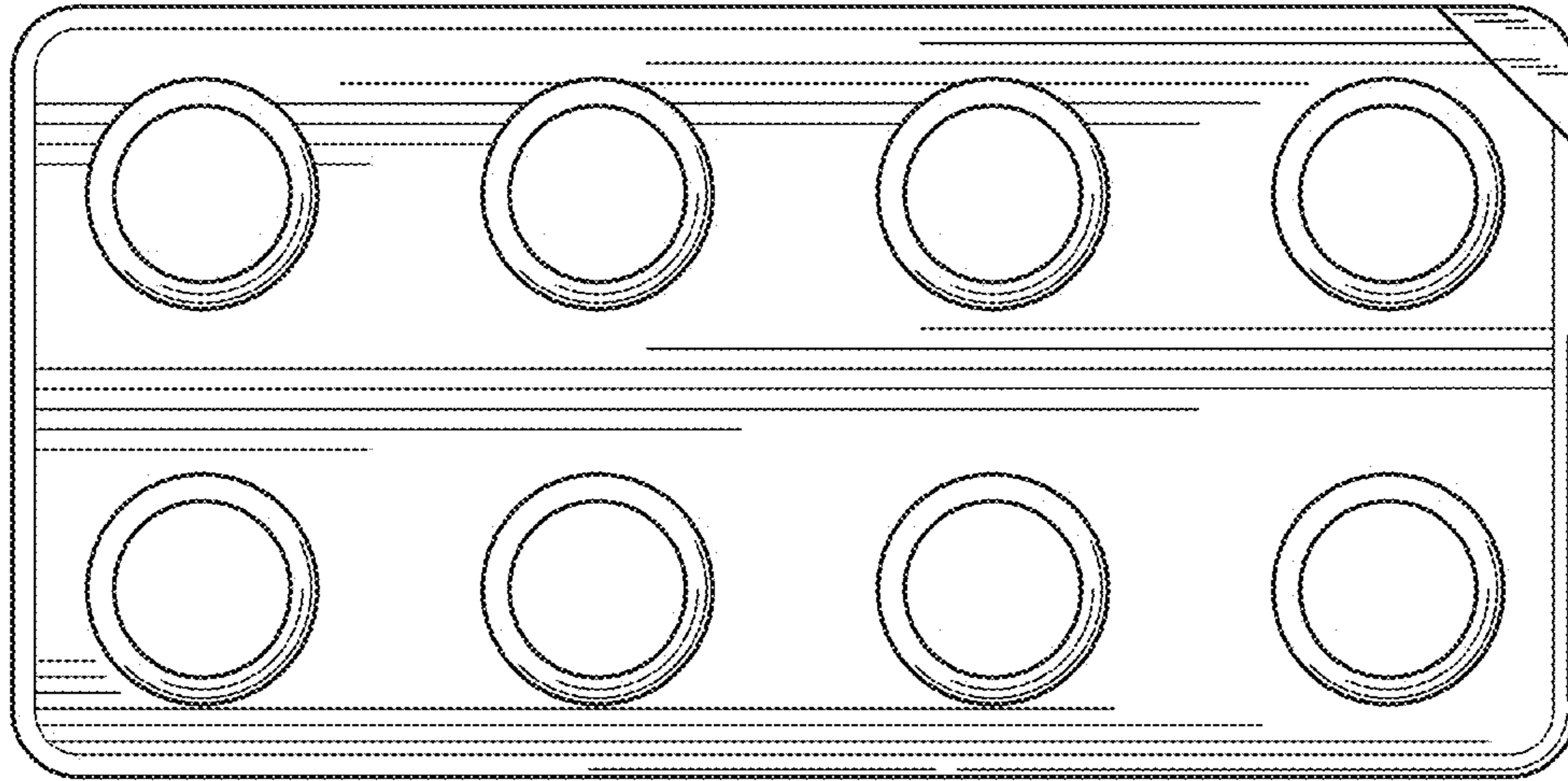


Fig. 1

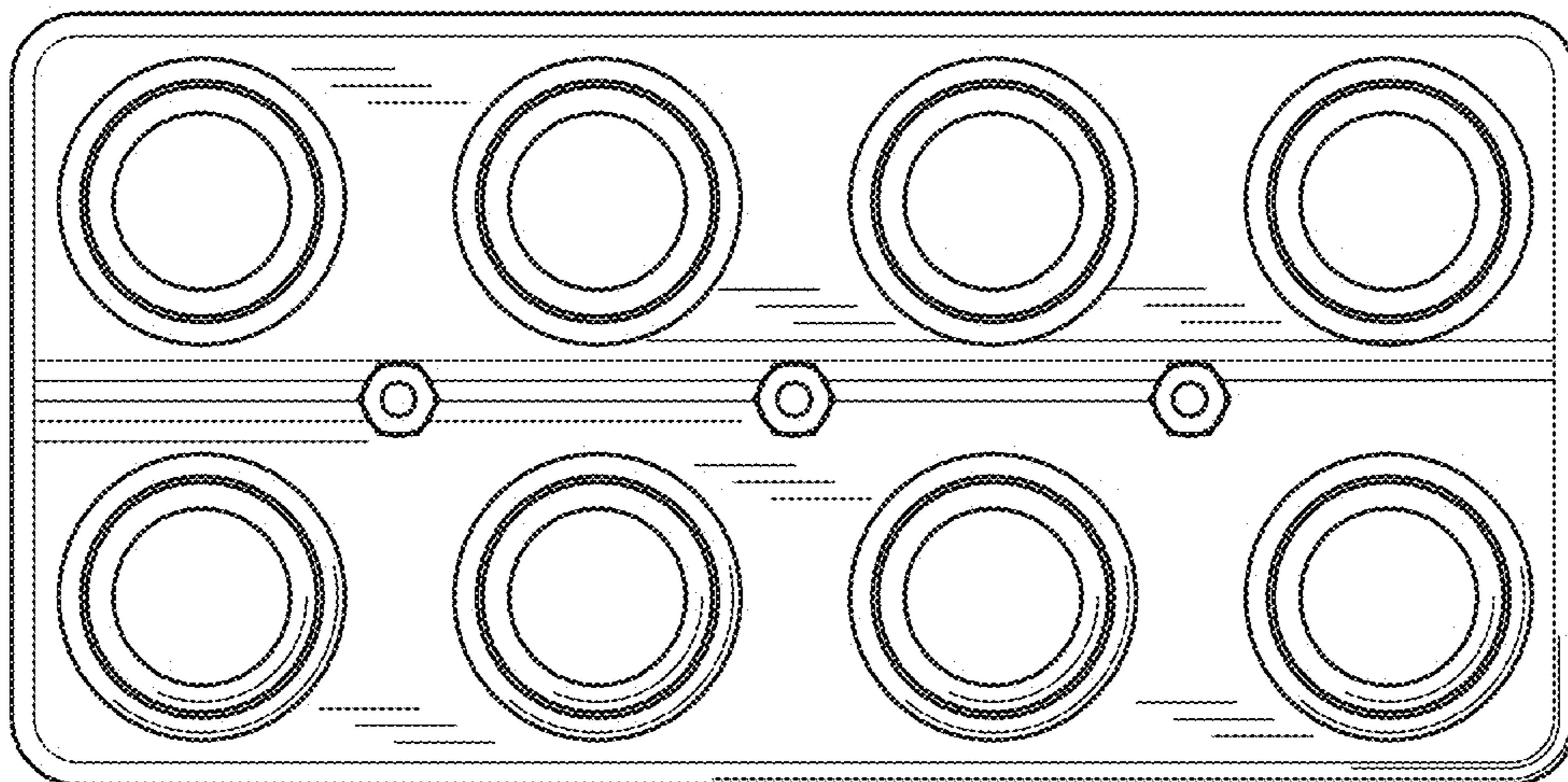


Fig. 2

Fig. 3

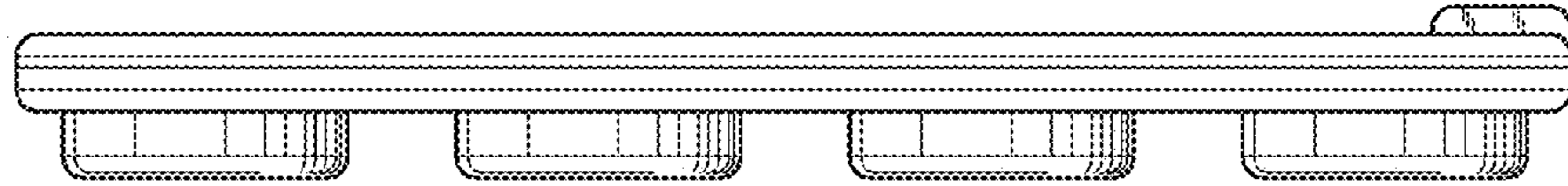


Fig. 4

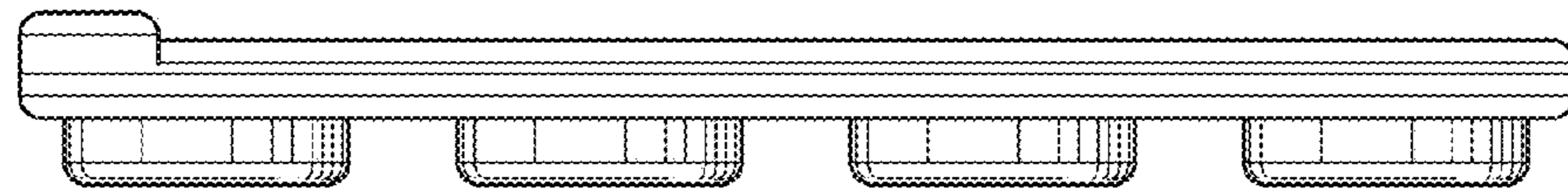


Fig. 5

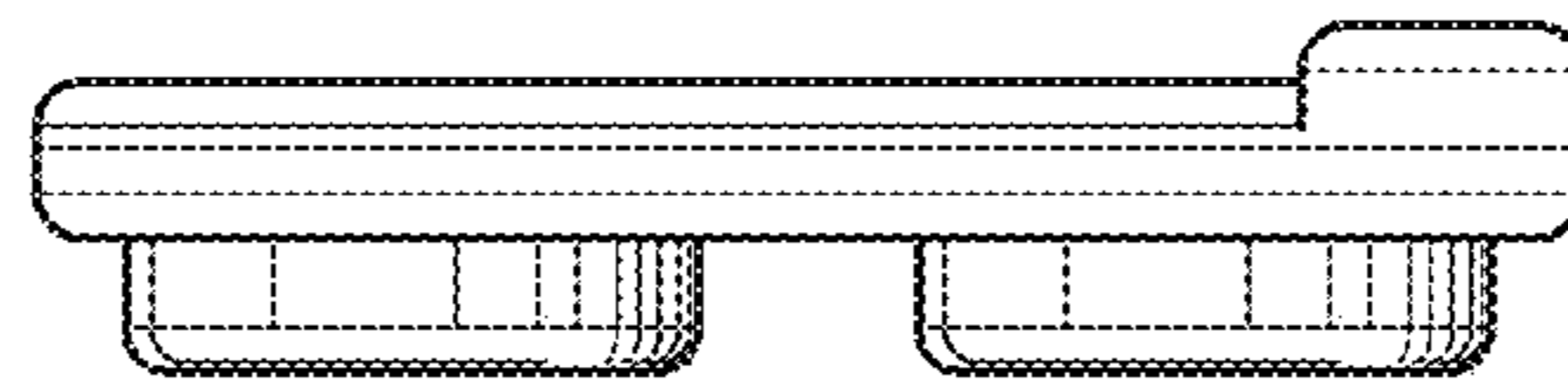
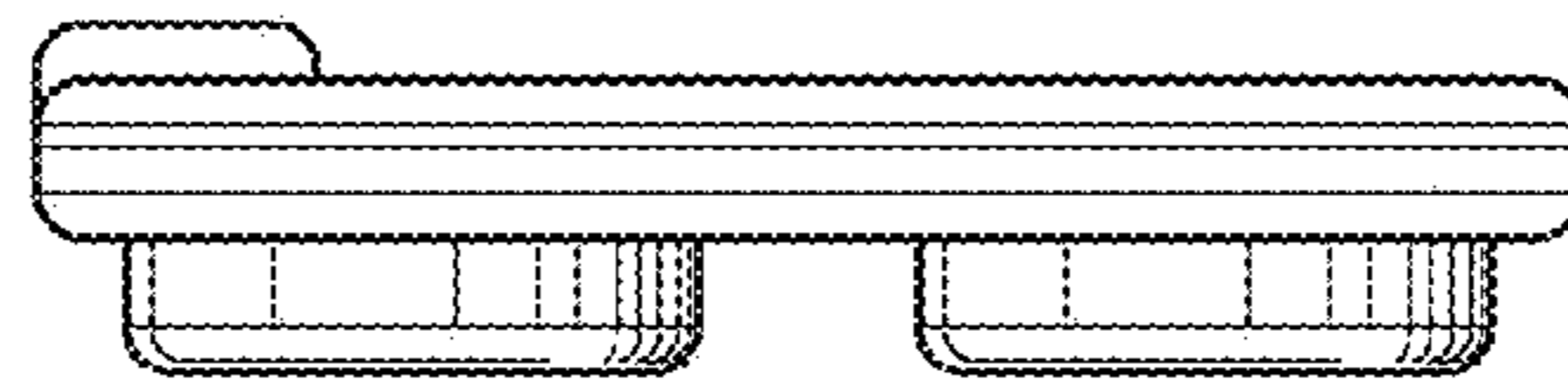


Fig. 6



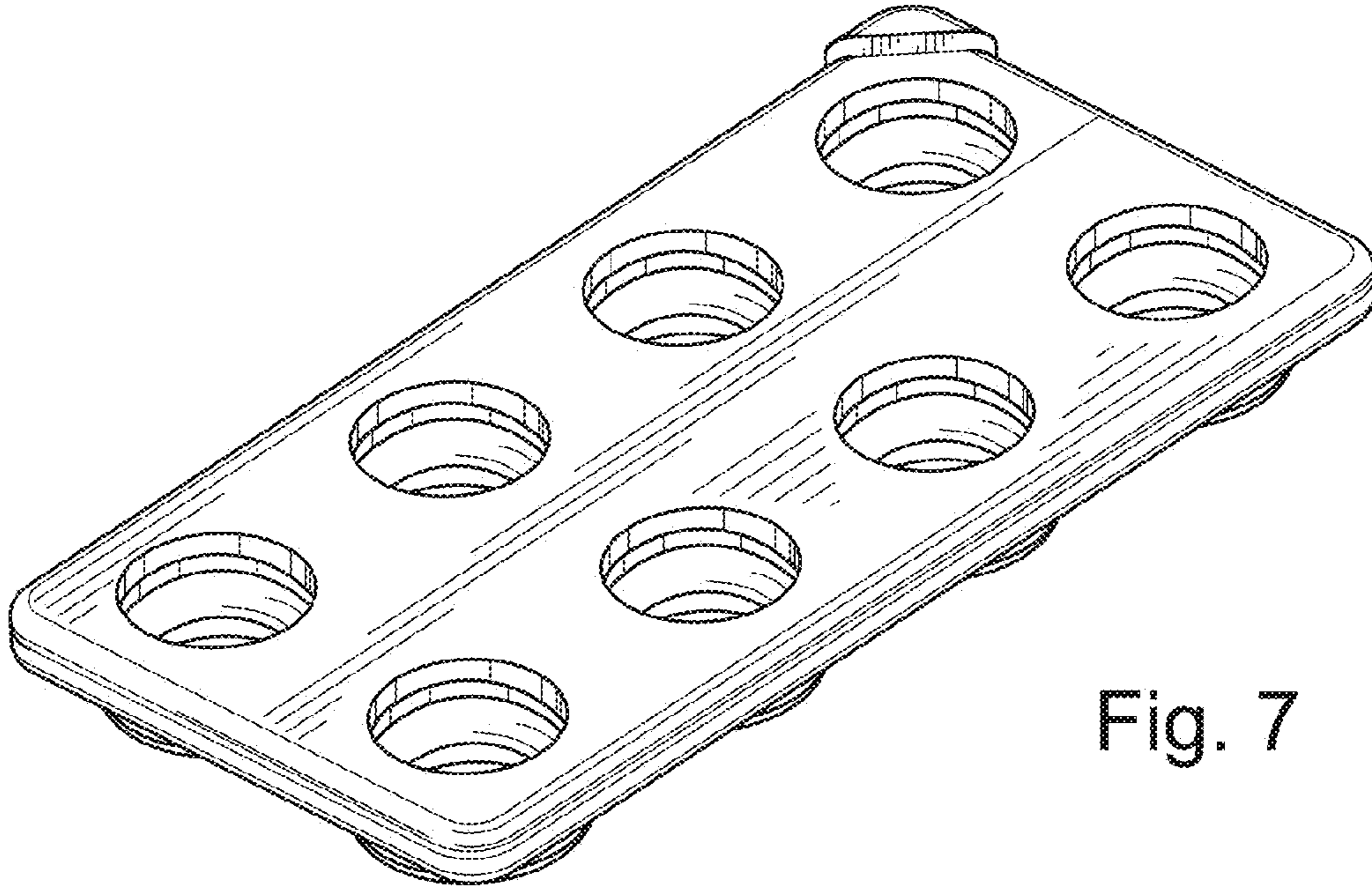


Fig. 7

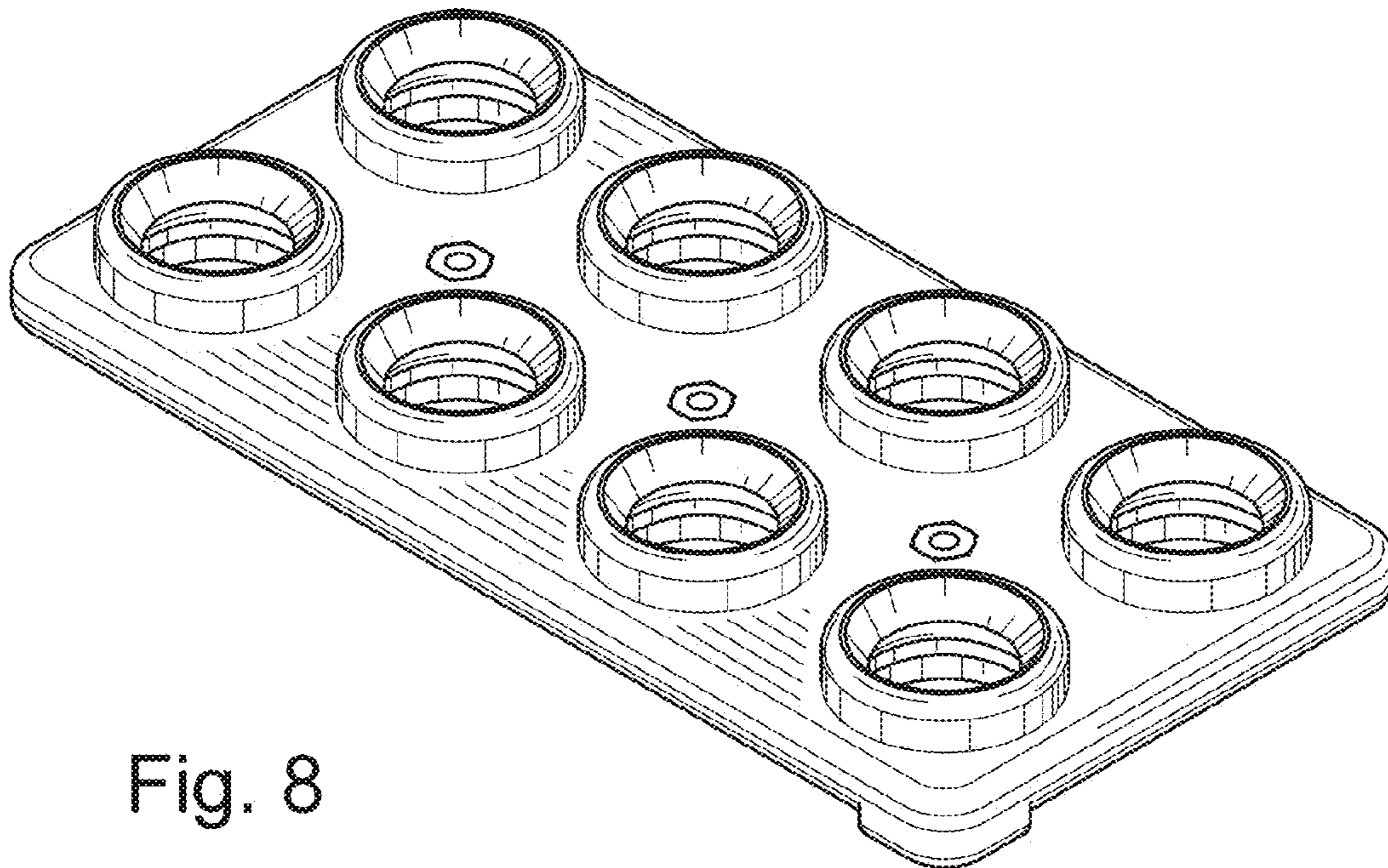


Fig. 8

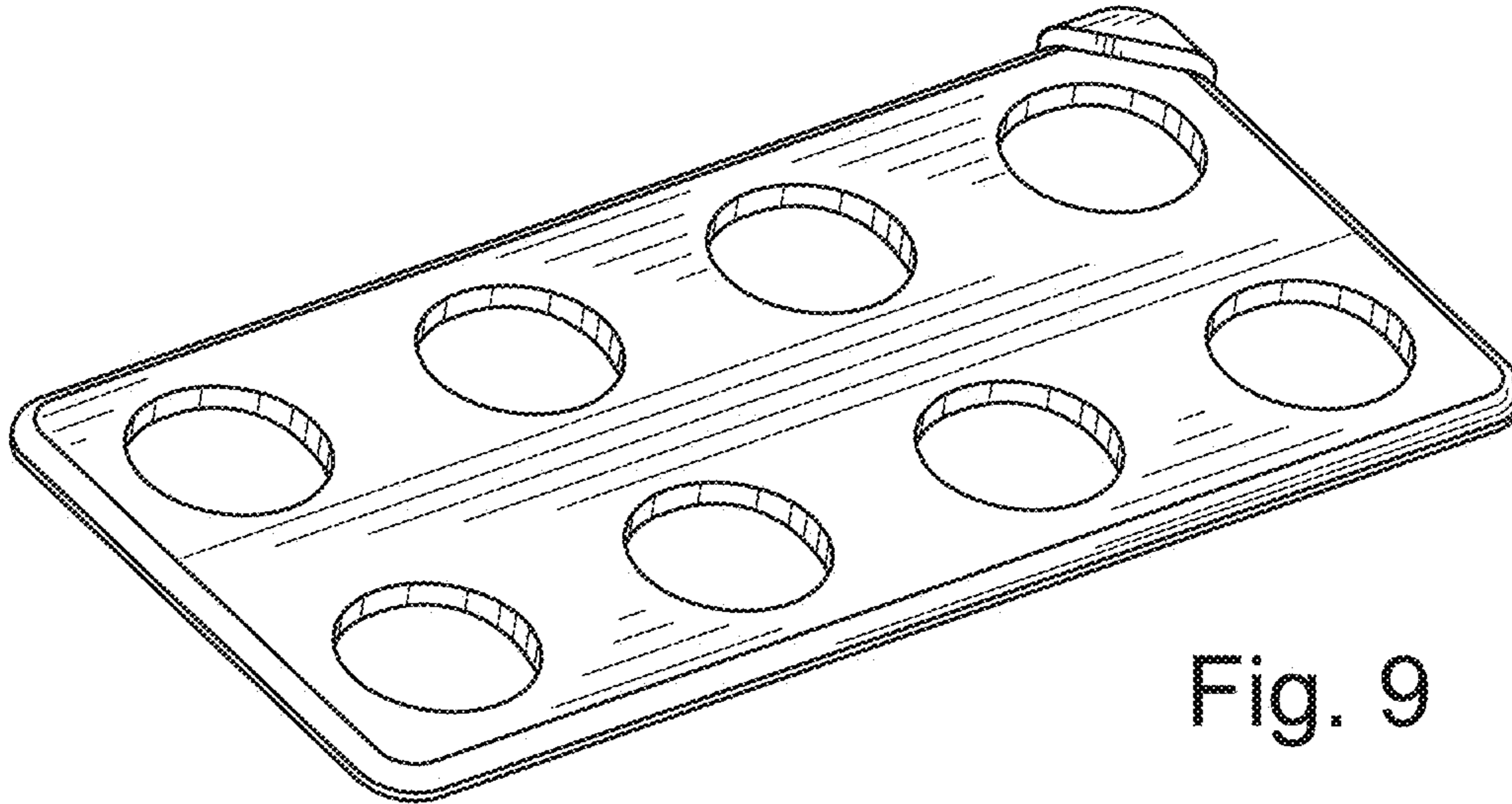


Fig. 9

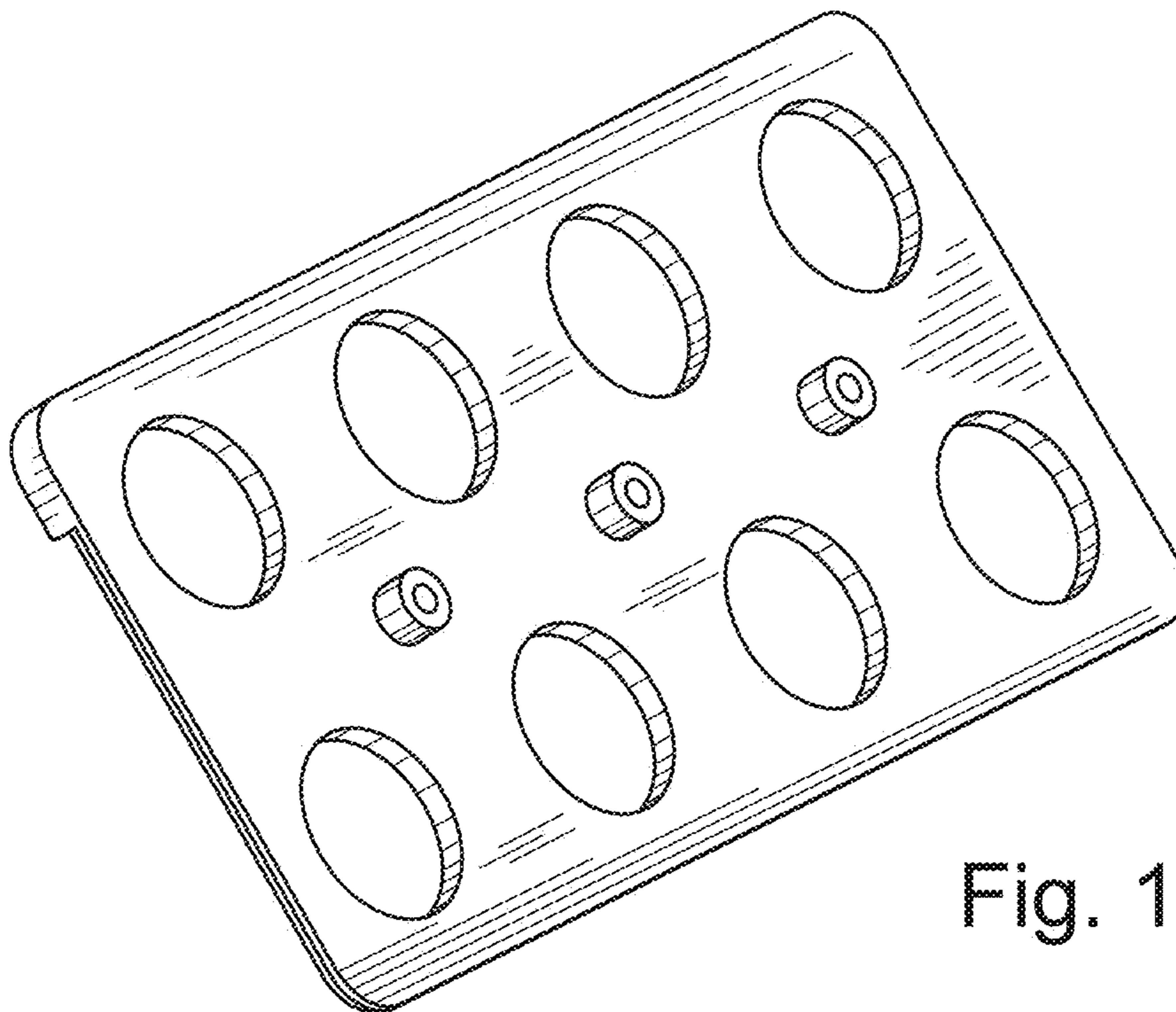


Fig. 10

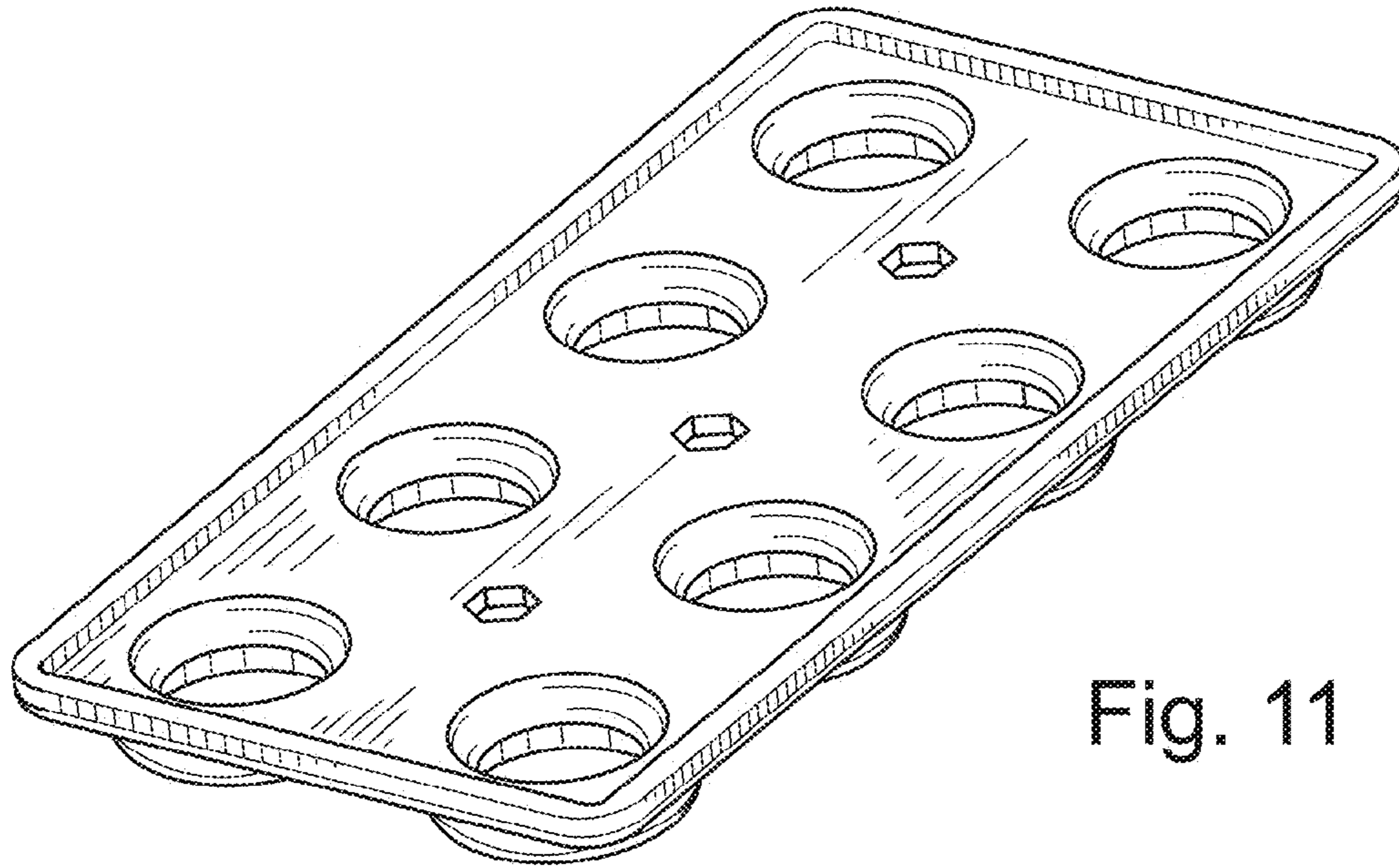


Fig. 11

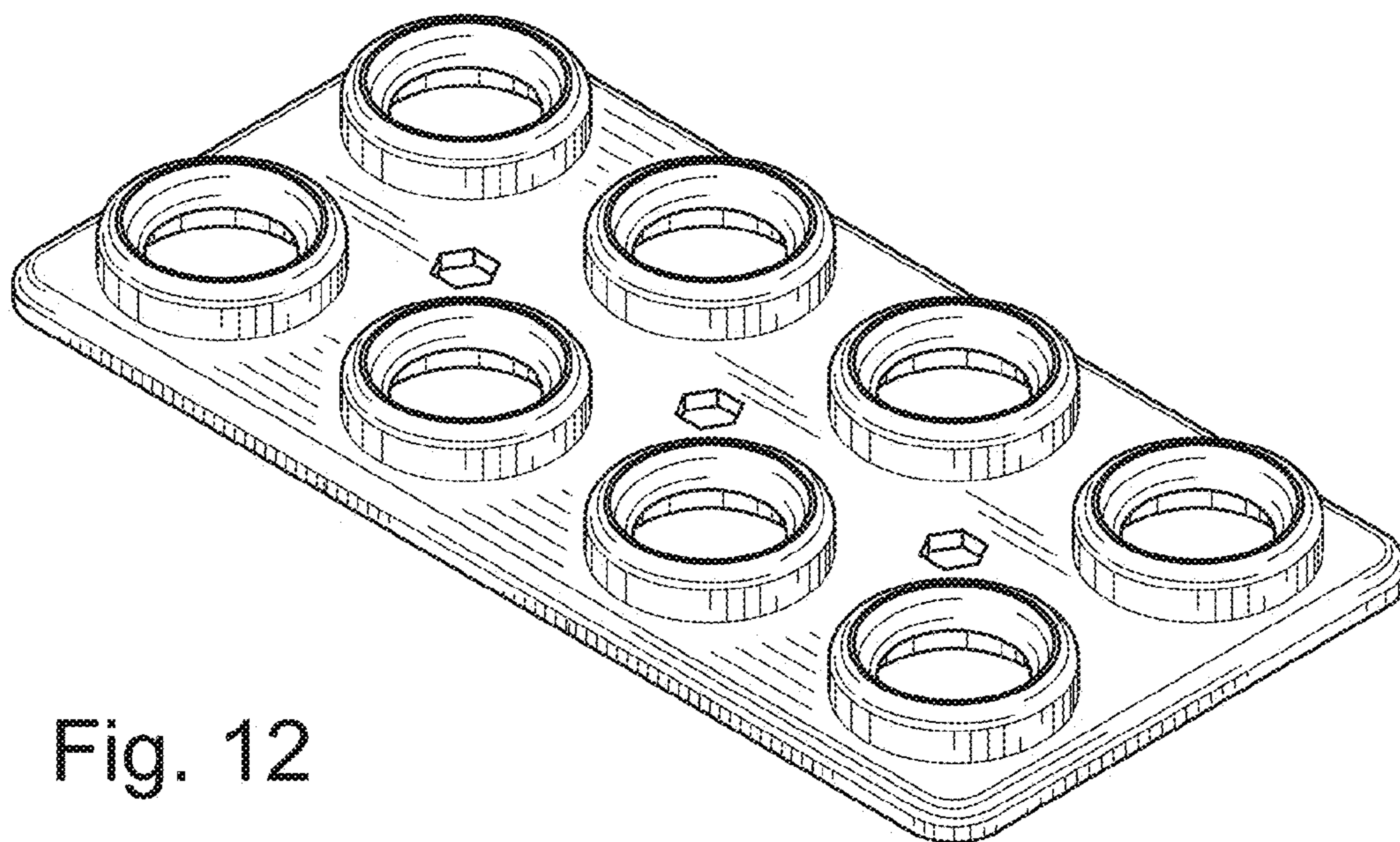


Fig. 12