



US00D736402S

(12) **United States Design Patent**
Gutmann et al.

(10) **Patent No.:** **US D736,402 S**
(45) **Date of Patent:** **** Aug. 11, 2015**

(54) **MEDICAL IN-VITRO DIAGNOSTIC ANALYZER**

(71) Applicant: **Roche Diagnostics Operations, Inc.**,
Indianapolis, IN (US)

(72) Inventors: **Peter Gutmann**, Thalwil (CH); **Jan Muegel**, Berlin (DE); **Therese Naef**,
Nussbaumen (CH); **Britta Pukall**,
Waedenswil (CH); **Johann Florian Wassermann**, Horgen (CH)

(73) Assignee: **Roche Diagnostics Operations, Inc.**,
Indianapolis, IN (US)

(**) Term: **14 Years**

(21) Appl. No.: **29/515,048**

(22) Filed: **Jan. 20, 2015**

Related U.S. Application Data

(63) Continuation of application No. 29/487,619, filed on
Apr. 10, 2014, now Pat. No. Des. 724,753.

(30) **Foreign Application Priority Data**

Oct. 10, 2013 (WO) DM/081 998

(51) **LOC (10) Cl.** **24-01**

(52) **U.S. Cl.**
USPC **D24/216**

(58) **Field of Classification Search**

USPC D24/216, 223, 231, 232, 233, 186, 107;
D10/81, 97; 435/286.1, 286.4, 286.5,
435/287.3; 422/63-67, 509; 73/863.01,
73/863.02, 863.03, 863.31, 863.32

See application file for complete search history.

(56) **References Cited**

U.S. PATENT DOCUMENTS

D320,073 S	9/1991	Sakagami et al.	
D346,027 S	4/1994	Kobayashi	
D430,304 S	8/2000	Oonuma et al.	
D474,416 S	5/2003	Oonuma et al.	
D663,040 S	7/2012	Oonuma et al.	
D669,189 S *	10/2012	Liu et al.	D24/216
D676,568 S *	2/2013	Liu et al.	D24/216
D681,226 S	4/2013	Oonuma et al.	
D689,621 S	9/2013	Morrow et al.	

* cited by examiner

Primary Examiner — Anhdao Doan

(74) *Attorney, Agent, or Firm* — Dinsmore & Shohl LLP

(57) **CLAIM**

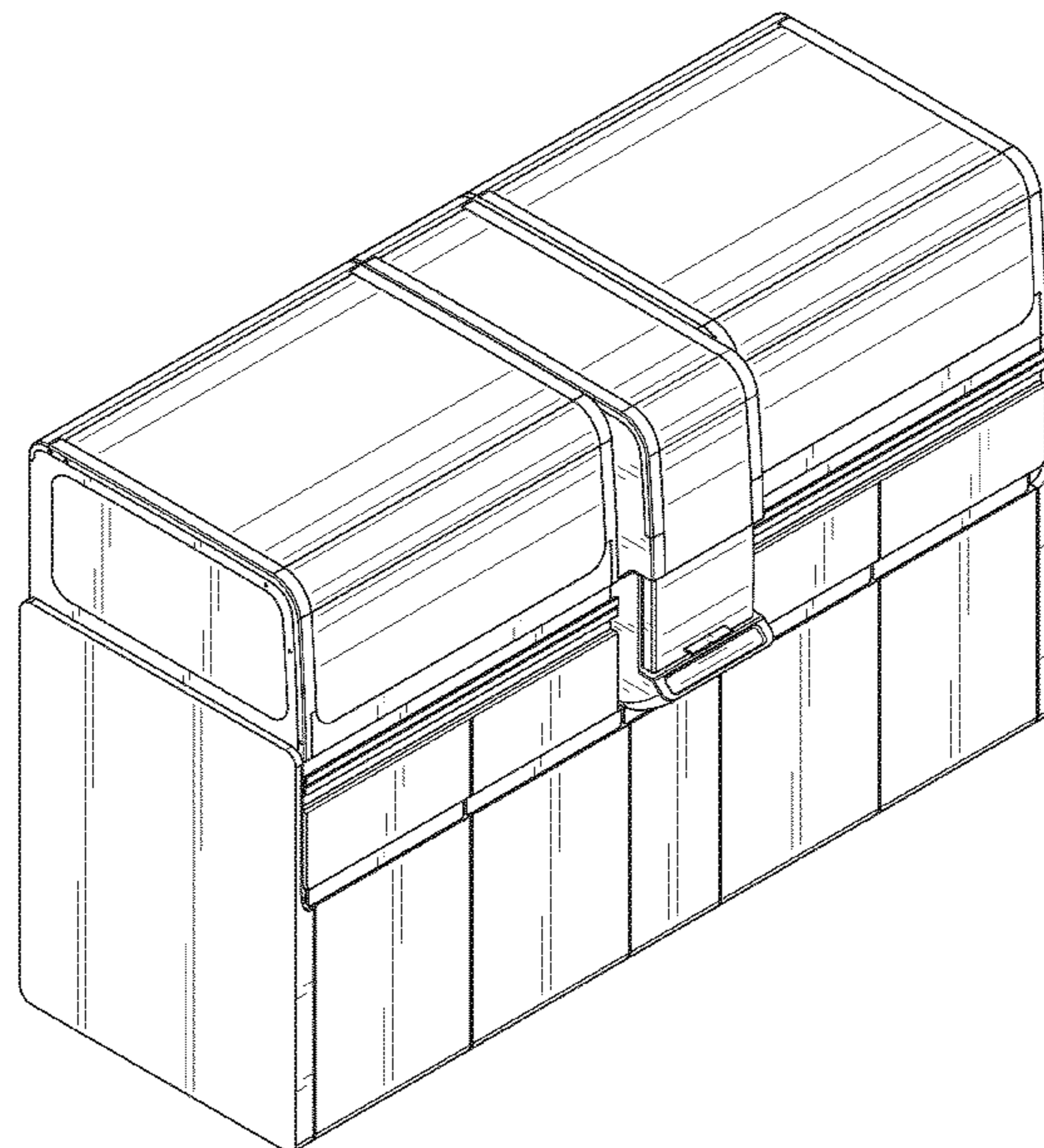
The ornamental design for a medical in-vitro diagnostic analyzer, as shown and described.

DESCRIPTION

FIG. 1 is a front elevational view of a medical in-vitro diagnostic analyzer illustrating an embodiment of our new design; FIG. 2 is a rear elevational view of FIG. 1 thereof; FIG. 3 is a left side elevational view of FIG. 1 thereof; FIG. 4 is a right side elevational view of FIG. 1 thereof; FIG. 5 is a top plan view of FIG. 1 thereof; FIG. 6 is a bottom plan view of FIG. 1 thereof; FIG. 7 is a perspective view depicting the top left side view of FIG. 1 thereof; and, FIG. 8 is a perspective view depicting the top rear right side view of FIG. 1 thereof.

The broken lines are included for the purpose of illustrating environmental structure and form no part of the claimed design.

1 Claim, 8 Drawing Sheets



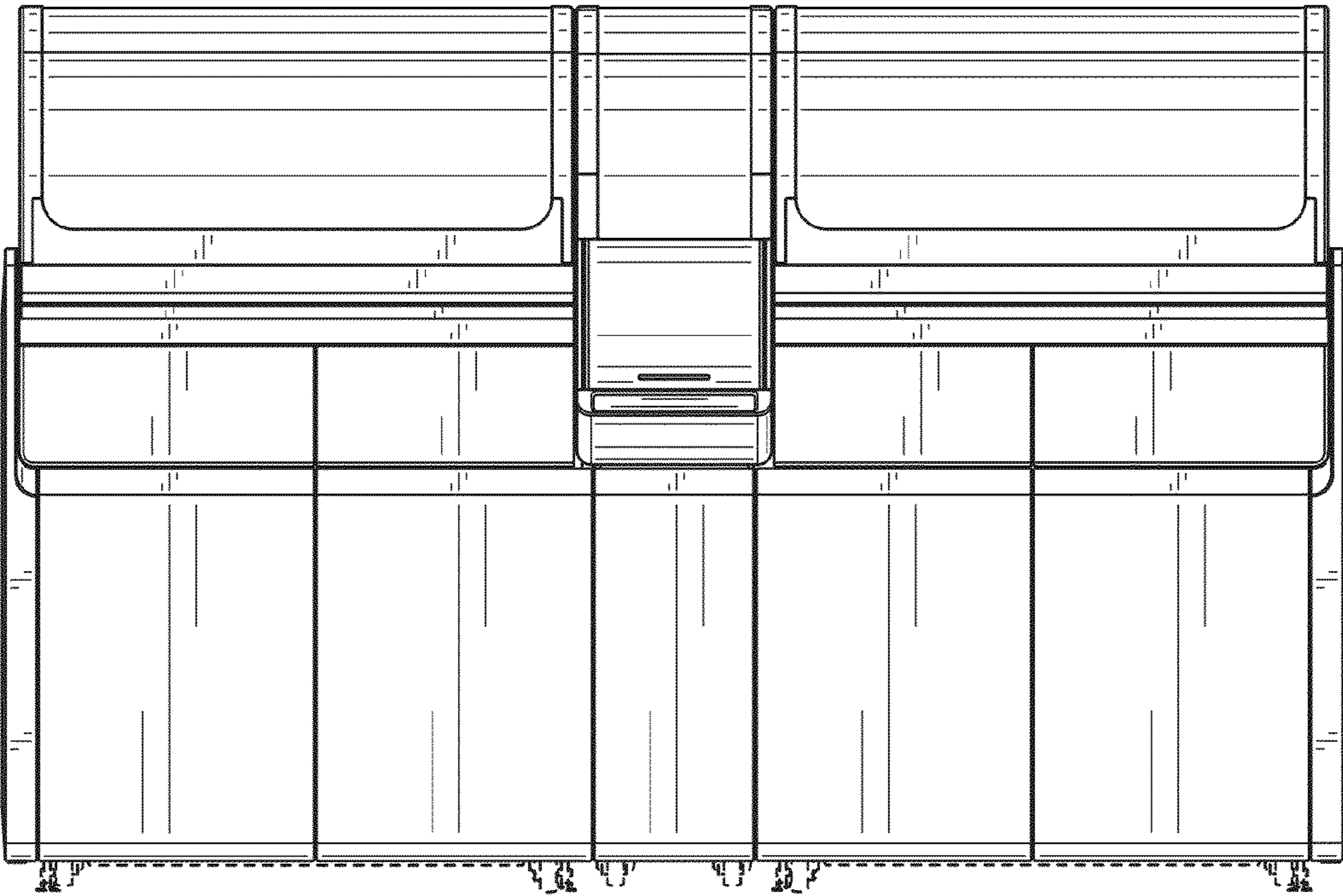


FIG. 1

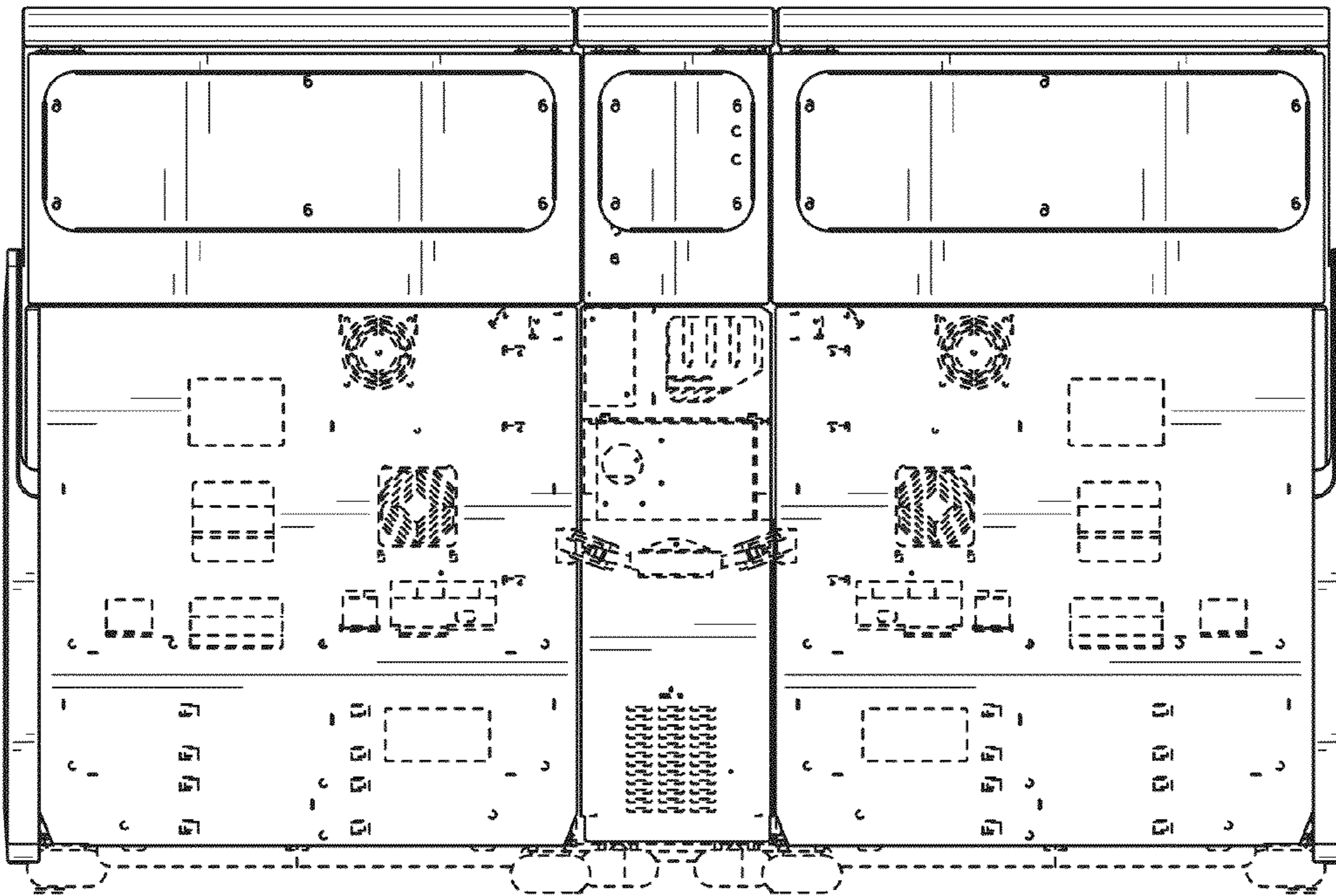


FIG. 2

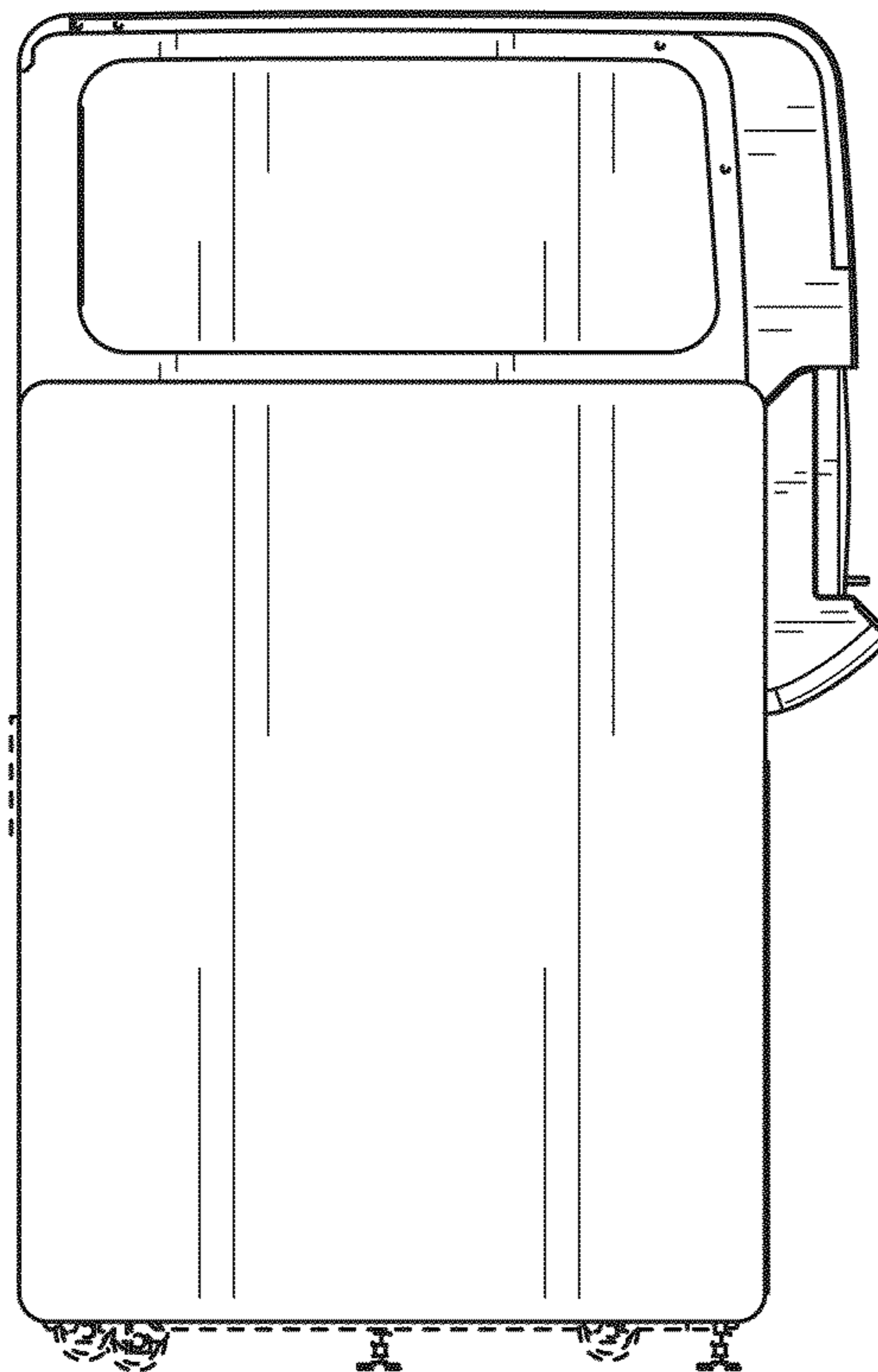


FIG. 3

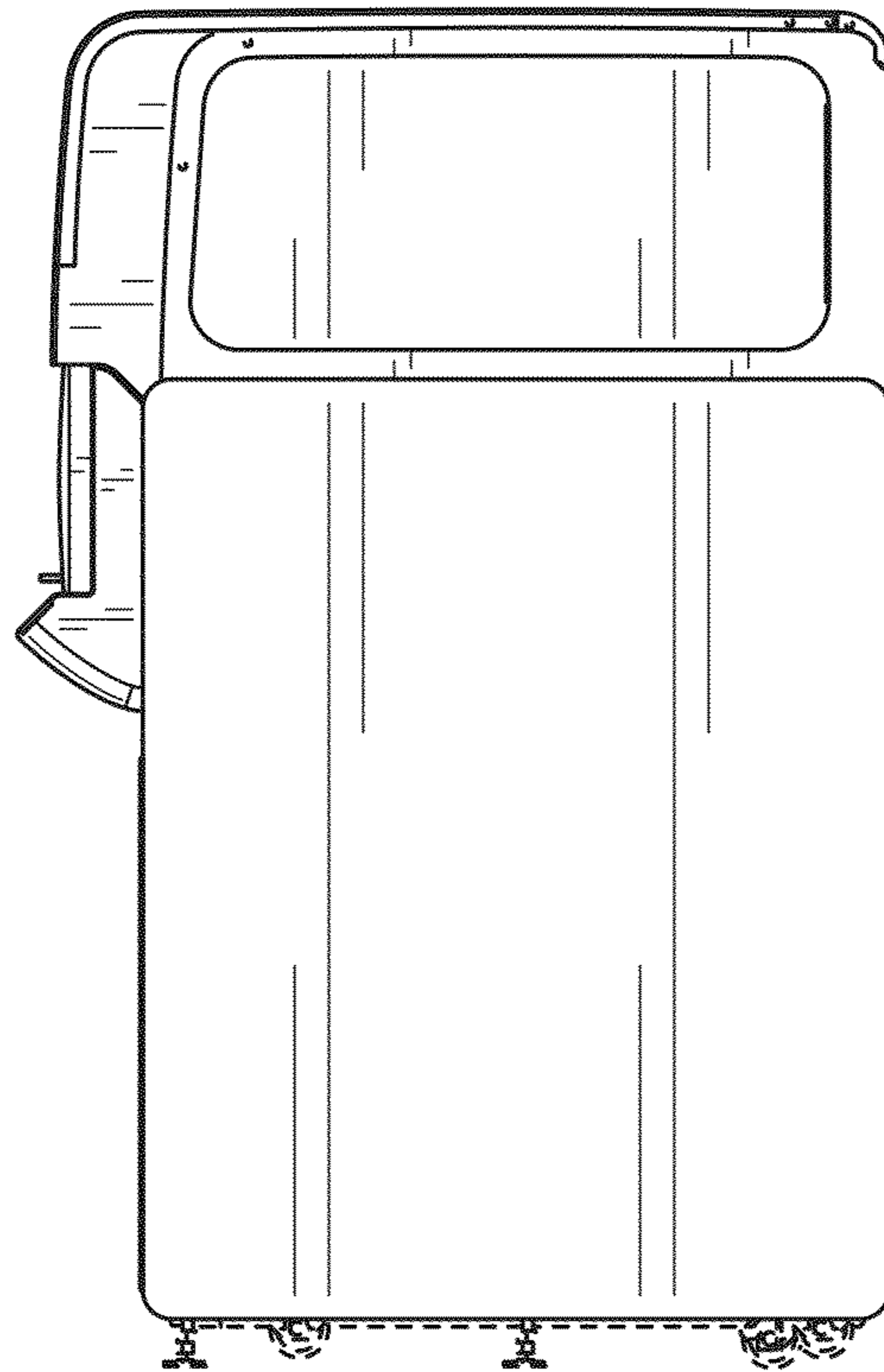


FIG. 4

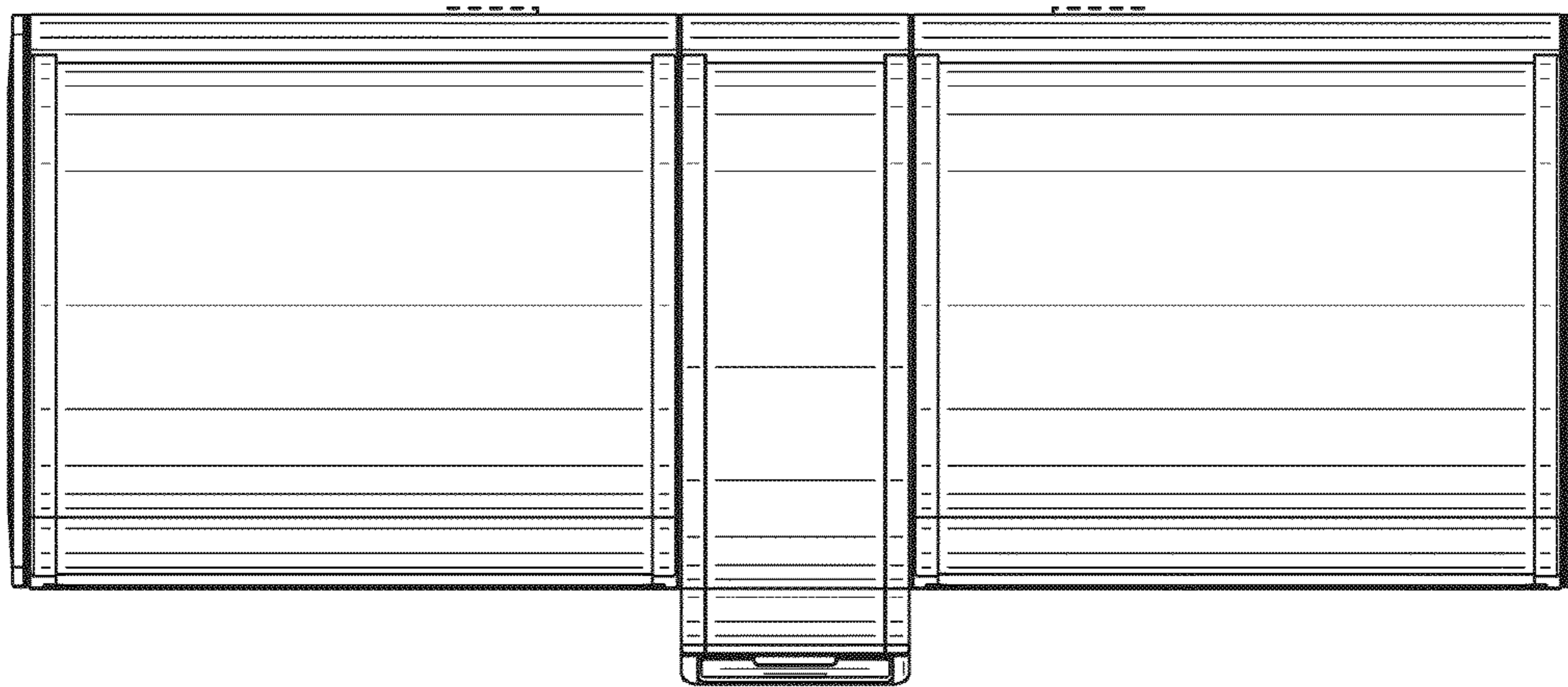


FIG. 5

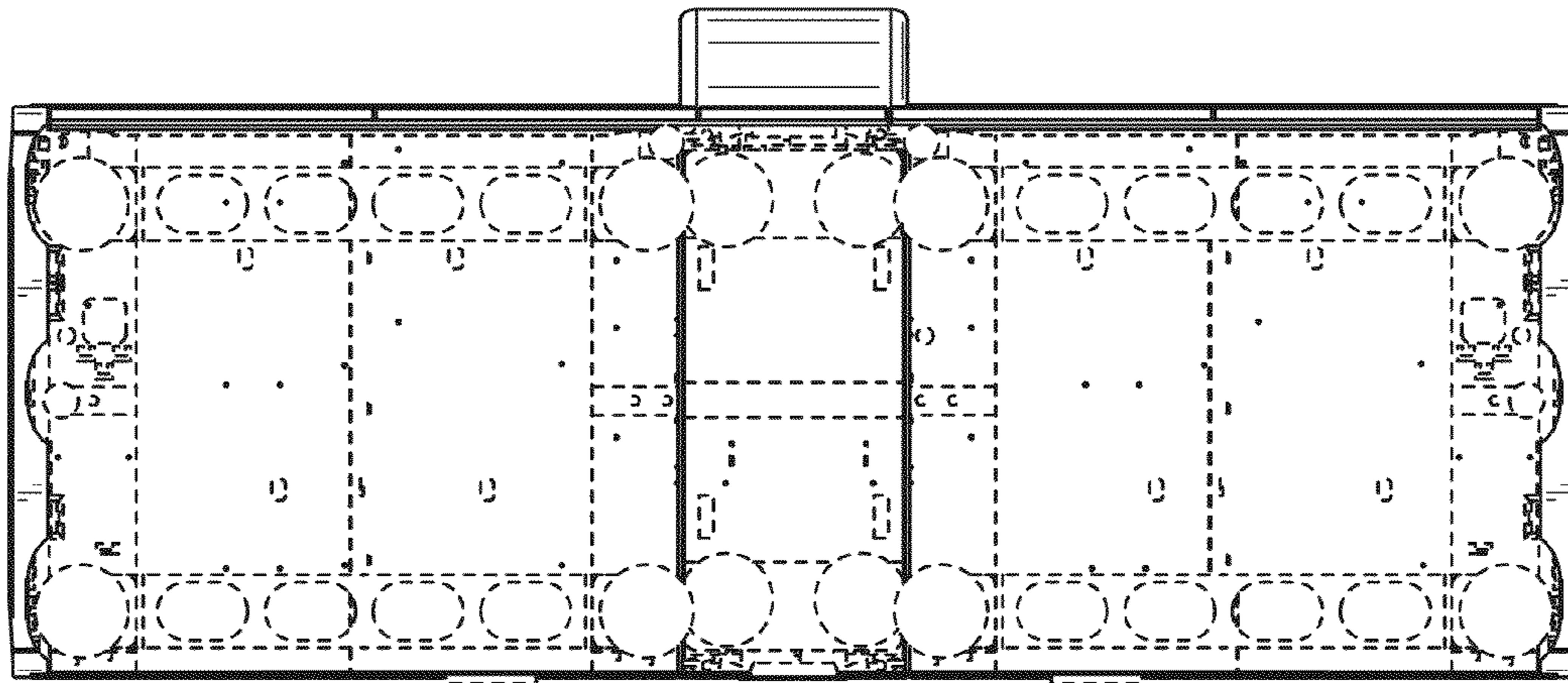


FIG. 6

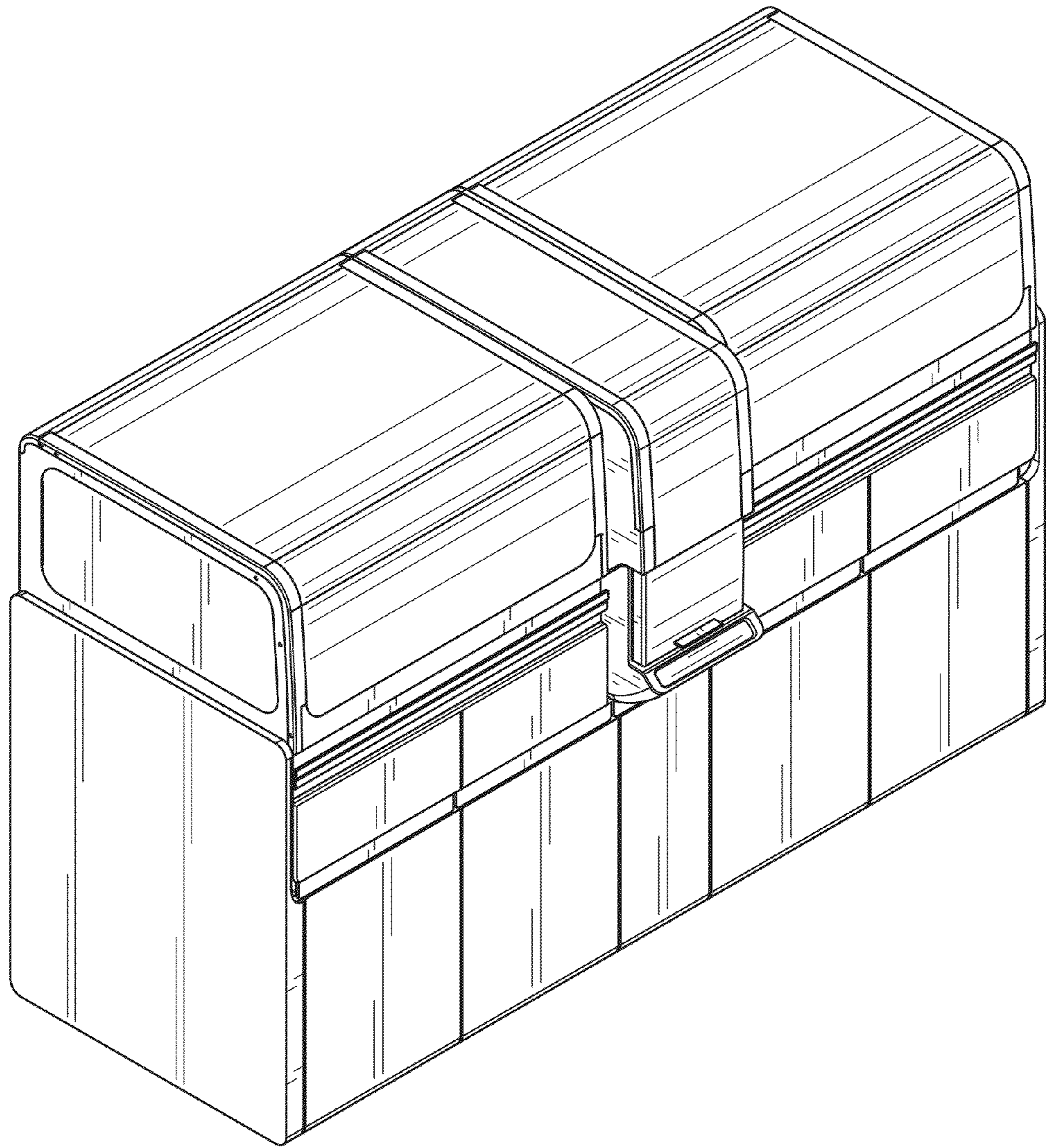


FIG. 7

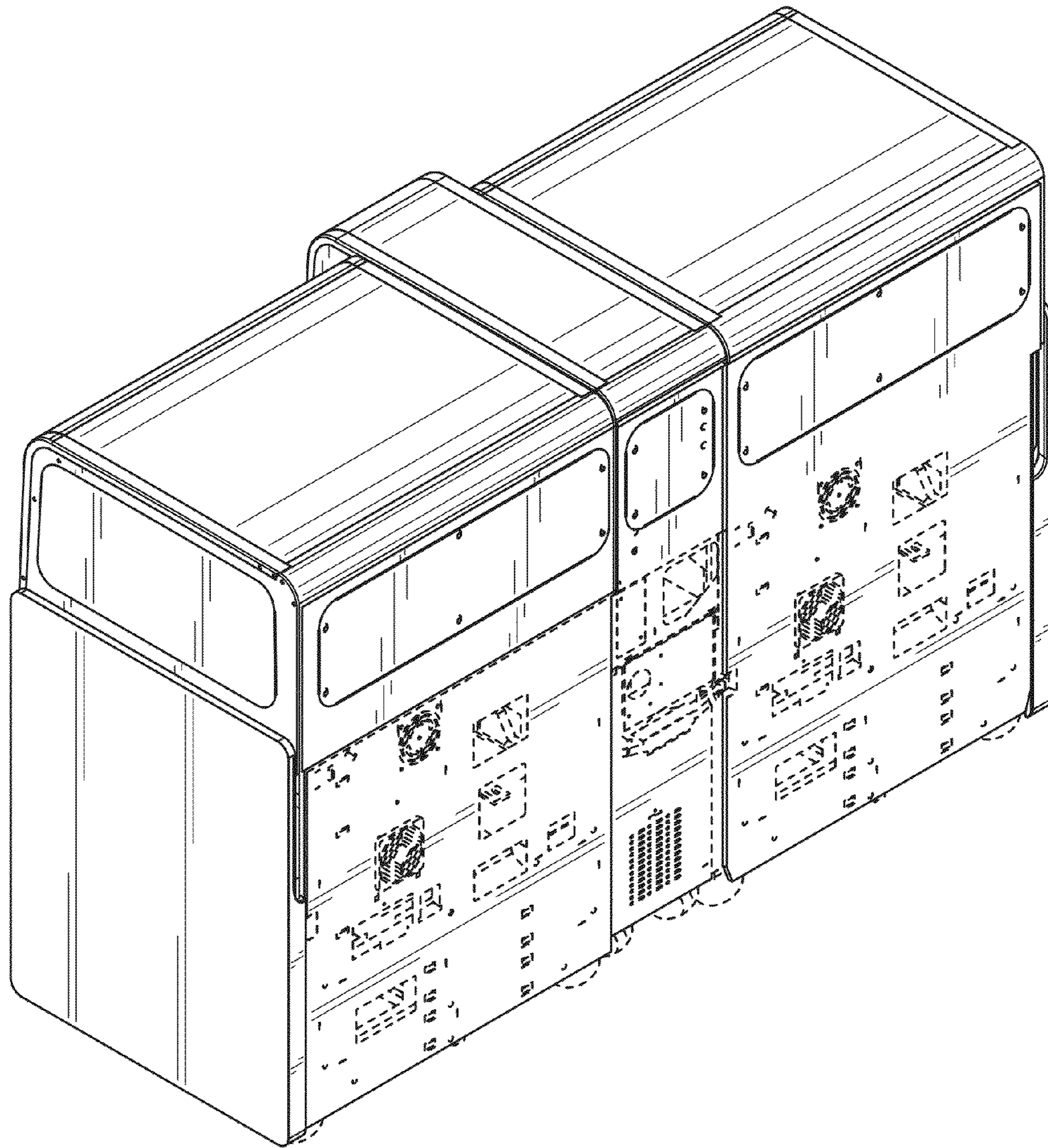


FIG. 8