



US00D736400S

(12) **United States Design Patent**  
**Matsuura**

(10) **Patent No.:** **US D736,400 S**

(45) **Date of Patent:** **\*\* Aug. 11, 2015**

(54) **EJACULATION PROMOTION APPARATUS**

D689,155 S \* 9/2013 Jahns ..... D21/692  
D717,963 S \* 11/2014 Milton ..... D24/215  
D724,750 S \* 3/2015 Taylor ..... D24/211

(71) Applicant: **TENGA CO., LTD.**, Nakano-ku, Tokyo (JP)

\* cited by examiner

(72) Inventor: **Tsutomu Matsuura**, Tokyo (JP)

*Primary Examiner* — Sandra Snapp

(73) Assignee: **TENGA CO., LTD.**, Nakano-Ku (JP)

(74) *Attorney, Agent, or Firm* — Masuvalley and Partners

(\*\*) Term: **14 Years**

(57) **CLAIM**

The ornamental design for an ejaculation promotion apparatus, as shown and described.

(21) Appl. No.: **29/510,355**

**DESCRIPTION**

(22) Filed: **Nov. 26, 2014**

FIG. 1 is a perspective view of an ejaculation promotion apparatus removed from within a container according to the invention;

(30) **Foreign Application Priority Data**

Oct. 22, 2014 (JP) ..... 2014-023630

FIG. 2 is a front elevation view of the ejaculation promotion apparatus of FIG. 1;

(51) **LOC (10) Cl.** ..... **28-03**

FIG. 3 is a rear elevation view of the ejaculation promotion apparatus of FIG. 1;

(52) **U.S. Cl.**

USPC ..... **D24/215**

FIG. 4 is a left side elevation view of the ejaculation promotion apparatus of FIG. 1;

(58) **Field of Classification Search**

USPC ..... D24/200, 211, 212, 213, 214, 215;  
601/110–114, 120, 121, 124, 125, 129,  
601/131, 134, 135, 136, 137

FIG. 5 is a right side elevation view of the ejaculation promotion apparatus of FIG. 1;

CPC ..... A61H 19/30; A61H 19/32; A61H 19/34;  
A61H 19/40; A61H 19/44; A61H 19/50;  
A61H 19/00; A61H 2201/1253; A61H  
2205/082; A61H 2205/085; A61H 2205/087;  
A61H 15/0085

FIG. 6 is a top plan view of the ejaculation promotion apparatus of FIG. 1;

See application file for complete search history.

FIG. 7 is a bottom plan view of the ejaculation promotion apparatus of FIG. 1;

(56) **References Cited**

**U.S. PATENT DOCUMENTS**

D478,947 S \* 8/2003 Lu ..... D21/662  
D497,457 S \* 10/2004 Willinger ..... D30/160  
D638,589 S \* 5/2011 Axelrod et al. .... D30/160

FIG. 8 is a cross-sectional view of the ejaculation promotion apparatus through line 8-8 shown in FIG. 2;

FIG. 9 is a perspective view of a container with the ejaculation promotion apparatus of FIG. 1 stored within; and,

FIG. 10 is a cross-sectional view of the container and the ejaculation promotion apparatus shown in FIG. 9.

The broken line disclosure, as well as line shading in parts of the drawings is included for the purpose of illustrating use and environment and forms no part of the claimed design.

**1 Claim, 10 Drawing Sheets**

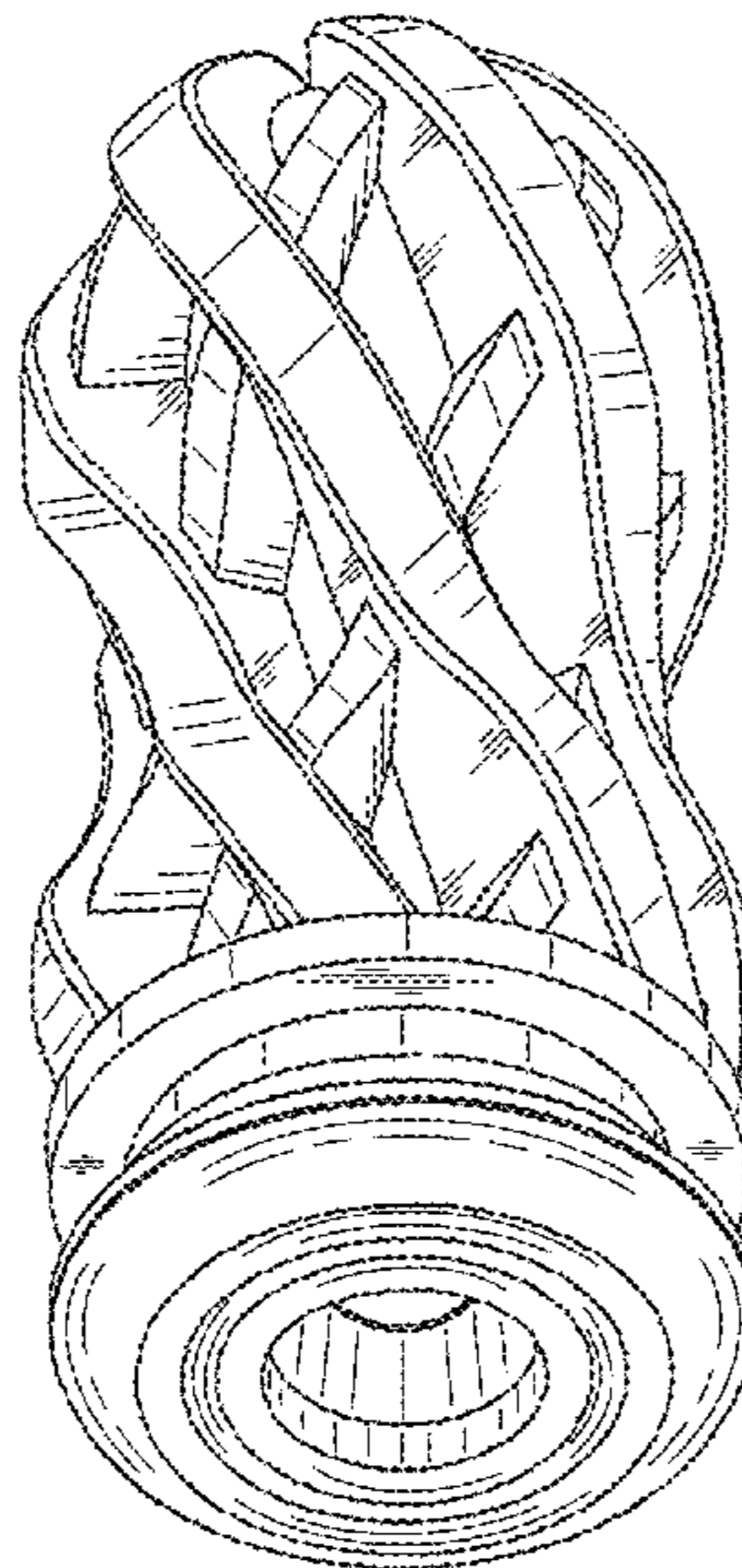


FIG. 1

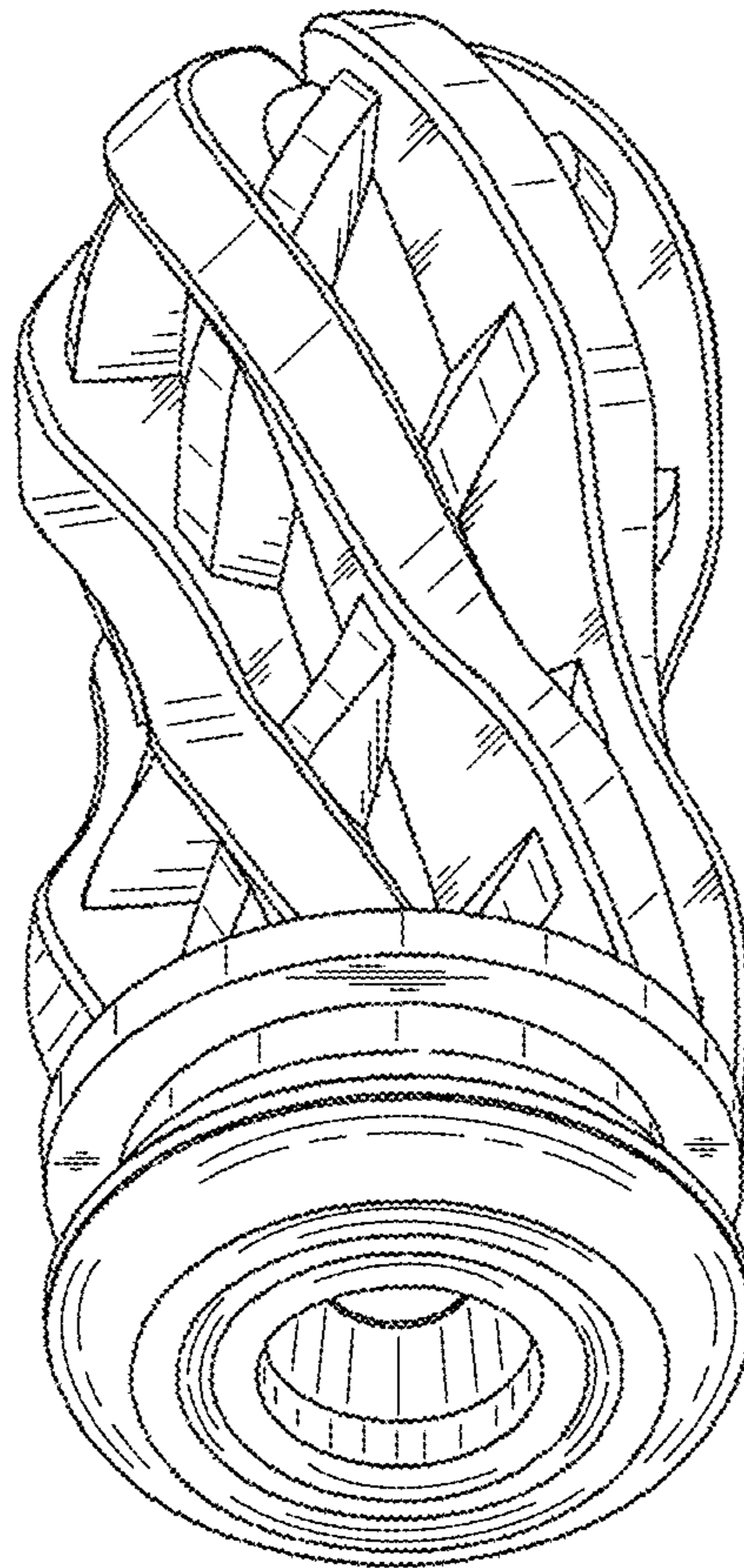


FIG. 2

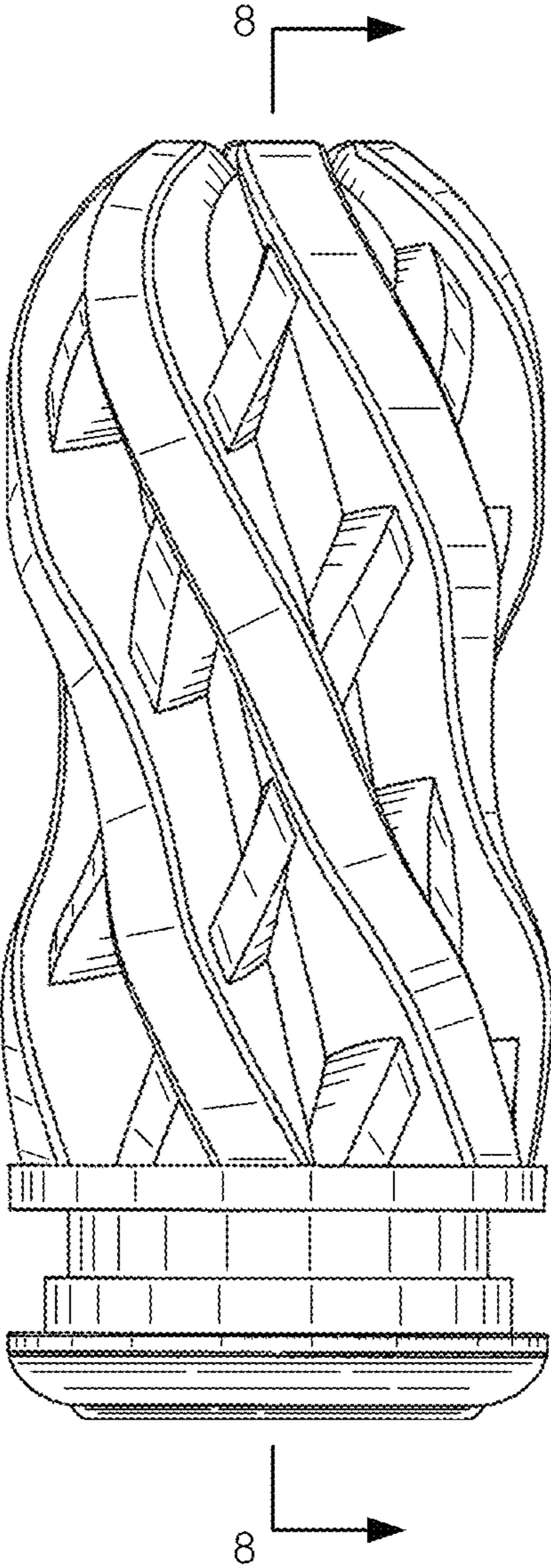


FIG. 3

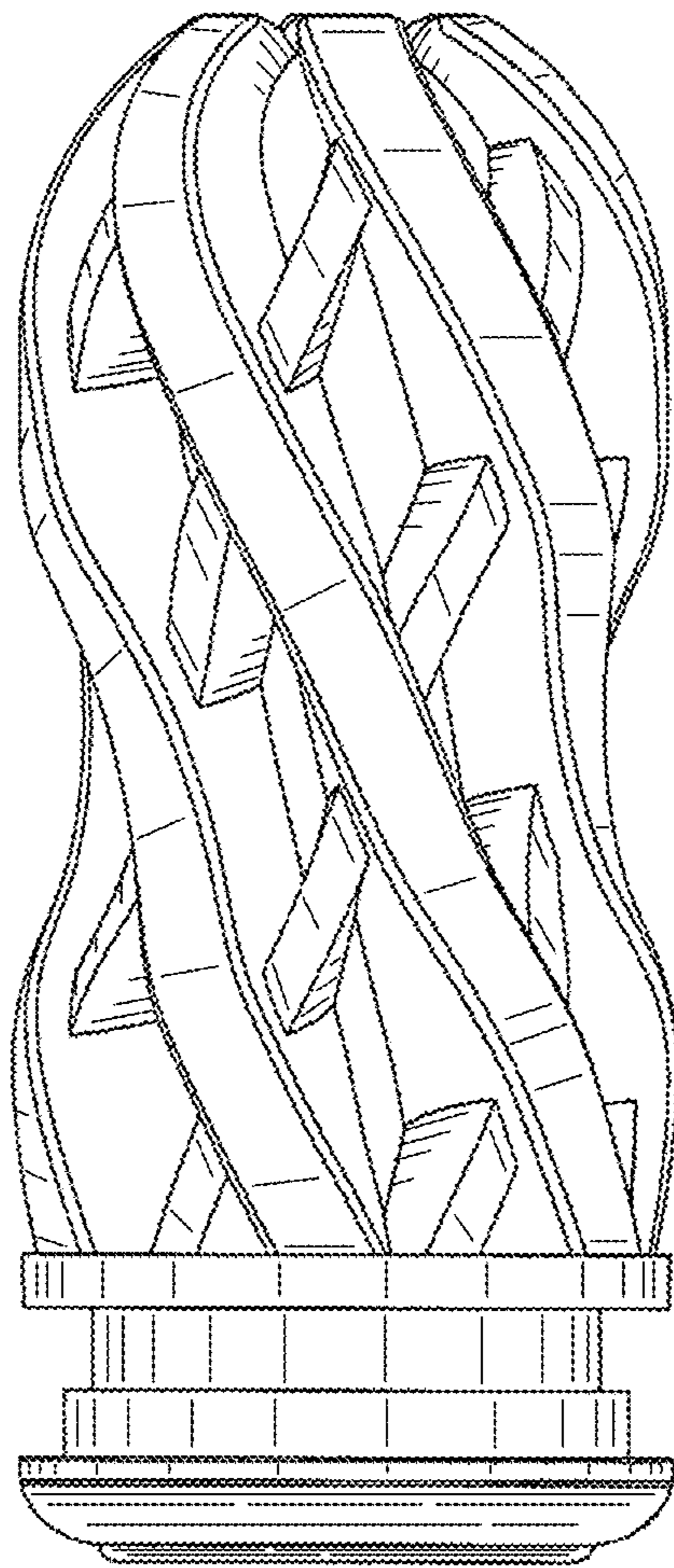


FIG. 4

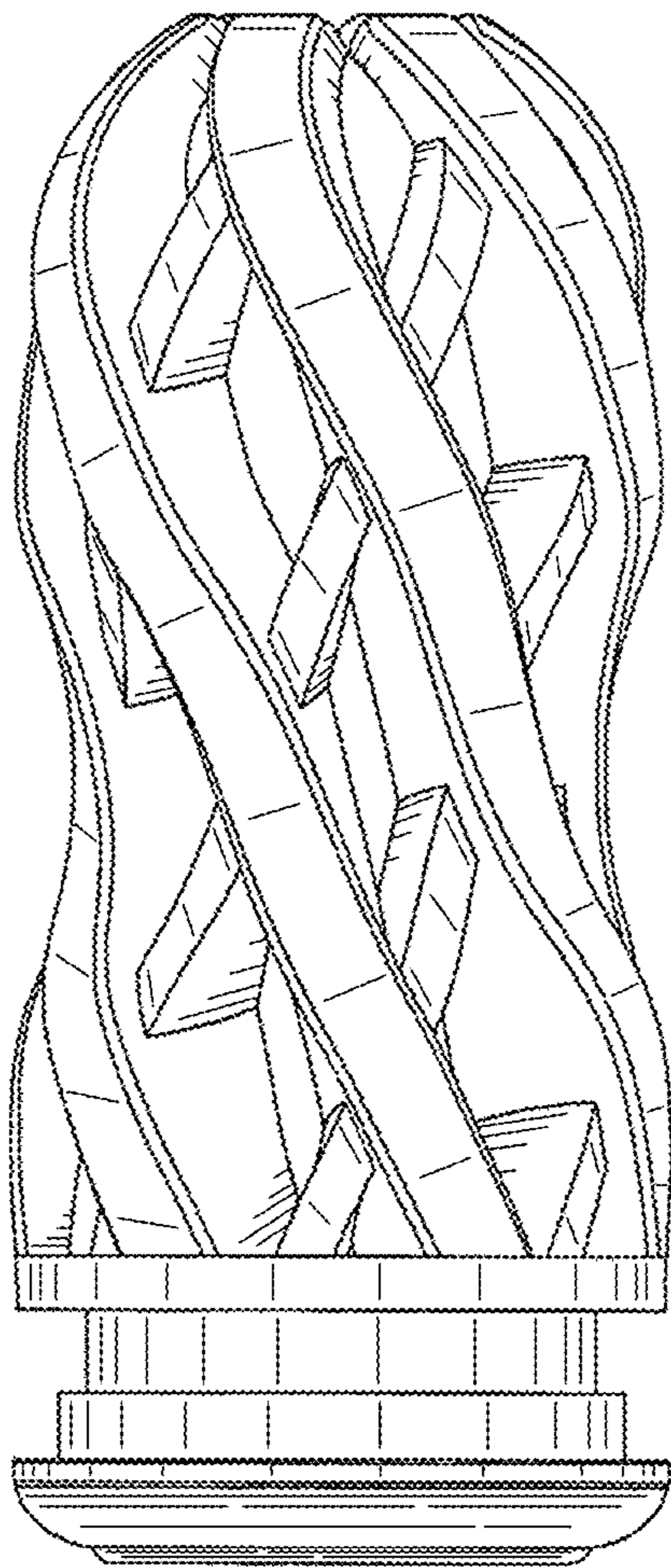


FIG. 5

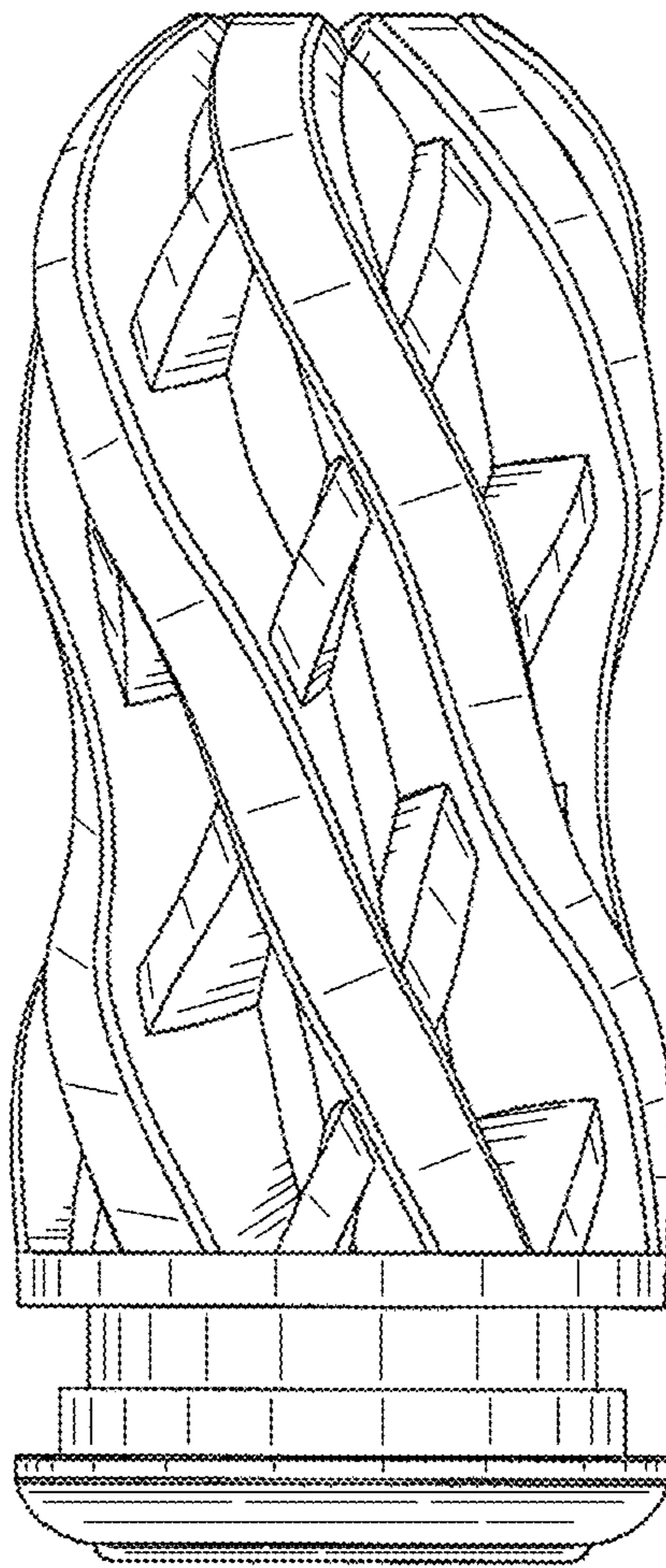


FIG. 6

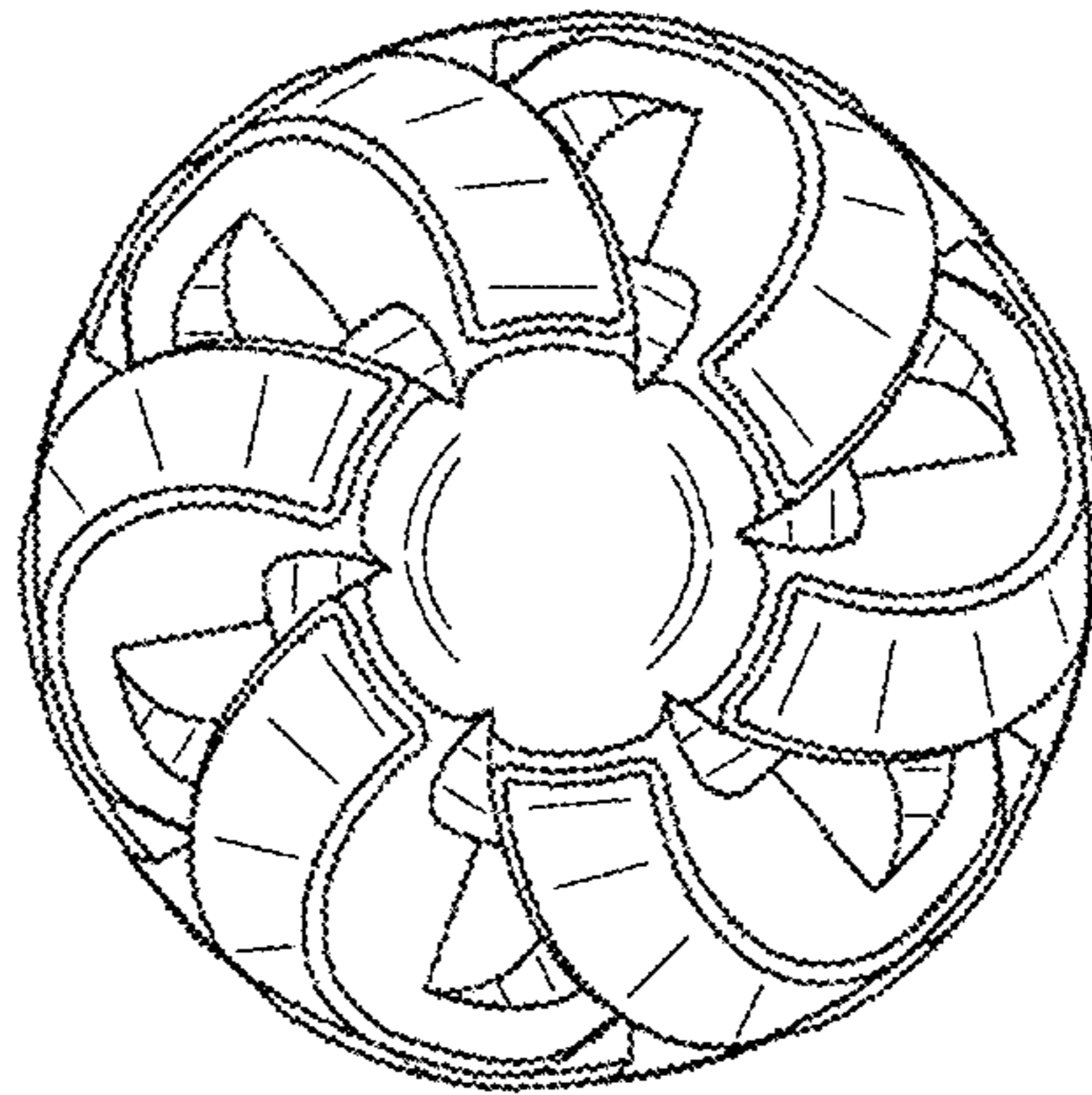


FIG. 7

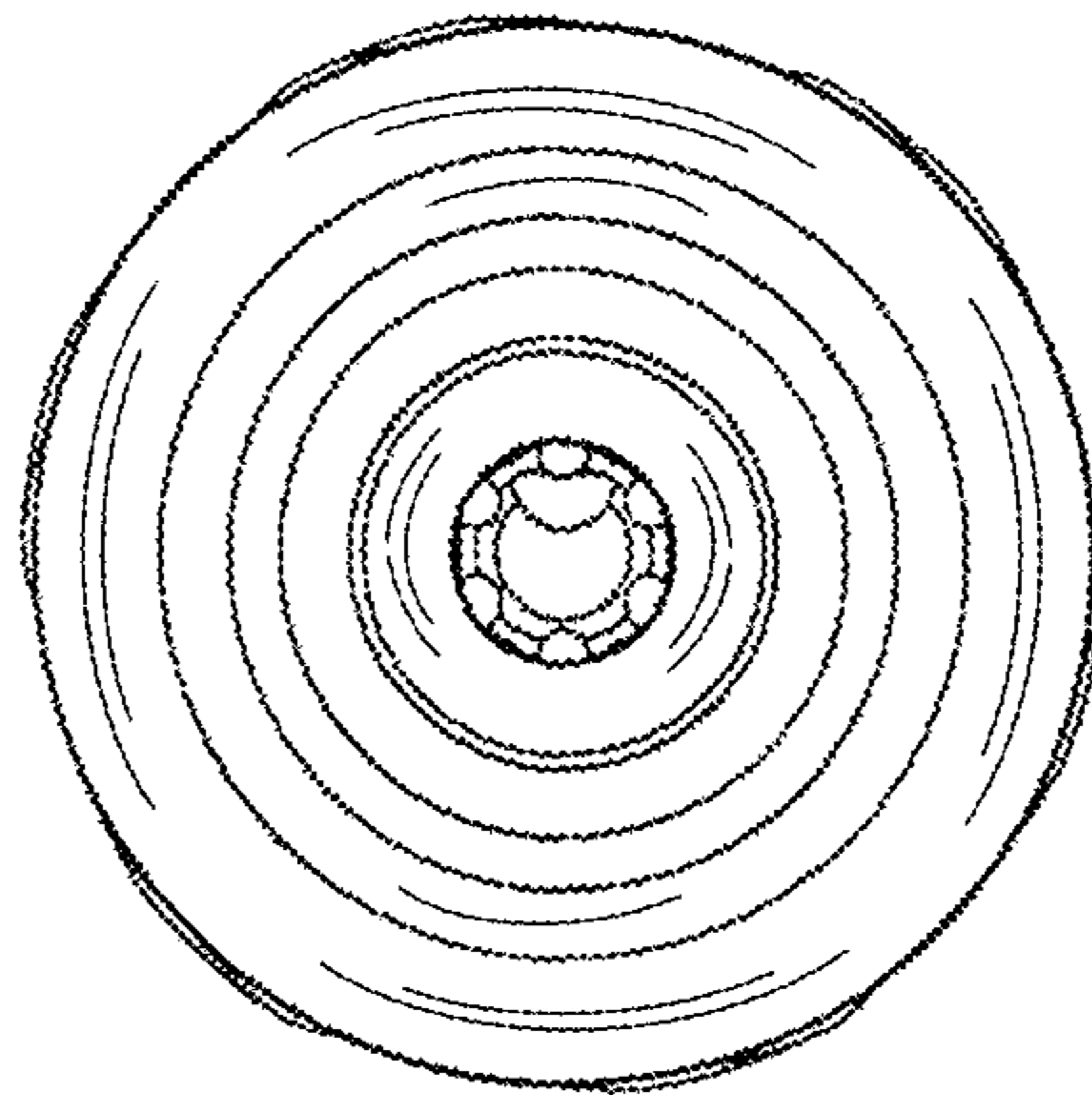




FIG. 8

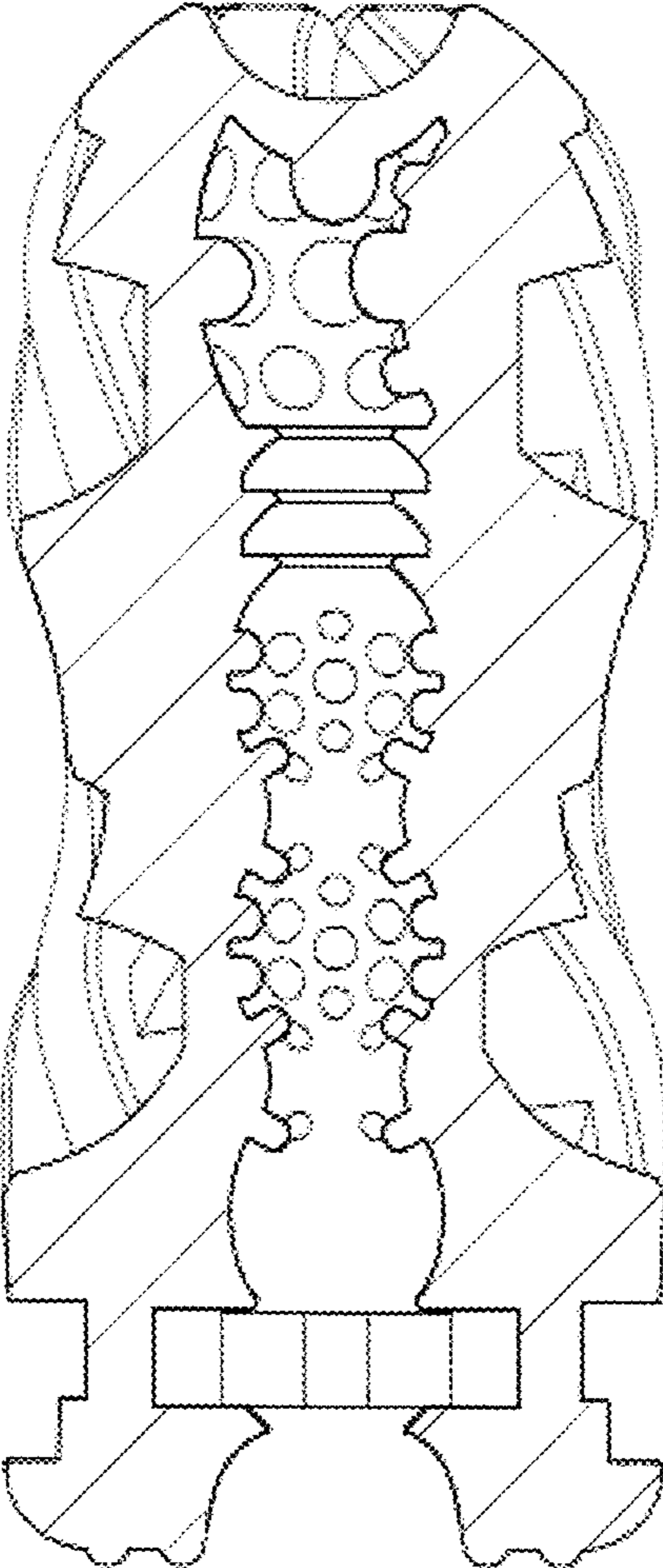


FIG. 9

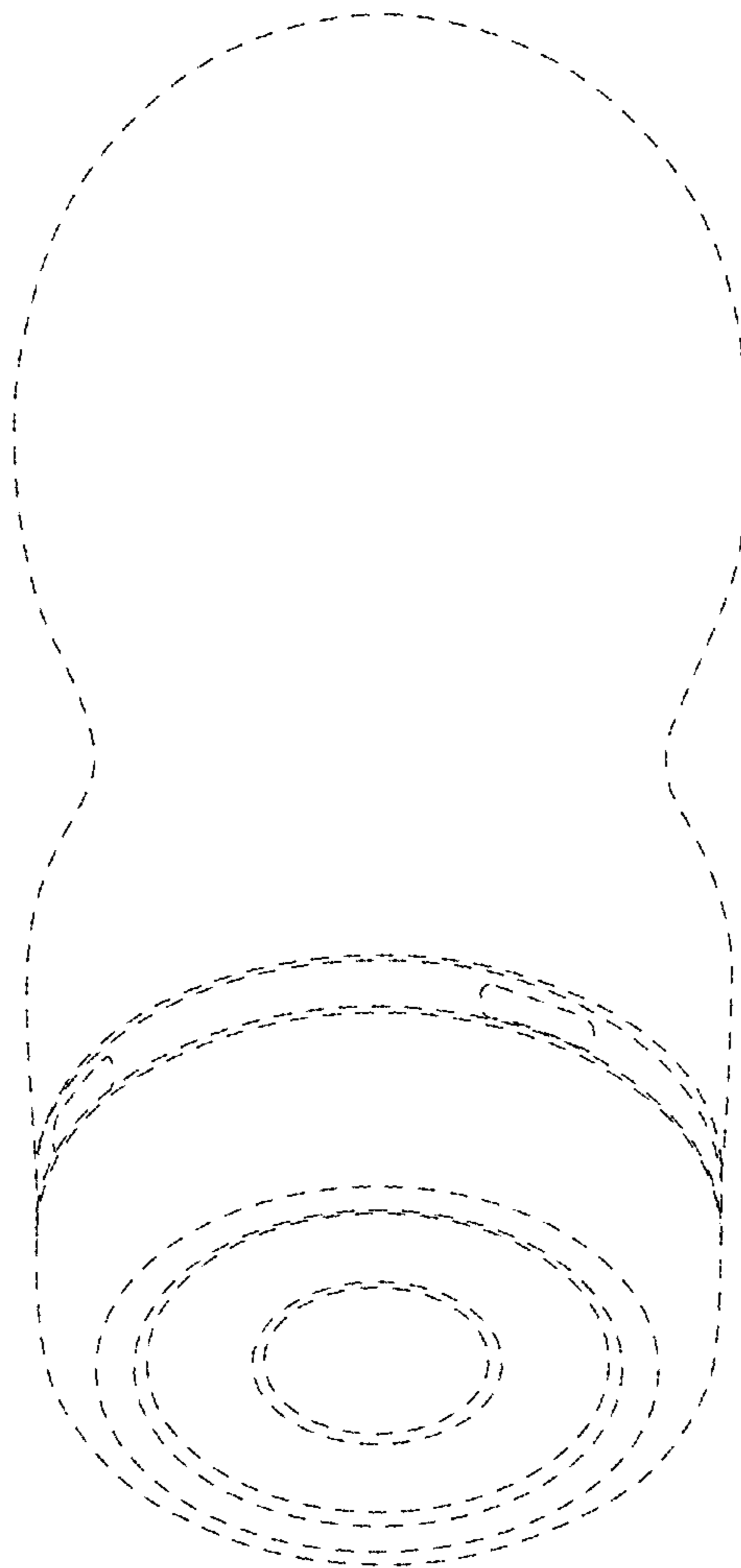


FIG. 10

