



US00D736397S

(12) **United States Design Patent**  
**McAviney et al.**

(10) **Patent No.:** **US D736,397 S**

(45) **Date of Patent:** **\*\* Aug. 11, 2015**

(54) **SPINAL REHABILITATION DEVICE**

(71) Applicants: **Jeb McAviney**, Sydney (AU); **Adrian Dennewald**, Sydney (AU)

(72) Inventors: **Jeb McAviney**, Sydney (AU); **Adrian Dennewald**, Sydney (AU)

(\*\*) Term: **14 Years**

(21) Appl. No.: **29/445,155**

(22) Filed: **Apr. 10, 2013**

(51) **LOC (10) Cl.** ..... **28-03**

(52) **U.S. Cl.**  
USPC ..... **D24/211**; D25/119; D24/200

(58) **Field of Classification Search**  
USPC ..... D24/155-157, 188, 200, 211, 183;  
D25/119; D21/385, 386, 392  
CPC ..... A61H 2205/081; A61H 2201/1695;  
A61H 15/0092

See application file for complete search history.

(56) **References Cited**

**U.S. PATENT DOCUMENTS**

D444,560 S \* 7/2001 Berglund ..... D24/188  
D518,576 S \* 4/2006 Sevier et al. .... D24/214  
D551,355 S \* 9/2007 Tao ..... D24/200

D615,210 S \* 5/2010 Woodhams et al. .... D24/211  
D623,305 S \* 9/2010 Tao ..... D24/200  
D635,271 S \* 3/2011 Azar et al. .... D24/200  
D664,256 S \* 7/2012 Dennewald ..... D24/183  
D665,503 S \* 8/2012 Dennewald ..... D24/183  
D672,879 S \* 12/2012 Hawkins ..... D24/200  
D678,539 S \* 3/2013 Narson ..... D24/200  
D680,654 S \* 4/2013 Borreli ..... D24/188  
D688,379 S \* 8/2013 Ehlers ..... D24/211  
D708,754 S \* 7/2014 Harangvolgyi ..... D24/211  
D710,021 S \* 7/2014 Blaine et al. .... D24/200  
D715,452 S \* 10/2014 Schiavon ..... D24/200  
2007/0101503 A1 \* 5/2007 Dennewald ..... 5/638  
2014/0076330 A1 \* 3/2014 Rolle et al. .... 128/845

\* cited by examiner

*Primary Examiner* — Ian Simmons

*Assistant Examiner* — Charles Hanson

(57) **CLAIM**

We claim the ornamental design for a spinal rehabilitation device, as shown and described.

**DESCRIPTION**

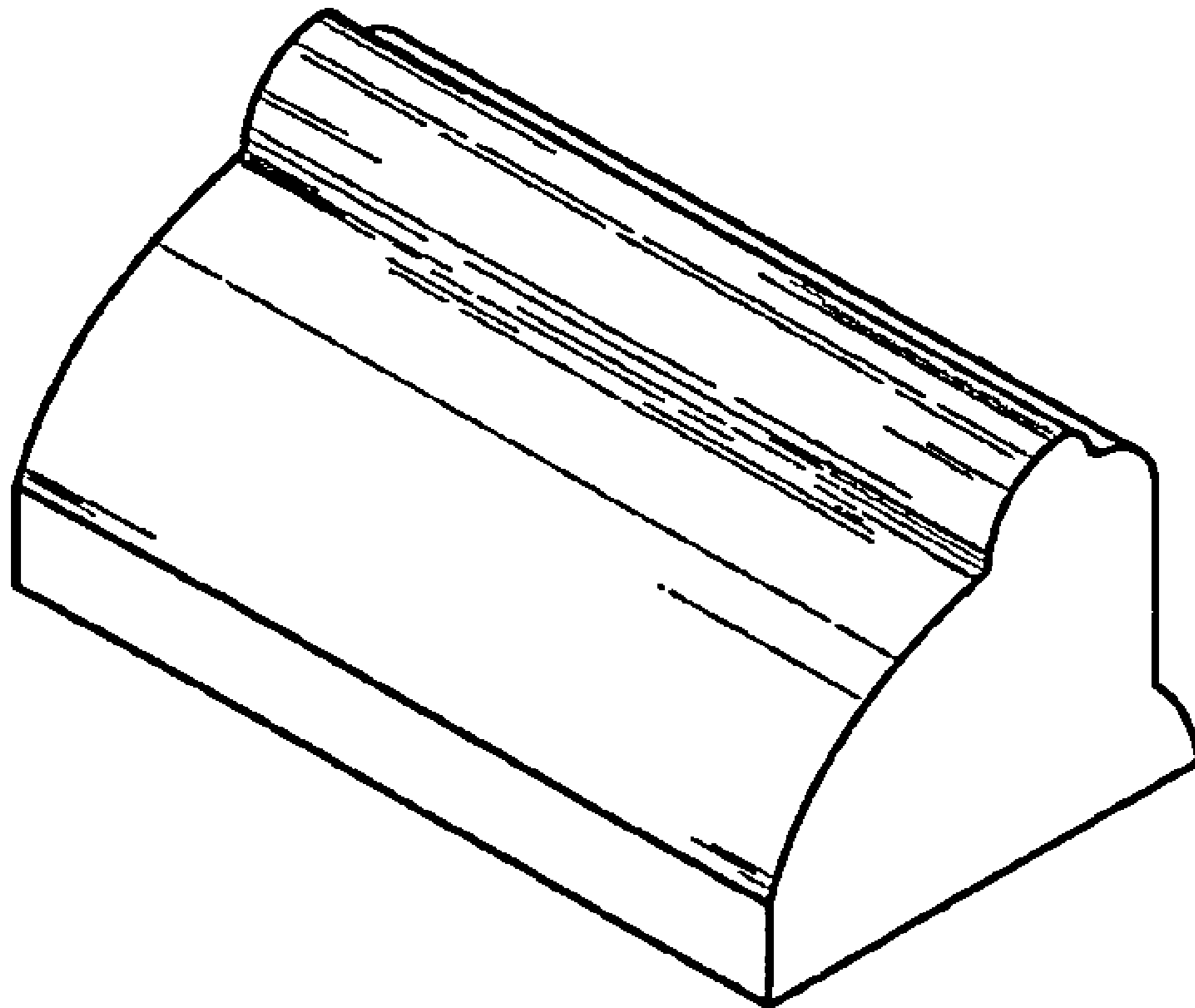
FIG. 1 is a front isometric view of a spinal rehabilitation device showing our new design;

FIG. 2 is a rear isometric view thereof;

FIG. 3 is a top plan view thereof; and,

FIG. 4 is a left sided plain view thereof.

**1 Claim, 1 Drawing Sheet**



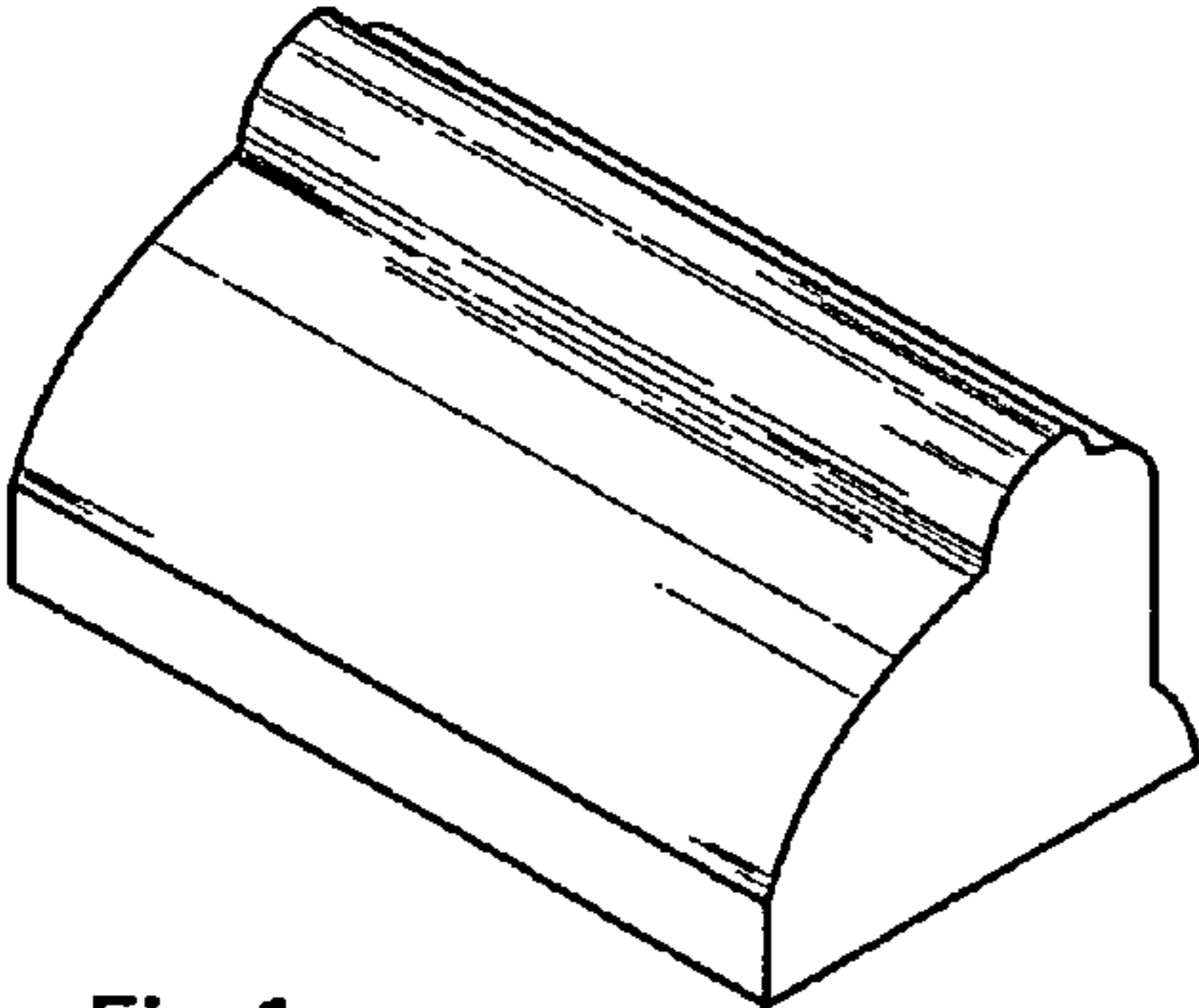


Fig.1

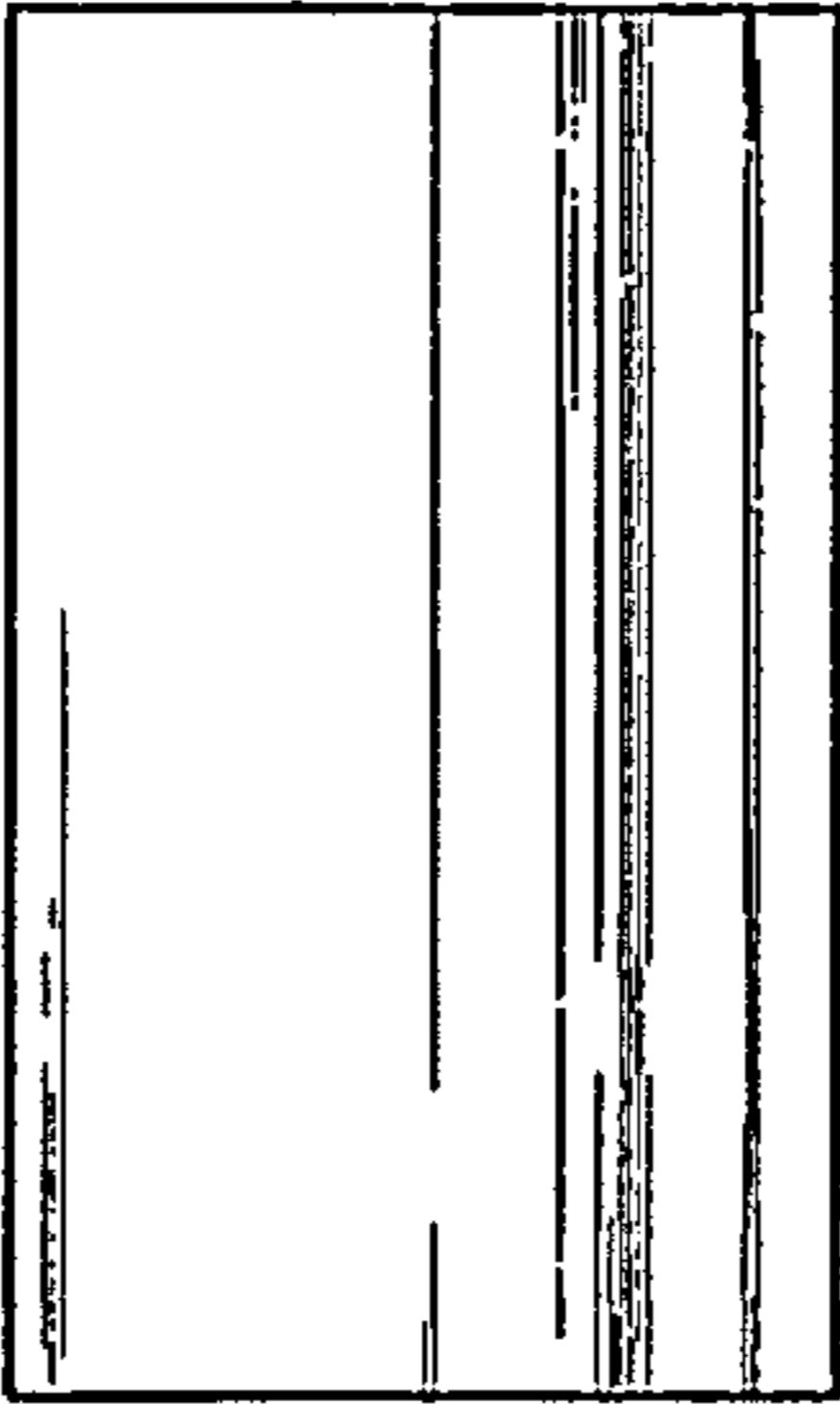


Fig.3

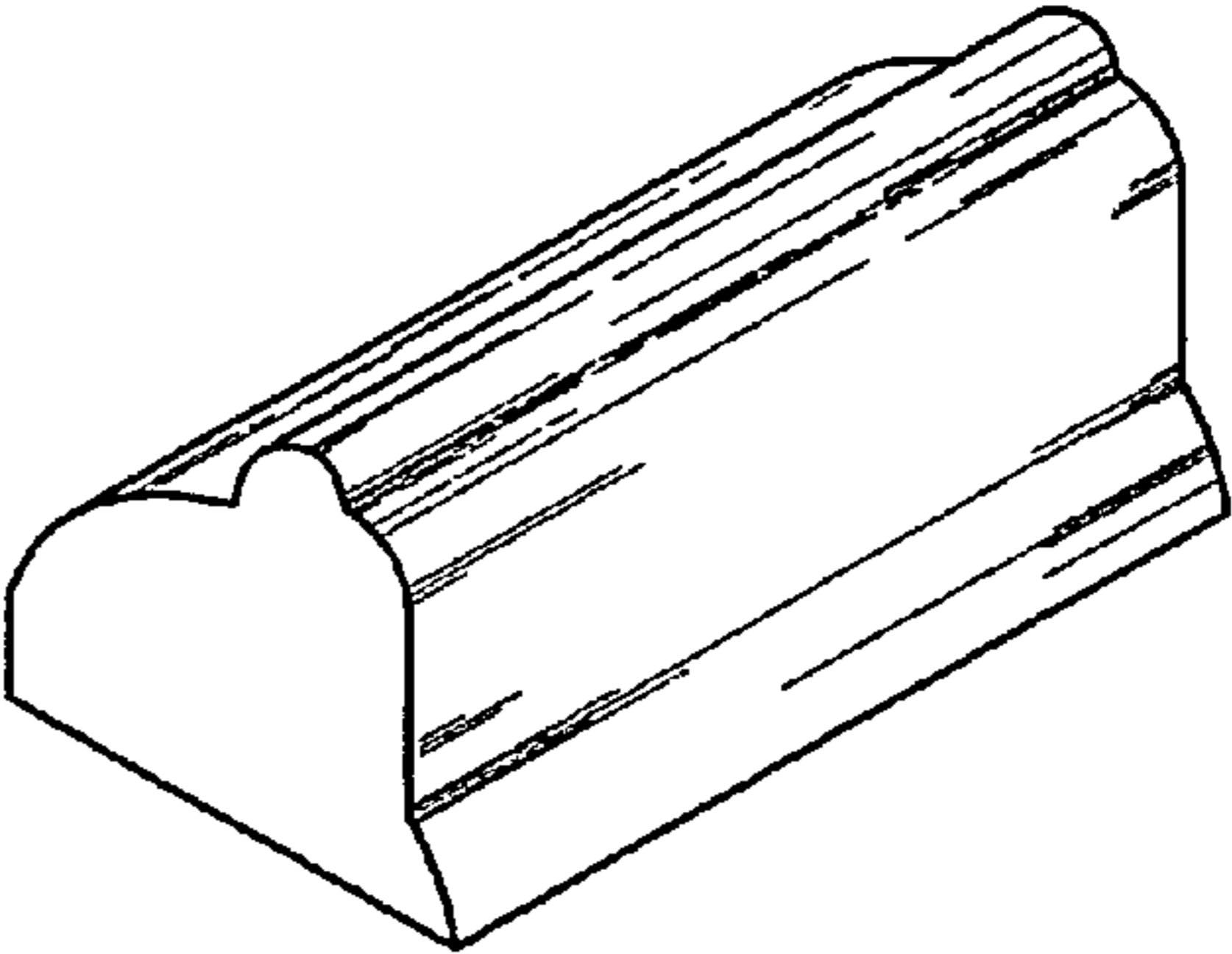


Fig.2

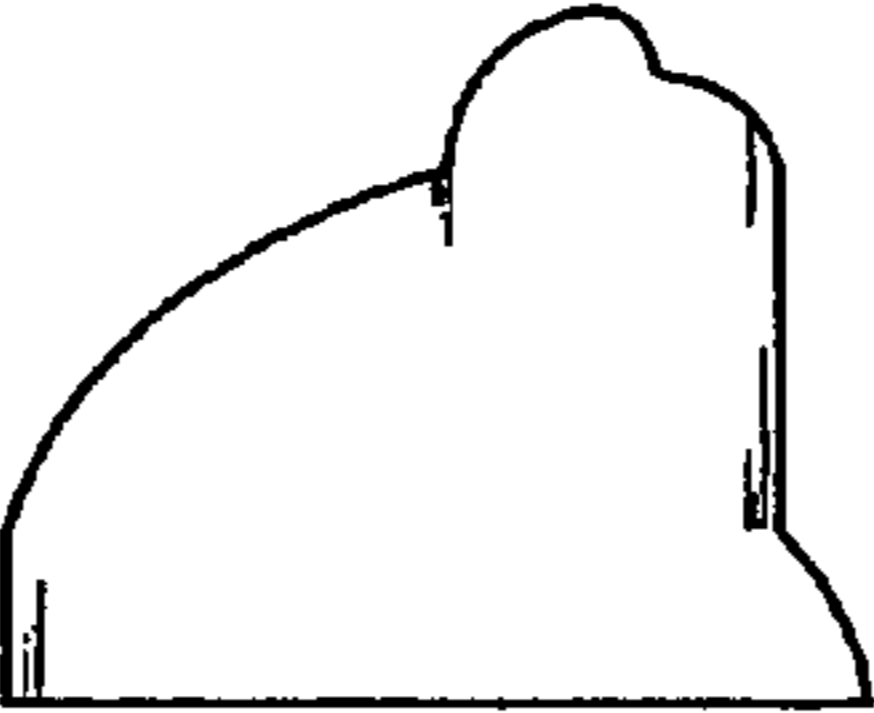


Fig.4