



US00D736393S

(12) **United States Design Patent**
Cox

(10) **Patent No.:** **US D736,393 S**

(45) **Date of Patent:** **** *Aug. 11, 2015**

(54) **SURGICAL STAND**

(71) Applicant: **Sammy Lane Cox**, Amarillo, TX (US)

(72) Inventor: **Sammy Lane Cox**, Amarillo, TX (US)

(*) Notice: This patent is subject to a terminal disclaimer.

(**) Term: **14 Years**

(21) Appl. No.: **29/483,533**

(22) Filed: **Feb. 28, 2014**

(51) **LOC (10) Cl.** **24-00**

(52) **U.S. Cl.**
USPC **D24/185**

(58) **Field of Classification Search**
USPC D24/185, 172, 234, 128; 606/1;
D6/653.15, 708.17, 708, 690, 696.1,
D6/691.4, 353, 656.15, 486, 349, 405,
D6/368; D12/400; 273/309; 128/849, 845;
108/24

See application file for complete search history.

(56) **References Cited**

U.S. PATENT DOCUMENTS

3,557,791	A *	1/1971	Duffy	606/1
D246,186	S *	10/1977	Rorabaugh	D24/172
D270,588	S *	9/1983	Kemple	D6/486
D422,803	S *	4/2000	Bufalini	D6/368
D447,567	S *	9/2001	Murphy et al.	D24/172
D454,400	S *	3/2002	Nored	D24/234
D478,431	S *	8/2003	Britigan	D6/405
D481,350	S *	10/2003	McCoy et al.	D12/400
D567,381	S *	4/2008	Olivera et al.	D24/185
D568,467	S *	5/2008	Cottone	D24/128
7,578,507	B2 *	8/2009	Slappay	273/309
D613,082	S *	4/2010	Peel	D6/349
D616,551	S *	5/2010	Fallon et al.	D24/185
D626,238	S *	10/2010	Zinnanti	D24/185
7,854,230	B2 *	12/2010	Faries et al.	128/849
D664,792	S *	8/2012	Gustafson et al.	D6/486
8,397,647	B1 *	3/2013	Riegel	108/24

D685,913	S *	7/2013	Augustinos et al.	D24/185
D687,657	S *	8/2013	Ruiter et al.	D6/656.15
D689,705	S *	9/2013	Gustafson et al.	D6/353

(Continued)

OTHER PUBLICATIONS

“ECX.Images” reference dated Jan. 5, 2015, found on the internet at http://ecx.images-amazon.com/images/I/41g%2BBvTWEJL._SY300_.jpg.*

(Continued)

Primary Examiner — Holly Baynham

Assistant Examiner — Rhea Shields

(74) *Attorney, Agent, or Firm* — Chainey P. Singleton; Chalker Flores, LLP

(57) **CLAIM**

The ornamental design for a surgical stand, as shown and described.

DESCRIPTION

FIG. 1 is an isometric top view of a surgical stand showing my new design to position, wherein the tool is merely to show scale.

FIG. 2 is a side view of a surgical stand showing my new design.

FIG. 3 is a side view of a surgical stand showing my new design.

FIG. 4 is a side view of a surgical stand showing my new design.

FIG. 5 is a side view of a surgical stand showing my new design.

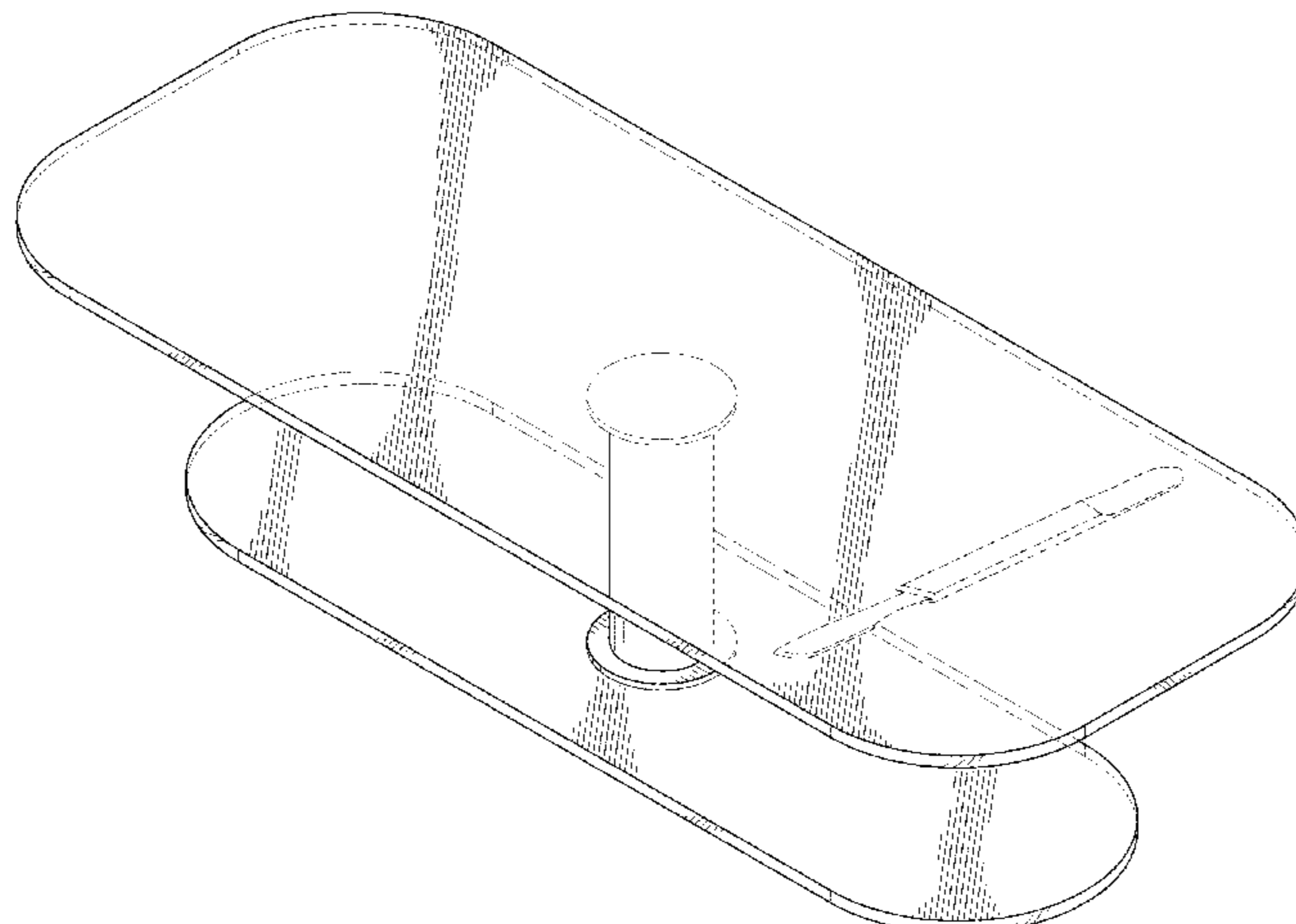
FIG. 6 is a top view of a surgical stand showing my new design.

FIG. 7 is a bottom view of a surgical stand showing my new design; and,

FIG. 8 is an isometric bottom view of a surgical stand showing my new design to position, wherein the tool is merely to show scale.

In the drawings, the broken lines depict unclaimed subject matter only and form no part of the claimed design.

1 Claim, 7 Drawing Sheets



(56)

References Cited

U.S. PATENT DOCUMENTS

D691,840 S * 10/2013 Copeland D6/691.4
D692,264 S * 10/2013 Weatherly D6/696.1
D697,344 S * 1/2014 Kerian D6/690
D716,587 S * 11/2014 Chang D6/653.15
D716,595 S * 11/2014 Muller D6/708
D716,597 S * 11/2014 Muller D6/708.17
2012/0240938 A1 * 9/2012 Pamichev 128/845

OTHER PUBLICATIONS

“St.Houzz” reference dated Jan. 5, 2015, found on the internet at http://st.houzz.com/simgs/3f41274c0301a480_4-6578/traditional-coffee-tables.jpg.*

“Img2” reference dated Jan. 5, 2015, found on the internet at <http://img2.wfrcdn.com/1f/50/hash/15491/7443097/1/Creative-Images-International-Motion-Glass-Coffee-Table.jpg>.*

* cited by examiner

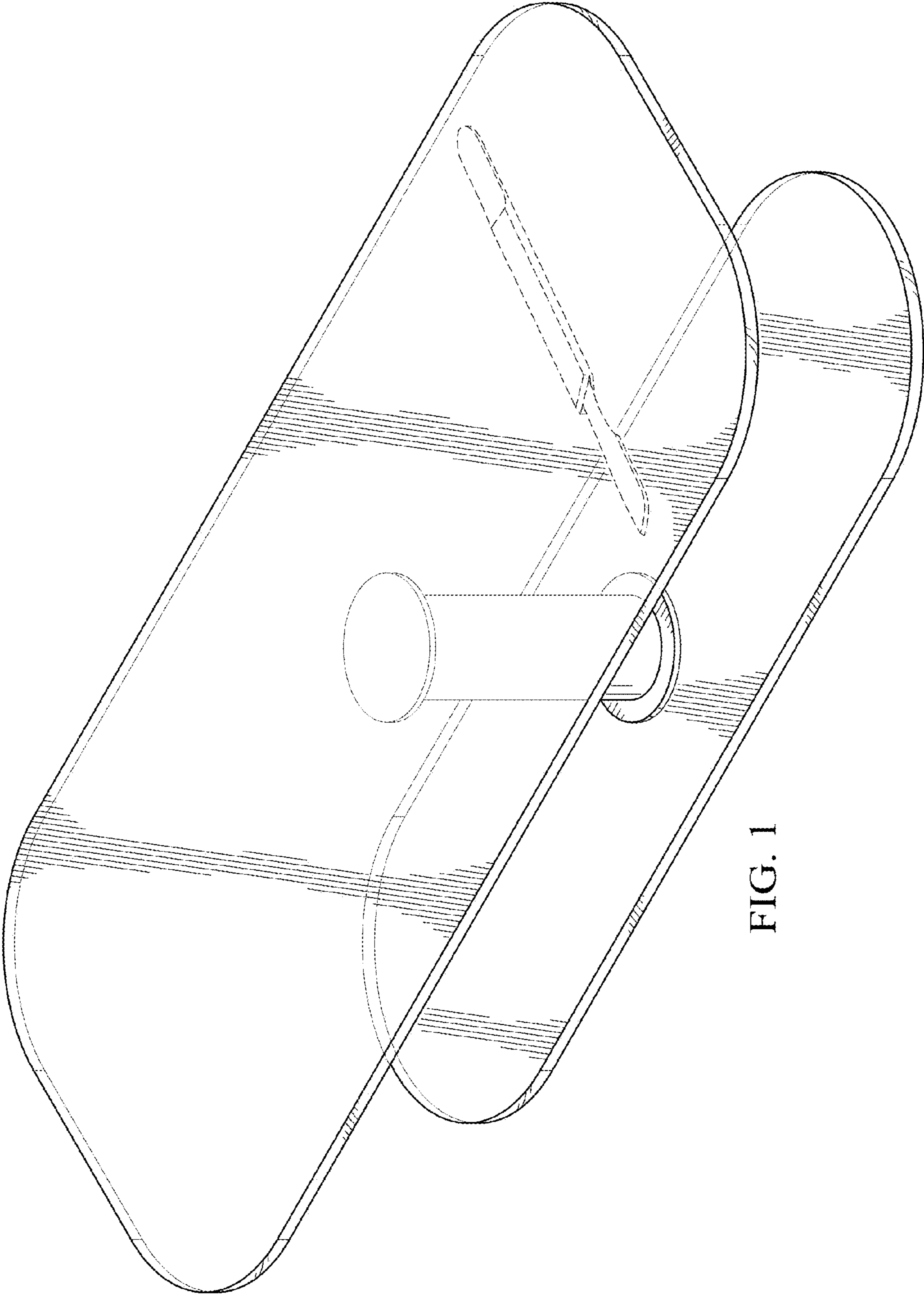


FIG. 1

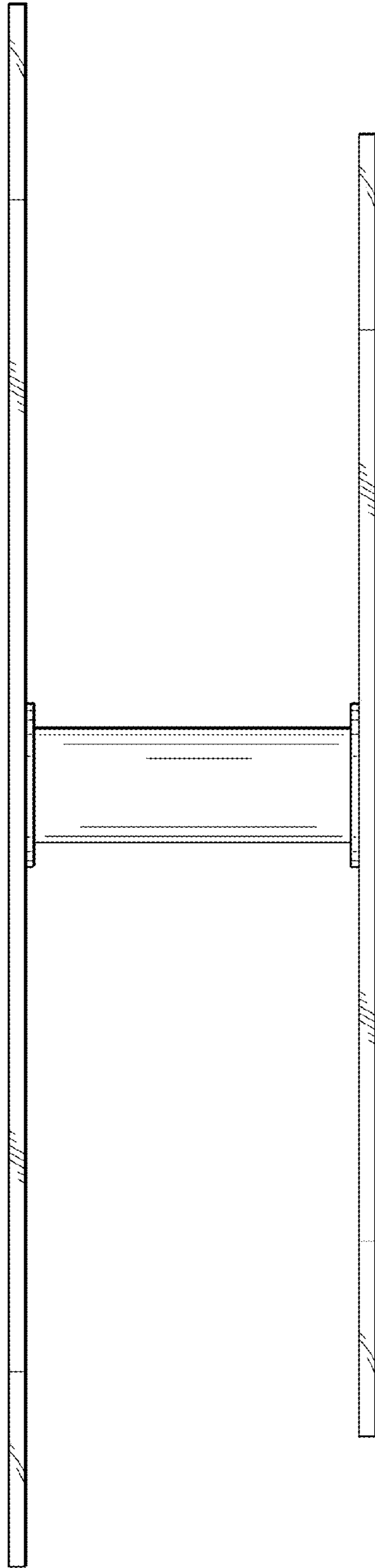


FIG. 2

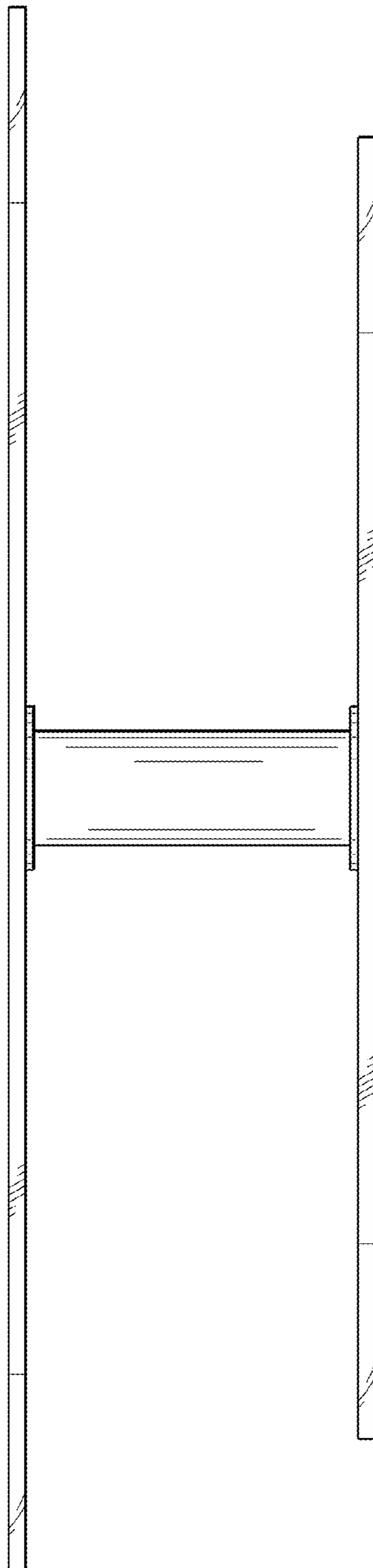


FIG. 3

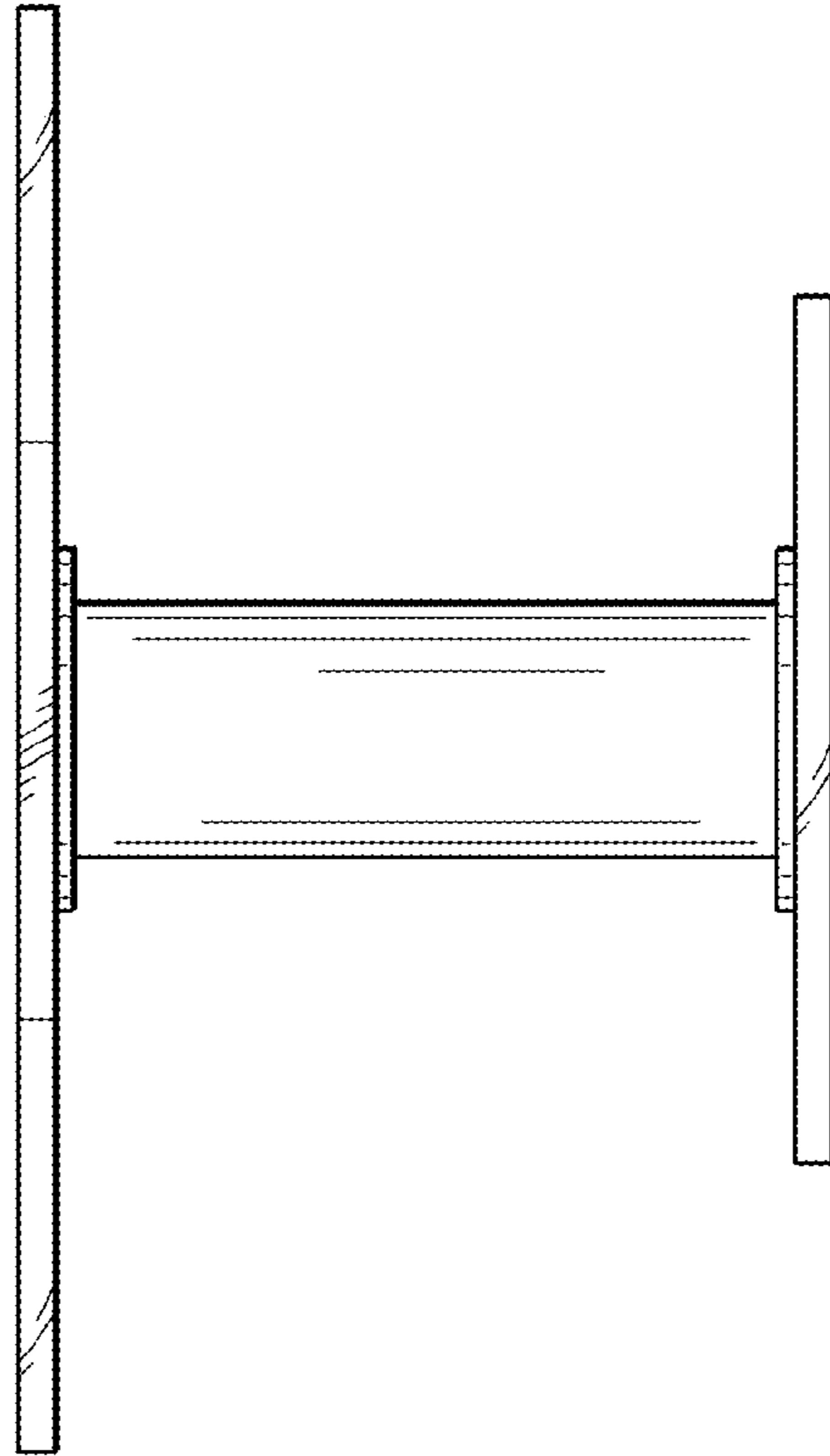


FIG. 5

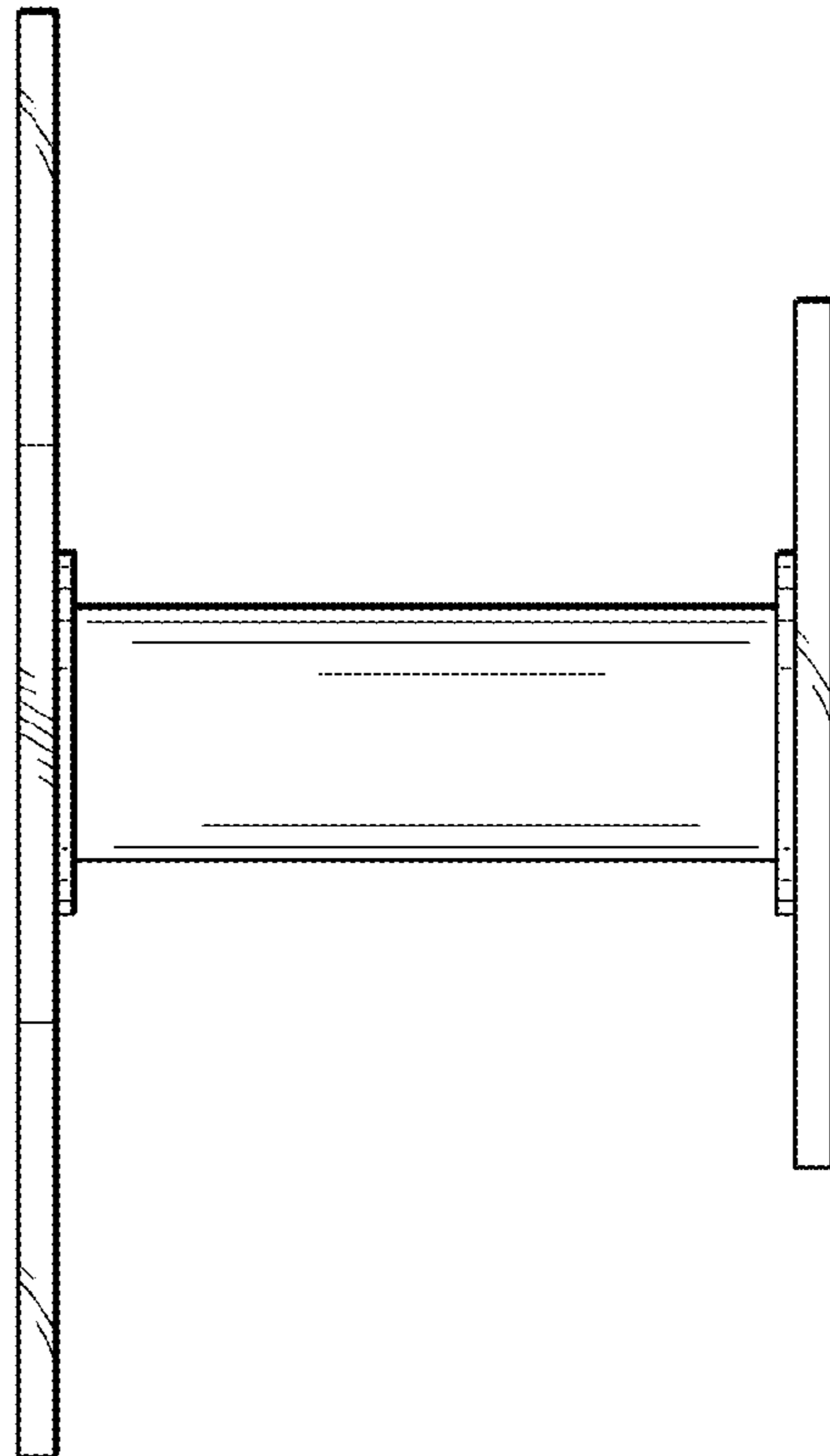


FIG. 4

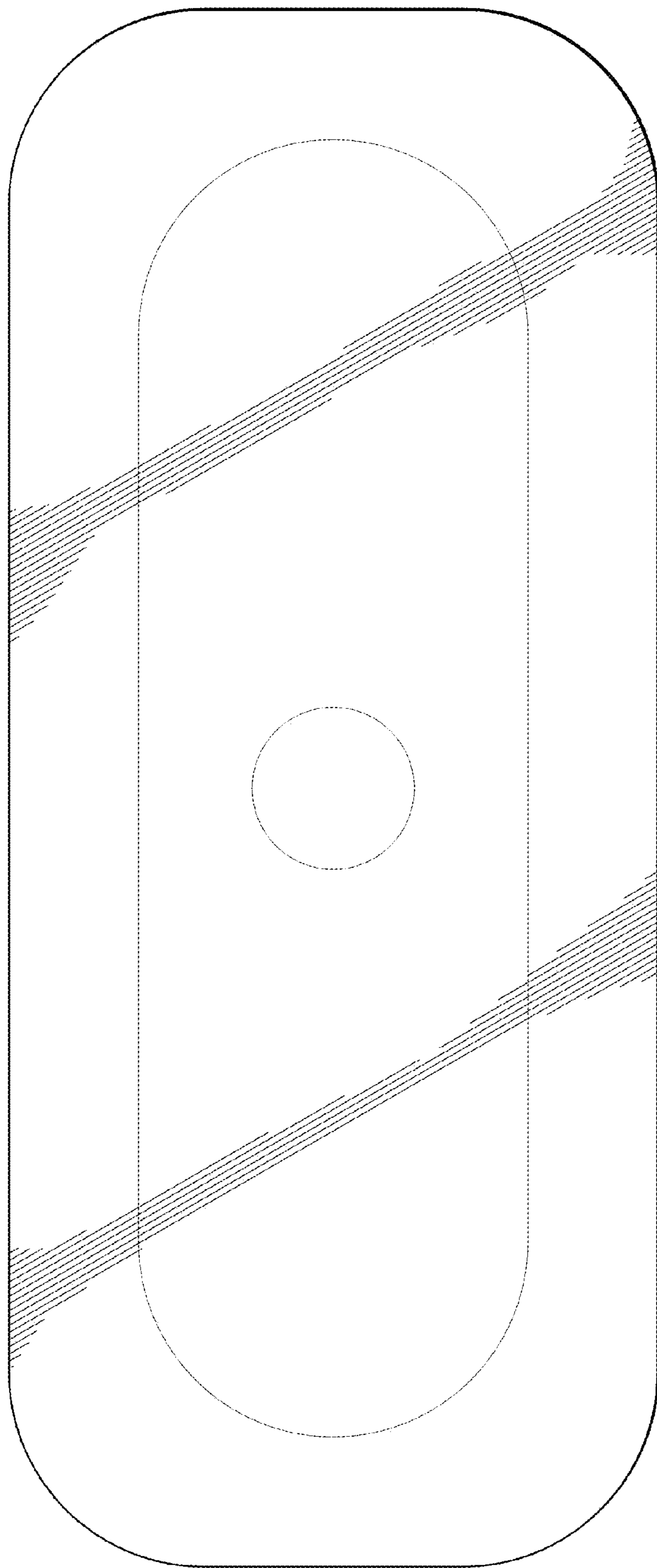


FIG. 6

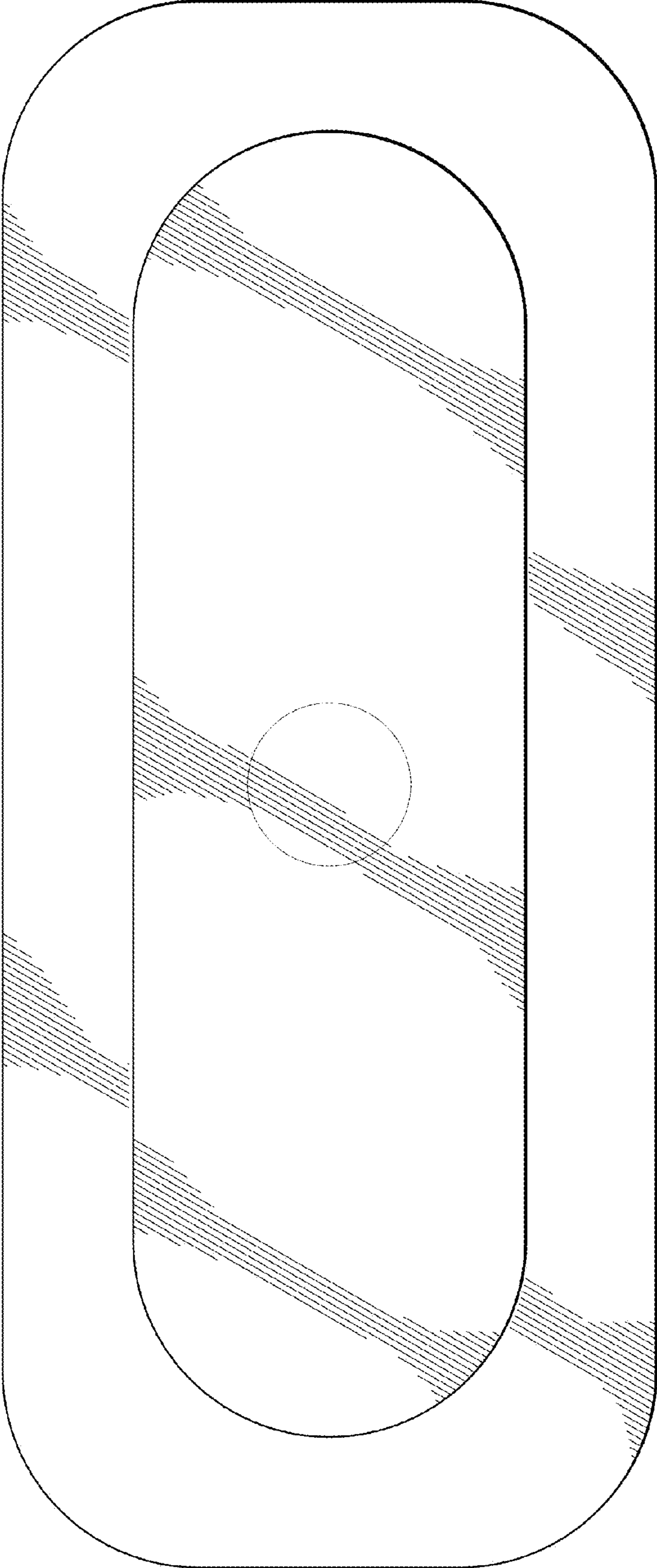


FIG. 7

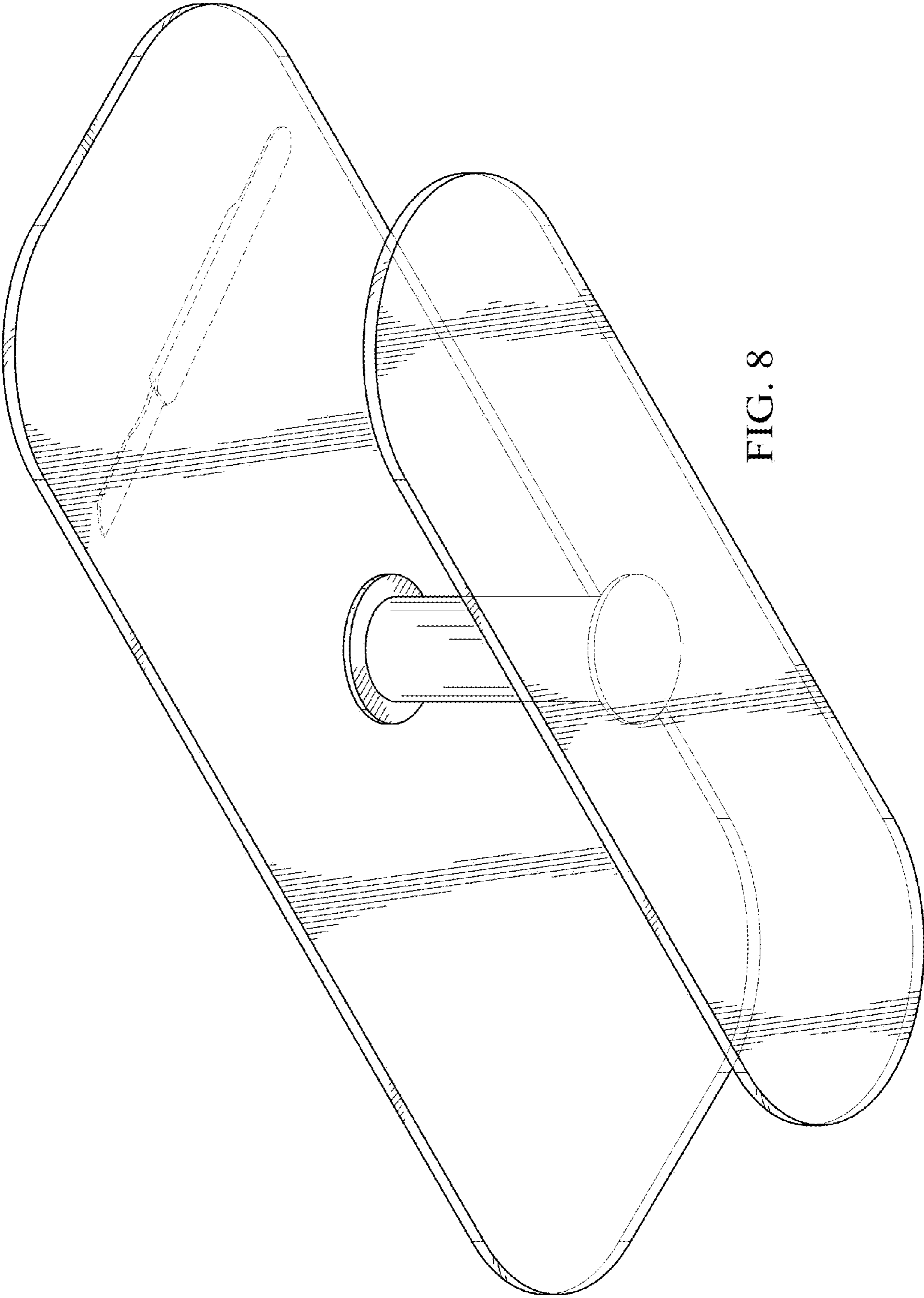


FIG. 8