



US00D736392S

(12) **United States Design Patent**
Kwon et al.

(10) **Patent No.:** **US D736,392 S**

(45) **Date of Patent:** **** Aug. 11, 2015**

(54) **SKIN CARE DEVICE**

(71) Applicant: **Amorepacific Corporation**, Seoul (KR)

(72) Inventors: **Min Kyung Kwon**, Gyeonggi-do (KR);
Ji Hye Jang, Gyeonggi-do (KR); **Joon Ho Bae**, Gyeonggi-do (KR)

(73) Assignee: **Amorepacific Corporation**, Seoul (KR)

(**) Term: **14 Years**

(21) Appl. No.: **29/481,739**

(22) Filed: **Feb. 10, 2014**

(30) **Foreign Application Priority Data**

Aug. 19, 2013 (KR) 30-2013-0042417

(51) **LOC (10) Cl.** **24-00**

(52) **U.S. Cl.**
USPC **D24/185**

(58) **Field of Classification Search**
USPC D24/185, 186, 167, 170, 200, 160, 138,
D24/144, 158; 606/45; 607/6, 5, 63, 60;
600/437; D13/163
See application file for complete search history.

(56) **References Cited**

U.S. PATENT DOCUMENTS

4,593,691	A *	6/1986	Lindstrom et al.	606/45
4,619,265	A *	10/1986	Morgan et al.	607/6
D368,310	S *	3/1996	Ouellette	D24/186
5,562,710	A *	10/1996	Olsen et al.	607/5
5,935,152	A *	8/1999	Merry et al.	607/5
D415,279	S *	10/1999	Daynes et al.	D24/167
D447,241	S *	8/2001	Deck	D24/167
6,580,948	B2 *	6/2003	Hauptert et al.	607/60
D491,667	S *	6/2004	Kimmell et al.	D24/170
D503,807	S *	4/2005	Ryan	D24/200
D505,726	S *	5/2005	Ryan	D24/200
D508,998	S *	8/2005	Ryan	D24/200
D509,900	S *	9/2005	Barnes et al.	D24/160
D549,828	S *	8/2007	Wolfson	D24/170

D601,510	S *	10/2009	Onishi	D13/163
D604,845	S *	11/2009	Hibi et al.	D24/138
D616,549	S *	5/2010	Sudhir	D24/167
D681,211	S *	4/2013	Glassett et al.	D24/170
D683,033	S *	5/2013	Yoshida et al.	D24/186
D687,146	S *	7/2013	Juzkiw et al.	D24/170
D704,839	S *	5/2014	Juzkiw et al.	D24/170
D705,424	S *	5/2014	Yarbrough	D24/144
D708,331	S *	7/2014	Kim	D24/158
D712,031	S *	8/2014	Feng et al.	D24/144
D717,446	S *	11/2014	Lu et al.	D24/167
2003/0074037	A1 *	4/2003	Moore et al.	607/63
2008/0249406	A1 *	10/2008	Naruse	600/437

* cited by examiner

Primary Examiner — Holly Baynham

Assistant Examiner — Rhea Shields

(74) *Attorney, Agent, or Firm* — Jansson Munger McKinley and Shape Ltd.

(57) **CLAIM**

The ornamental design for a skin care device, as shown and described.

DESCRIPTION

FIG. 1 is a perspective view of the skin care device of the present design;

FIG. 2 is a front elevation view of the skin care device shown in FIG. 1;

FIG. 3 is a rear elevation view of the skin care device shown in FIG. 1;

FIG. 4 is a left side elevation view of the skin care device shown in FIG. 1;

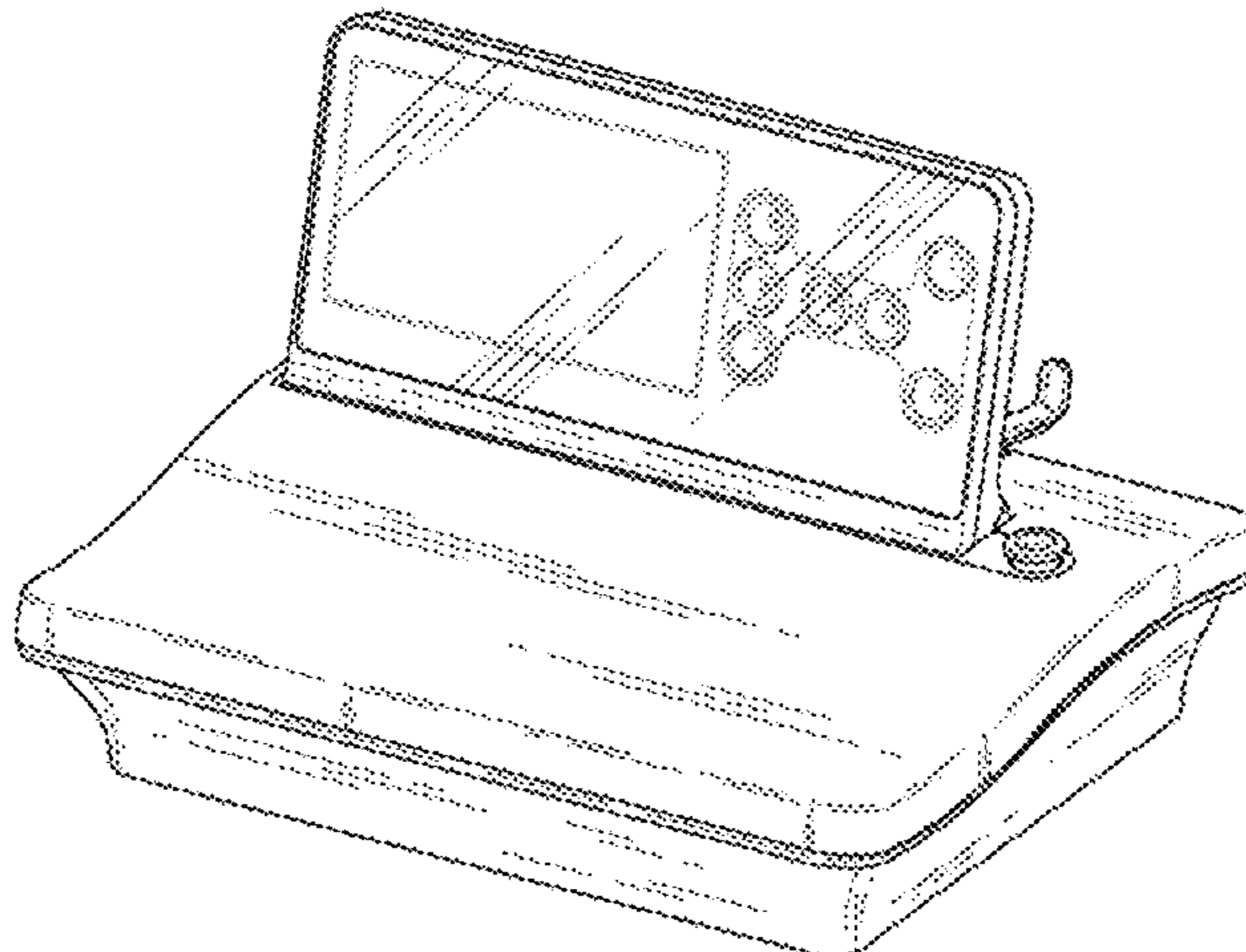
FIG. 5 is a right side elevation view of the skin care device shown in FIG. 1;

FIG. 6 is a top plan view of the skin care device shown in FIG. 1; and,

FIG. 7 is a bottom plan view of the skin care device shown in FIG. 1.

In the drawings, the broken lines are for the purpose of illustrating environment only and form no part of the claimed design.

1 Claim, 7 Drawing Sheets



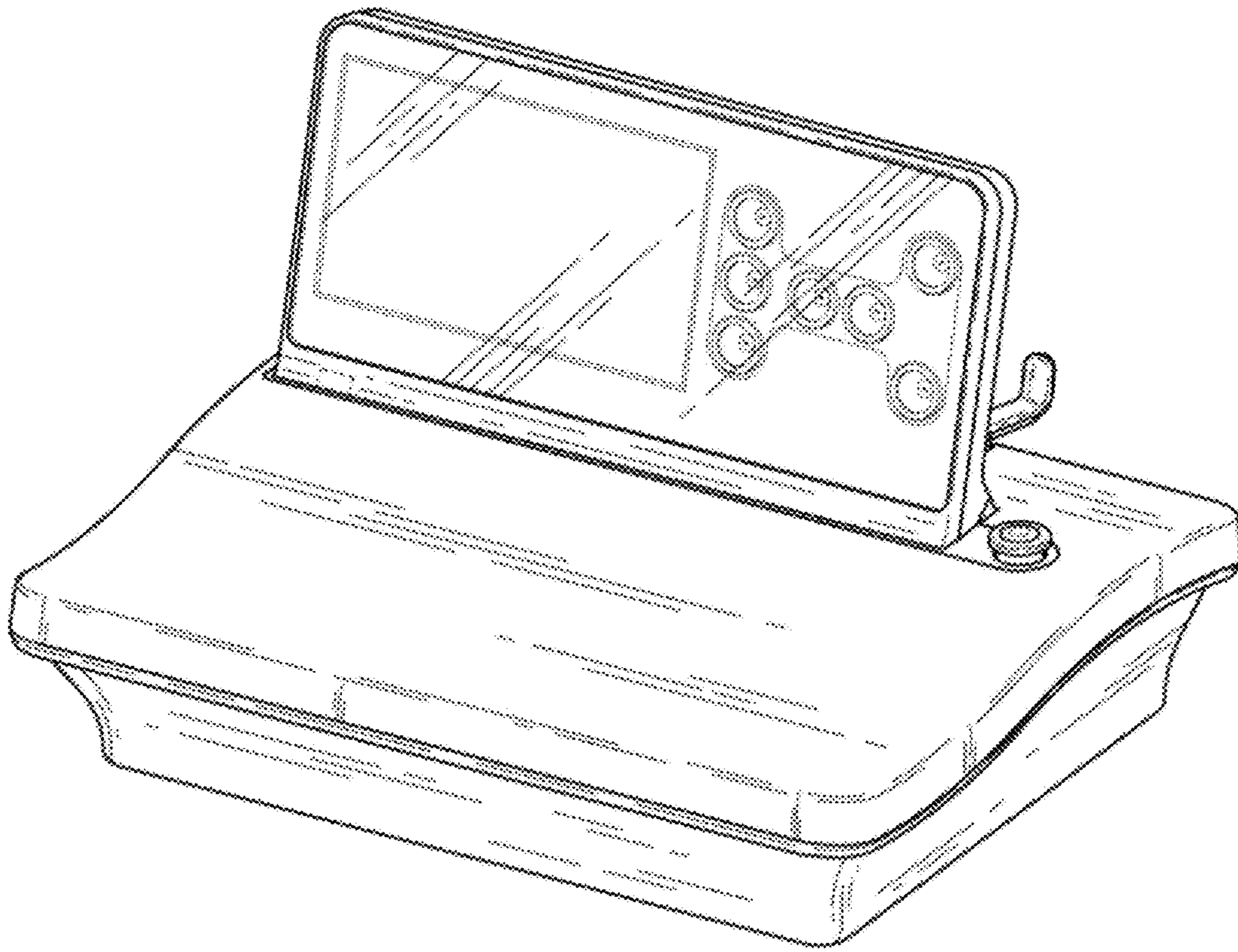


FIGURE 1

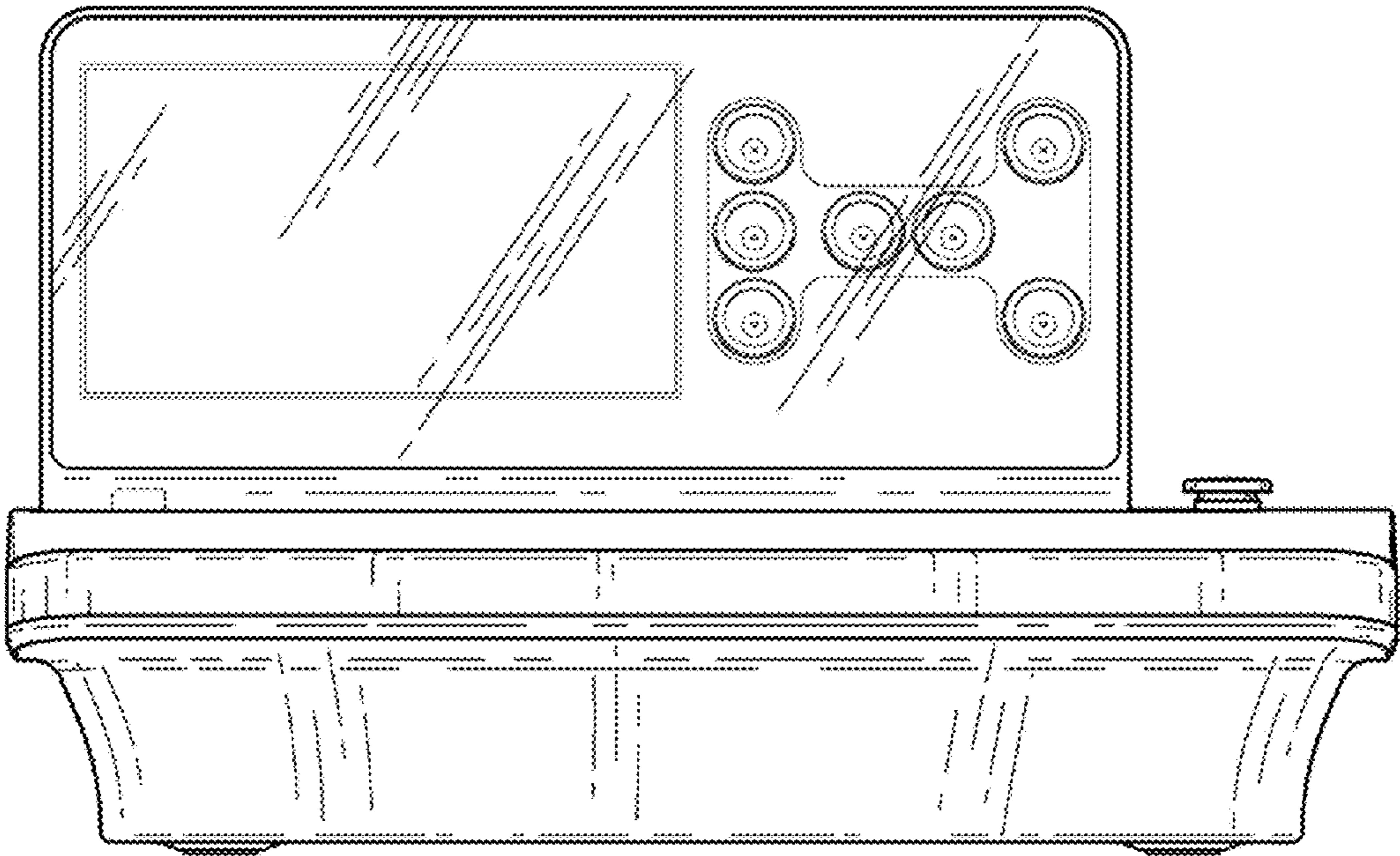


FIGURE 2

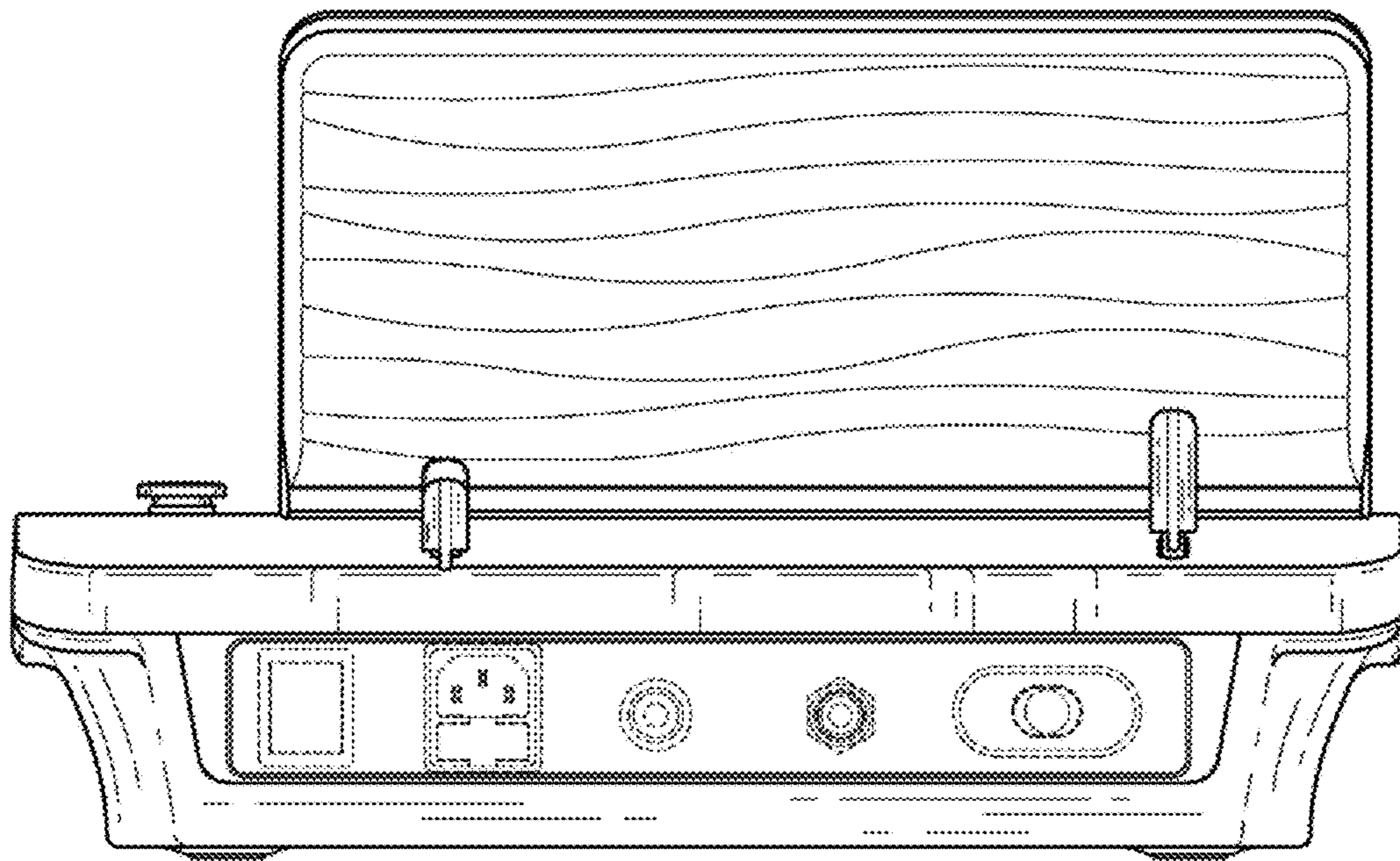


FIGURE 3

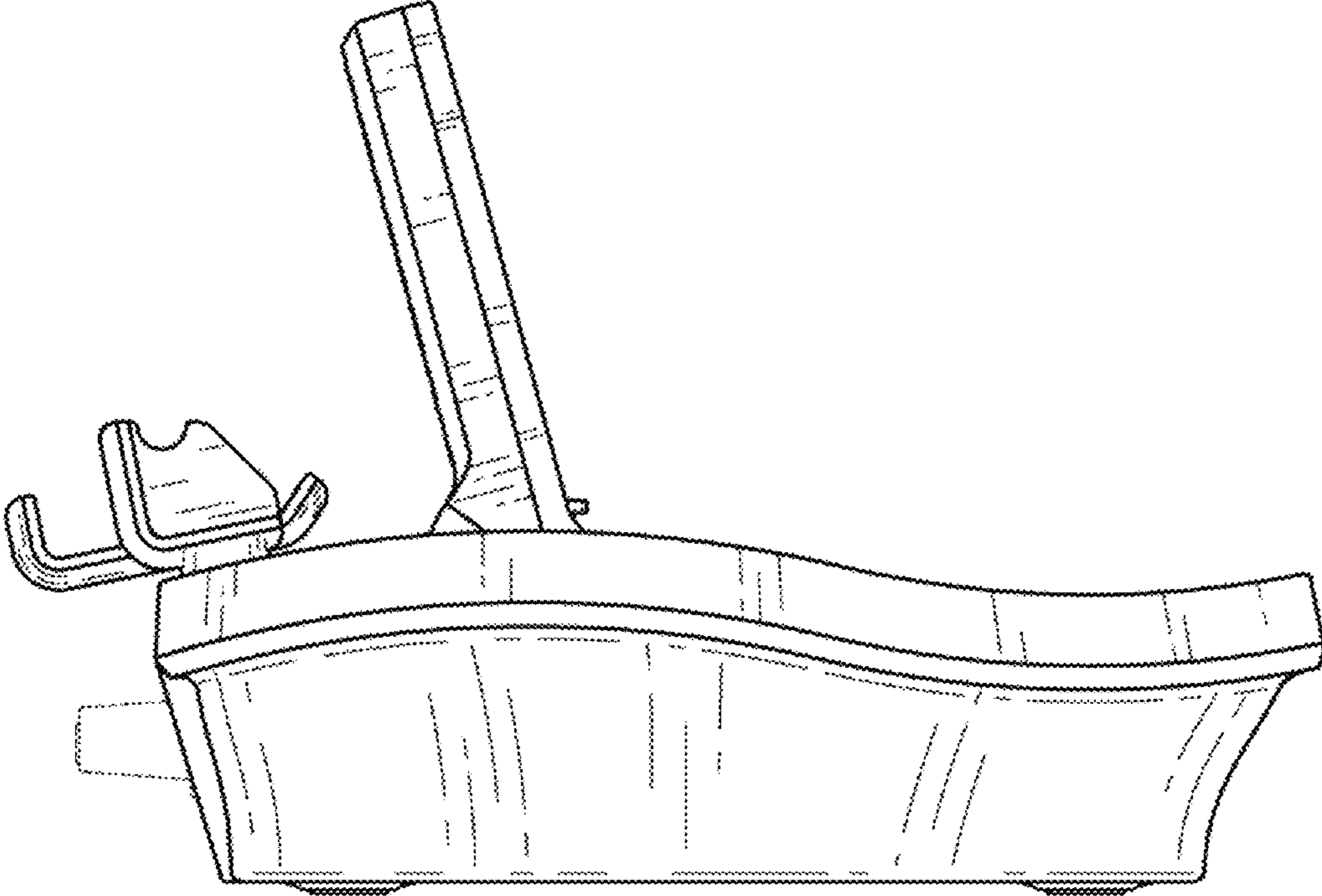


FIGURE 4

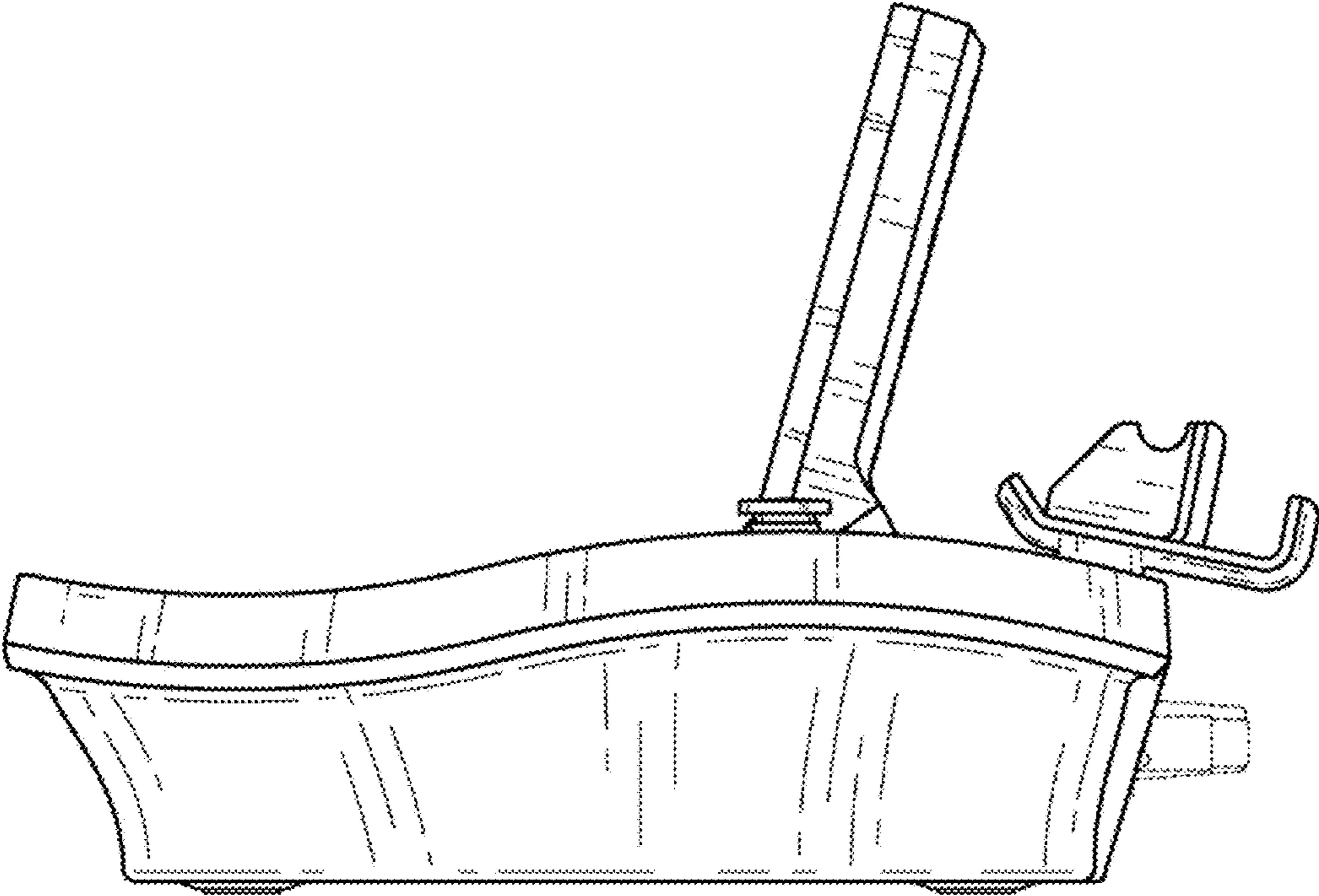


FIGURE 5

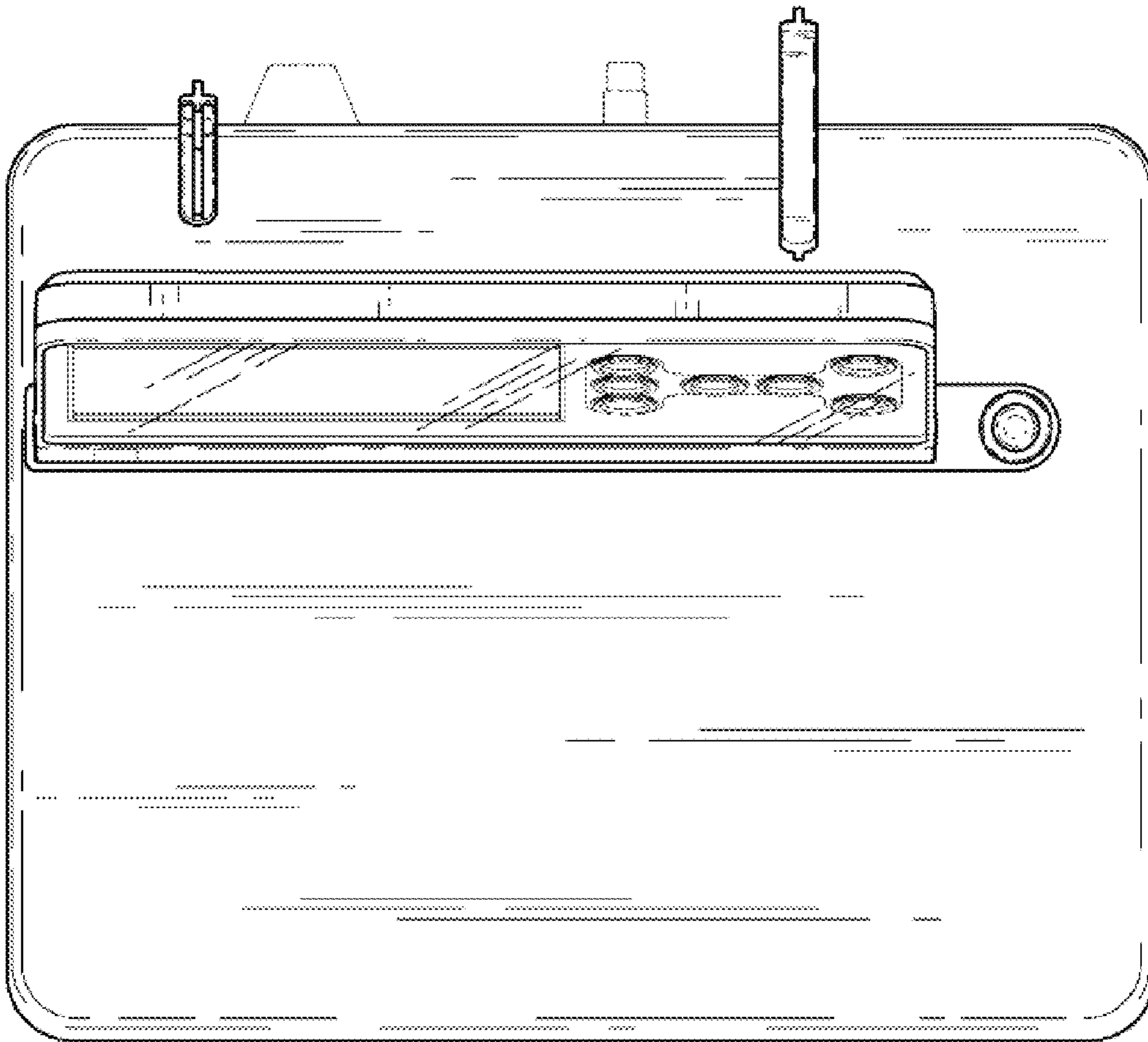


FIGURE 6

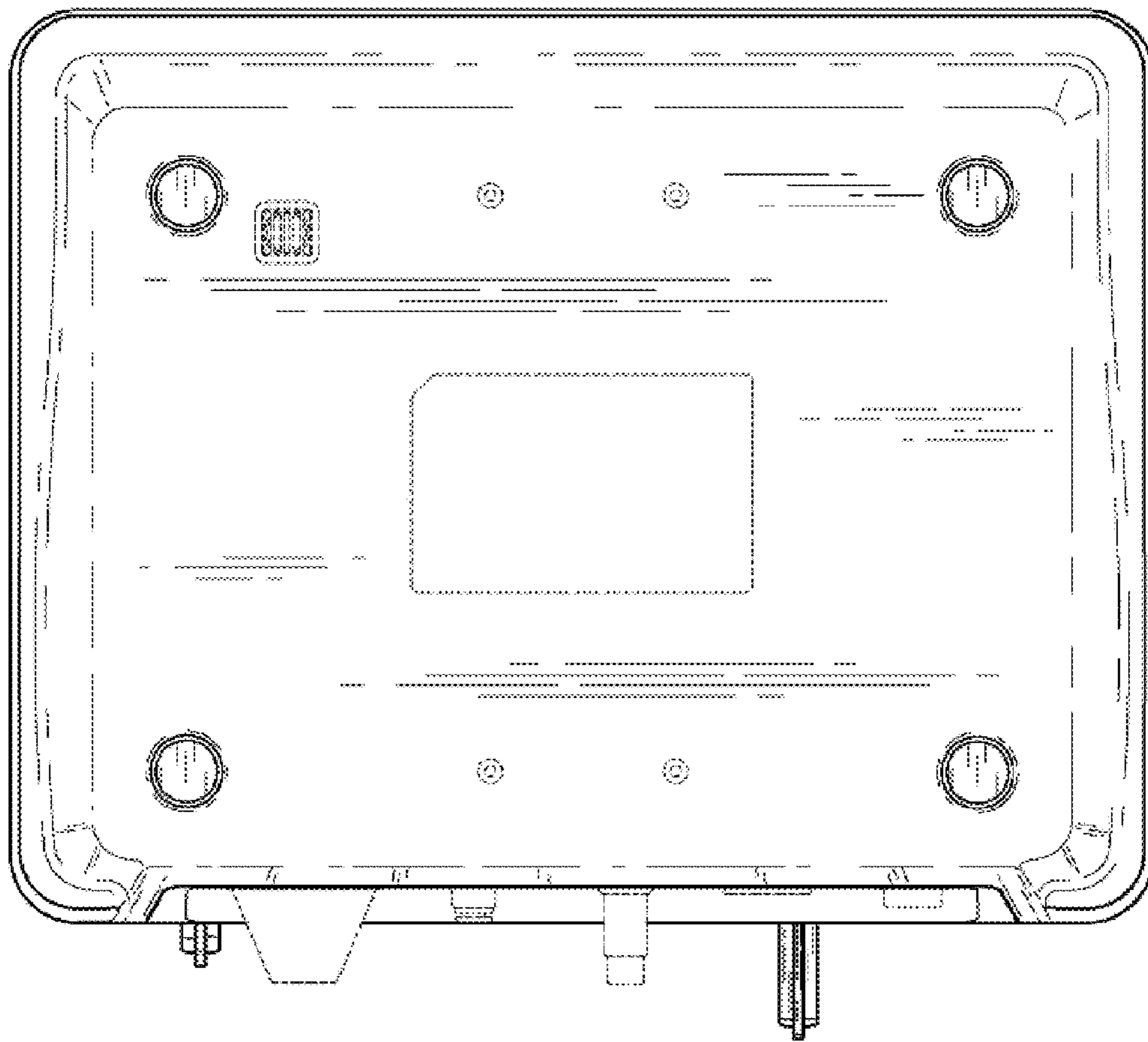


FIGURE 7