



US00D736390S

(12) **United States Design Patent**
Kim

(10) **Patent No.:** **US D736,390 S**

(45) **Date of Patent:** **** Aug. 11, 2015**

(54) **PATIENT TABLE**

(71) Applicant: **Samsung Electronics Co., Ltd.**,
Suwon-Si, Gyeonggi-Do (KR)

(72) Inventor: **Yun-Su Kim**, Seoul (KR)

(73) Assignee: **Samsung Electronics Co., Ltd.**,
Gyeonggi-do (KR)

(**) Term: **14 Years**

(21) Appl. No.: **29/482,722**

(22) Filed: **Feb. 21, 2014**

(30) **Foreign Application Priority Data**

Aug. 28, 2013 (KR) 30-2013-0044202

(51) **LOC (10) Cl.** **24-01**

(52) **U.S. Cl.**
USPC **D24/183**

(58) **Field of Classification Search**
USPC D24/183-184, 200, 158-159;
D6/382-383, 392; 5/600-619;
297/330, 423.19, 68
See application file for complete search history.

(56) **References Cited**

U.S. PATENT DOCUMENTS

D221,910 S * 9/1971 Brendgord D24/183
3,868,103 A * 2/1975 Pageot et al. 5/614
D249,359 S * 9/1978 Stott et al. D24/183
D260,172 S * 8/1981 Kyle D24/183
D270,182 S * 8/1983 Wagner D24/159
4,508,387 A * 4/1985 Gilbert et al. 297/423.19
4,589,642 A * 5/1986 Schnelle et al. 5/608
4,865,303 A * 9/1989 Hall 5/614
D304,614 S * 11/1989 Guttormsen D24/183

D344,802 S * 3/1994 Kuck et al. D24/183
5,564,662 A * 10/1996 Lussi et al. 5/310
5,645,313 A * 7/1997 Best et al. 297/68
D407,819 S * 4/1999 Markoll D24/183
6,038,718 A * 3/2000 Pennington et al. 5/618
D439,670 S * 3/2001 Sommer D24/183
D441,868 S * 5/2001 Rodenas Santiago
et al. D24/183
D453,968 S * 2/2002 Zachrisson D24/183
D462,445 S * 9/2002 Barde et al. D24/183
D527,459 S * 8/2006 Gireesh D24/183
D553,246 S * 10/2007 Banryu D24/183
D630,330 S * 1/2011 Baba D24/159
D681,208 S * 4/2013 Ninomiya et al. D24/159
D701,605 S * 3/2014 Ohmukai D24/183
2004/0148703 A1 * 8/2004 Doering et al. 5/610

* cited by examiner

Primary Examiner — T. Chase Nelson

Assistant Examiner — Mark Cavanna

(74) *Attorney, Agent, or Firm* — Harness, Dickey & Pierce

(57) **CLAIM**

I claim, the ornamental design for a patient table, as shown and described.

DESCRIPTION

FIG. 1 is the front perspective view of a patient table showing my new design;

FIG. 2 is a front elevation view thereof;

FIG. 3 is a rear elevation view thereof;

FIG. 4 is a side elevation view thereof;

FIG. 5 is another side elevation view thereof;

FIG. 6 is a top plan view thereof; and,

FIG. 7 is a bottom plan view thereof.

The broken lines are included for the purpose of illustrating unclaimed portions of the patient table and form no part of the claimed design.

1 Claim, 7 Drawing Sheets

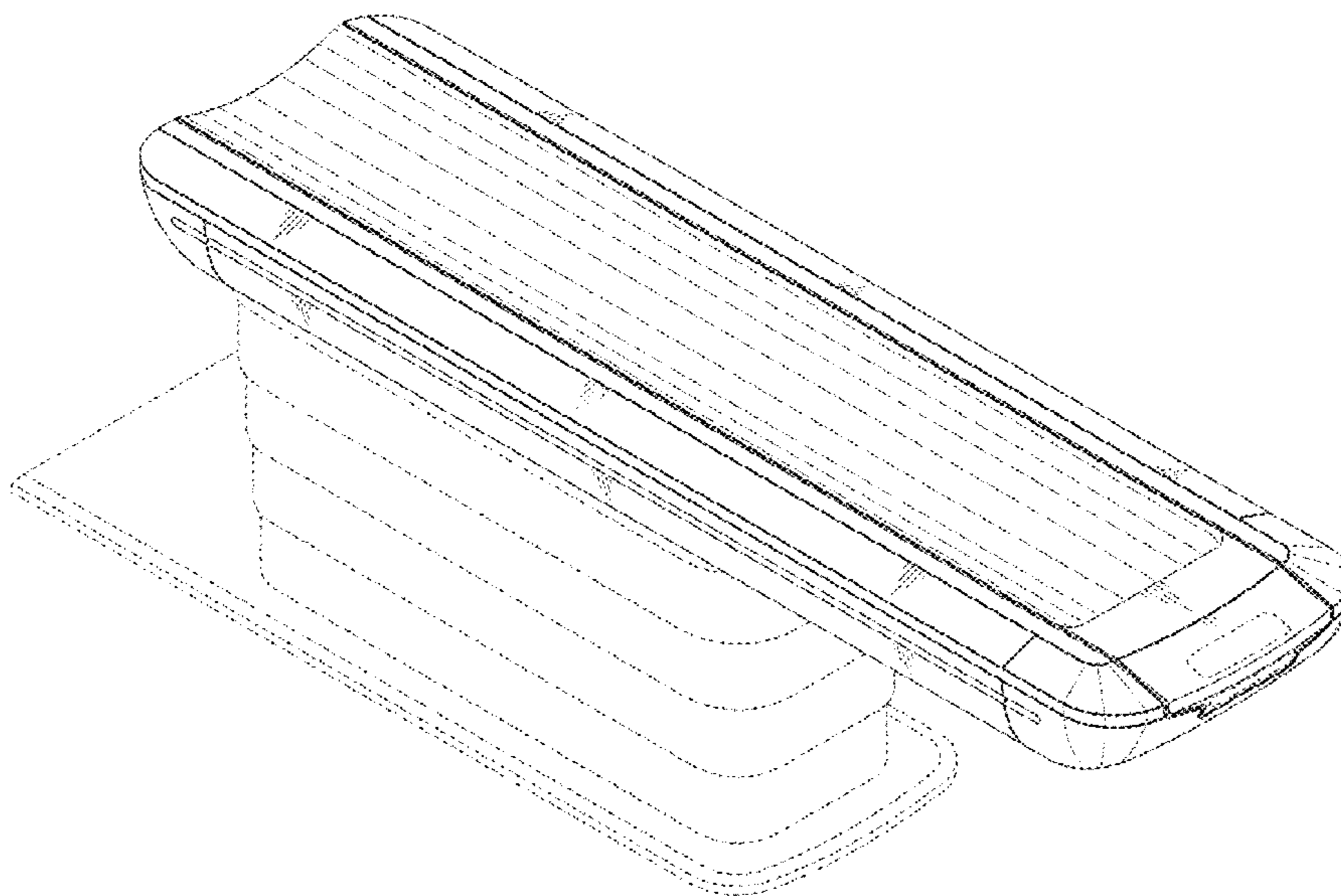


FIG. 1

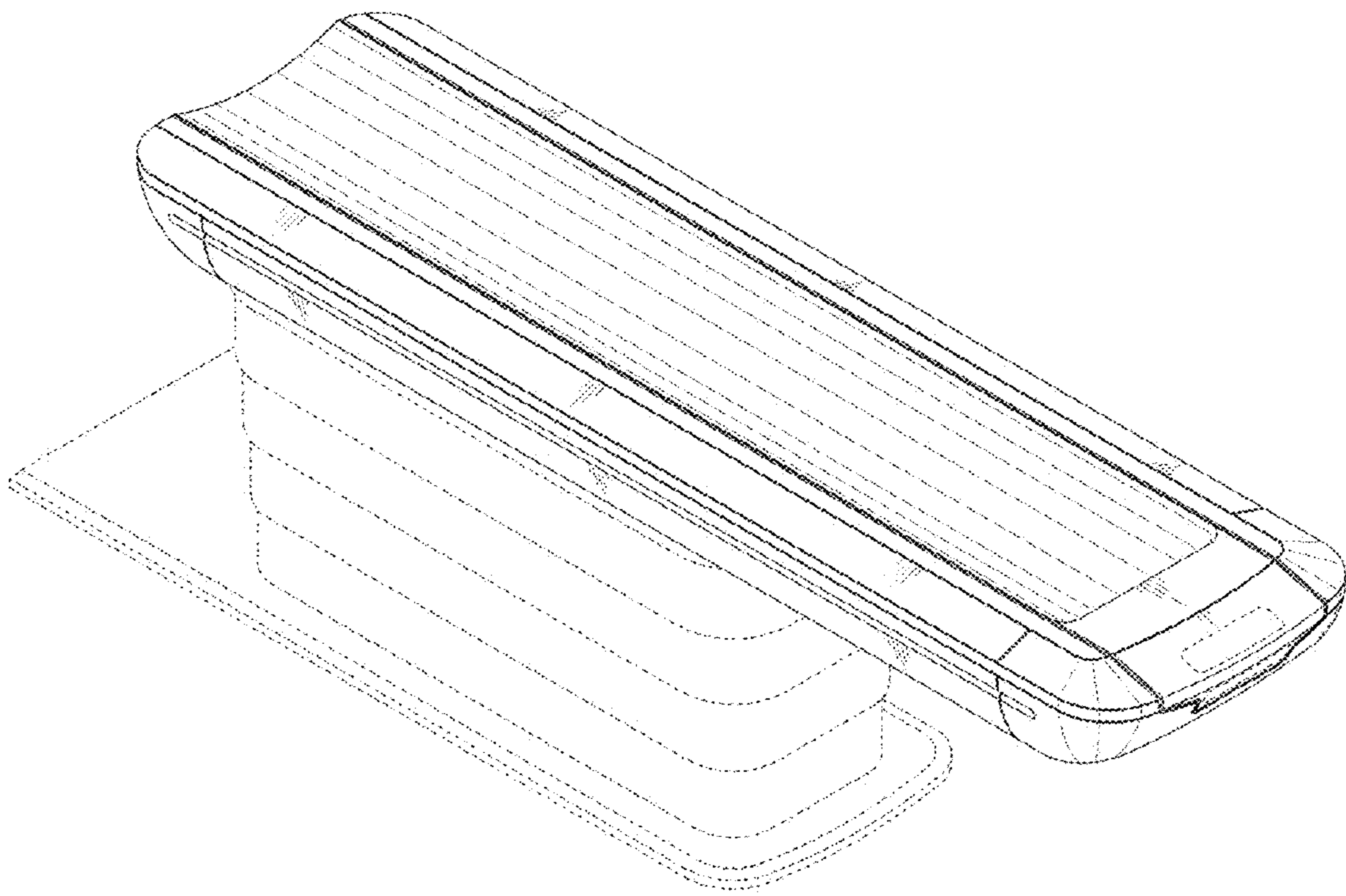


FIG.2

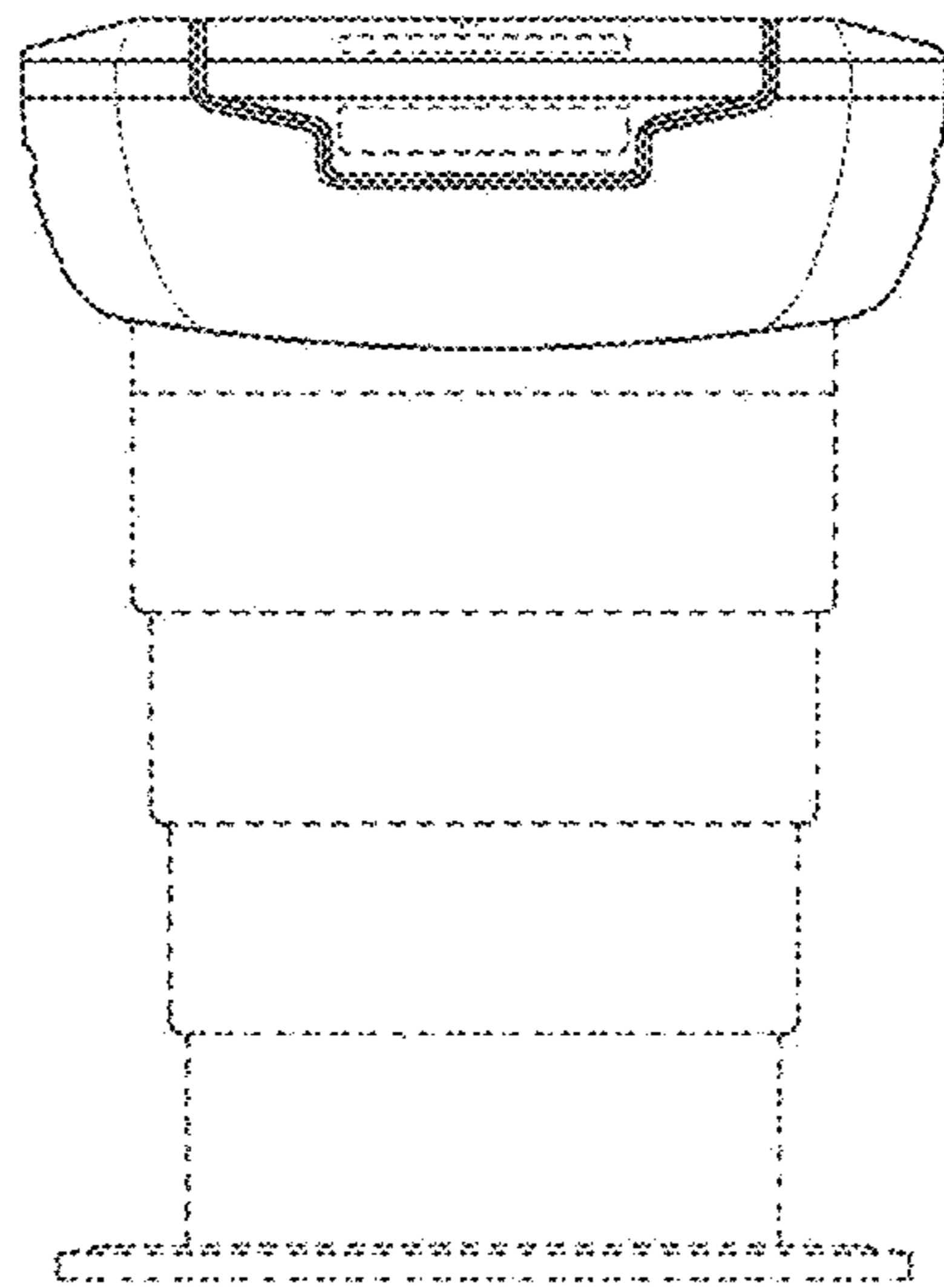


FIG.3

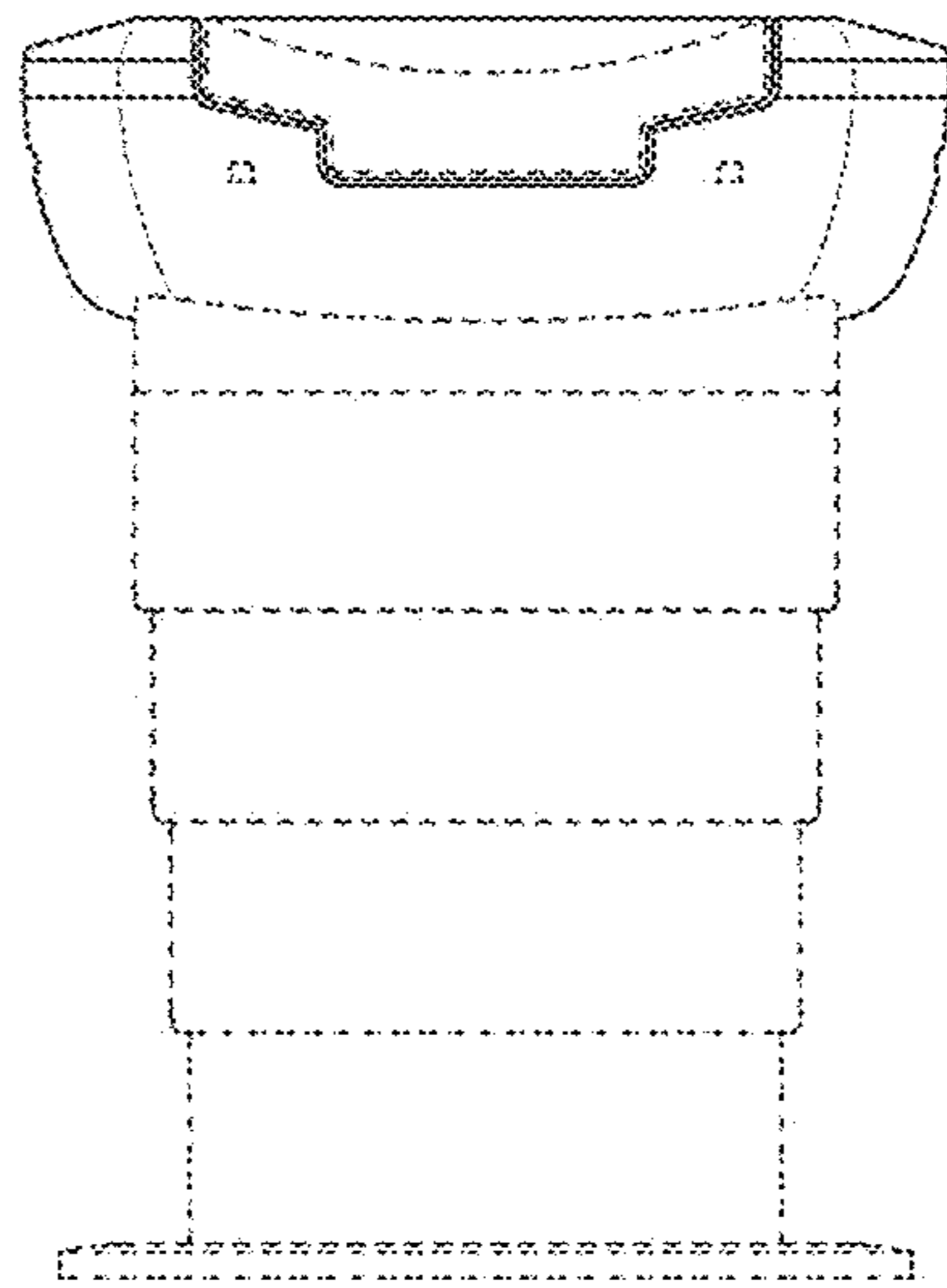


FIG.4

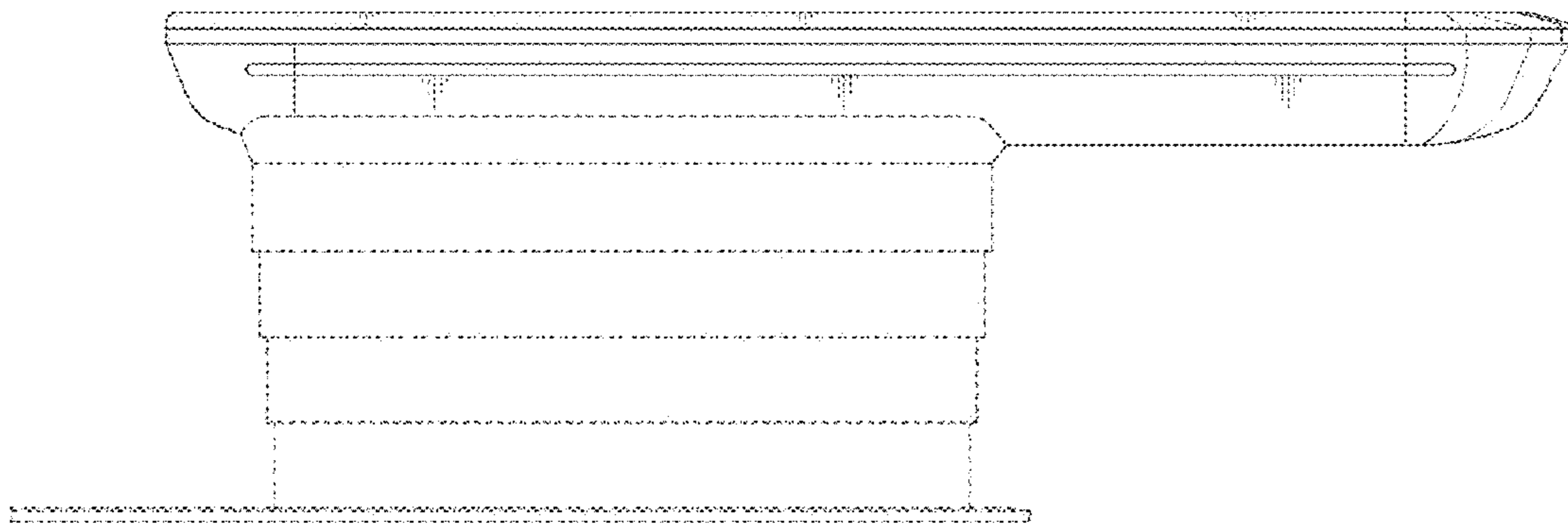


FIG. 5

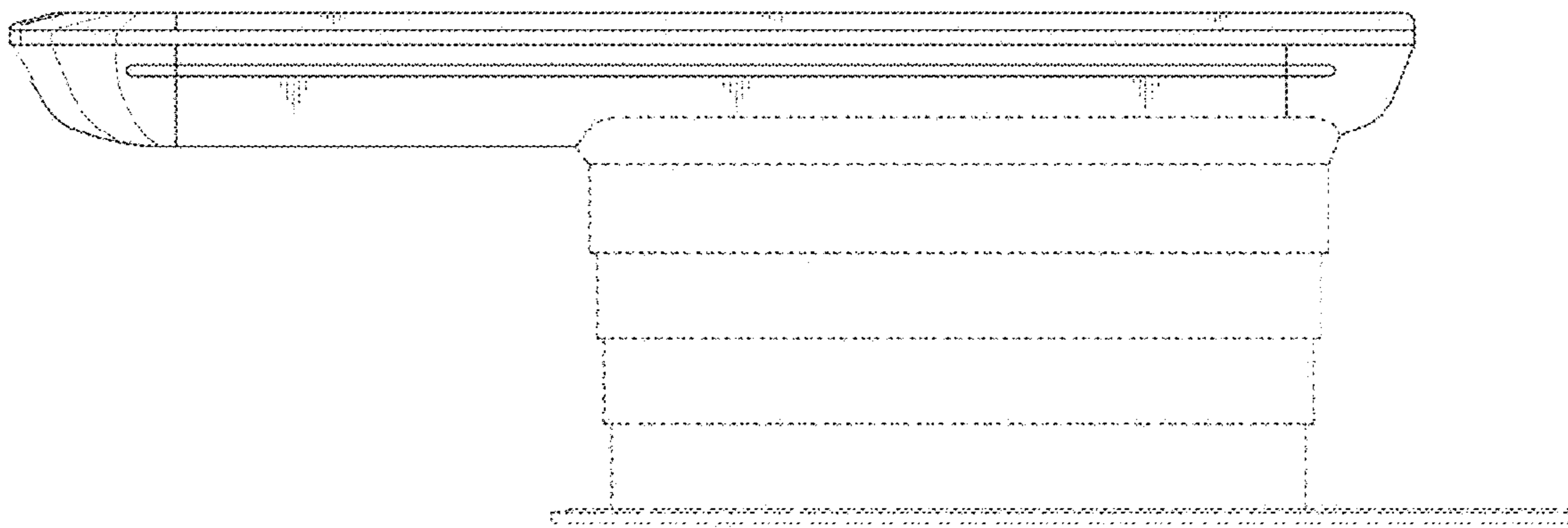


FIG. 6

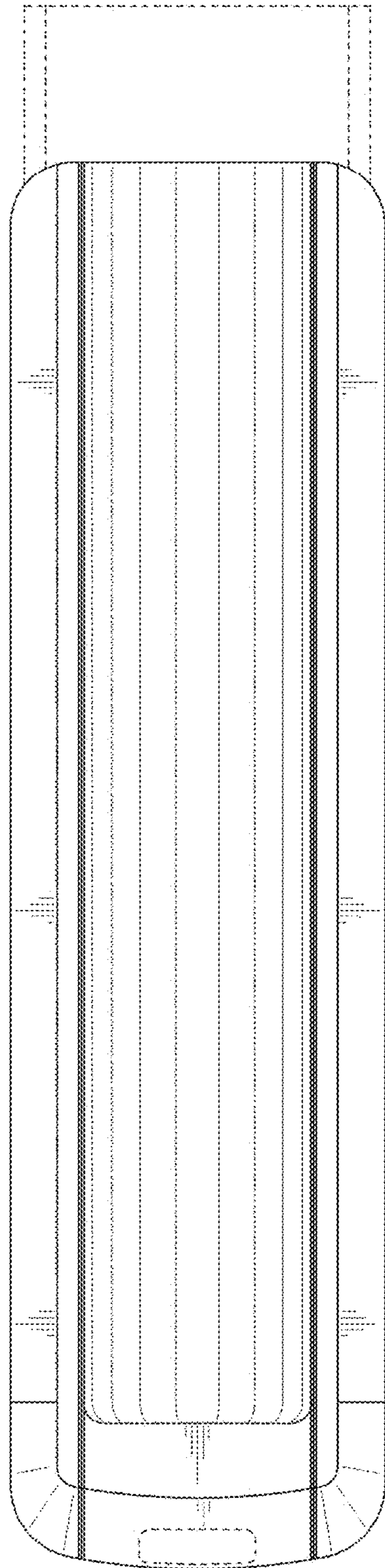


FIG. 7

