



US00D736389S

(12) **United States Design Patent**
Baaske et al.

(10) **Patent No.:** **US D736,389 S**

(45) **Date of Patent:** **** Aug. 11, 2015**

(54) **MILLING BLANK**

(71) Applicant: **Ivoclar Vivadent AG**, Schaan (LI)

(72) Inventors: **Thomas Baaske**, Grabs (CH);
Hans-Peter Foser, Balzers (LI);
Markus Heinz, Naturns (IT); **Christian Frei**, Naturns (IT); **Wolfgang Ruess**,
Lindau/Oberriet (DE)

(73) Assignee: **Ivoclar Vivadent AG**, Schaan (LI)

(**) Term: **14 Years**

(21) Appl. No.: **29/472,519**

(22) Filed: **Nov. 13, 2013**

(30) **Foreign Application Priority Data**

May 14, 2013 (WO) 738 303 201

(51) **LOC (10) Cl.** **24-02**

(52) **U.S. Cl.**
USPC **D24/181**

(58) **Field of Classification Search**
USPC D24/181, 152, 155-156, 176; 264/16,
264/19; 433/34, 39, 202.1, 203.1, 201.1,
433/213, 215, 229
CPC A61K 6/024; A61C 13/0022; A61C
13/00004; A61C 13/0003; A61C 13/083;
A61C 13/081

See application file for complete search history.

(56) **References Cited**

U.S. PATENT DOCUMENTS

| | | | | | |
|--------------|------|---------|---------------------|-------|-----------|
| 1,976,153 | A * | 10/1934 | Voigt | | D24/181 |
| 5,342,696 | A * | 8/1994 | Eidenbenz et al. | | 433/49 |
| 5,939,211 | A * | 8/1999 | Mormann | | 264/16 |
| 6,482,284 | B1 * | 11/2002 | Reidt et al. | | 264/16 |
| 6,499,998 | B2 * | 12/2002 | Kerschbaumer et al. | .. | 433/203.1 |
| 6,627,327 | B2 * | 9/2003 | Reidt et al. | | 433/201.1 |
| 7,789,601 | B2 * | 9/2010 | Prince et al. | | 433/49 |
| 7,985,119 | B2 * | 7/2011 | Basler et al. | | 433/202.1 |
| 8,425,812 | B2 * | 4/2013 | Wagner et al. | | 264/16 |
| 8,940,402 | B2 * | 1/2015 | Giordano | | 433/202.1 |
| 2003/0031984 | A1 * | 2/2003 | Rusin et al. | | 433/215 |

* cited by examiner

Primary Examiner — Wan Laymon

(74) *Attorney, Agent, or Firm* — Ann M. Knab; Thad McMurray

(57) **CLAIM**

The ornamental design for a milling blank, as shown and described.

DESCRIPTION

FIG. 1 is a perspective views of a milling blank showing our new design;
FIG. 2 is a bottom view thereof;
FIG. 3 is a top view thereof;
FIG. 4 is a rear view thereof;
FIG. 5 is a front view thereof;
FIG. 6 is a left side view thereof; and,
FIG. 7 is a right side view thereof.

1 Claim, 4 Drawing Sheets

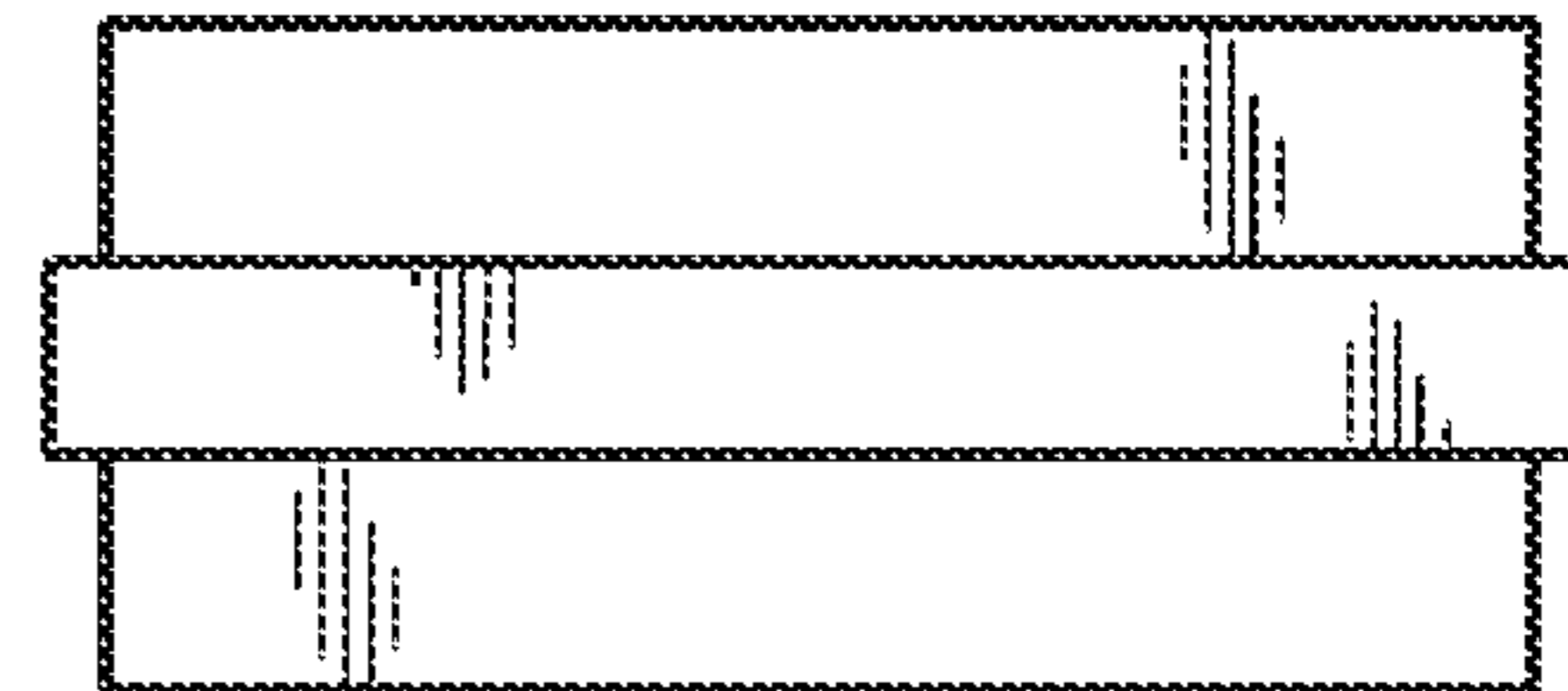
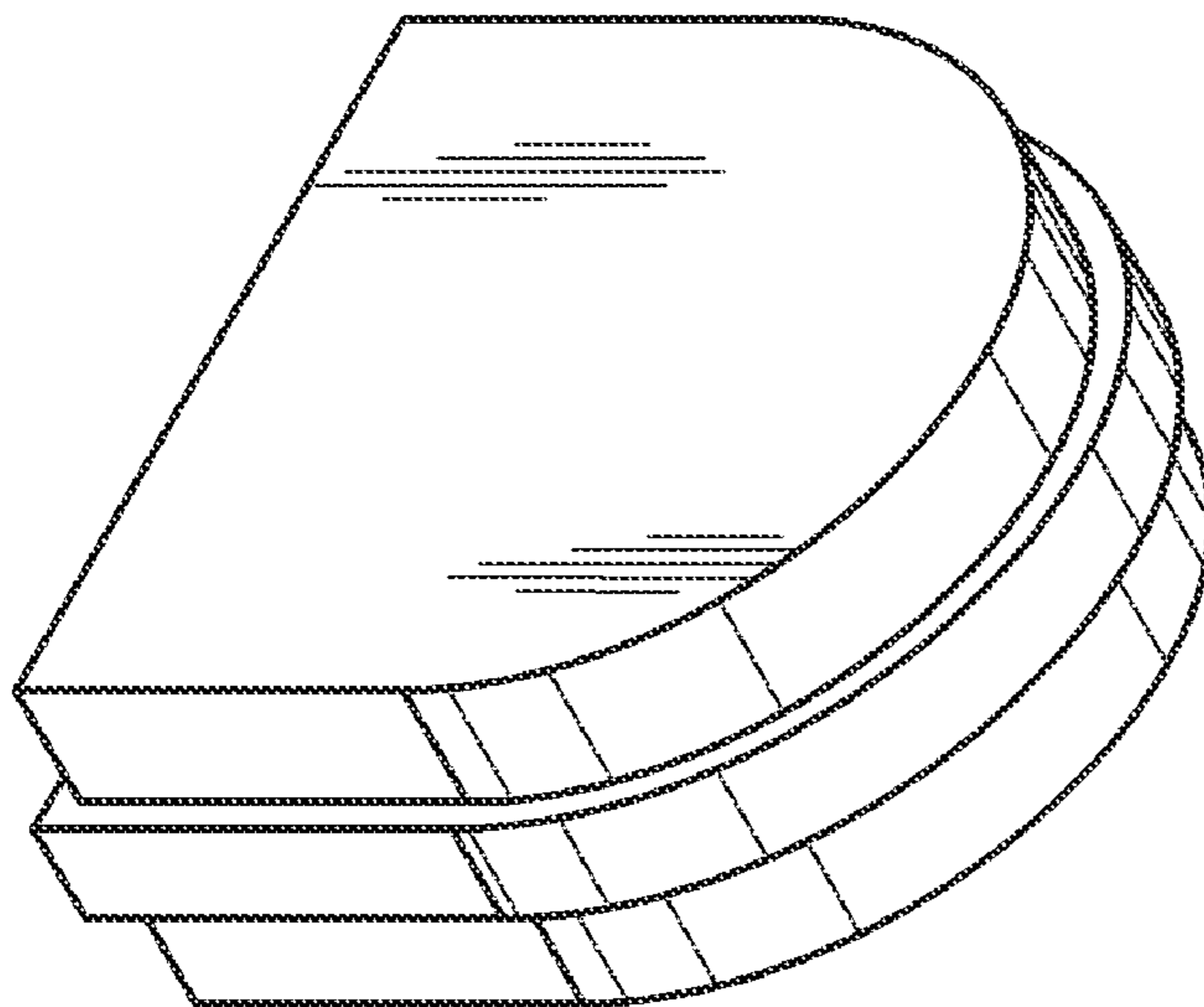


Fig. 1

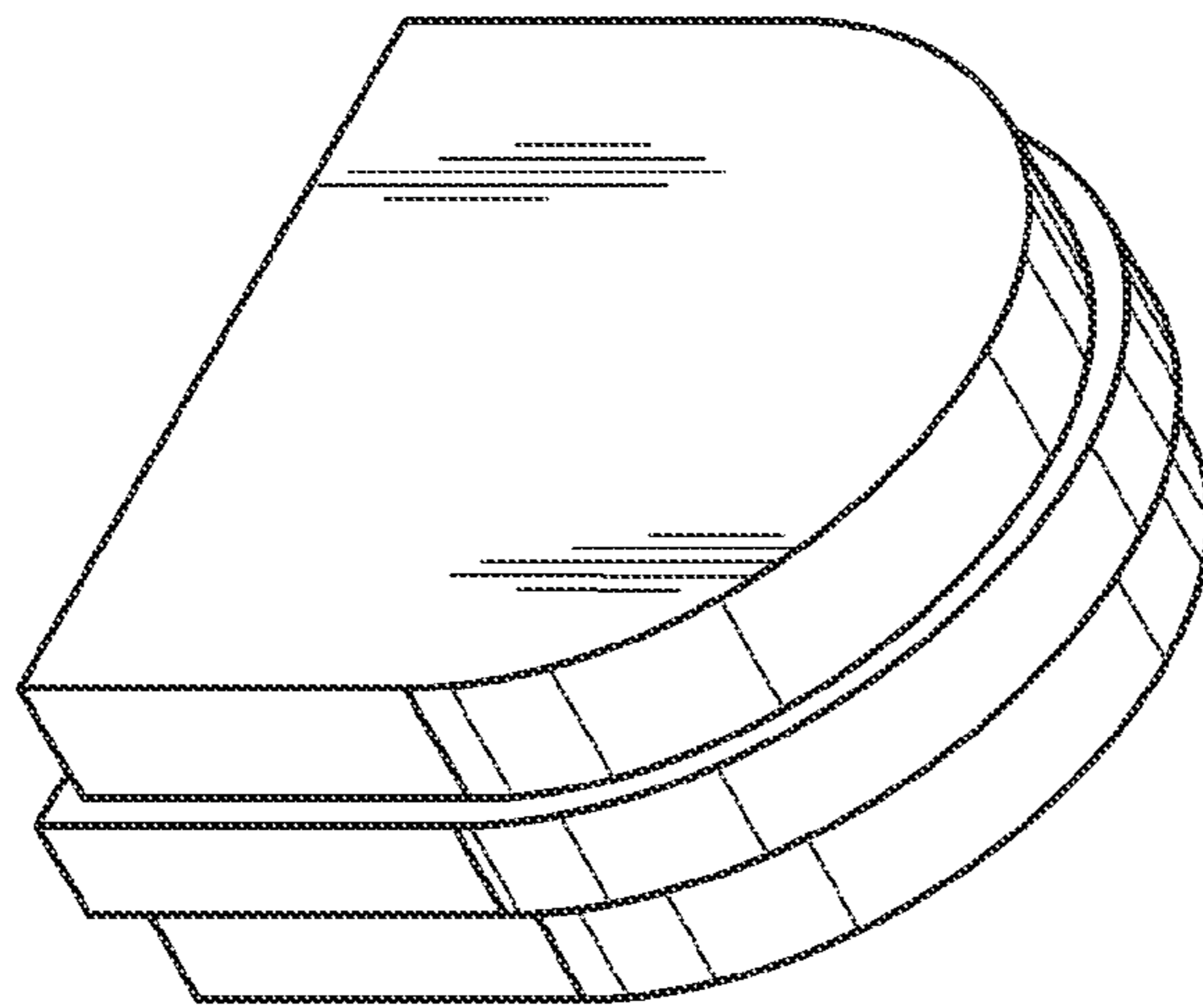


Fig. 2

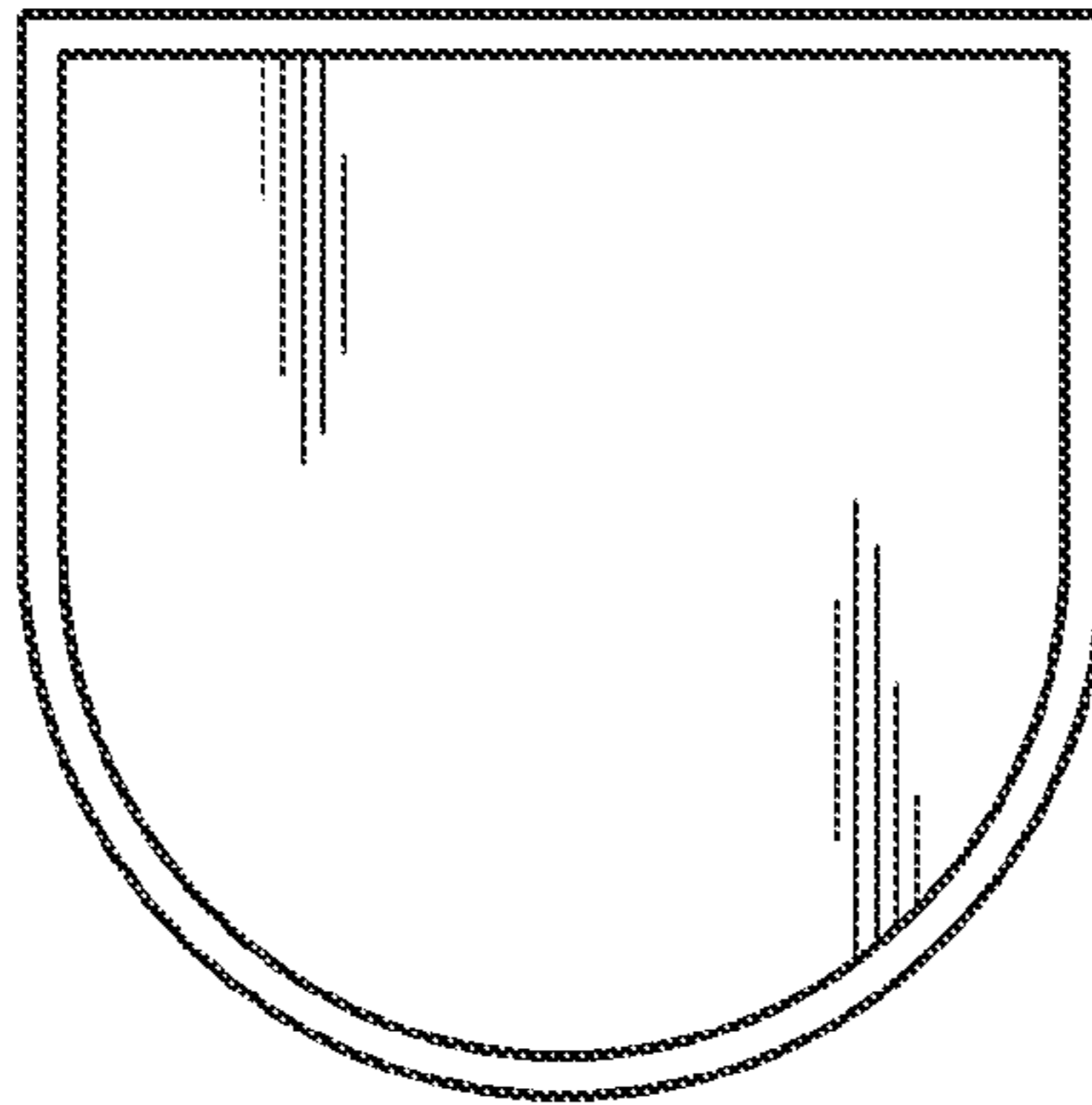


Fig. 3

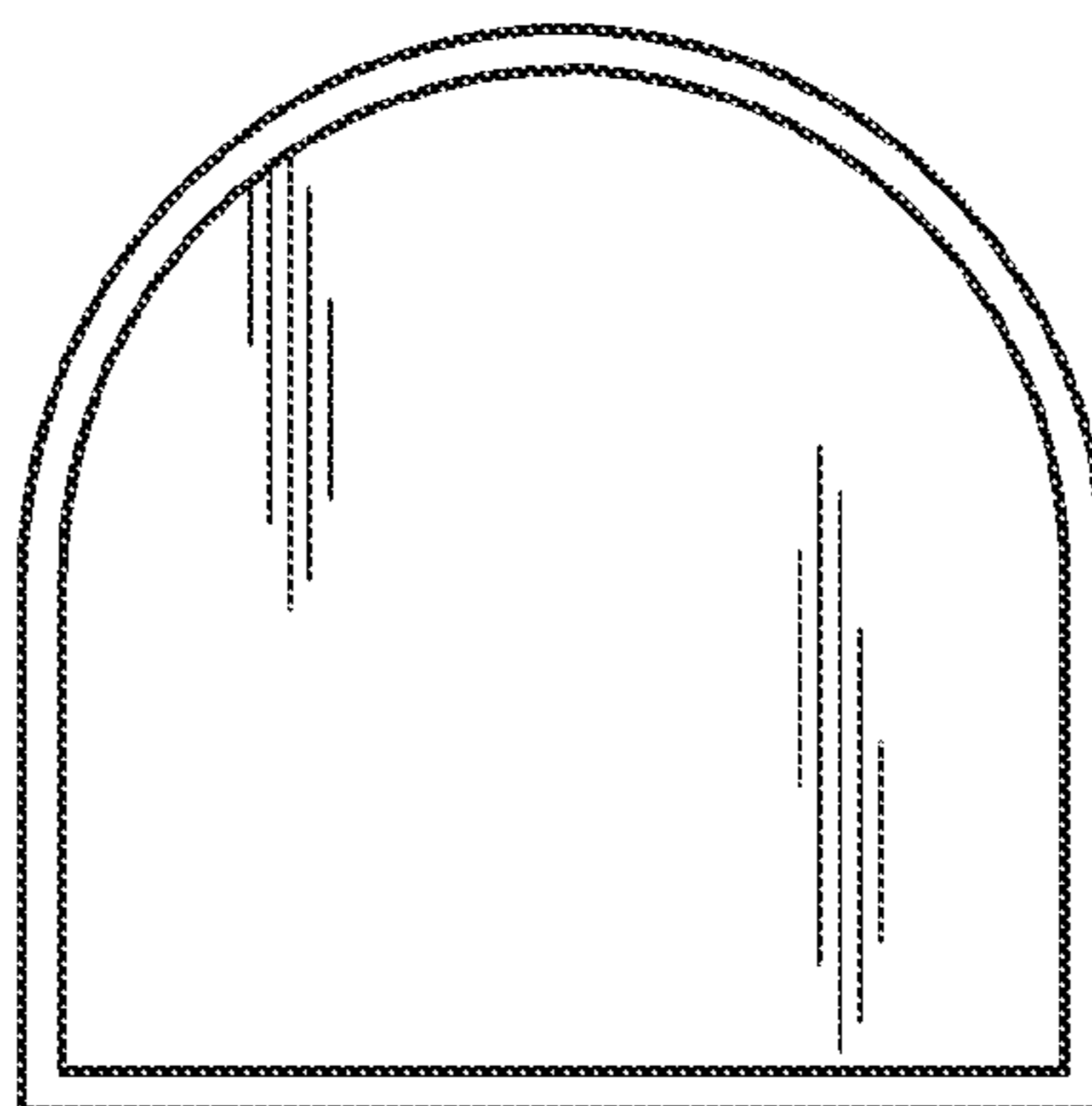


Fig. 4

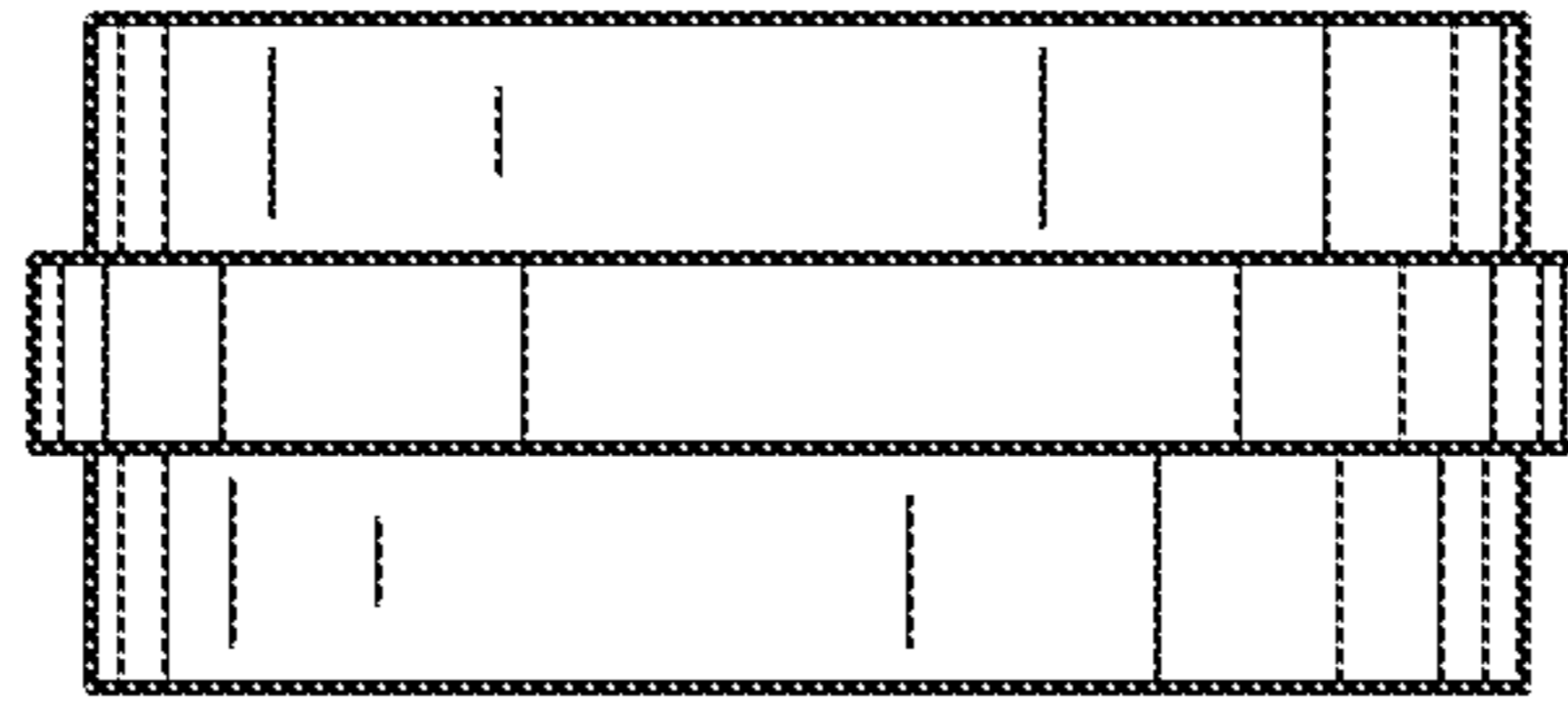


Fig. 5

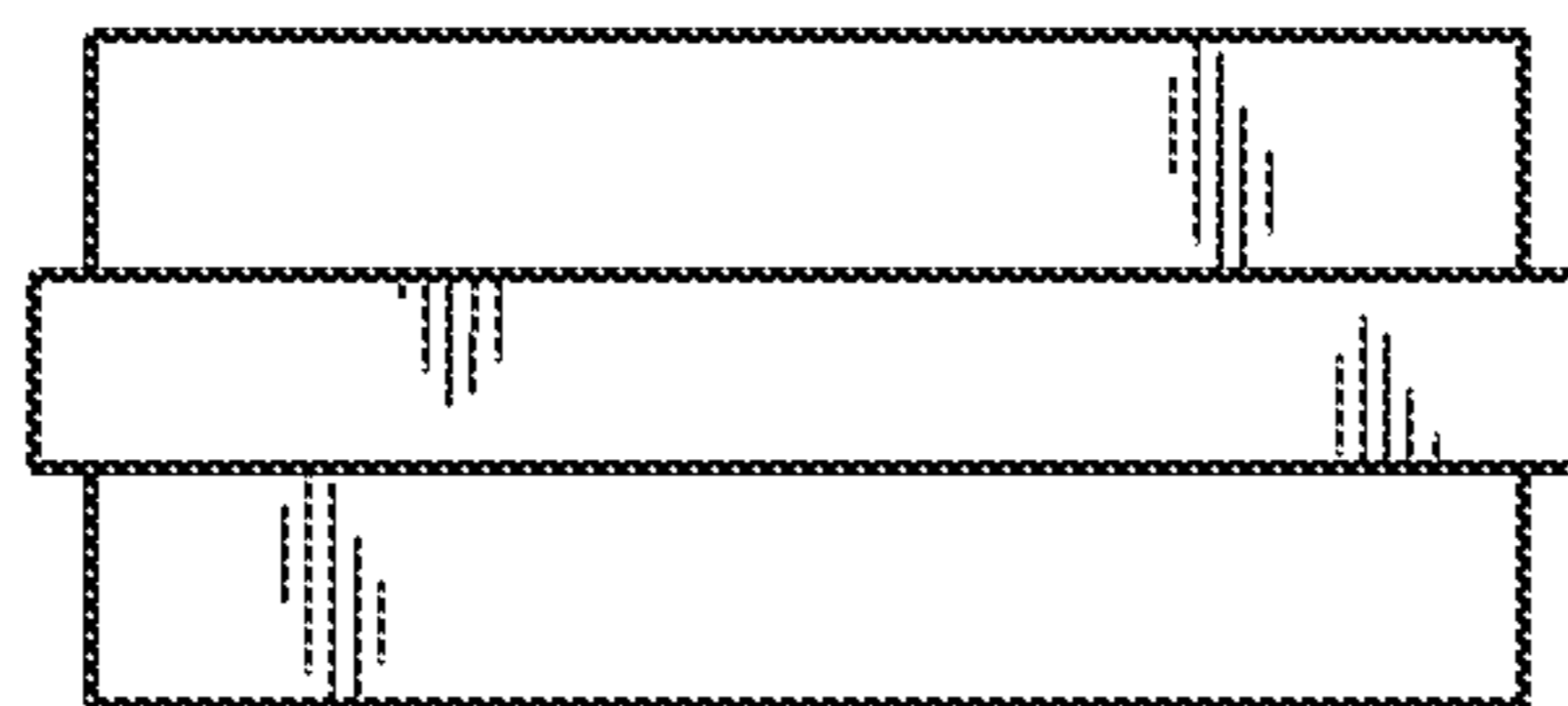


Fig. 6

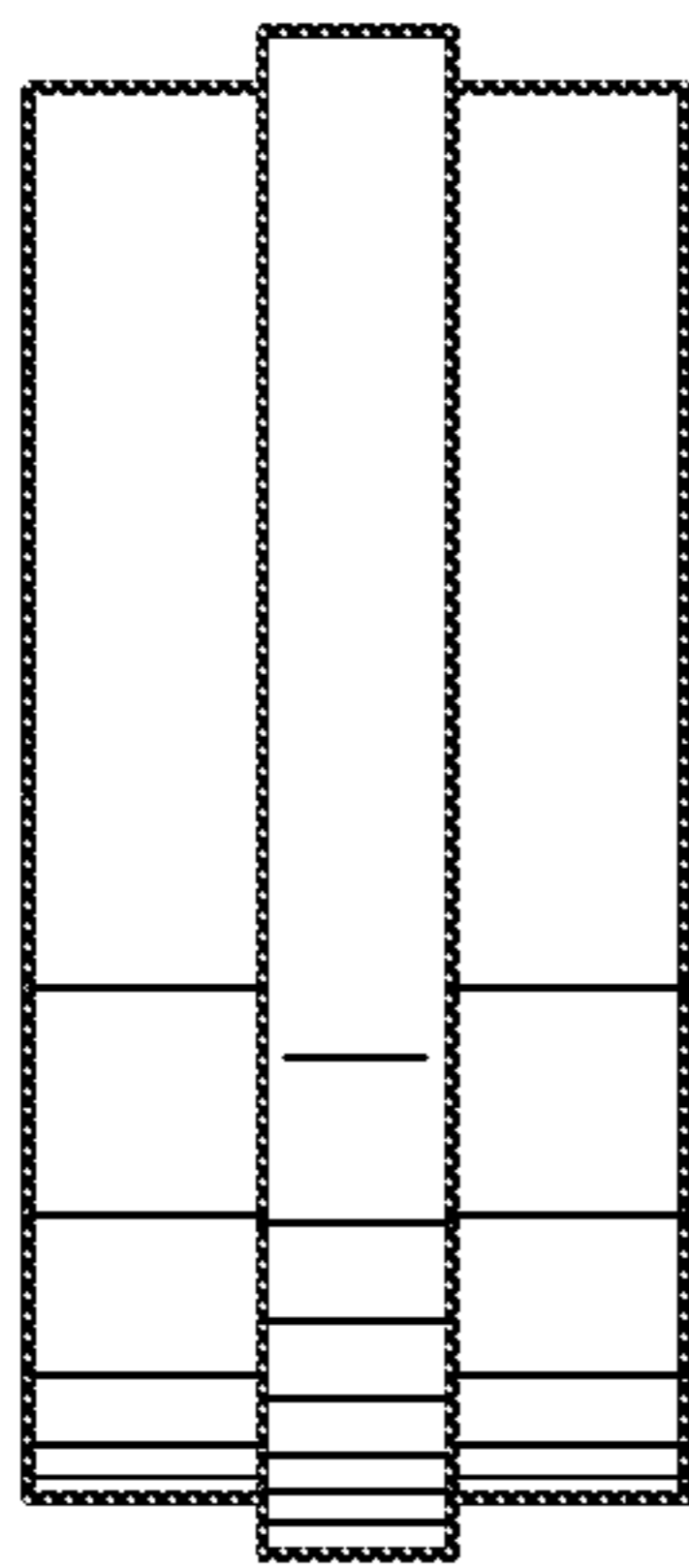


Fig. 7

