



US00D736387S

(12) **United States Design Patent**
Dörre et al.

(10) **Patent No.:** **US D736,387 S**
(45) **Date of Patent:** **** Aug. 11, 2015**

(54) **X-RAY APPARATUS**

(71) Applicants: **Helmut Dörre**, Nürnberg (DE); **Markus Roßmeier**, Bamberg (DE)

(72) Inventors: **Helmut Dörre**, Nürnberg (DE); **Markus Roßmeier**, Bamberg (DE)

(73) Assignee: **SIEMENS AKTIENGESELLSCHAFT**, München (DE)

(**) Term: **14 Years**

(21) Appl. No.: **29/452,984**

(22) Filed: **Apr. 24, 2013**

(30) **Foreign Application Priority Data**

Oct. 31, 2012 (EM) 001351167

(51) **LOC (10) Cl.** **24-01**

(52) **U.S. Cl.**
USPC **D24/158**

(58) **Field of Classification Search**
USPC D24/158-161, 185, 186; 248/282.1;
378/4, 21-27, 102, 196-198
CPC ... A61B 6/4441; A61B 6/4411; A61B 6/4405
See application file for complete search history.

(56) **References Cited**

U.S. PATENT DOCUMENTS

5,095,501	A *	3/1992	Kobayashi	378/196
D366,701	S *	1/1996	Mazess et al.	D24/159
D378,133	S *	2/1997	Murakami et al.	D24/158
6,382,833	B2 *	5/2002	Leandersson et al.	378/197
D553,748	S *	10/2007	Ogiwara	D24/158
D558,877	S *	1/2008	Ogiwara	D24/158
D600,348	S *	9/2009	Dorre et al.	D24/158
D658,762	S *	5/2012	Yokoyama et al.	D24/158

(Continued)

Primary Examiner — Anhdao Doan

(57) **CLAIM**

We claim the ornamental design for an x-ray apparatus, as shown and described.

DESCRIPTION

The patent or application file contains at least one drawing executed in color. Copies of this patent or patent application publication with color drawing(s) will be provided by the Office upon request and payment of the necessary fee.

FIG. 1 is a front view of an x-ray apparatus according to a first embodiment.

FIG. 2 is a rear view of the x-ray apparatus according to the first embodiment.

FIG. 3 is a top view of the x-ray apparatus according to the first embodiment.

FIG. 4 is bottom view of the x-ray apparatus according to the first embodiment.

FIG. 5 is a view from the right side of the x-ray apparatus according to the first embodiment.

FIG. 6 is a view from the left side of the x-ray apparatus according to the first embodiment.

FIG. 7 is a perspective view of the x-ray apparatus according to the first embodiment.

FIG. 8 is a front view of an x-ray apparatus according to a second embodiment.

FIG. 9 is a rear view of the x-ray apparatus according to the second embodiment.

FIG. 10 is a top view of the x-ray apparatus according to the second embodiment.

FIG. 11 is bottom view of the x-ray apparatus according to the second embodiment.

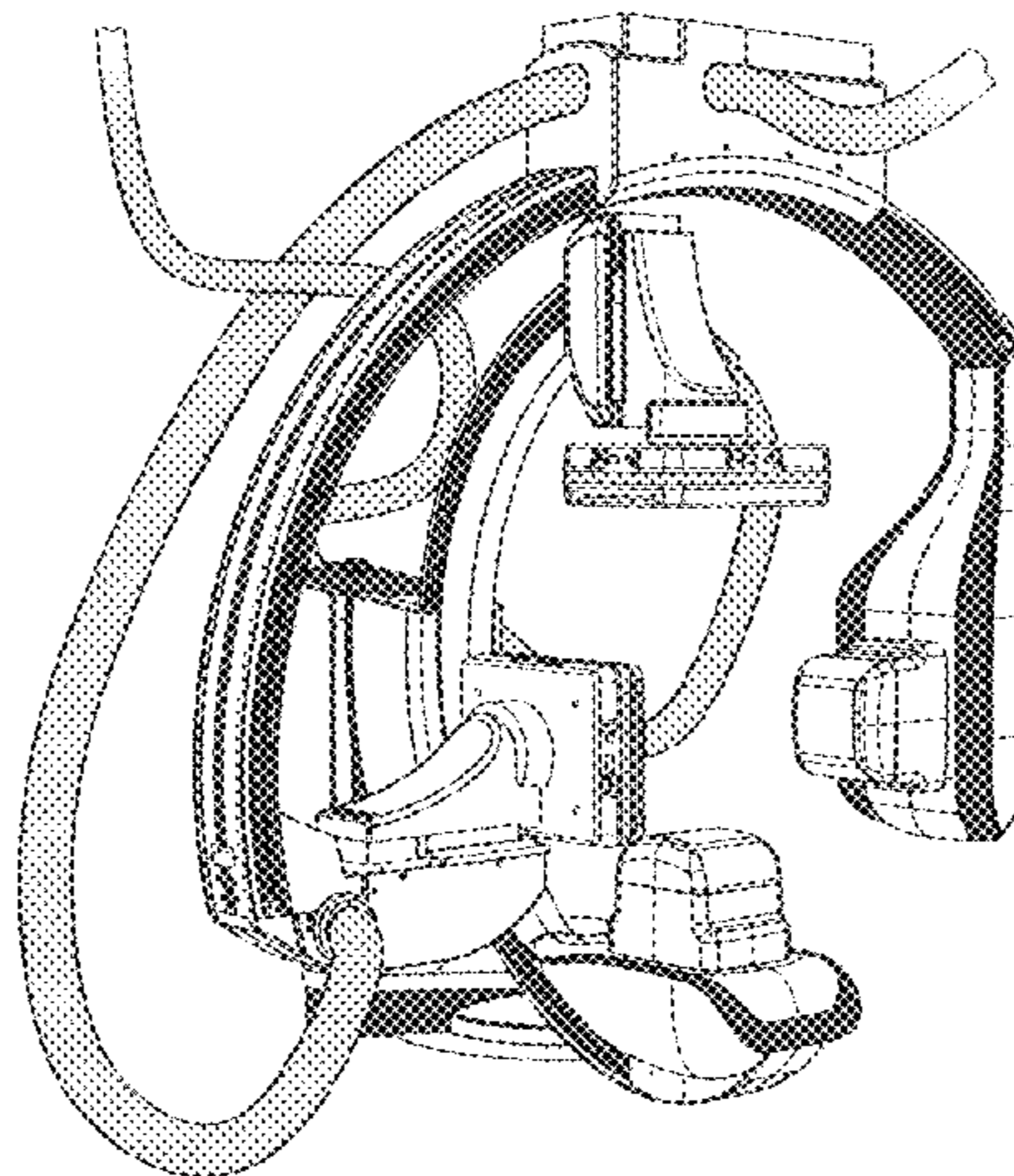
FIG. 12 is a view from the right side of the x-ray apparatus according to the second embodiment.

FIG. 13 is a view from the left side of the x-ray apparatus according to the second embodiment; and,

FIG. 14 is a perspective view of the x-ray apparatus according to the second embodiment.

The portions of the x-ray apparatus shown in broken lines form no part of the claimed design.

1 Claim, 14 Drawing Sheets
(7 of 14 Drawing Sheet(s) Filed in Color)



(56)

References Cited

U.S. PATENT DOCUMENTS

D701,959 S *	4/2014	Johnson	D24/158	
2008/0069309 A1*	3/2008	Dorre	378/197	* cited by examiner
2010/0278410 A1*	11/2010	Ohishi	382/131	
2011/0170668 A1*	7/2011	Ozawa et al.	378/198	
2012/0289821 A1*	11/2012	Graumann et al.	600/424	

FIG 1

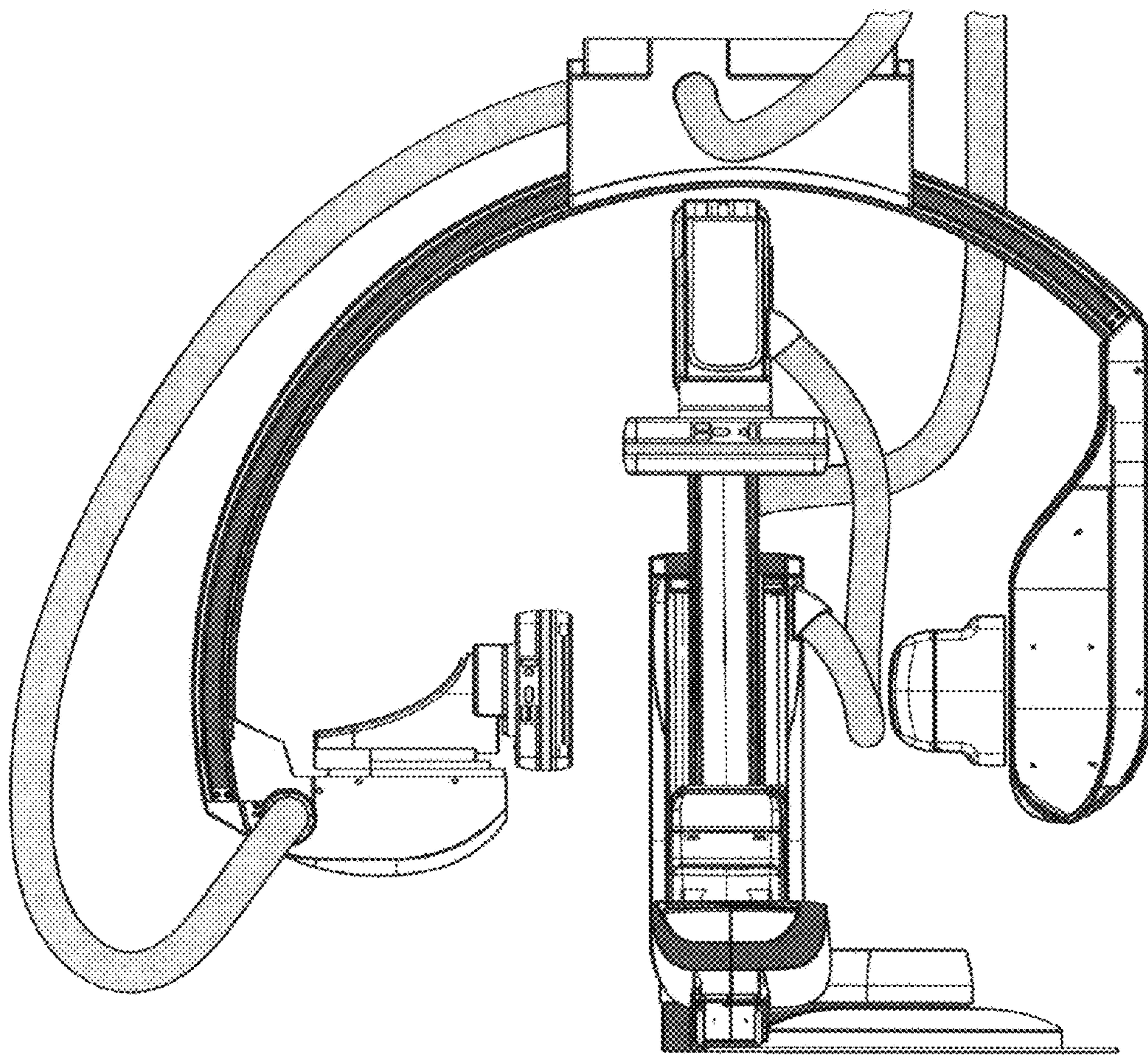


FIG 2

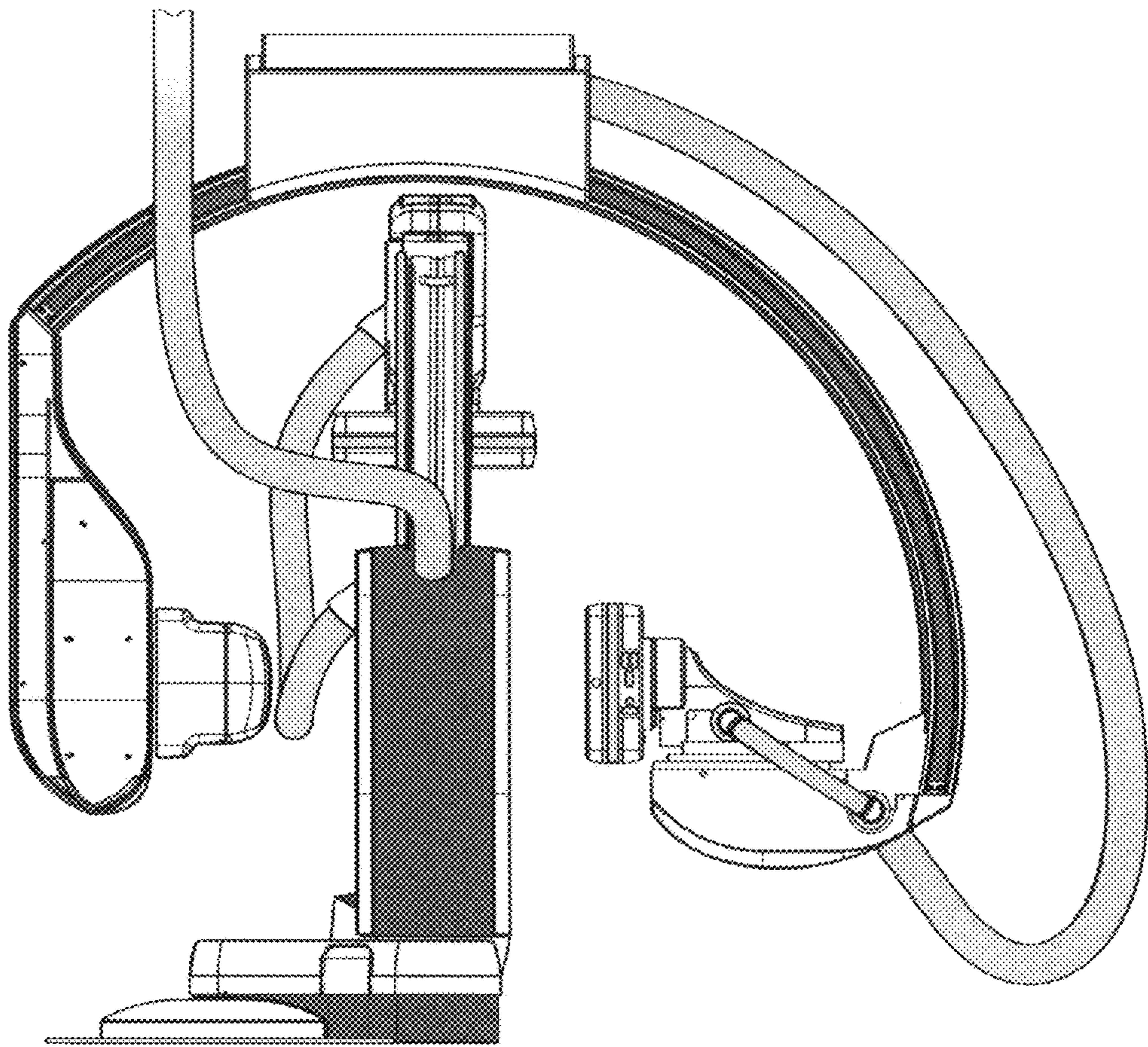


FIG 3

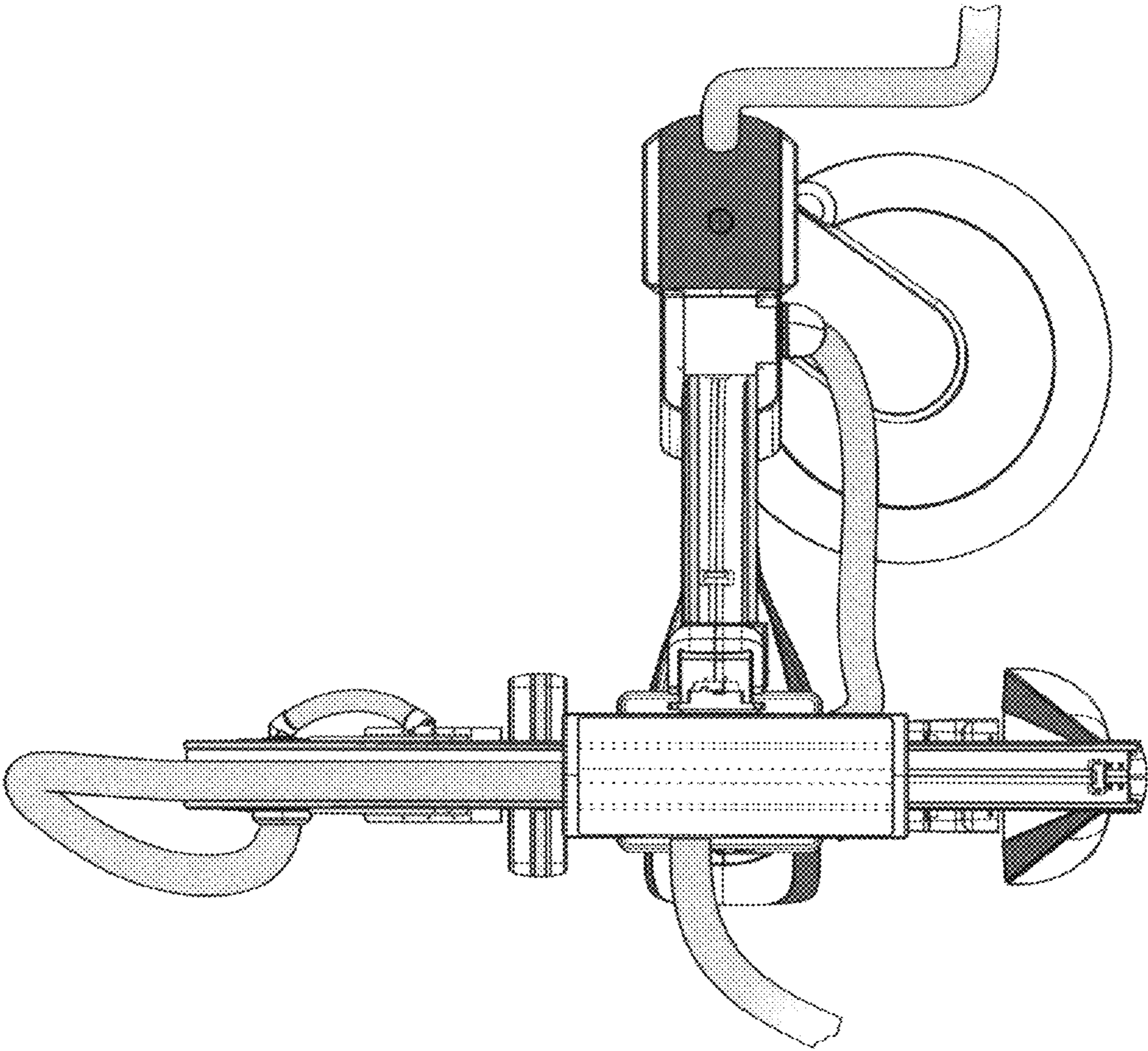


FIG 4

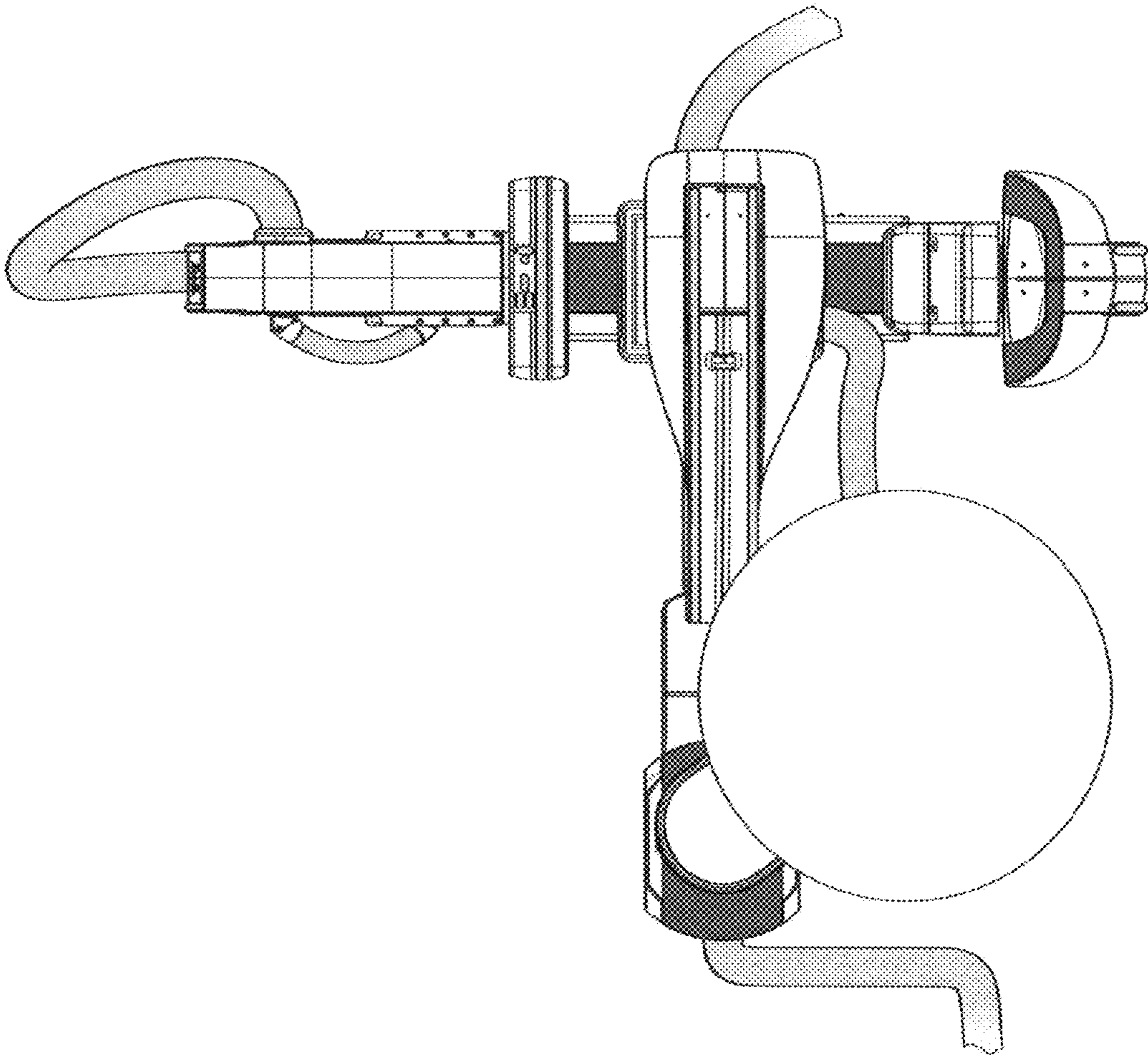


FIG 5

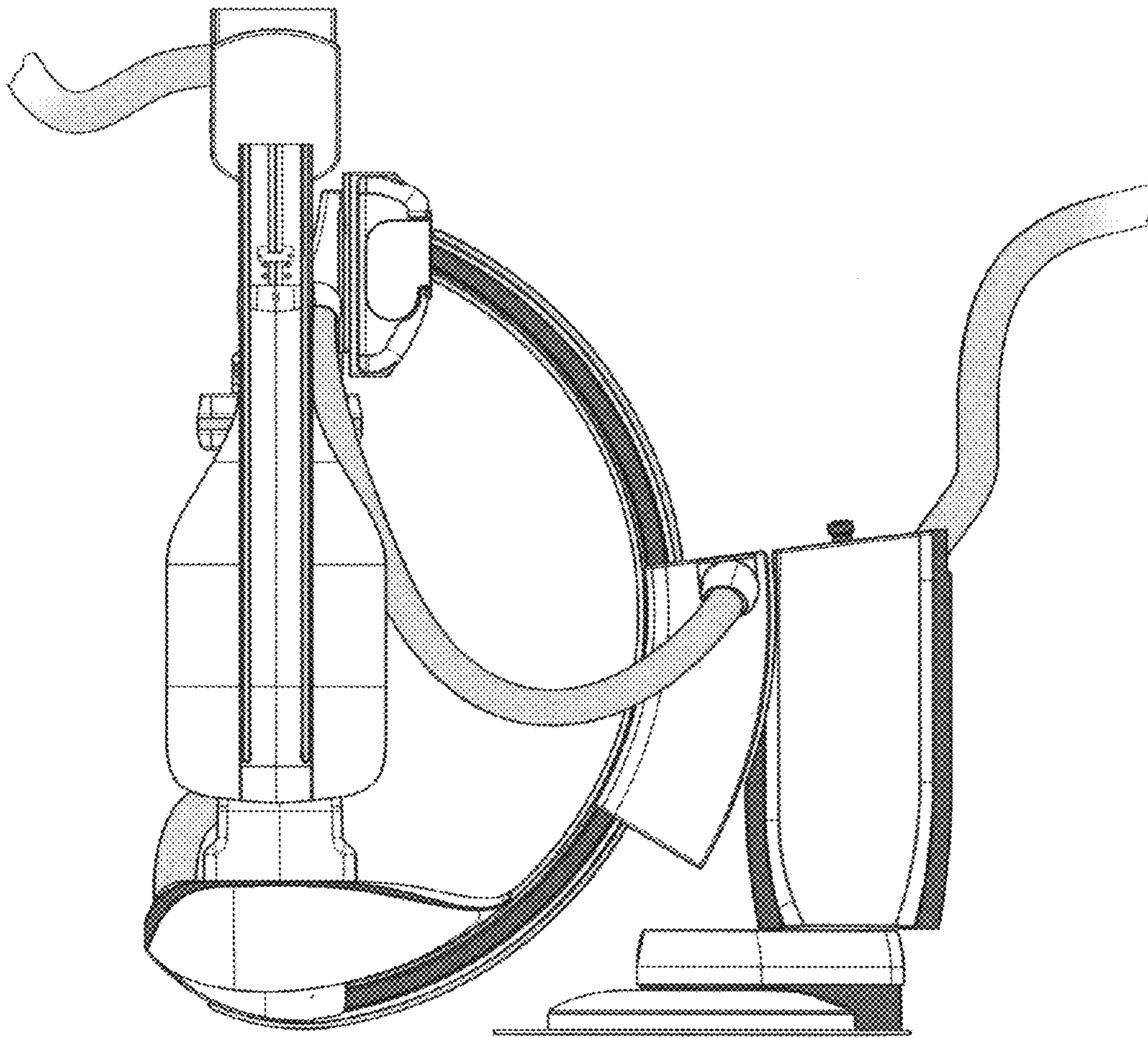


FIG 6

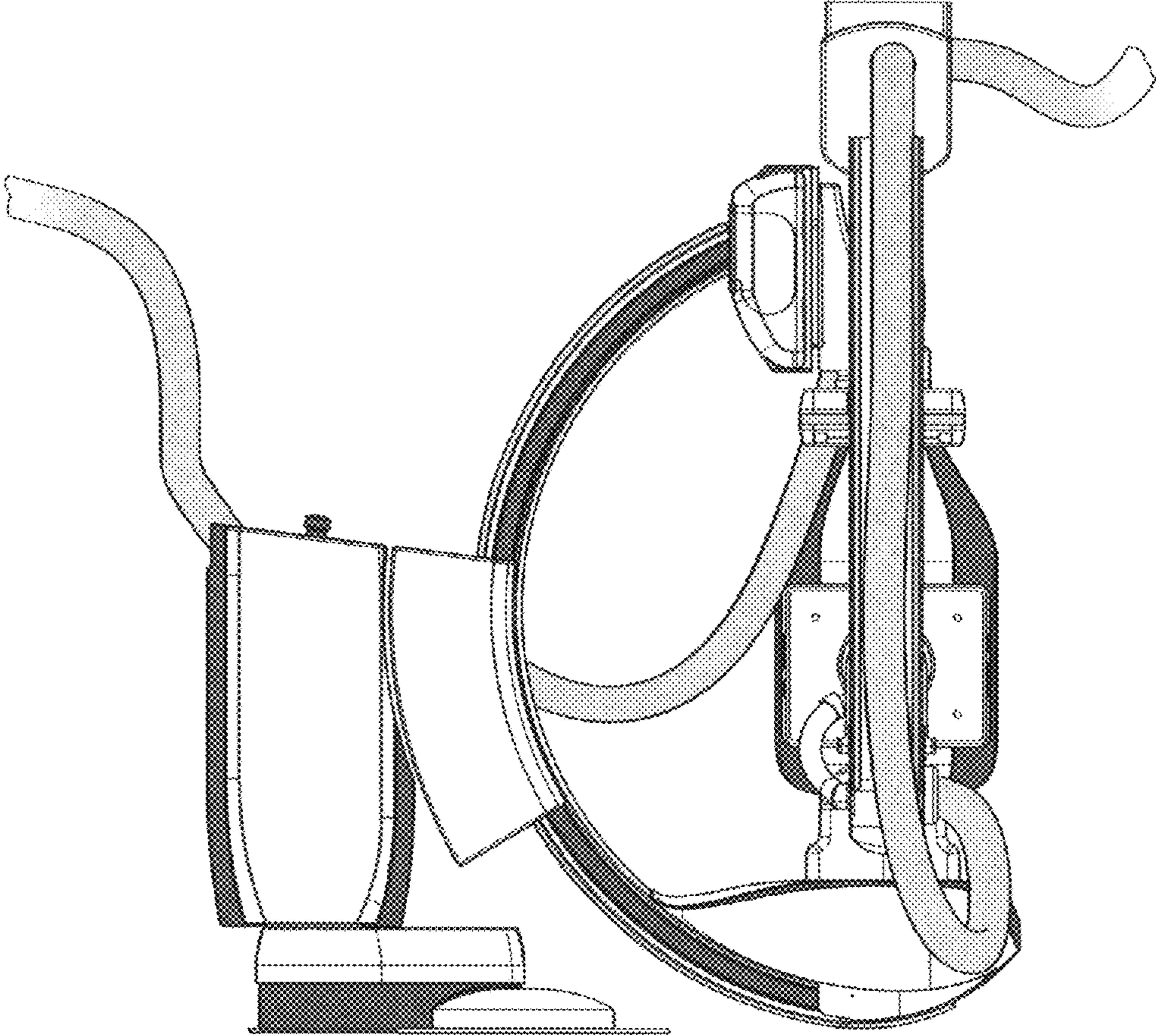


FIG 7

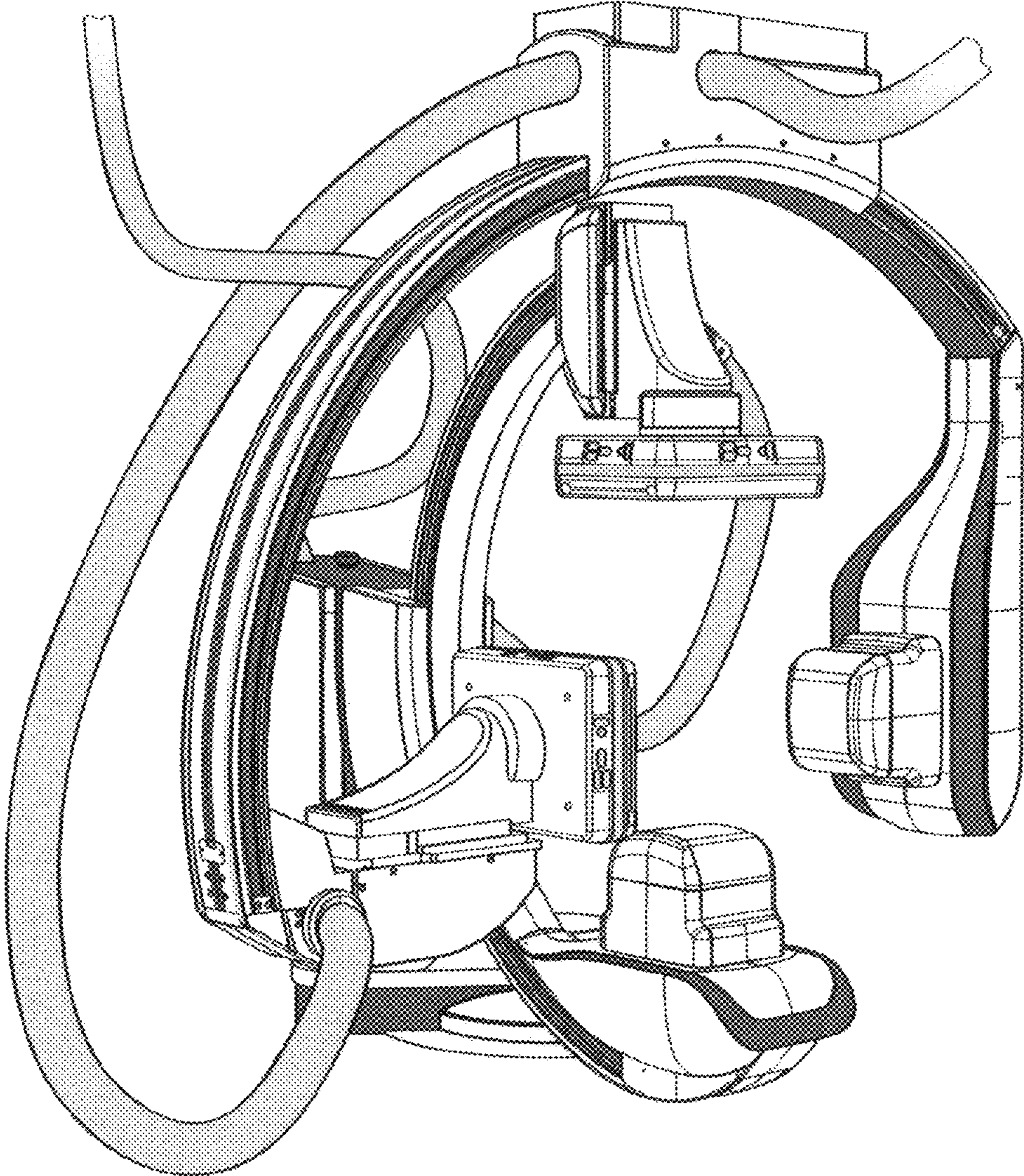


FIG 8

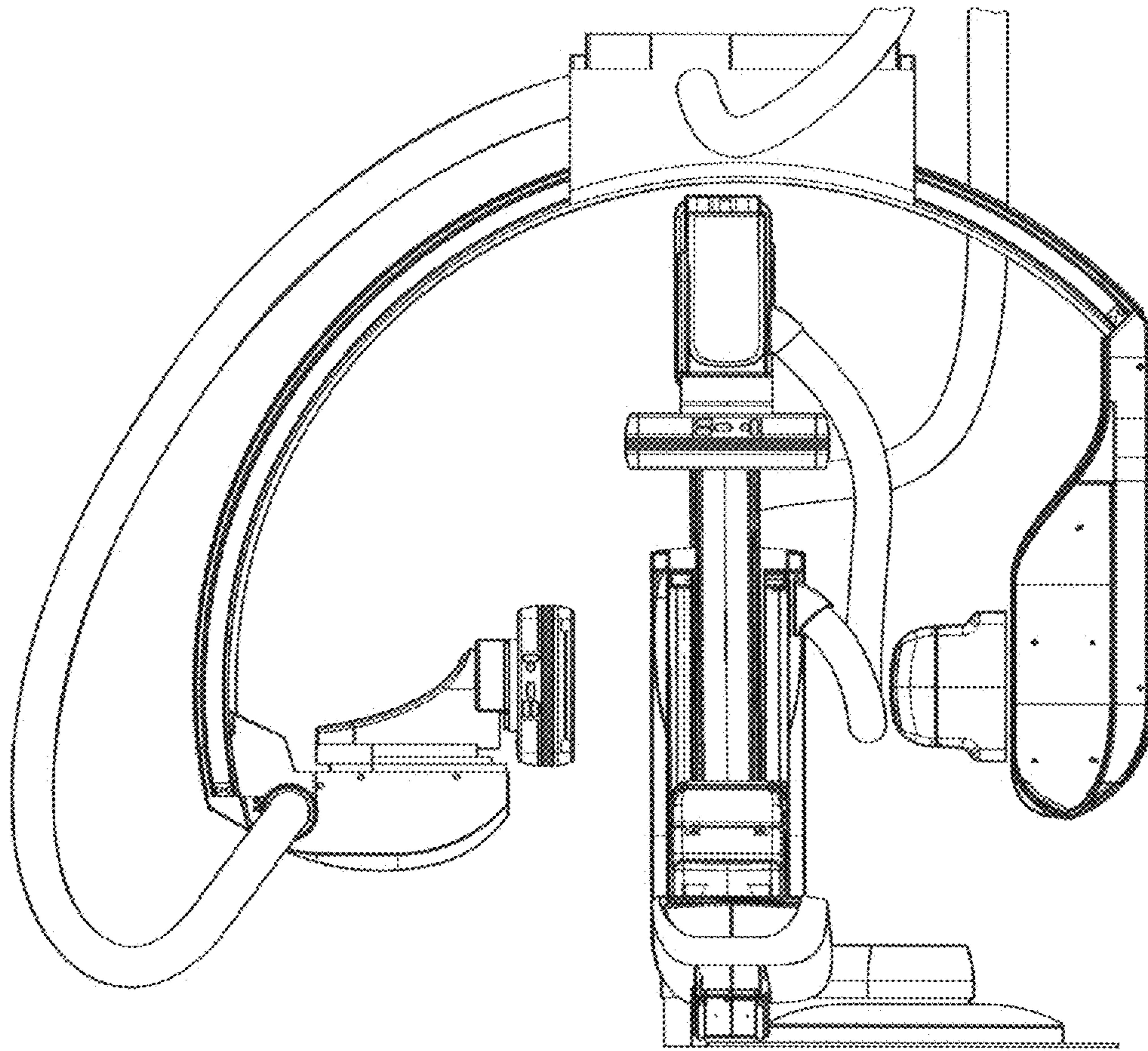


FIG 9

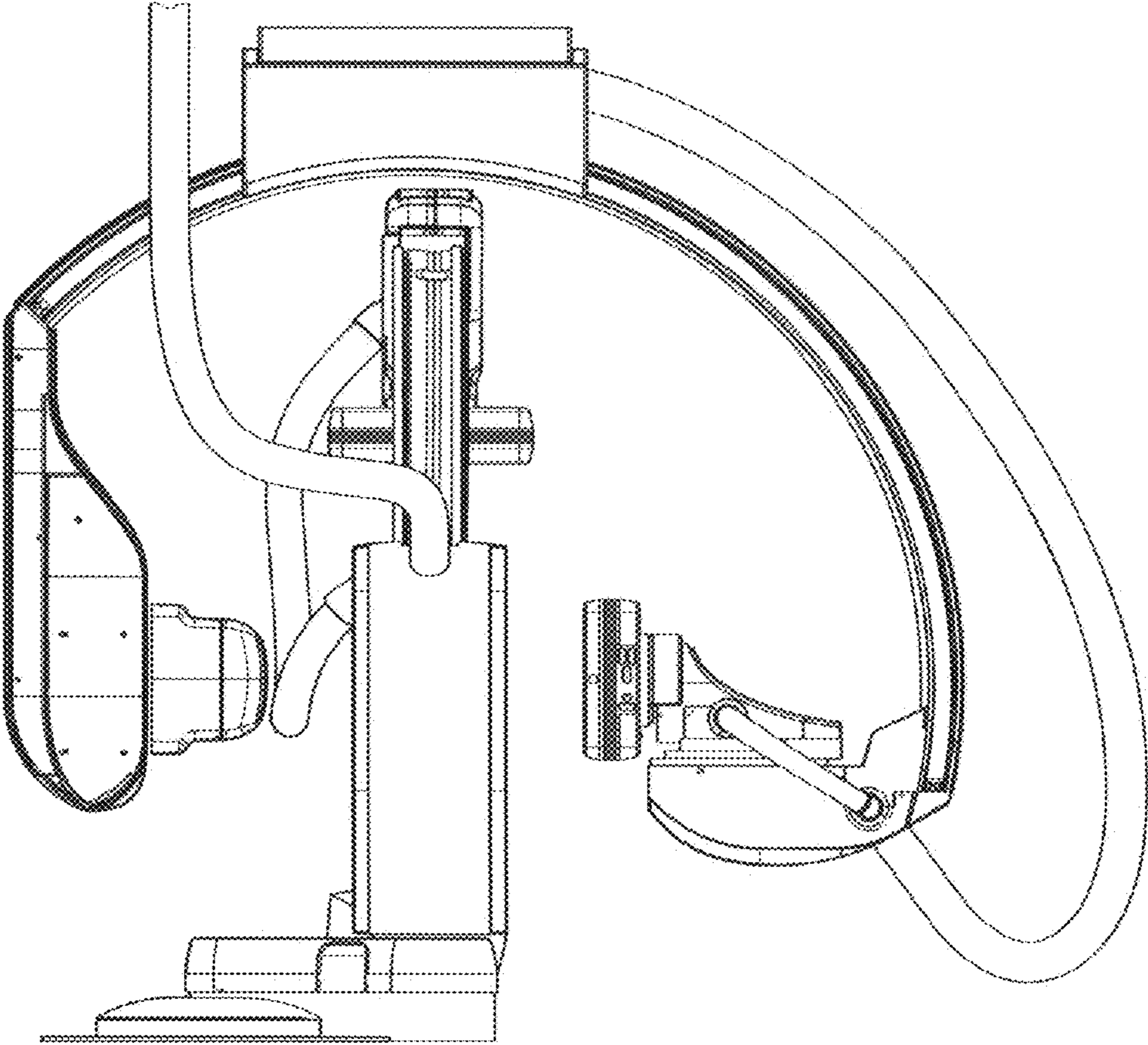


FIG 10

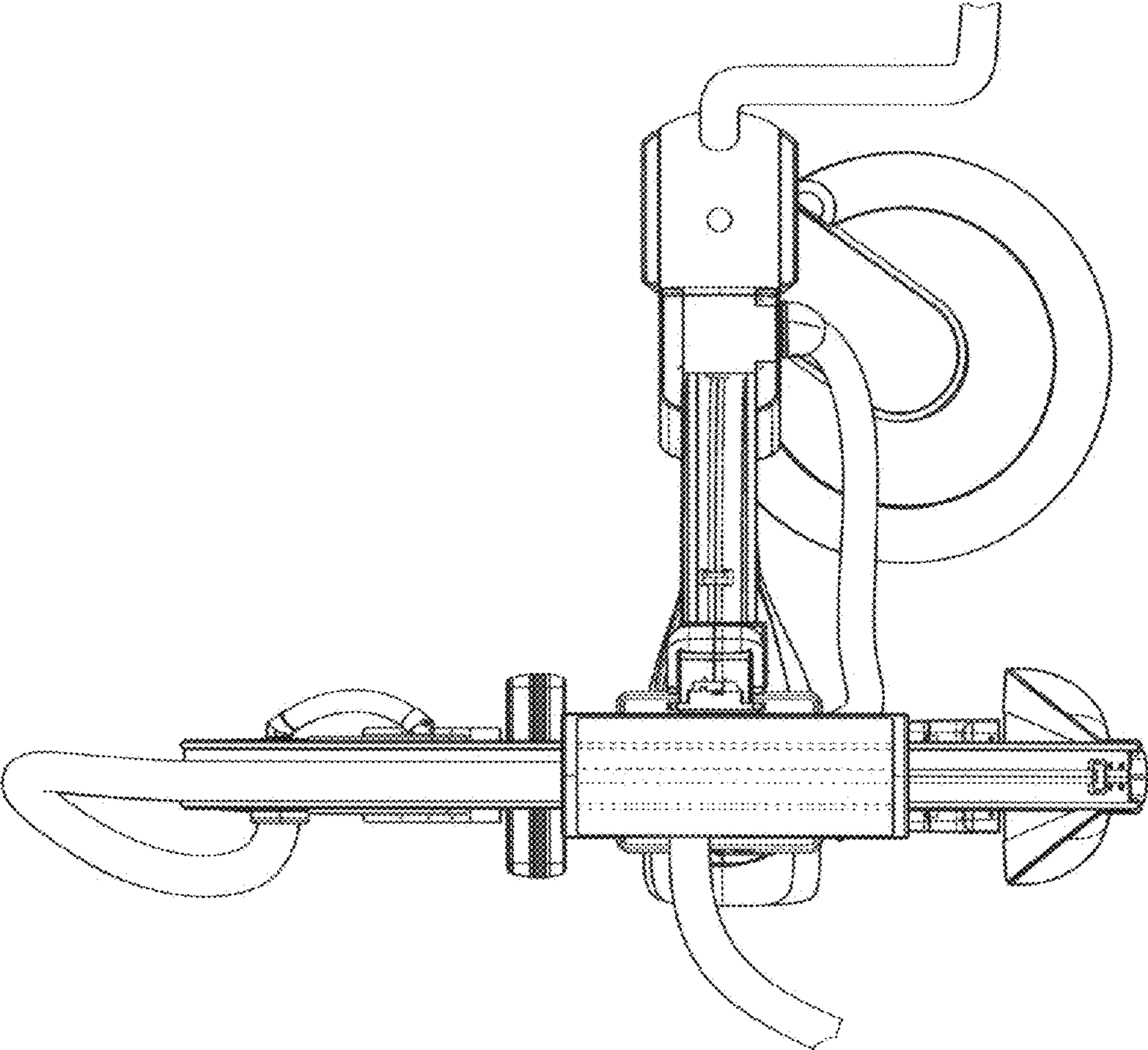


FIG 11

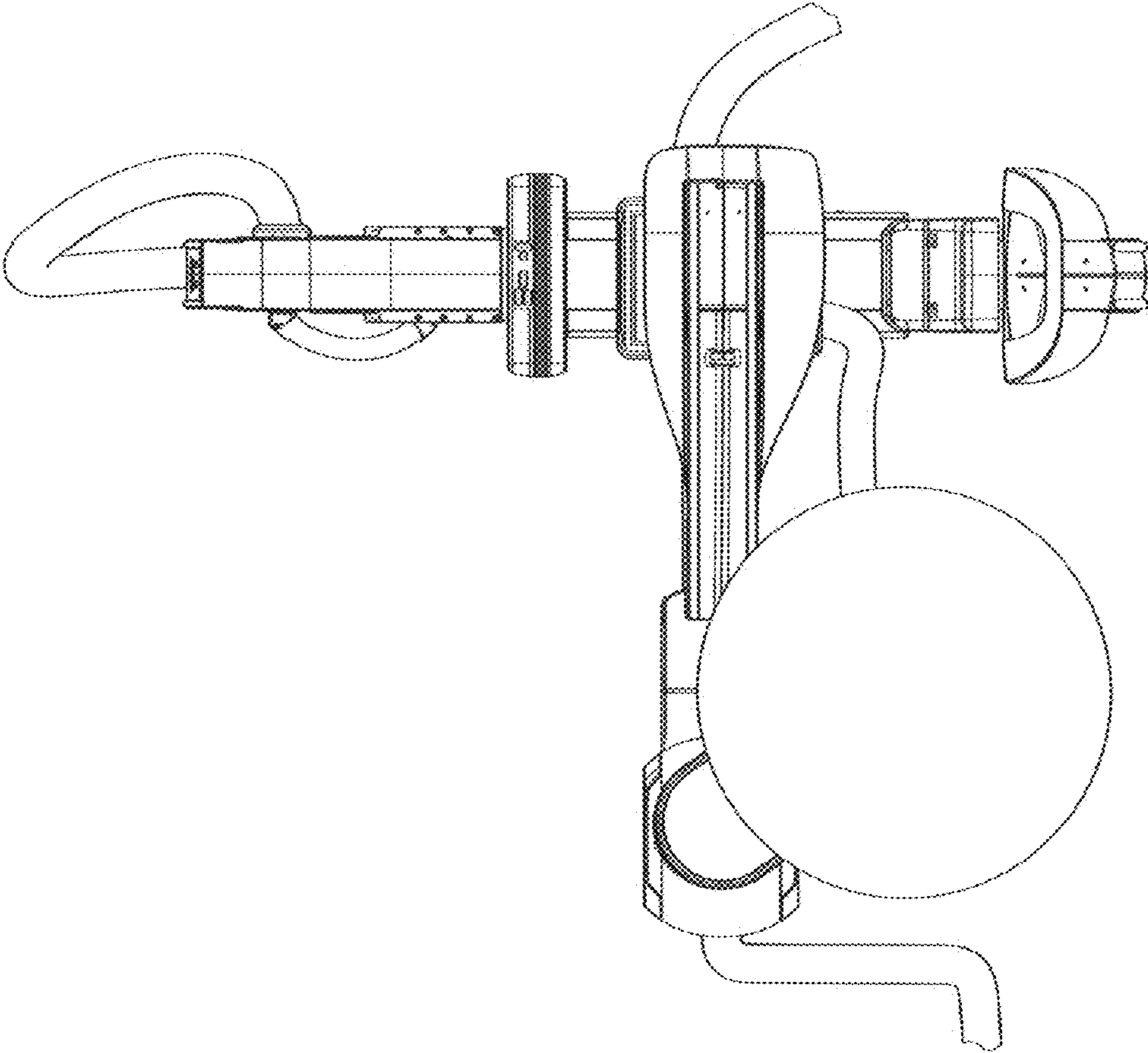


FIG 12

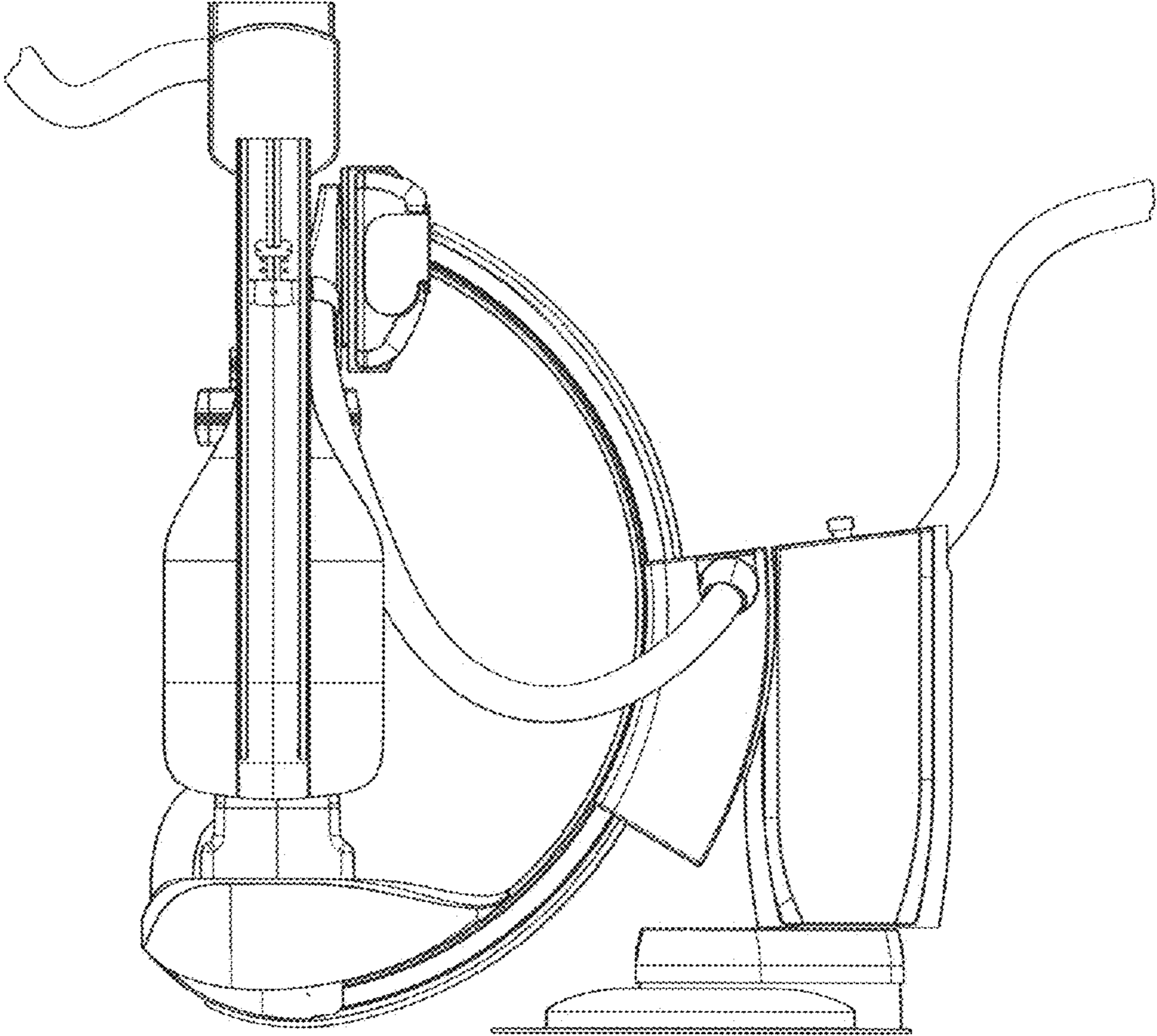


FIG 13

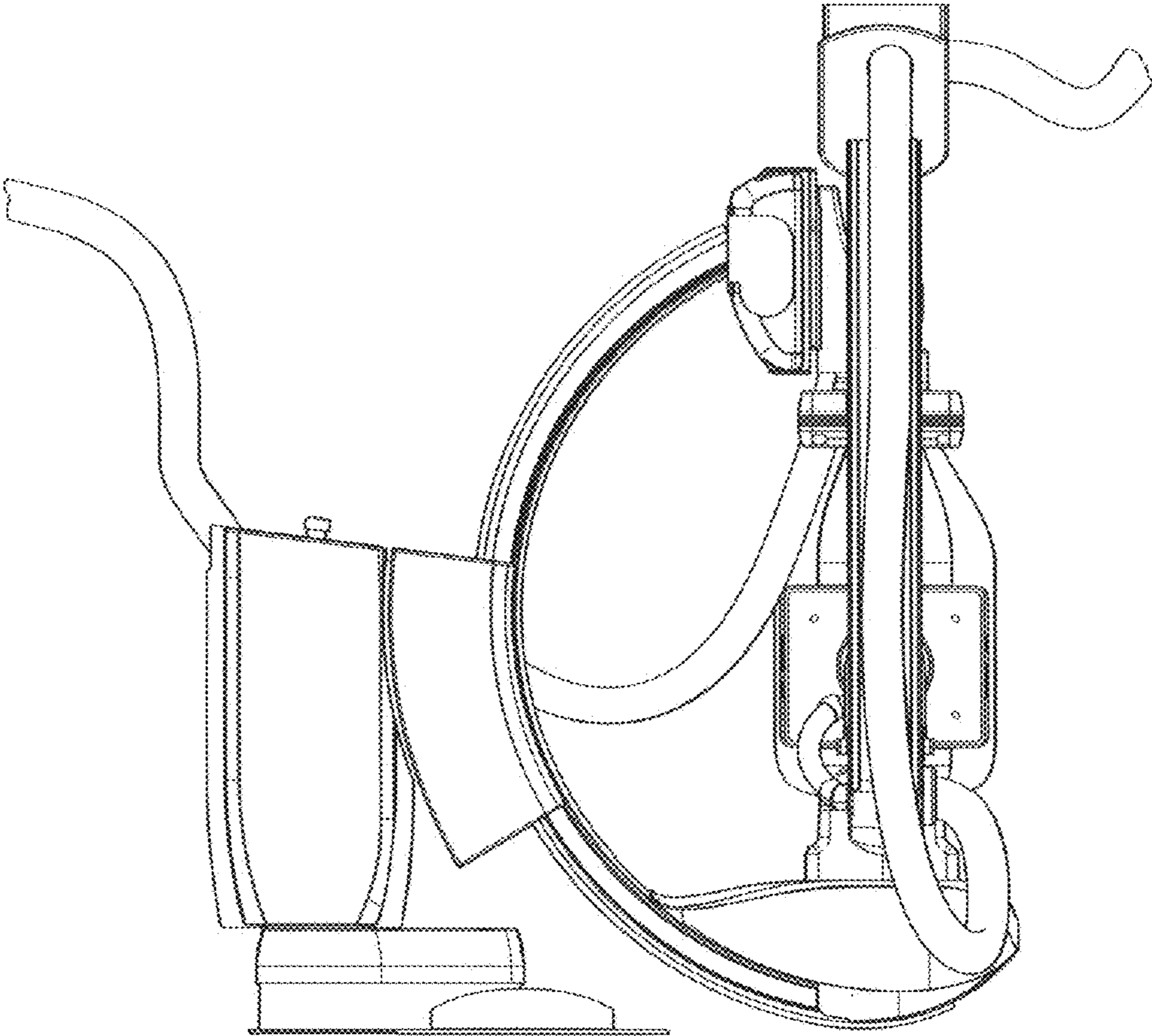


FIG 14

