

US00D736386S

(12) **United States Design Patent**
Sicarelli et al.

(10) **Patent No.:** **US D736,386 S**

(45) **Date of Patent:** **** *Aug. 11, 2015**

(54) **JACKETED DENTAL POST**

(71) Applicants: **Robert Sicarelli**, Southampton, NY
(US); **Samul Masyr**, Brooklyn, NY (US)

(72) Inventors: **Robert Sicarelli**, Southampton, NY
(US); **Samul Masyr**, Brooklyn, NY (US)

(*) Notice: This patent is subject to a terminal disclaimer.

(**) Term: **14 Years**

(21) Appl. No.: **29/453,013**

(22) Filed: **Apr. 24, 2013**

(51) **LOC (10) Cl.** **24-02**

(52) **U.S. Cl.**
USPC **D24/156**

(58) **Field of Classification Search**
USPC D24/155–157; 433/159, 166, 173, 174,
433/220, 221, 225; 439/271
See application file for complete search history.

(56) **References Cited**

U.S. PATENT DOCUMENTS

4,290,755	A *	9/1981	Scott	433/173
D273,984	S *	5/1984	Vlock	D24/156
4,519,662	A *	5/1985	Riley et al.	439/271
4,820,159	A *	4/1989	Weissman	433/225
4,854,871	A *	8/1989	Weissman	433/166
D321,560	S *	11/1991	Miller	D24/156
D342,314	S *	12/1993	Miller	D24/156

D358,212	S *	5/1995	Sullivan	D24/156
D366,115	S *	1/1996	Sullivan	D24/156
5,669,772	A *	9/1997	Musikant et al.	433/221
5,775,910	A *	7/1998	Orrico	433/221
6,450,815	B1 *	9/2002	Weisman	433/220
7,306,461	B2 *	12/2007	Bell	433/159
D567,378	S *	4/2008	Nordahl et al.	D24/156
D652,929	S *	1/2012	Sibhatu et al.	D24/156
2003/0113691	A1 *	6/2003	Ben-Yaakov et al.	433/220
2003/0219700	A1 *	11/2003	Lax	433/221
2003/0235805	A1 *	12/2003	Lax	433/220
2013/0071814	A1 *	3/2013	Boehner et al.	433/220
2013/0089835	A1 *	4/2013	Jensen	433/174
2013/0108984	A1 *	5/2013	Zipprich	433/173

* cited by examiner

Primary Examiner — Ian Simmons

Assistant Examiner — Charles Hanson

(74) *Attorney, Agent, or Firm* — Gingher & Salerno LLP;
Robert G. Gingher, Esq.

(57) **CLAIM**

The ornamental design for the jacketed dental post, as shown and described.

DESCRIPTION

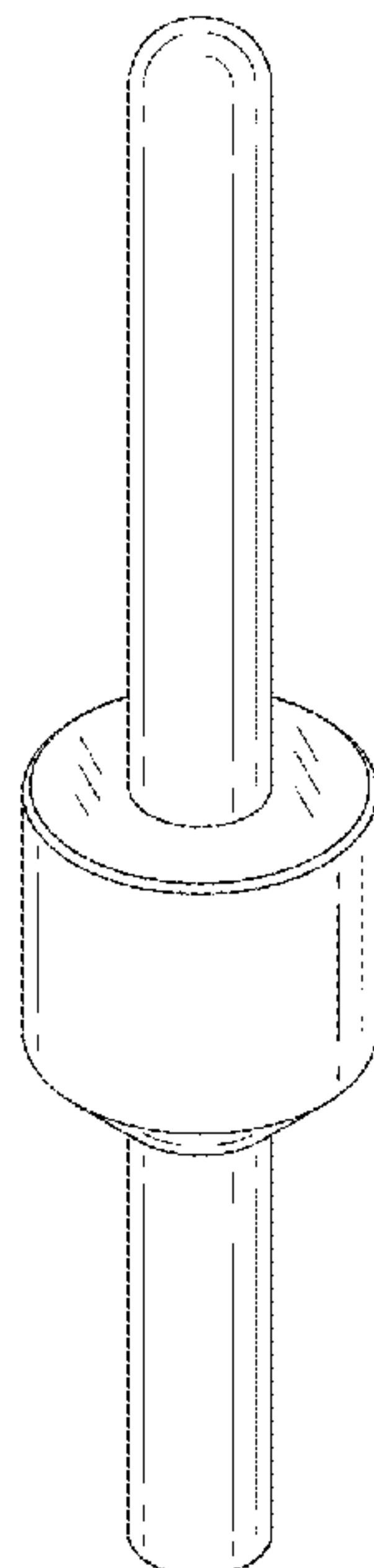
FIG. 1 is a top perspective view of our design for a jacketed dental post;

FIG. 2 is a top plan view thereof;

FIG. 3 is a front side view thereof; the rear side view, the left side view and the right side view are mirror images of the front side view; and,

FIG. 4 is a bottom plan view thereof.

1 Claim, 1 Drawing Sheet



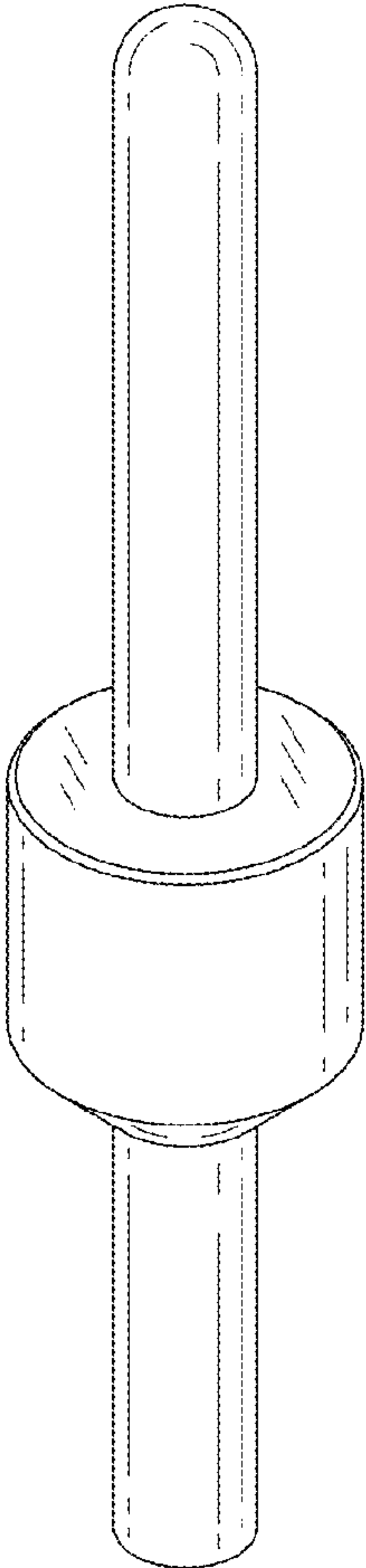


FIG. 1

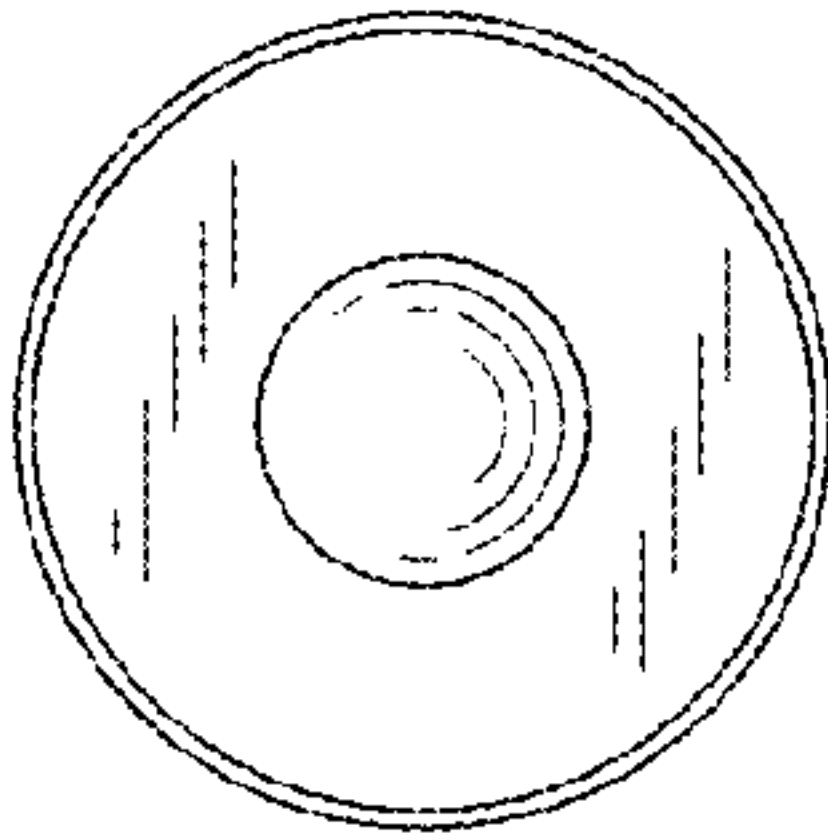


FIG. 2

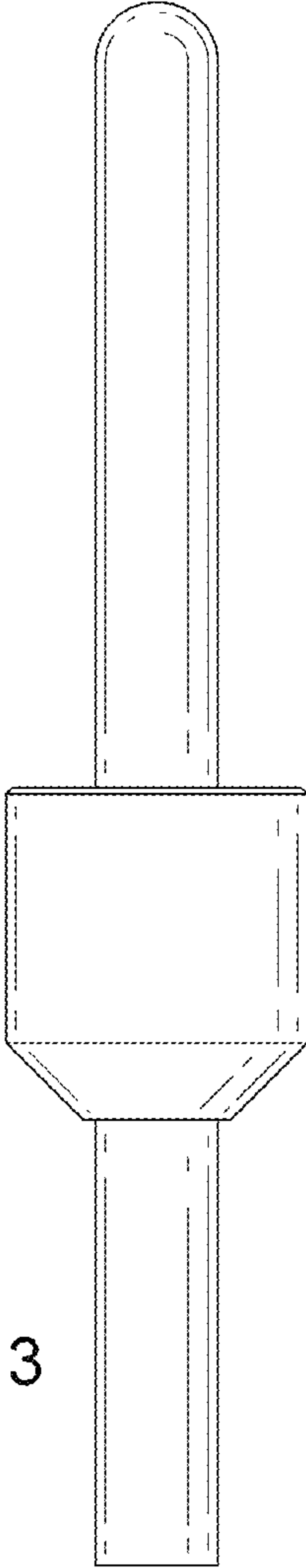


FIG. 3

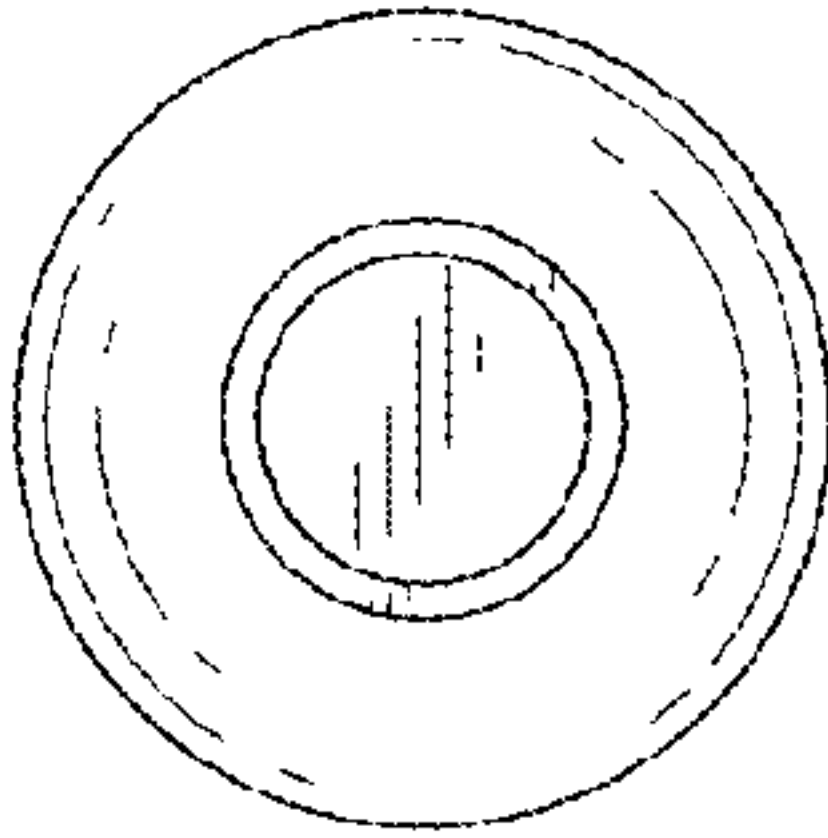


FIG. 4