



US00D736384S

(12) **United States Design Patent**
Palinchik et al.

(10) **Patent No.:** **US D736,384 S**

(45) **Date of Patent:** **** *Aug. 11, 2015**

(54) **SPINAL FUSION DEVICE**

(71) Applicant: **Alliance Partners LLC**, San Antonio, TX (US)

(72) Inventors: **Jennifer Palinchik**, Avon Lake, OH (US); **Matt Schmidt**, Avon Lake, OH (US)

(73) Assignee: **Alliance Partners, LLC**, San Antonio, TX (US)

(*) Notice: This patent is subject to a terminal disclaimer.

(**) Term: **14 Years**

(21) Appl. No.: **29/444,092**

(22) Filed: **Jan. 25, 2013**

(51) **LOC (10) Cl.** **24-02**

(52) **U.S. Cl.**
USPC **D24/155**

(58) **Field of Classification Search**
USPC D24/155, 133, 135; 623/17.15, 17.16, 623/17.12; 604/500; 606/61
CPC A61F 2/4611; A61F 2/442; A61F 2220/0025; A61F 2310/00023; A61F 2002/30841; A61F 2002/2835; A61F 2002/30904; A61F 2/447

See application file for complete search history.

(56) **References Cited**

U.S. PATENT DOCUMENTS

7,226,480	B2 *	6/2007	Thalgott	623/17.11
7,238,203	B2 *	7/2007	Bagga et al.	623/17.11
D580,551	S *	11/2008	Cohen	D24/155
7,491,237	B2 *	2/2009	Randall et al.	623/17.11
7,637,950	B2 *	12/2009	Baccelli et al.	623/17.11
D619,255	S *	7/2010	Richter et al.	D24/155
D620,111	S *	7/2010	Courtney et al.	D24/155
D623,747	S *	9/2010	Horton	D24/155
D623,750	S *	9/2010	Duffield et al.	D24/155
D627,466	S *	11/2010	Courtney et al.	D24/155
D653,756	S *	2/2012	Courtney et al.	D24/155
D681,204	S *	4/2013	Farris et al.	D24/155
D682,427	S *	5/2013	Farris et al.	D24/155

* cited by examiner

Primary Examiner — Ian Simmons

Assistant Examiner — Charles Hanson

(74) *Attorney, Agent, or Firm* — Greenberg Traurig, LLP; Ross Spencer Garsson

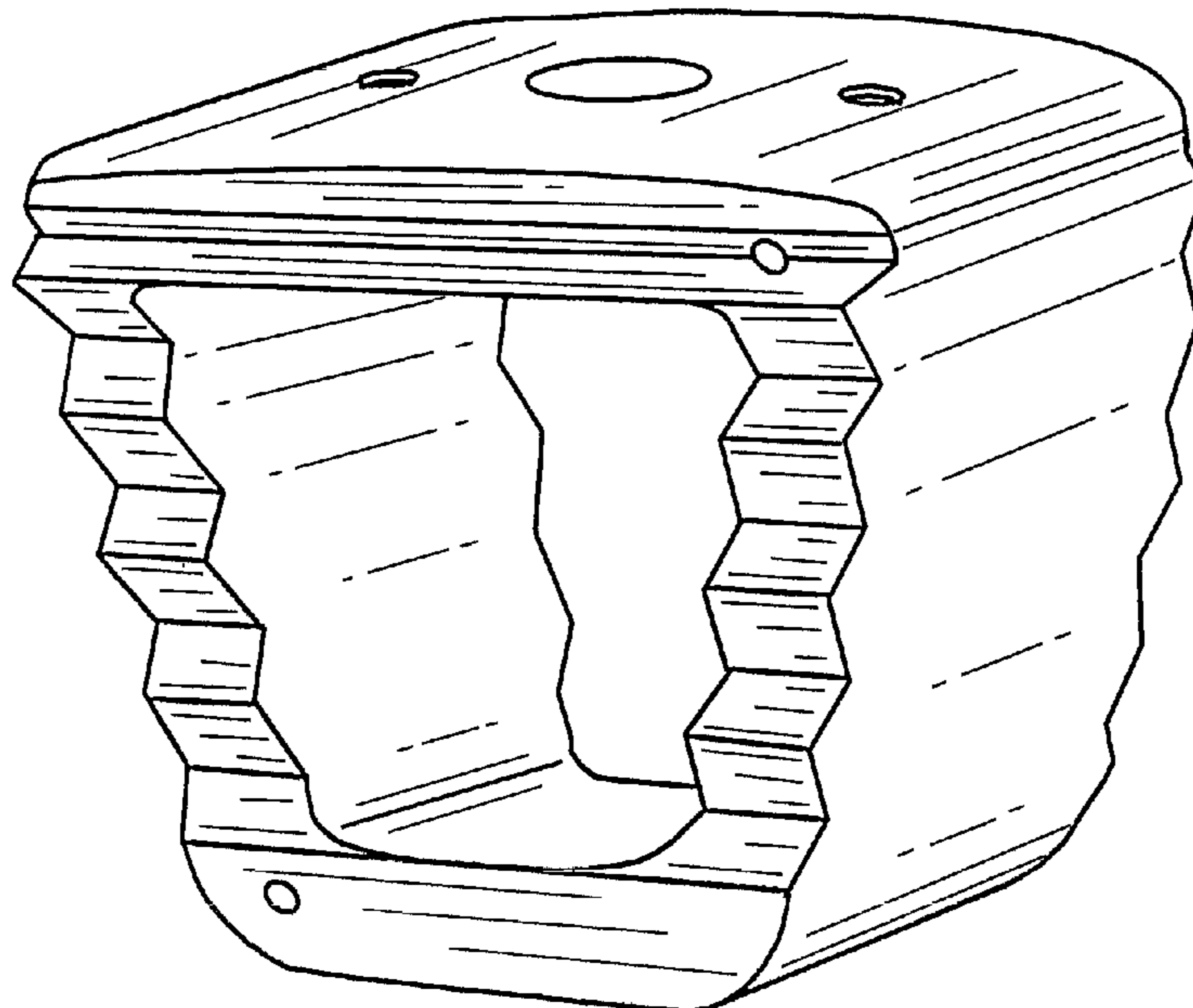
(57) **CLAIM**

The ornamental design for a spinal fusion device, as shown and described.

DESCRIPTION

FIG. 1 is a top perspective view of the spinal fusion device according to our design;
FIG. 2 is a bottom perspective view thereof;
FIG. 3 is a front view thereof;
FIG. 4 is a right side view thereof;
FIG. 5 is a bottom view thereof;
FIG. 6 is a left-side view thereof;
FIG. 7 is a rear view thereof; and,
FIG. 8 is a top view thereof.

1 Claim, 4 Drawing Sheets



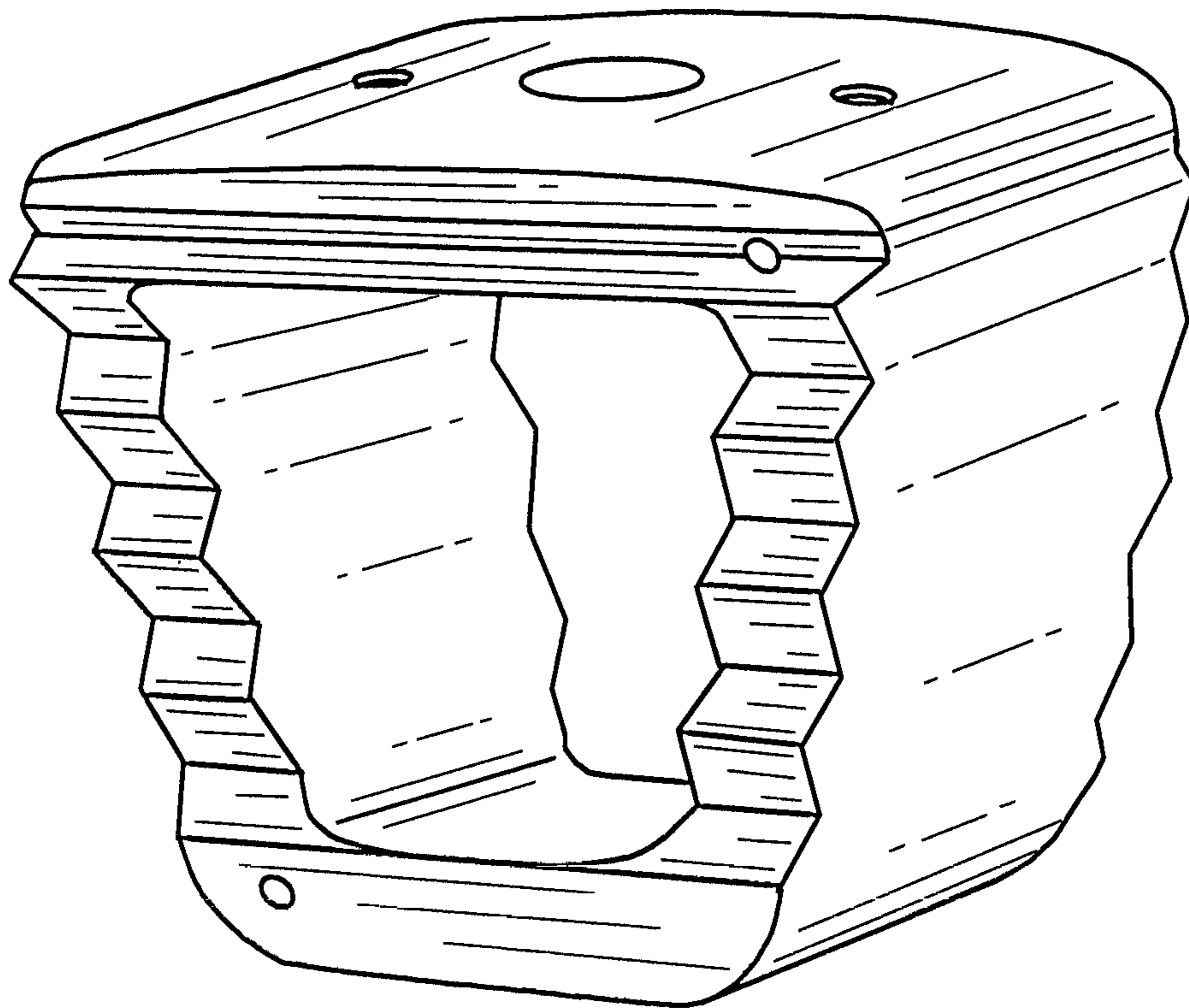


Fig. 1

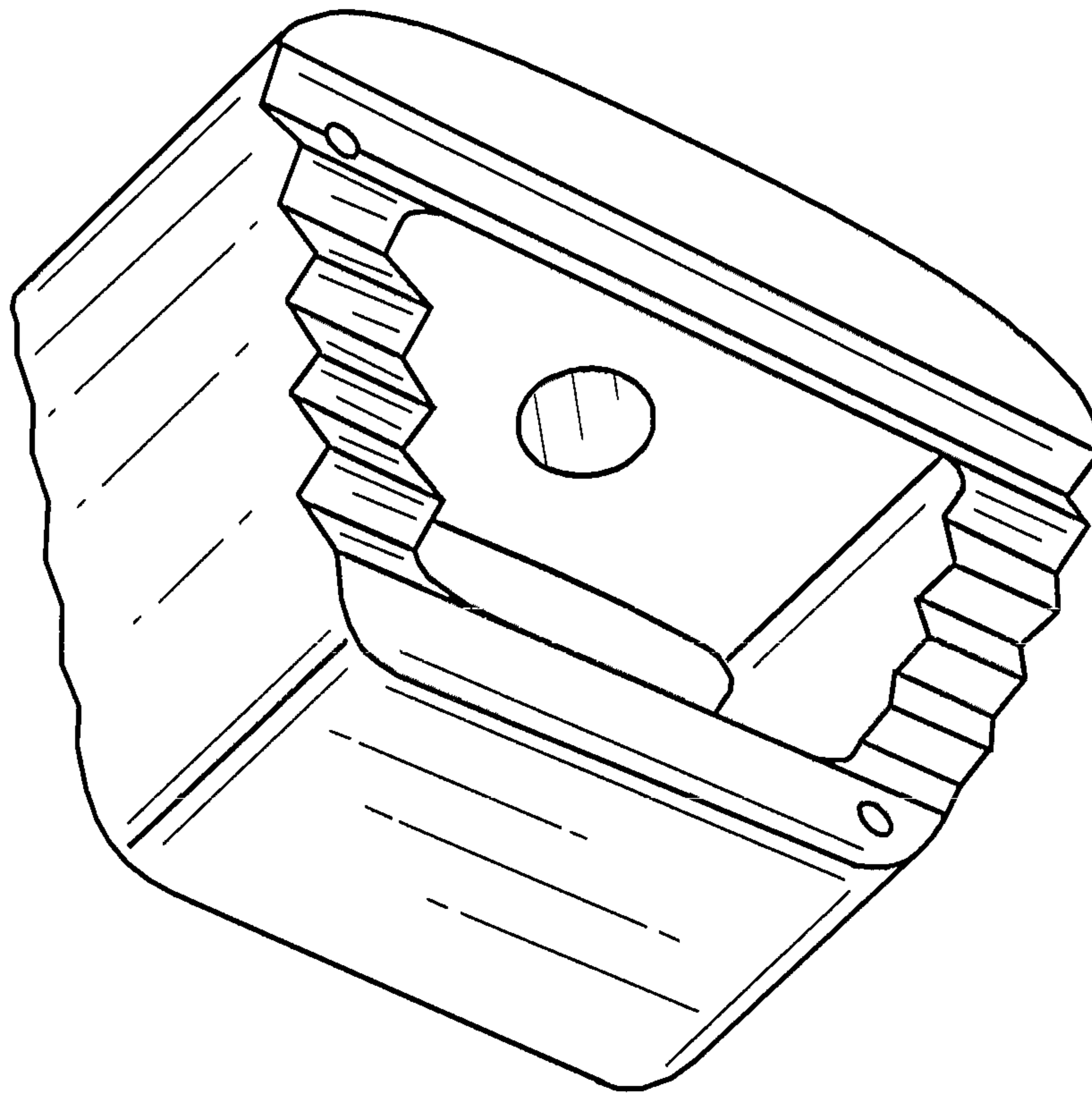


Fig. 2

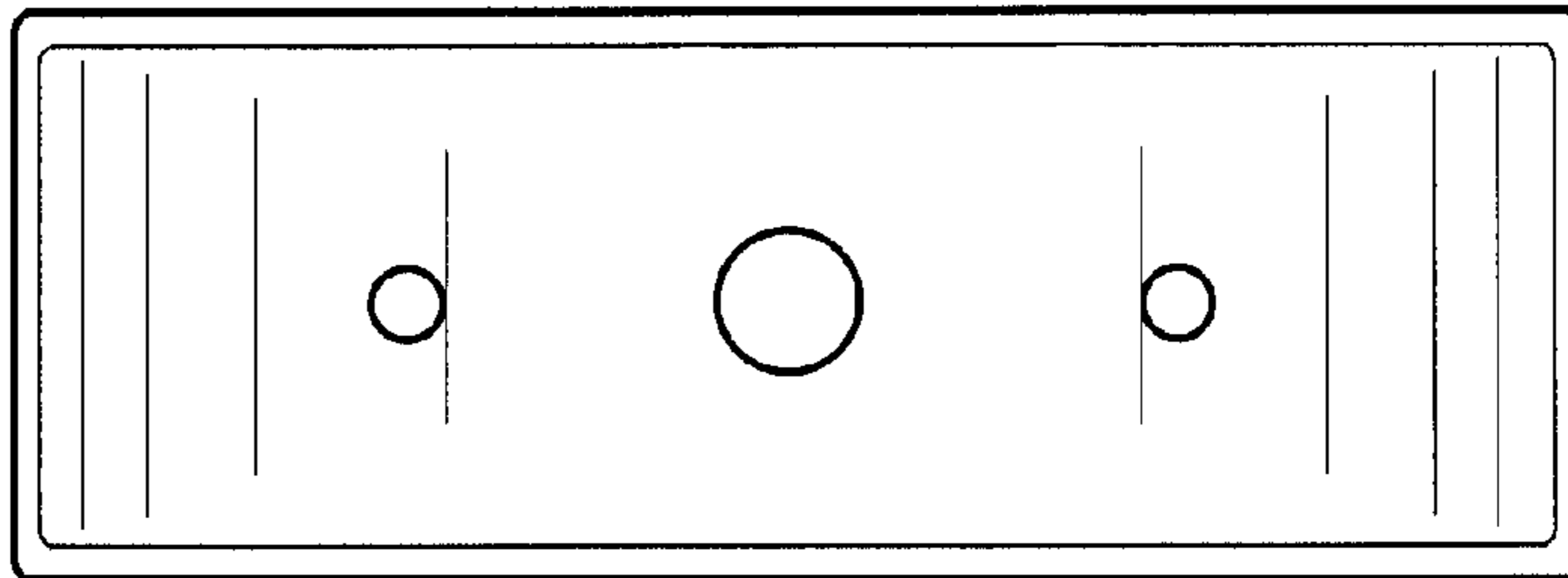


Fig. 3

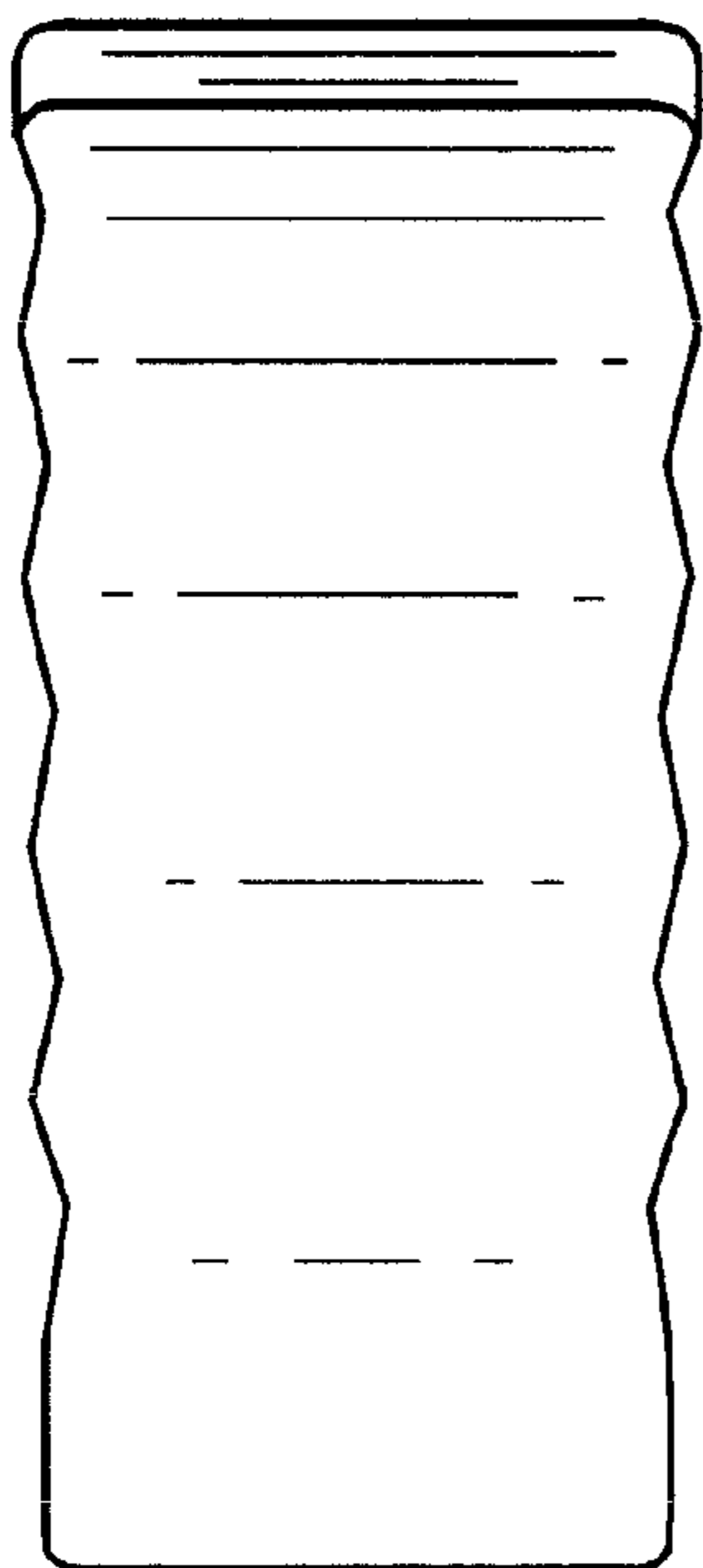


Fig. 4

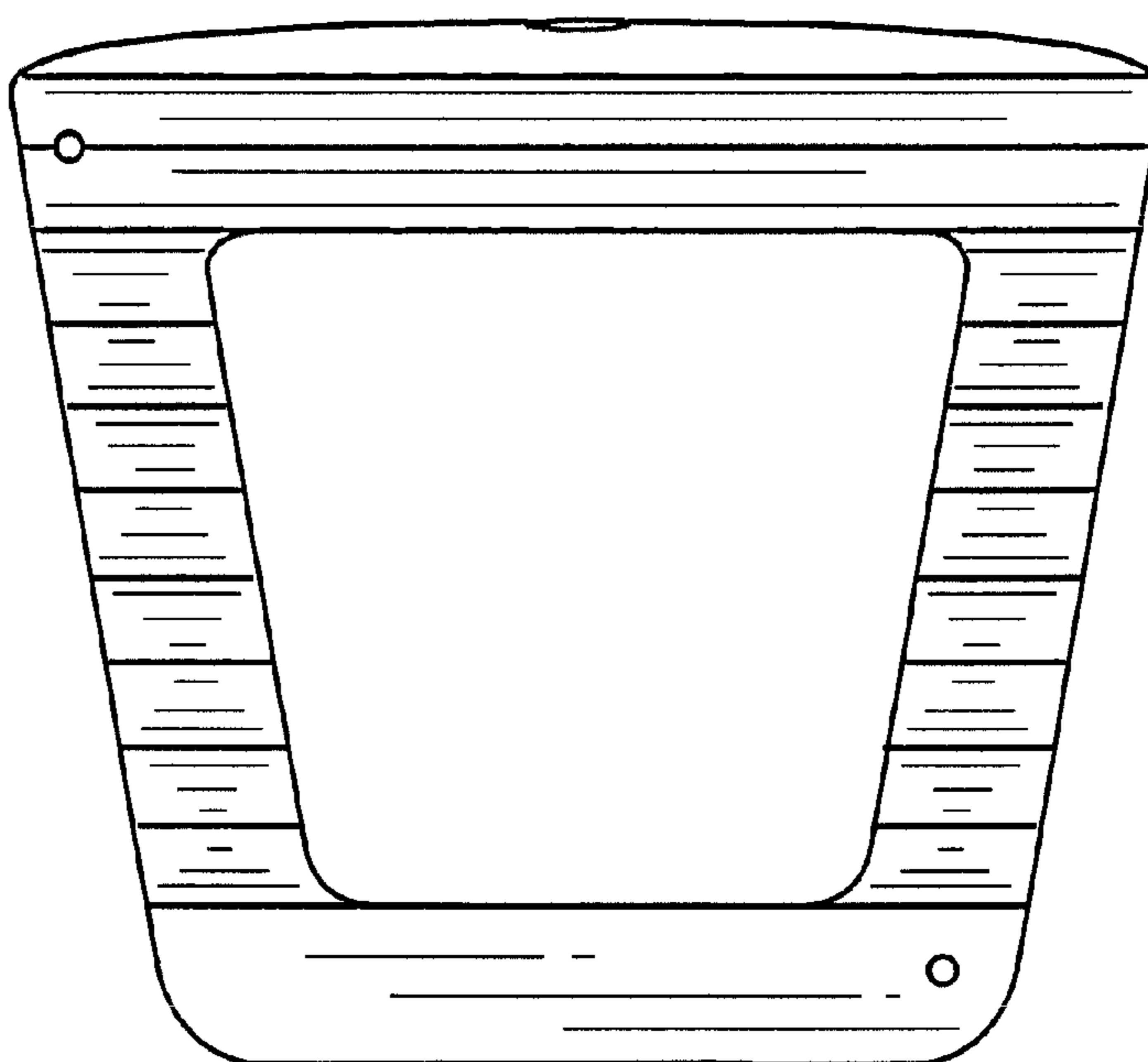


Fig. 5

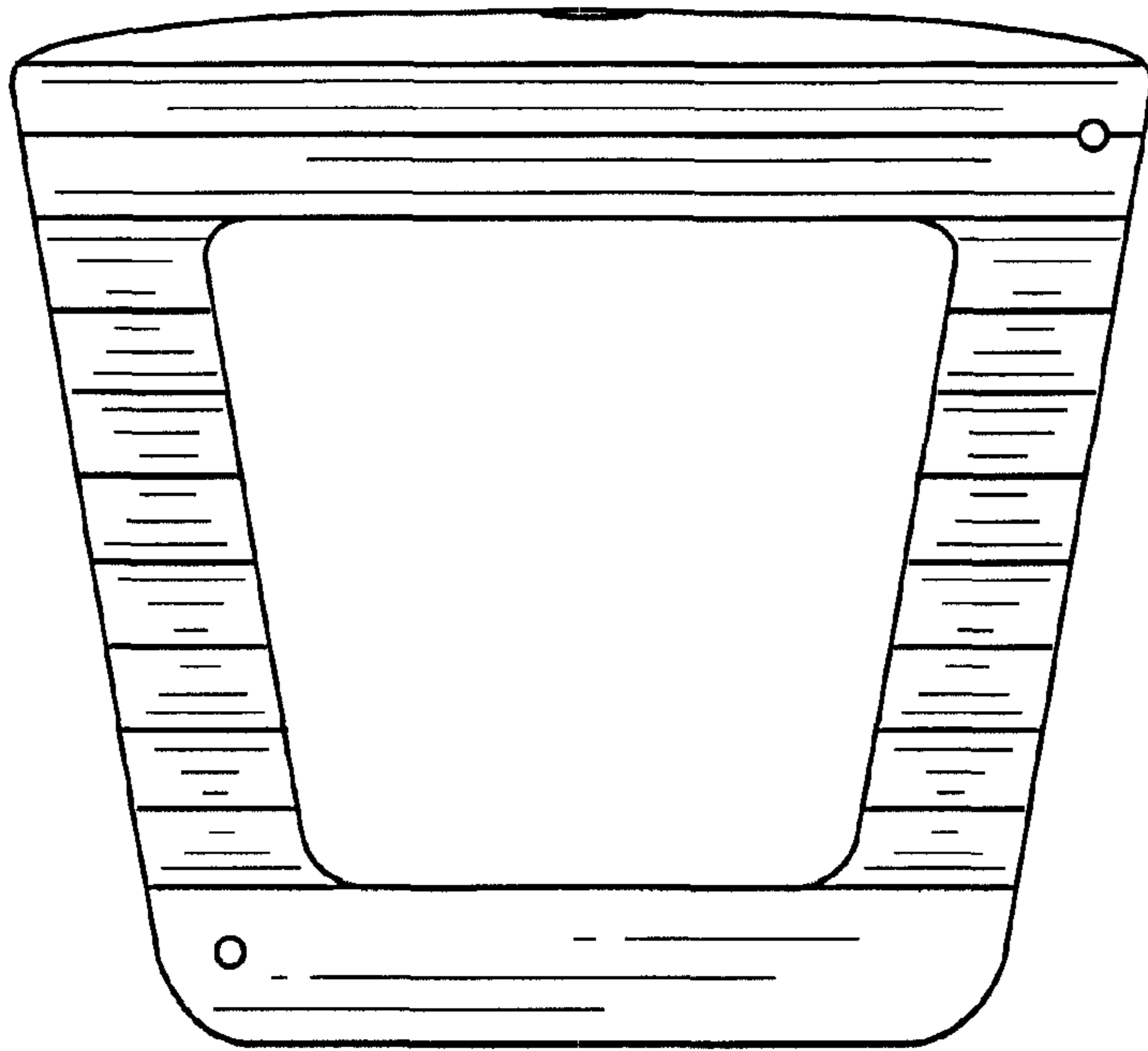


Fig. 8

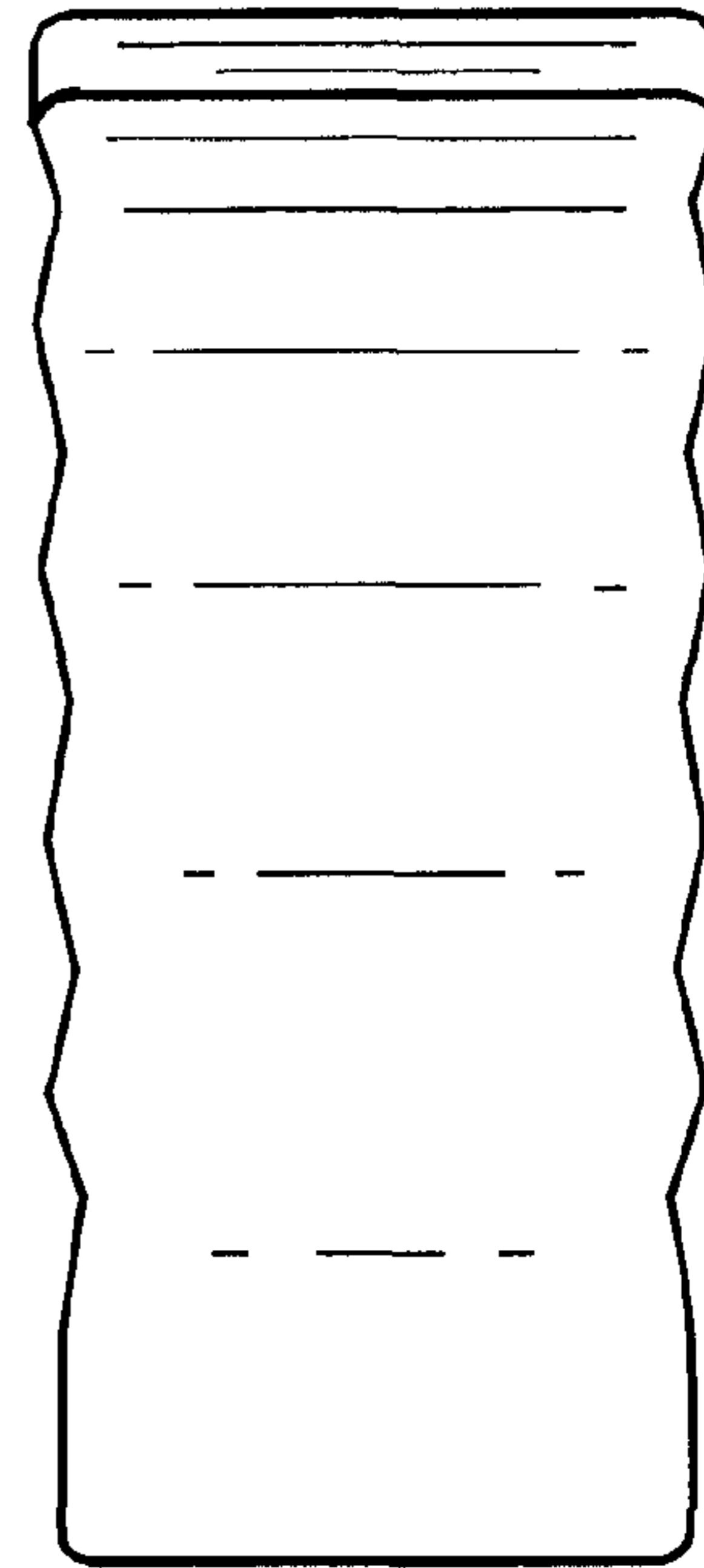


Fig. 6

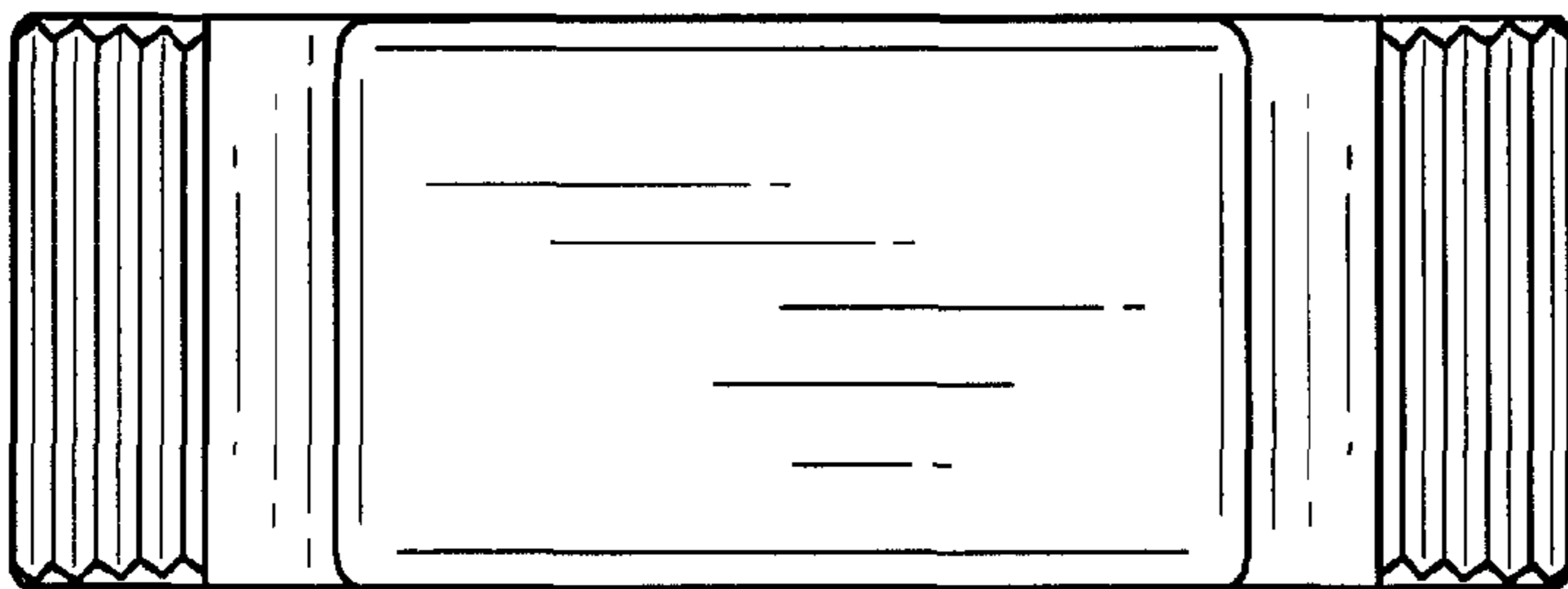


Fig. 7