



US00D736377S

(12) **United States Design Patent**
Lualdi et al.

(10) **Patent No.:** **US D736,377 S**
(45) **Date of Patent:** **** Aug. 11, 2015**

(54) **MILLING TOOL FOR PROSTHETIC SURGERY OPERATIONS**

(71) Applicant: **HPF SPA**, Forgaria del Friuli (IT)

(72) Inventors: **Tommaso Lualdi**, Fagagna (IT); **Mauro Menegon**, San Francesco Fraz. Vito d'Asio (IT)

(73) Assignee: **HPF SPA**, Forgaria del Friuli (UD) (IT)

(**) Term: **14 Years**

(21) Appl. No.: **29/446,809**

(22) Filed: **Feb. 27, 2013**

(30) **Foreign Application Priority Data**

Sep. 13, 2012 (EM) 2102723-0002

(51) **LOC (10) Cl.** **24-02**

(52) **U.S. Cl.**
USPC **D24/147**

(58) **Field of Classification Search**
USPC D7/649; D8/6-8, 80, 90, 98, 300, 397;
D19/110; D24/127, 133, 145, 146,
D24/147, 171; 30/151, 162, 338, 339;
606/79, 80, 81, 82, 88, 167, 168, 169,
606/171, 176, 297
CPC A61B 17/1671; A61B 17/14; A61B
17/3211; A61B 17/320758; A61B 17/320092;
A61B 17/141; A61F 9/00763
See application file for complete search history.

(56) **References Cited**

U.S. PATENT DOCUMENTS

4,023,572	A	5/1977	Weigand et al.	
5,203,653	A	4/1993	Kudla	
5,376,092	A	12/1994	Hein et al.	
5,578,037	A *	11/1996	Sanders et al.	606/80
6,475,221	B1	11/2002	White et al.	
6,730,094	B2	5/2004	Salyer et al.	
7,217,272	B2	5/2007	Salyer	

D579,562	S *	10/2008	Anderson et al.	D24/133
7,588,572	B2 *	9/2009	White et al.	606/80
7,749,227	B2 *	7/2010	Lechot et al.	606/80
D654,591	S *	2/2012	Gunnensen	D24/151
D700,322	S *	2/2014	Kleiner	D24/133
2003/0216716	A1 *	11/2003	Desarzens	606/1
2005/0251145	A1 *	11/2005	Desarzens et al.	606/80
2007/0142840	A1	6/2007	Goodwin et al.	
2008/0255562	A1 *	10/2008	Gil et al.	606/79
2009/0043312	A1 *	2/2009	Koulisis et al.	606/99
2012/0022539	A1 *	1/2012	Lualdi	606/81
2012/0078315	A1 *	3/2012	Sweeney	606/86 A
2012/0083787	A1 *	4/2012	Oren et al.	606/79

FOREIGN PATENT DOCUMENTS

DE	102005058107	7/2007
DE	102014106373	A1 * 11/2014

* cited by examiner

Primary Examiner — Robert M Spear

Assistant Examiner — Marissa J Cash

(74) *Attorney, Agent, or Firm* — Rankin, Hill & Clark LLP

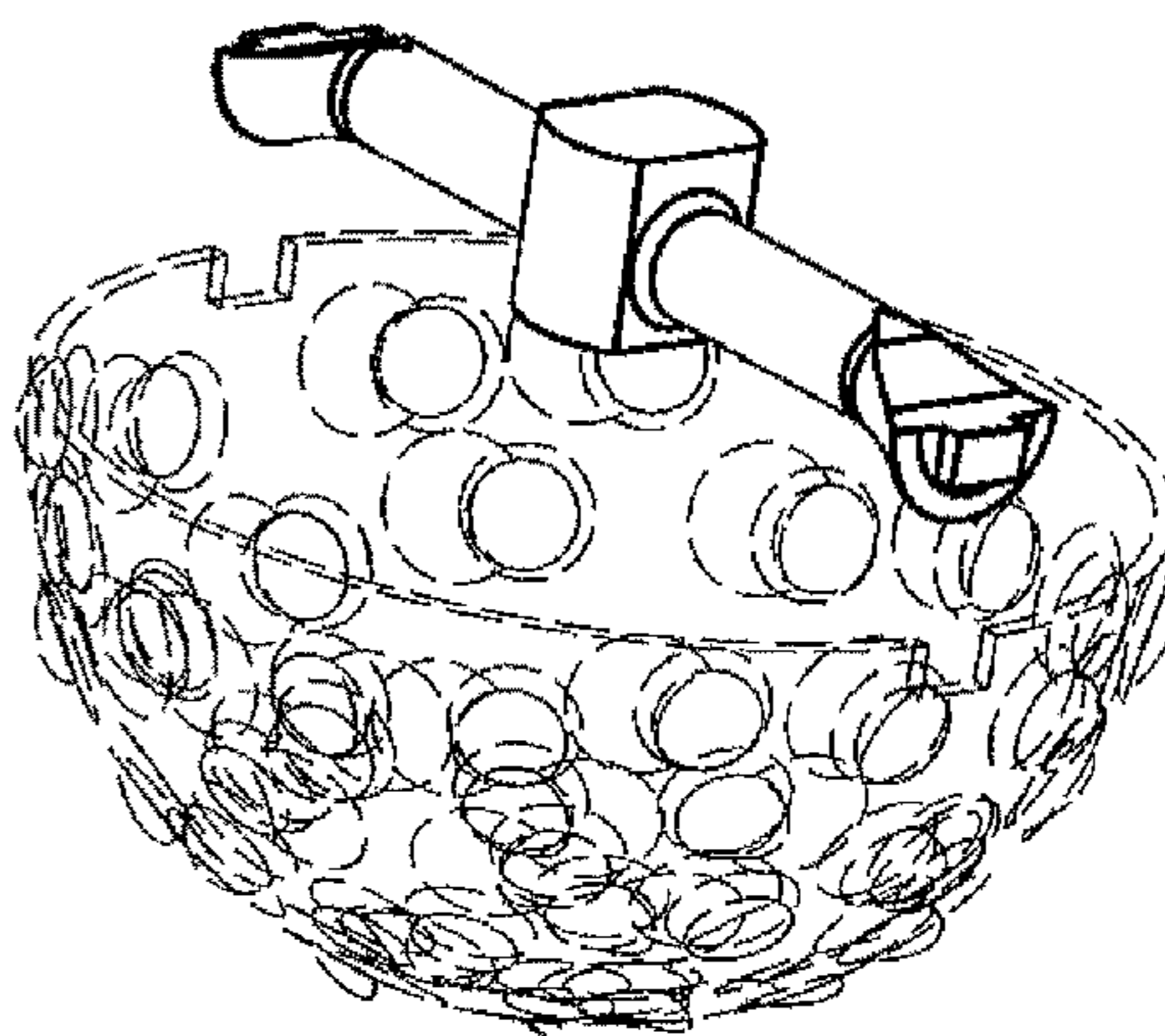
(57) **CLAIM**

The ornamental design for a milling tool for prosthetic surgery operations, as shown and described.

DESCRIPTION

FIG. 1 is a perspective view of a milling tool for prosthetic surgery operations;
 FIG. 2 is a front view thereof; the rear view is the same as the front view;
 FIG. 3 is a right end view thereof; the left end view is the same as the right end view;
 FIG. 4 is a top plan view thereof;
 FIG. 5 is a bottom plan view thereof; and,
 FIG. 6 is a perspective view of a milling tool for prosthetic surgery operations shown in an environment of use with a cap body.
 The broken lines in the drawings represent unclaimed environmental subject matter and form no part of the claim.

1 Claim, 4 Drawing Sheets



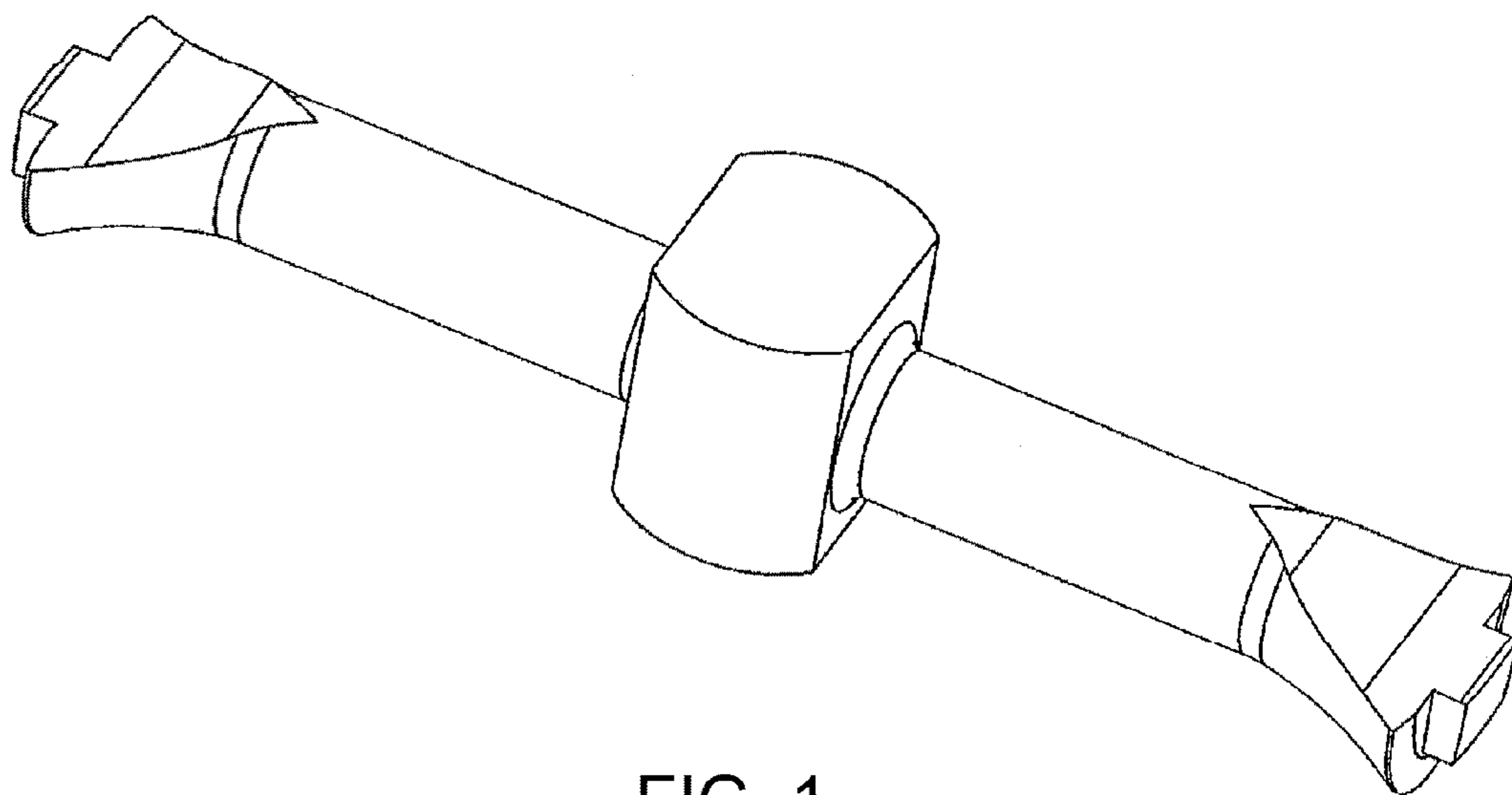


FIG. 1

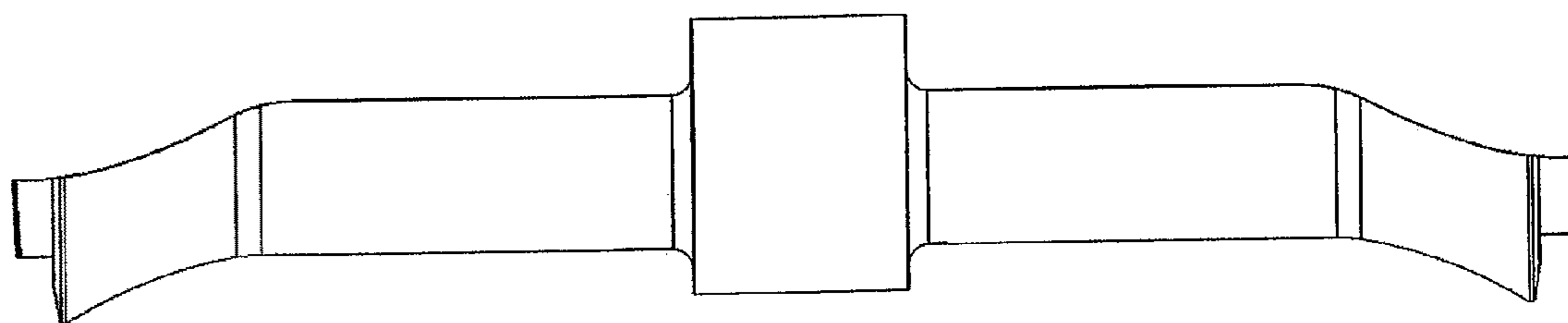


FIG. 2

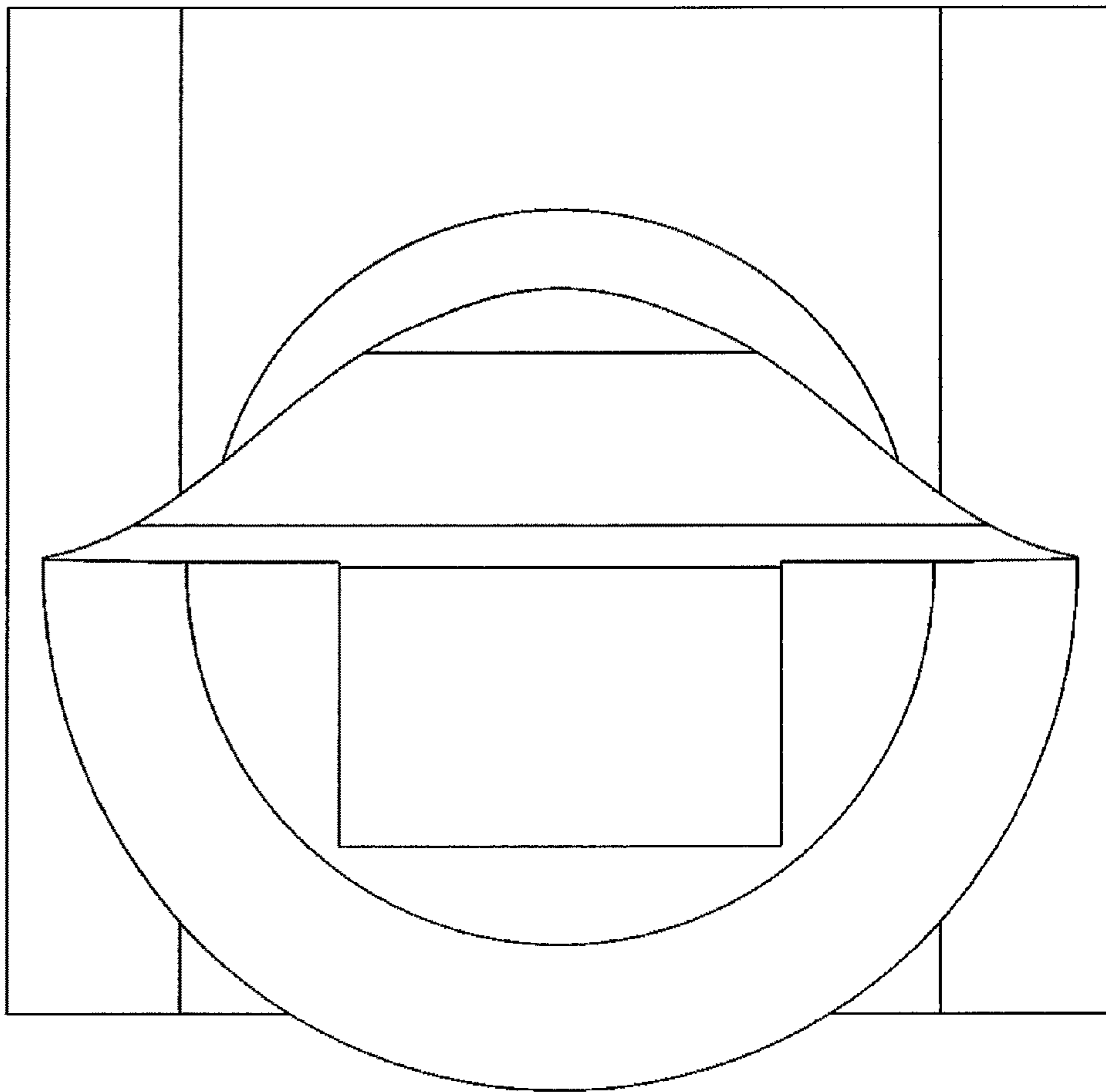


FIG. 3

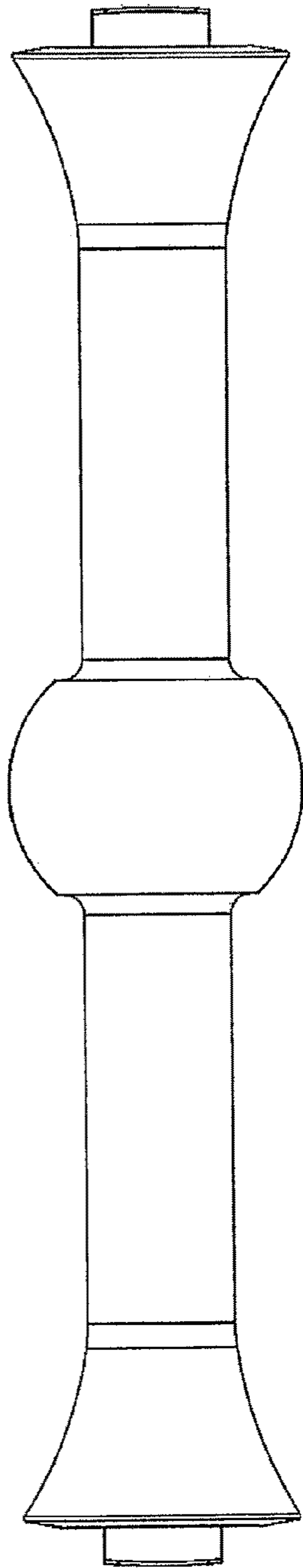


FIG. 5

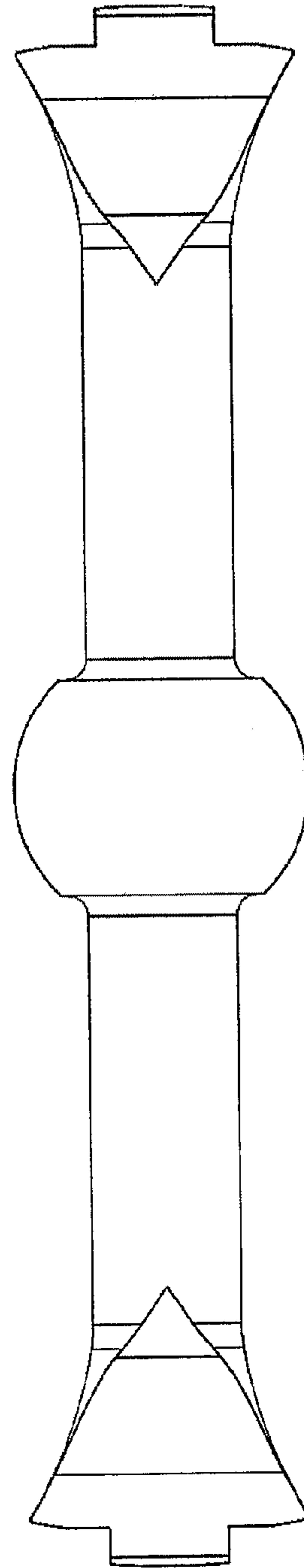


FIG. 4

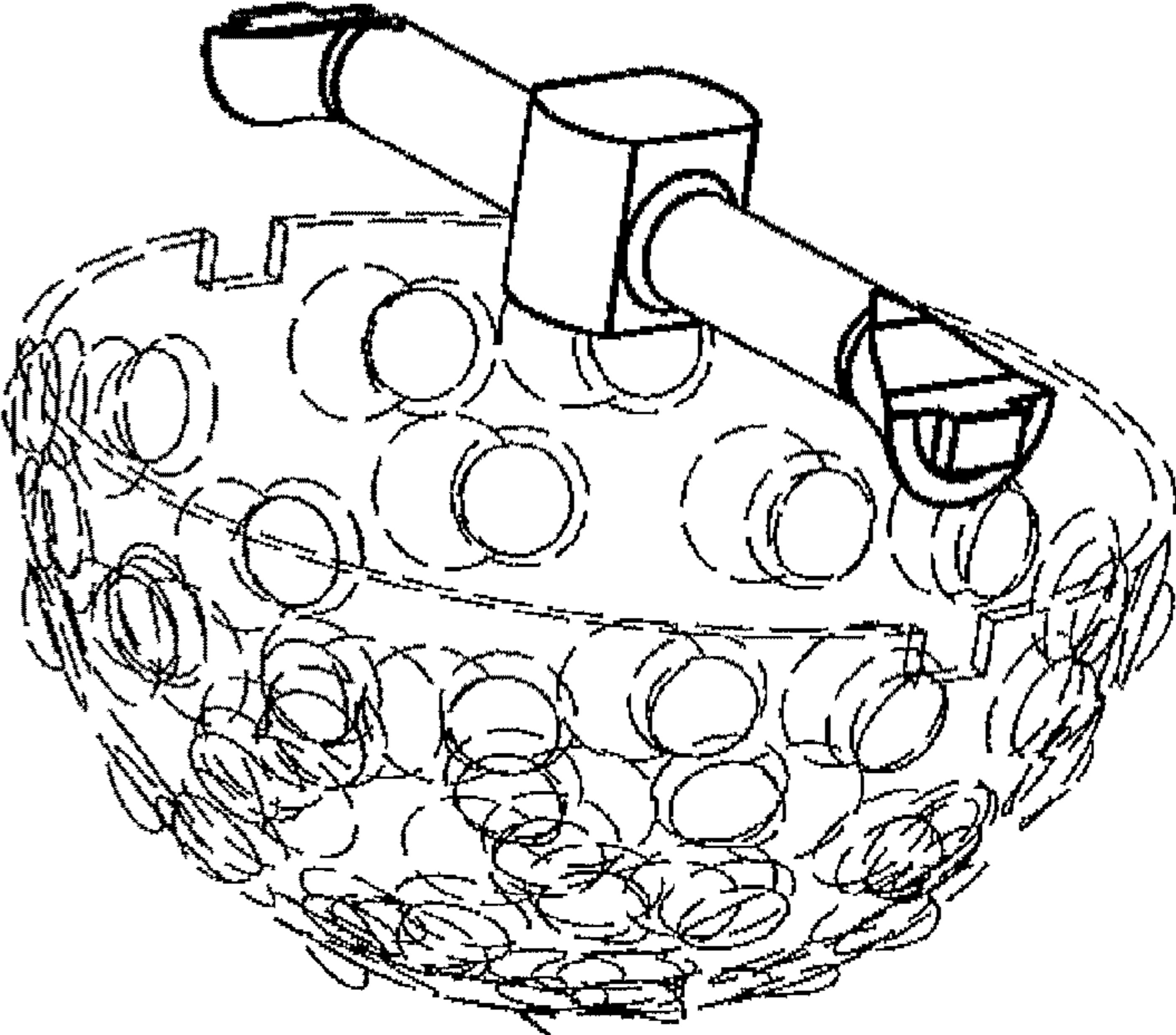


FIG. 6