

US00D736376S

(12) **United States Design Patent**  
**Lualdi et al.**

(10) **Patent No.:** **US D736,376 S**  
(45) **Date of Patent:** **\*\* Aug. 11, 2015**

(54) **MILLING TOOL FOR PROSTHETIC SURGERY OPERATIONS**

(71) Applicant: **HPF SPA**, Forgaria del Friuli (IT)

(72) Inventors: **Tommaso Lualdi**, Fagagna (IT); **Mauro Menegon**, San Francesco Fraz. Vito d'Asio (IT)

(73) Assignee: **HPF Spa**, Forgaria del Friuli (UD) (IT)

(\*\*) Term: **14 Years**

(21) Appl. No.: **29/446,785**

(22) Filed: **Feb. 27, 2013**

(30) **Foreign Application Priority Data**

Sep. 13, 2012 (EM) ..... 2102723-0001

(51) **LOC (10) Cl.** ..... **24-02**

(52) **U.S. Cl.**  
USPC ..... **D24/147**

(58) **Field of Classification Search**  
USPC ..... D7/649; D8/6-8, 80, 90, 98, 300, 397;  
D19/110; D24/127, 133, 145, 146,  
D24/147, 171; 30/151, 162, 338, 339;  
606/79, 80, 81, 82, 88, 167, 168, 169,  
606/171, 176, 297  
CPC ..... A61B 17/1671; A61B 17/14; A61B  
17/3211; A61B 17/320758; A61B 17/320092;  
A61B 17/141; A61F 9/00763  
See application file for complete search history.

(56) **References Cited**

**U.S. PATENT DOCUMENTS**

4,023,572 A 5/1977 Weigand et al.  
5,203,653 A 4/1993 Kudla  
5,376,092 A 12/1994 Hein et al.  
5,578,037 A \* 11/1996 Sanders et al. .... 606/80  
6,475,221 B1 11/2002 White et al.  
6,730,094 B2 5/2004 Salyer et al.  
7,217,272 B2 5/2007 Salyer

D579,562 S \* 10/2008 Anderson et al. .... D24/133  
7,588,572 B2 \* 9/2009 White et al. .... 606/80  
7,749,227 B2 \* 7/2010 Lechot et al. .... 606/80  
D654,591 S \* 2/2012 Gunnensen ..... D24/151  
D700,322 S \* 2/2014 Kleiner ..... D24/133  
2003/0216716 A1 \* 11/2003 Desarzens ..... 606/1  
2005/0251145 A1 \* 11/2005 Desarzens et al. .... 606/80  
2007/0142840 A1 6/2007 Goodwin et al.  
2008/0255562 A1 \* 10/2008 Gil et al. .... 606/79  
2009/0043312 A1 \* 2/2009 Koullis et al. .... 606/99  
2012/0022539 A1 \* 1/2012 Lualdi ..... 606/81  
2012/0078315 A1 \* 3/2012 Sweeney ..... 606/86 A  
2012/0083787 A1 \* 4/2012 Oren et al. .... 606/79

**FOREIGN PATENT DOCUMENTS**

DE 102005058107 7/2007  
DE 102014106373 A1 \* 11/2014

\* cited by examiner

*Primary Examiner* — Robert M Spear

*Assistant Examiner* — Marissa J Cash

(74) *Attorney, Agent, or Firm* — Rankin, Hill & Clark LLP

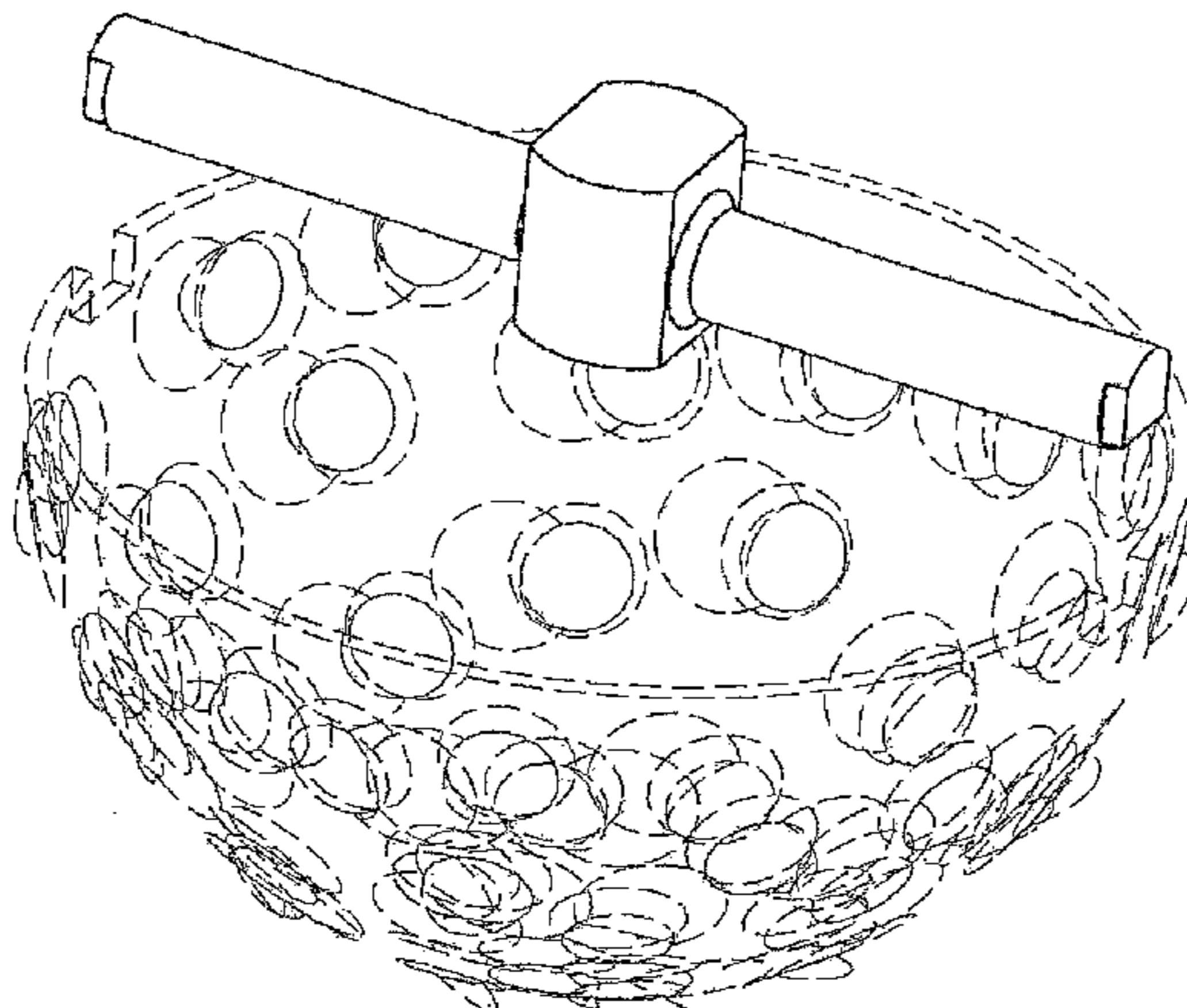
(57) **CLAIM**

The ornamental design for a milling tool for prosthetic surgery operations, as shown and described.

**DESCRIPTION**

FIG. 1 is a perspective view of a milling tool for prosthetic surgery operations shown in an environment of use in a cap body;  
FIG. 2 is a perspective view of the milling tool for prosthetic surgery operations is a top plan view thereof;  
FIG. 3 is a left end view thereof; the right end view being the same as the left end view;  
FIG. 4 is a front view thereof; the rear view being the same as the front view; and,  
FIG. 5 is a top view thereof; the bottom view being the same as the top view.  
The broken lines in the drawings represent unclaimed environmental subject matter and form no part of the claim.

**1 Claim, 3 Drawing Sheets**



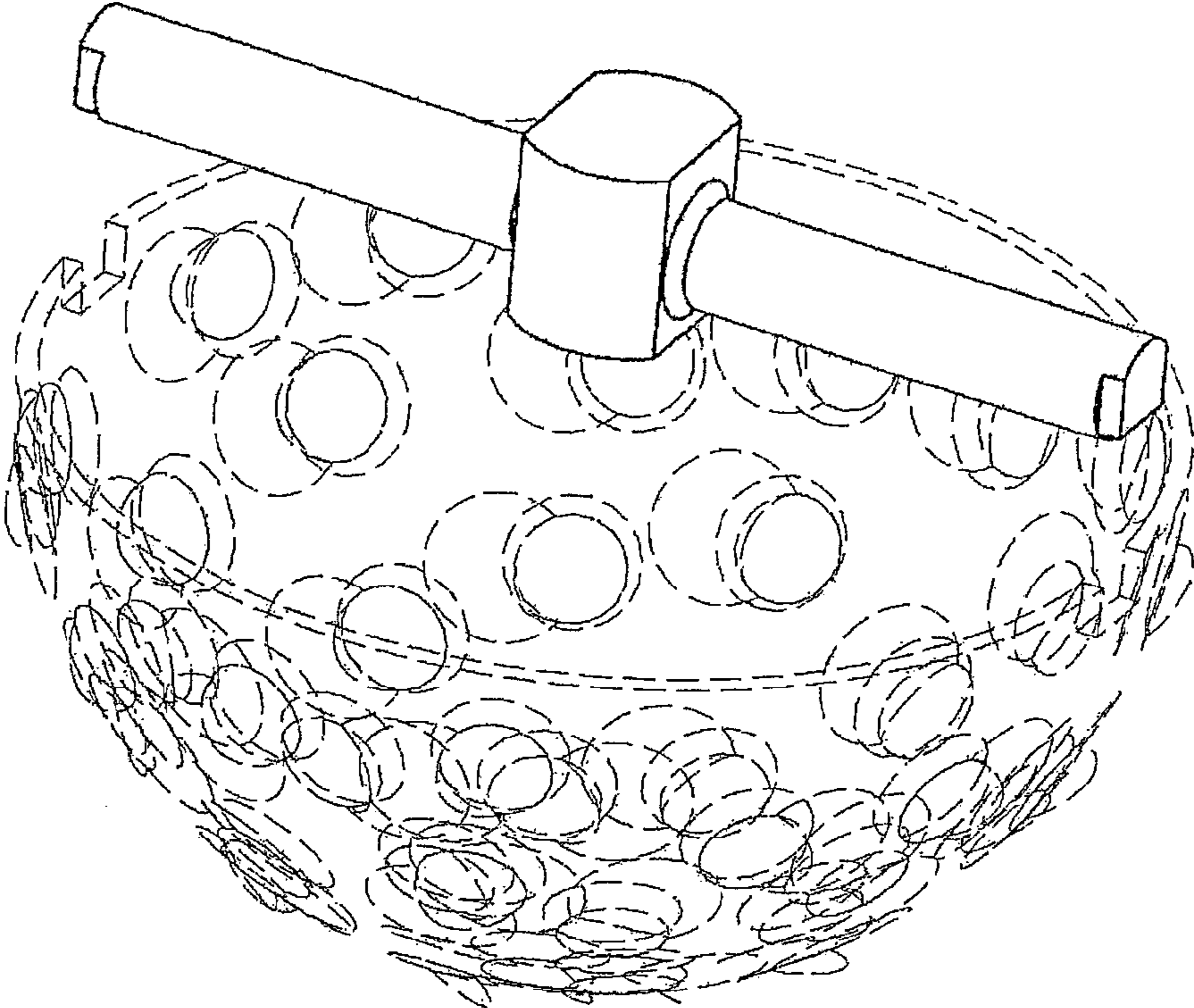


FIG. 1

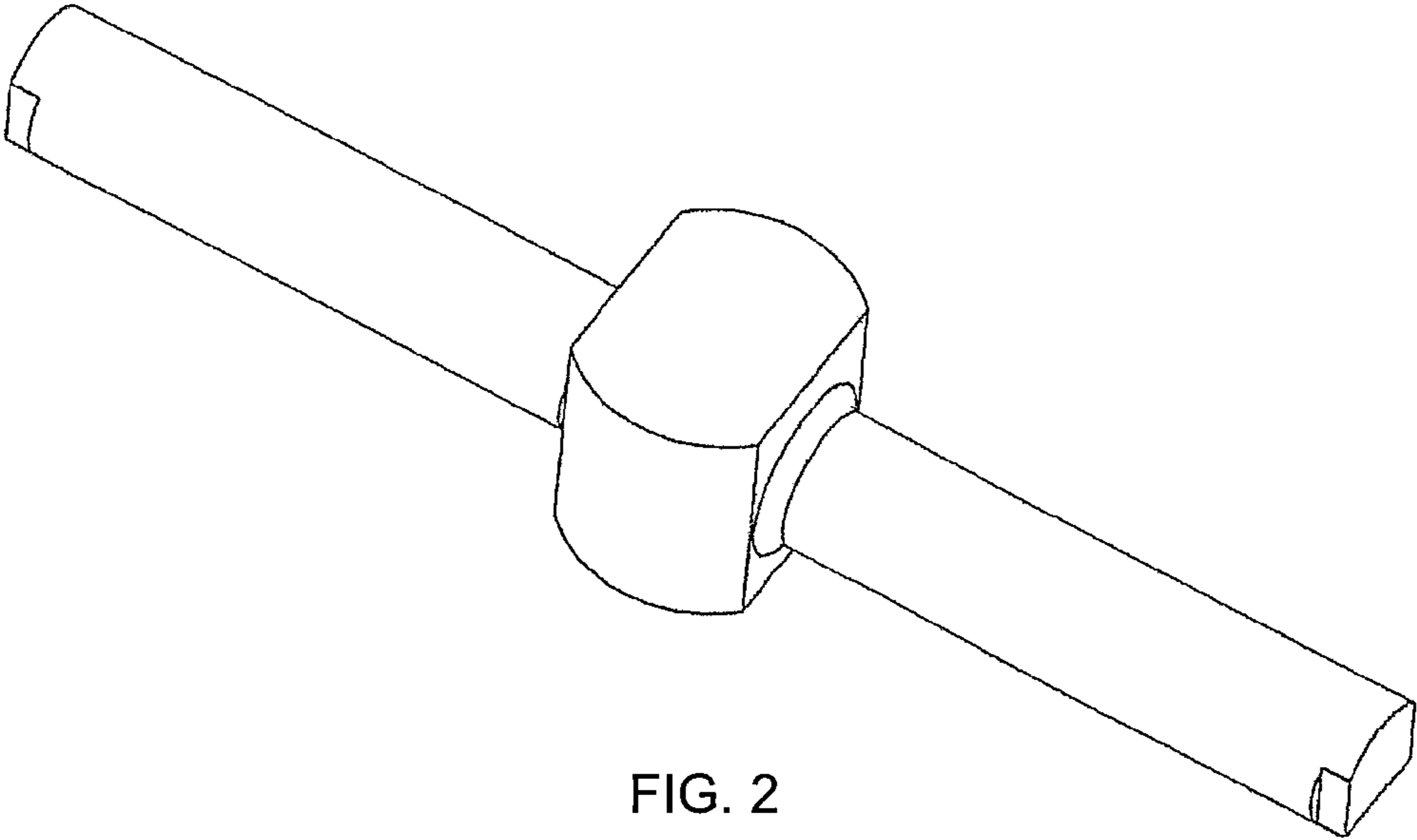


FIG. 2

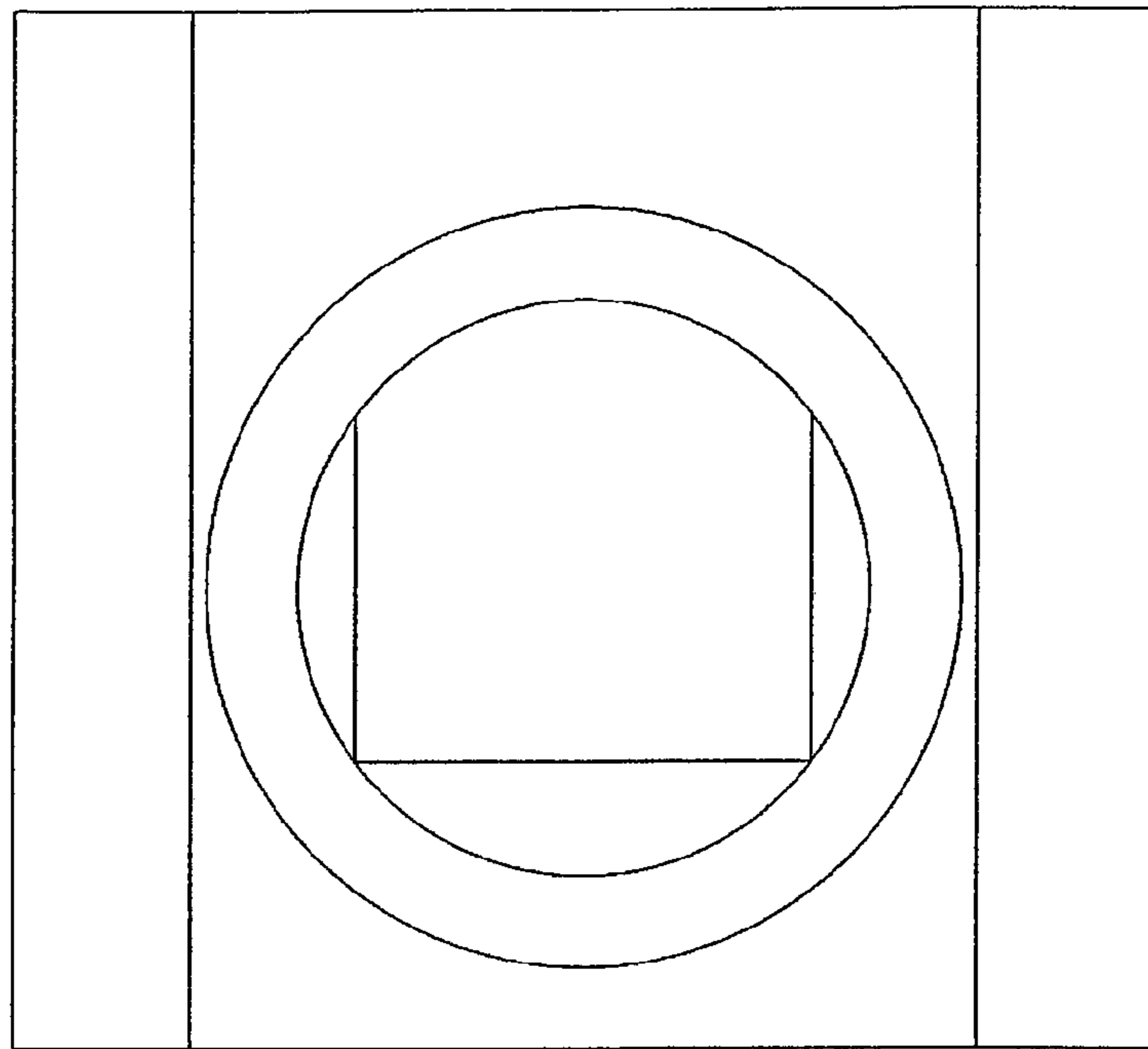


FIG. 3

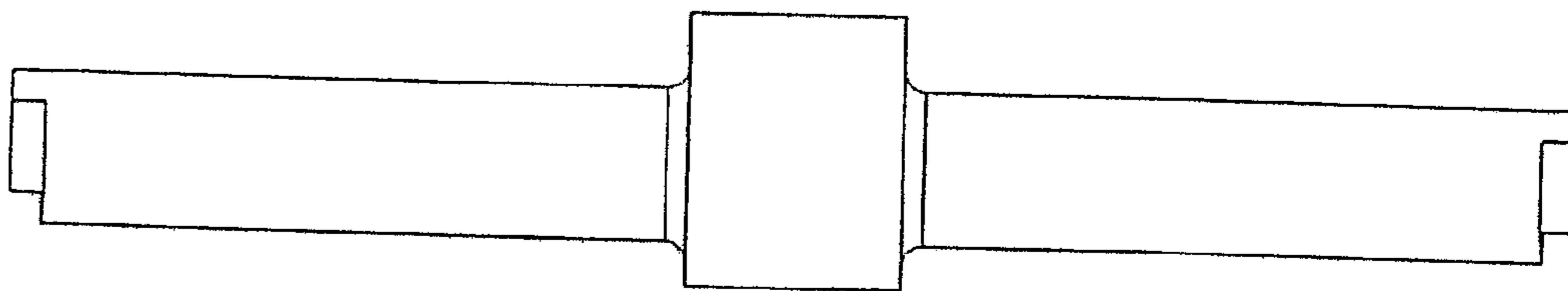


FIG. 4

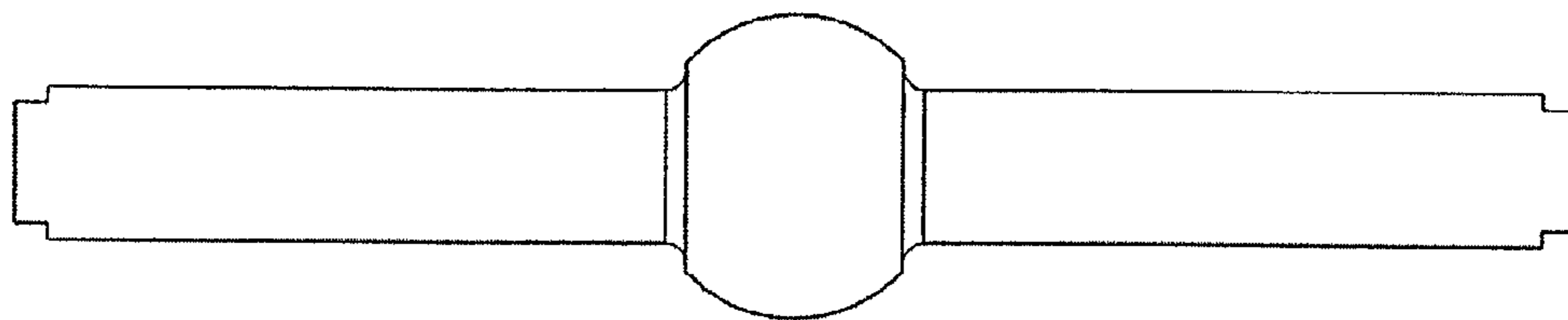


FIG. 5