

US00D736375S

(12) **United States Design Patent**  
**Murakami et al.**

(10) **Patent No.:** **US D736,375 S**  
(45) **Date of Patent:** **\*\* Aug. 11, 2015**

(54) **LANCET HOLDER**

(71) Applicant: **ARKRAY, INC.**, Kyoto (JP)

(72) Inventors: **Shinsui Murakami**, Kyoto (JP);  
**Masahiko Fukuzawa**, Kyoto (JP);  
**Kazuyoshi Kamekawa**, Kyoto (JP)

(73) Assignee: **ARKRAY, Inc.**, Kyoto (JP)

(\*\*) Term: **14 Years**

(21) Appl. No.: **29/477,211**

(22) Filed: **Dec. 19, 2013**

(30) **Foreign Application Priority Data**

Jun. 21, 2013 (JP) ..... 2013-014079

(51) **LOC (10) Cl.** ..... **24-02**

(52) **U.S. Cl.**  
USPC ..... **D24/146**

(58) **Field of Classification Search**  
USPC ..... D24/146, 147, 130, 133, 113, 114;  
600/385, 573, 583; 606/167, 172,  
606/181-185; 210/453  
CPC ..... A61B 17/32053; A61B 17/3494;  
A61K 45/06  
See application file for complete search history.

(56) **References Cited**

**U.S. PATENT DOCUMENTS**

D429,814 S \* 8/2000 Lorwald et al. .... D24/147  
6,575,939 B1 \* 6/2003 Brunel ..... 604/187  
D493,532 S \* 7/2004 Levaughn et al. .... D24/146

D560,805 S \* 1/2008 Young et al. .... D24/146  
D586,916 S \* 2/2009 Faulkner et al. .... D24/146  
D612,051 S \* 3/2010 Ruf ..... D24/146  
D617,904 S \* 6/2010 Lai ..... D24/146  
D621,042 S \* 8/2010 Ruf ..... D24/146  
D628,293 S \* 11/2010 Ruf ..... D24/146  
D634,426 S \* 3/2011 Zollers ..... D24/147  
D676,546 S \* 2/2013 Lovell et al. .... D24/113  
8,568,434 B2 \* 10/2013 Huang et al. .... 606/182  
D696,775 S \* 12/2013 Guarraia et al. .... D24/113  
D697,205 S \* 1/2014 Schneider et al. .... D24/113  
8,663,265 B2 \* 3/2014 Nicholls et al. .... 606/182  
2006/0100655 A1 \* 5/2006 Leong et al. .... 606/181

\* cited by examiner

*Primary Examiner* — Ian Simmons

*Assistant Examiner* — Carissa C Fitts

(74) *Attorney, Agent, or Firm* — Studebaker & Brackett PC

(57) **CLAIM**

We claim the ornamental design for a lancet holder, as shown and described.

**DESCRIPTION**

FIG. 1 is a perspective view of a lancet holder according to my design;  
FIG. 2 is a front view of the same;  
FIG. 3 is a rear view of the same;  
FIG. 4 is a left side view of the same;  
FIG. 5 is a right side view of the same;  
FIG. 6 is a top plan view of the same; and,  
FIG. 7 is a bottom view of the same.  
The broken lines showing a lancet head and operating elements in FIGS. 1-7 are for illustrative purposes only and form no part of the claimed design.

**1 Claim, 4 Drawing Sheets**

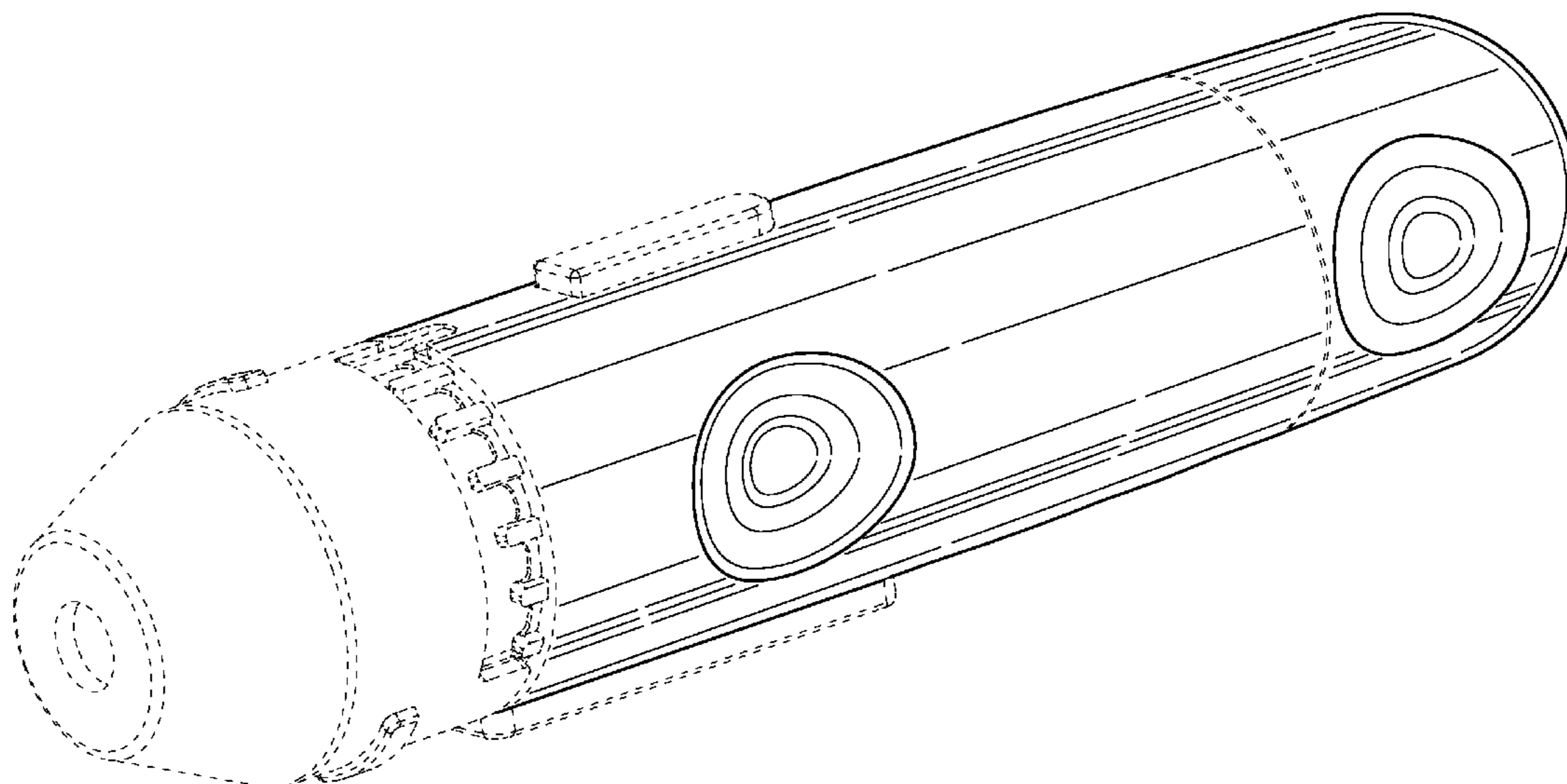


FIG. 1

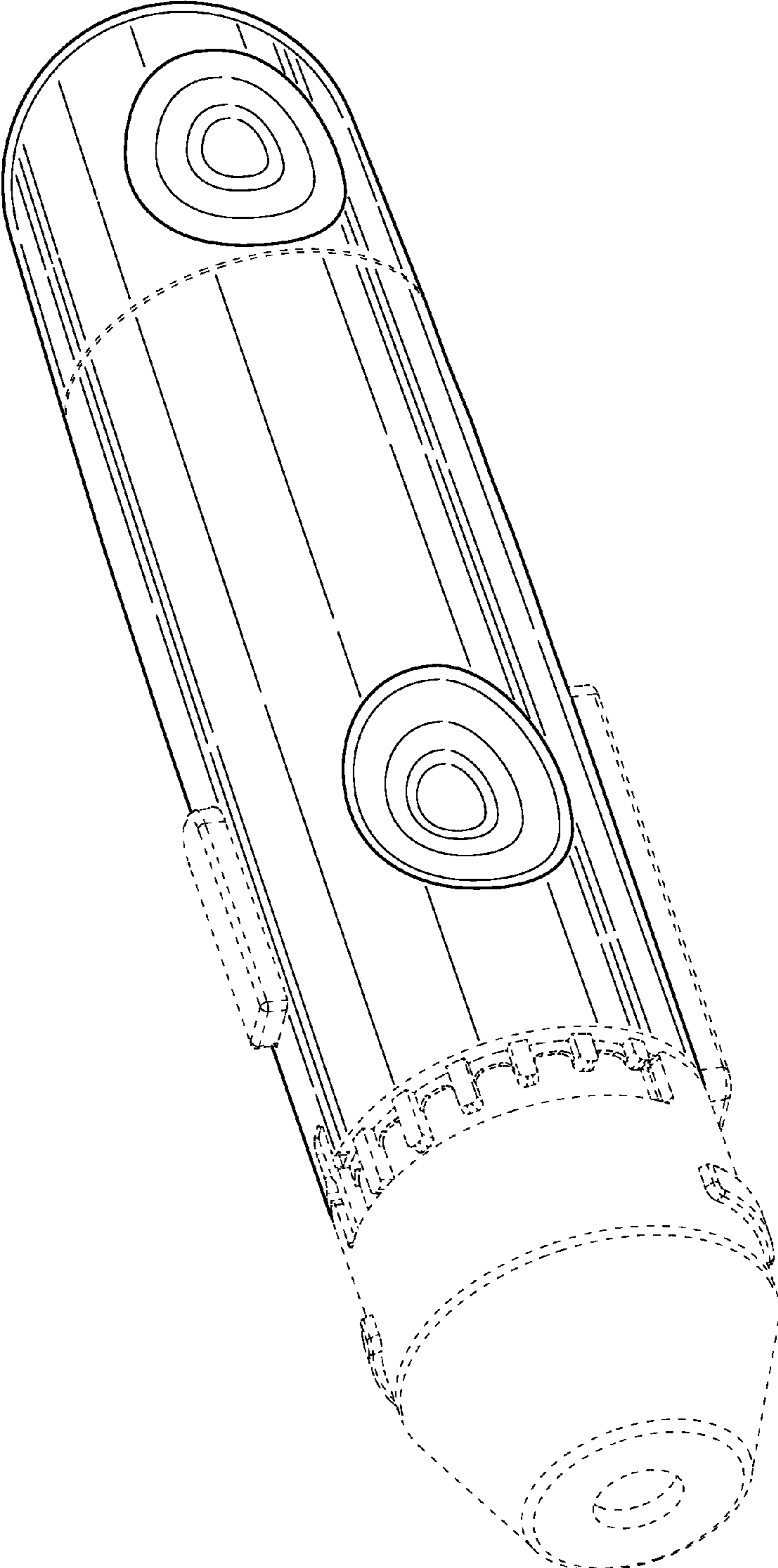


FIG. 2

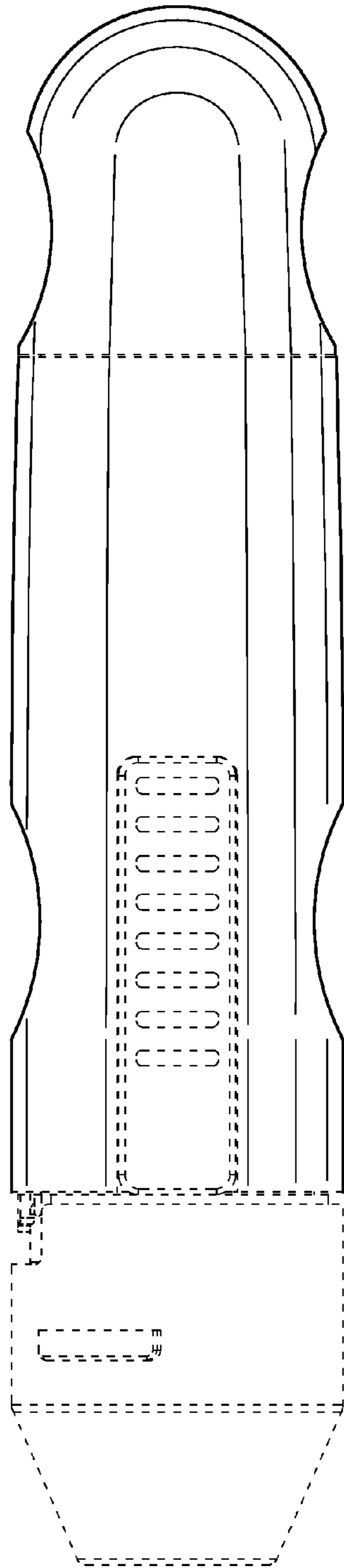


FIG. 3

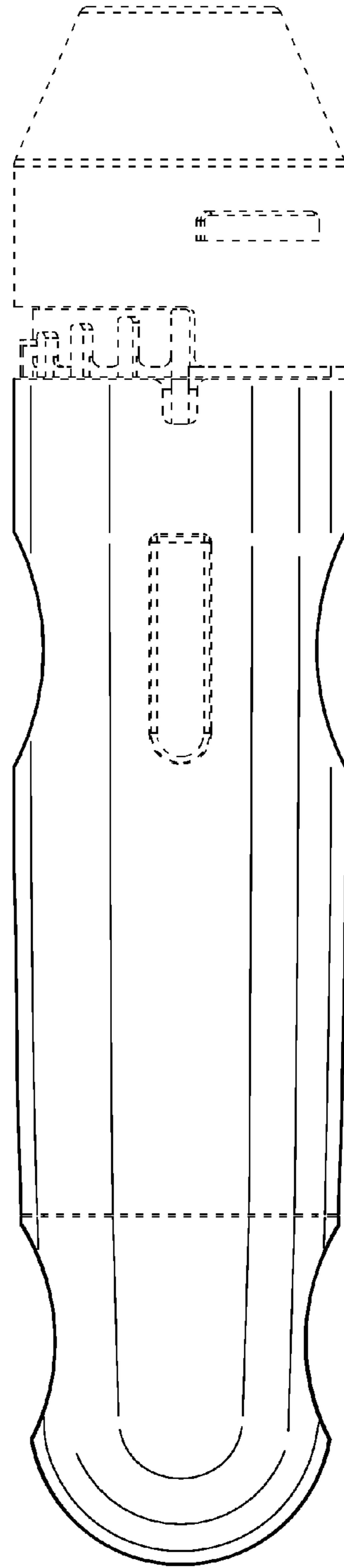


FIG. 5

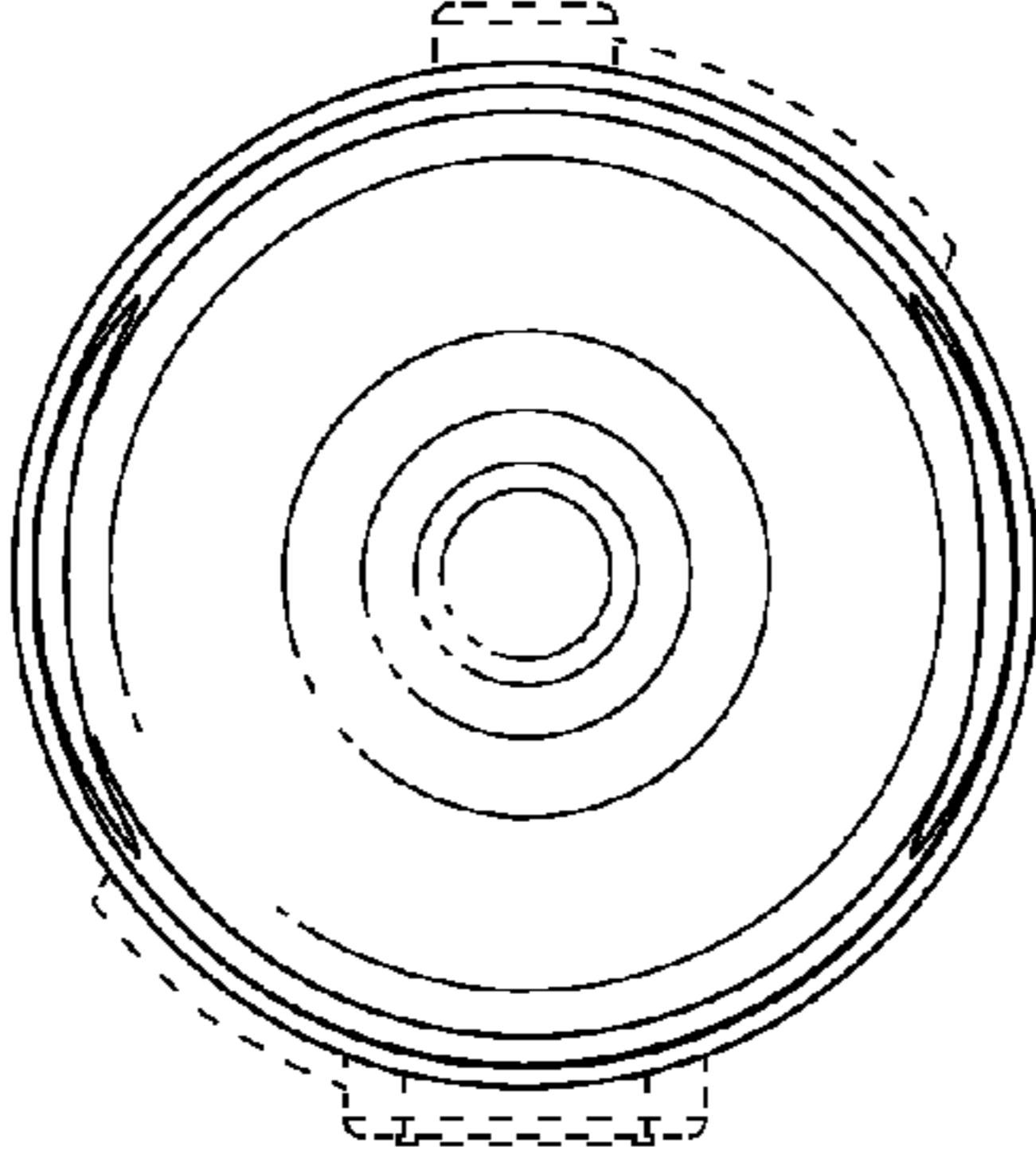


FIG. 4

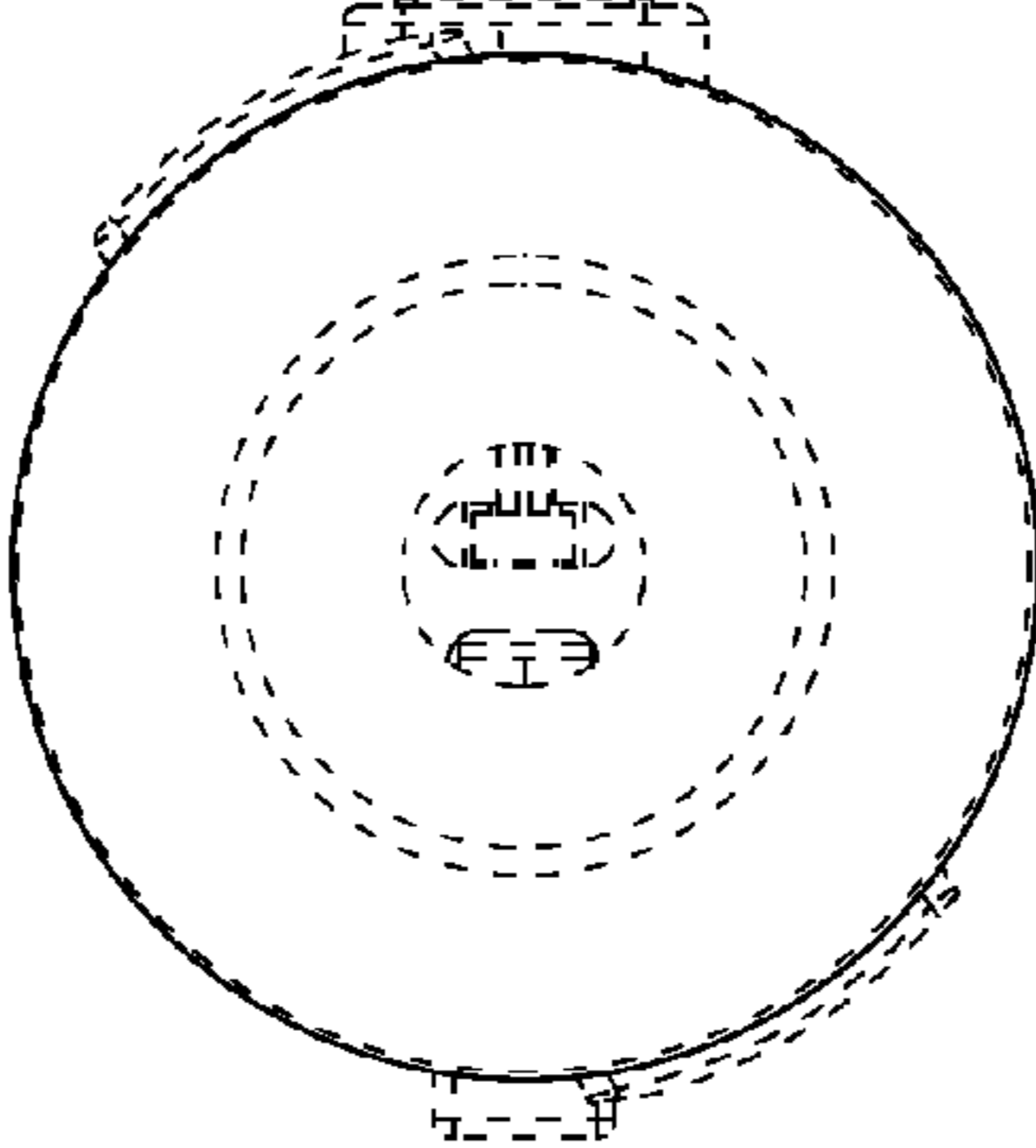


FIG. 6

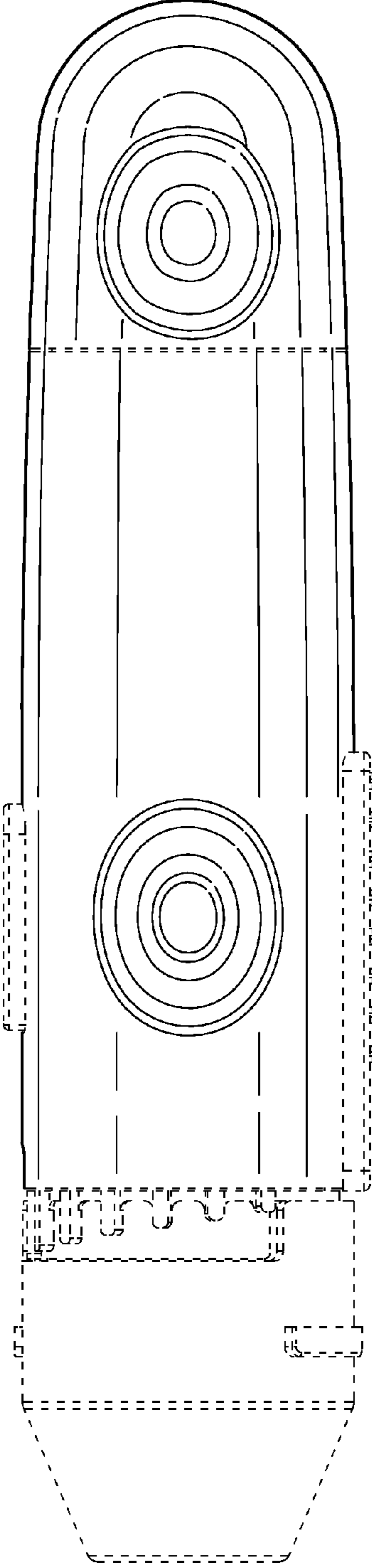


FIG. 7

