



US00D736374S

(12) **United States Design Patent**
Murakami et al.

(10) **Patent No.:** **US D736,374 S**

(45) **Date of Patent:** **** Aug. 11, 2015**

(54) **LANCET**

(71) Applicant: **ARKRAY, INC.**, Kyoto (JP)

(72) Inventors: **Shinsui Murakami**, Kyoto (JP);
Masahiko Fukuzawa, Kyoto (JP);
Kazuyoshi Kamekawa, Kyoto (JP)

(73) Assignee: **ARKRAY, Inc.**, Kyoto (JP)

(**) Term: **14 Years**

(21) Appl. No.: **29/477,210**

(22) Filed: **Dec. 19, 2013**

(30) **Foreign Application Priority Data**

Jun. 21, 2013 (JP) 2013-014077

Jun. 21, 2013 (JP) 2013-014078

(51) **LOC (10) Cl.** **24-02**

(52) **U.S. Cl.**
USPC **D24/146**

(58) **Field of Classification Search**
USPC D24/146, 147, 130, 133, 113, 114;
600/385, 573, 583; 606/167, 172,
606/181-185; 210/453
CPC A61B 17/32053; A61B 17/3494;
A61K 45/06

See application file for complete search history.

(56) **References Cited**

U.S. PATENT DOCUMENTS

D429,814 S * 8/2000 Lorwald et al. D24/147
6,575,939 B1 * 6/2003 Brunel 604/187
D493,532 S * 7/2004 Levaughn et al. D24/146
D560,805 S * 1/2008 Young et al. D24/146
D586,916 S * 2/2009 Faulkner et al. D24/146
D612,051 S * 3/2010 Ruf D24/146
D617,904 S * 6/2010 Lai D24/146

D621,042 S * 8/2010 Ruf D24/146
D628,293 S * 11/2010 Ruf D24/146
D634,426 S * 3/2011 Zollers D24/147
D676,546 S * 2/2013 Lovell et al. D24/113
8,568,434 B2 * 10/2013 Huang et al. 606/182
D696,775 S * 12/2013 Guarraia et al. D24/113
D697,205 S * 1/2014 Schneider et al. D24/113
8,663,265 B2 * 3/2014 Nicholls et al. 606/182
2006/0100655 A1 * 5/2006 Leong et al. 606/181

* cited by examiner

Primary Examiner — Ian Simmons

Assistant Examiner — Carissa C Fitts

(74) *Attorney, Agent, or Firm* — Studebaker & Brackett PC

(57) **CLAIM**

We claim the ornamental design for a lancet, as shown and described.

DESCRIPTION

FIG. 1 is a perspective view of a lancet according to a first embodiment of my design;

FIG. 2 is a front view of the same;

FIG. 3 is a rear view of the same;

FIG. 4 is a left side view of the same;

FIG. 5 is a right side view of the same;

FIG. 6 is a top plan view of the same;

FIG. 7 is a bottom view of the same;

FIG. 8 is a perspective view of a lancet according to a second embodiment of my design;

FIG. 9 is a front view of the same;

FIG. 10 is a rear view of the same;

FIG. 11 is a left side view of the same;

FIG. 12 is a right side view of the same;

FIG. 13 is a top plan view of the same; and,

FIG. 14 is a bottom view of the same.

The broken line showing in FIGS. 4 and 11 represents unclaimed portions of the design article and forms no part of the claimed design.

1 Claim, 8 Drawing Sheets

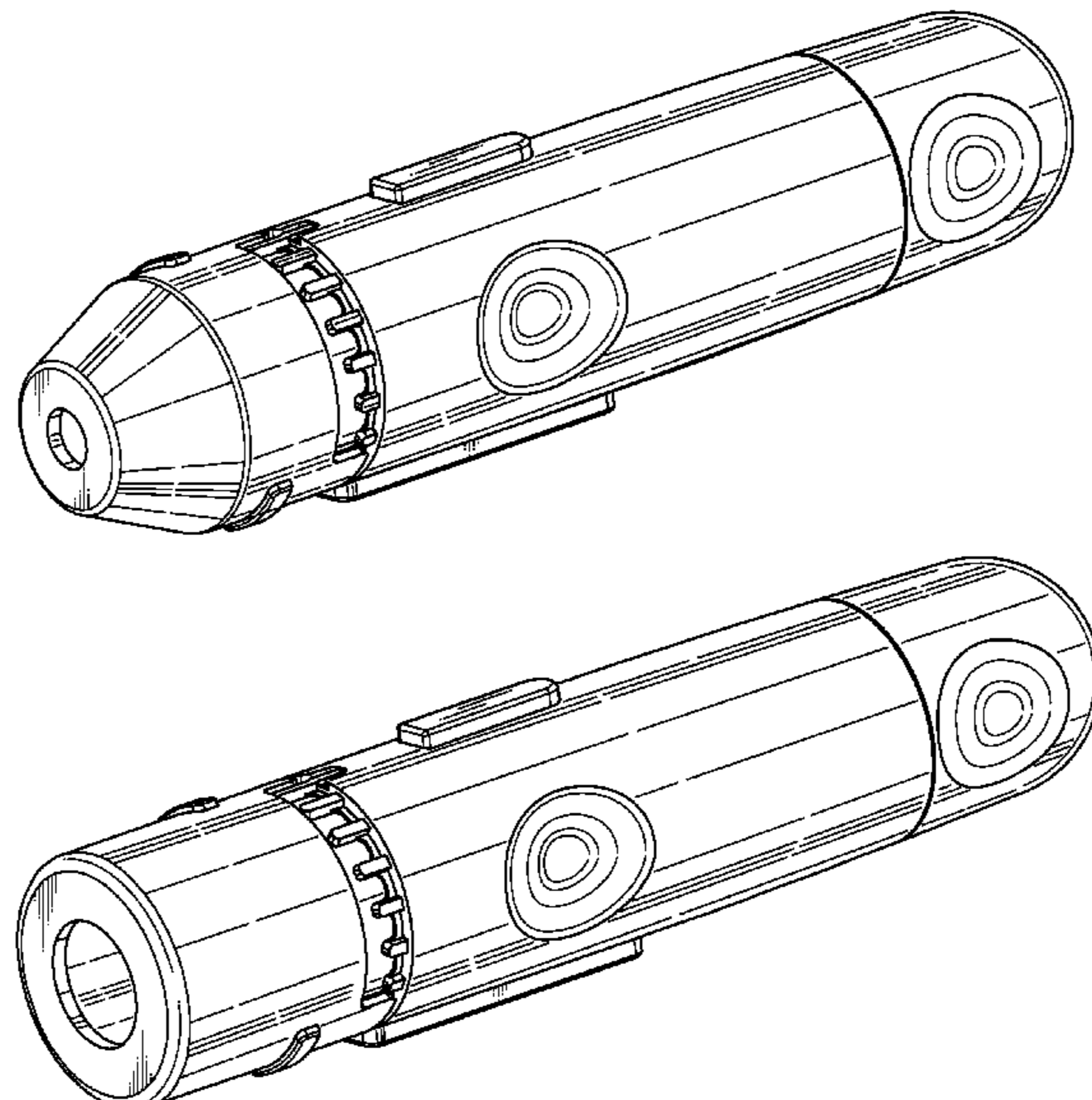


Fig. 1

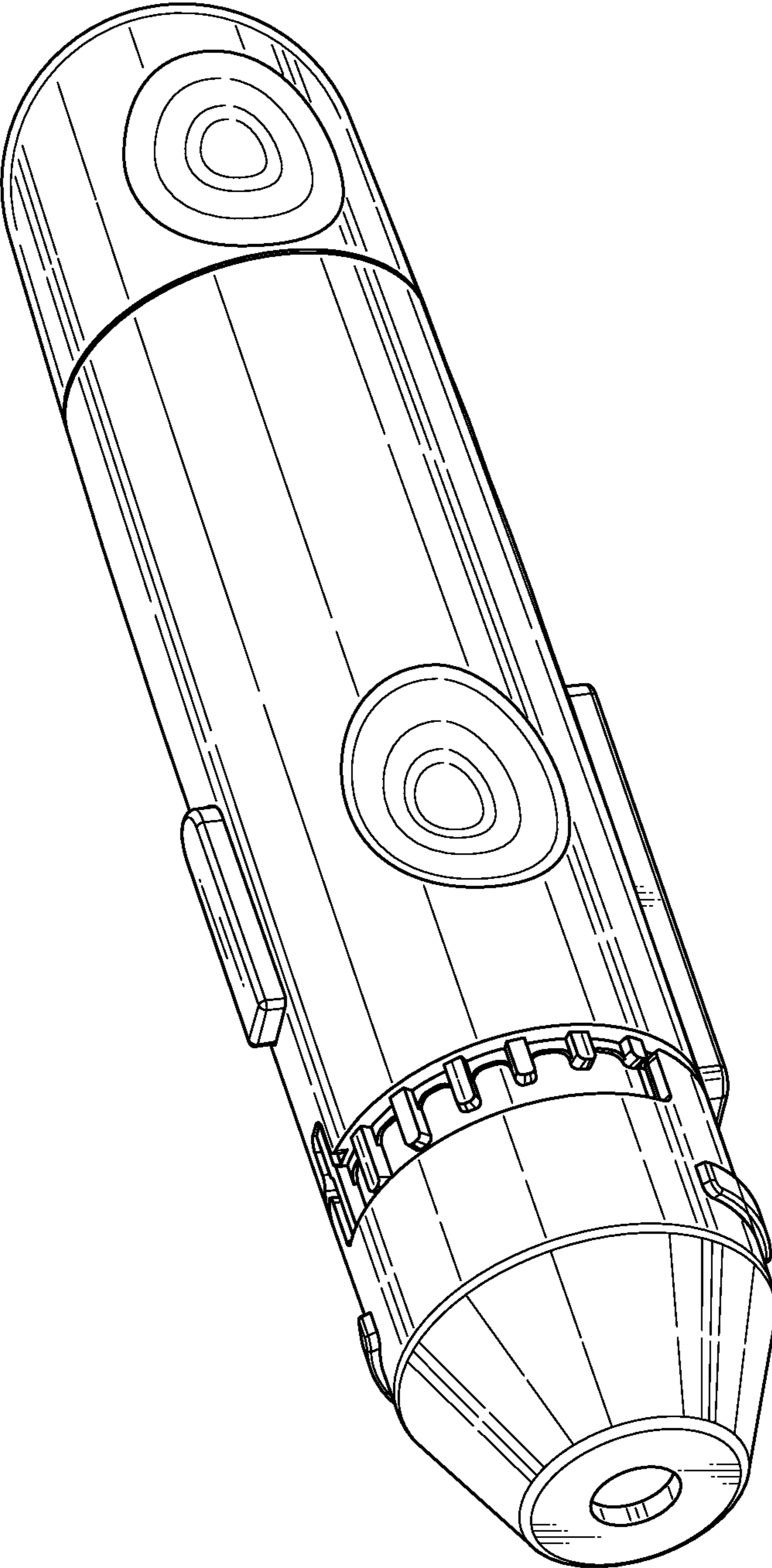


Fig. 2

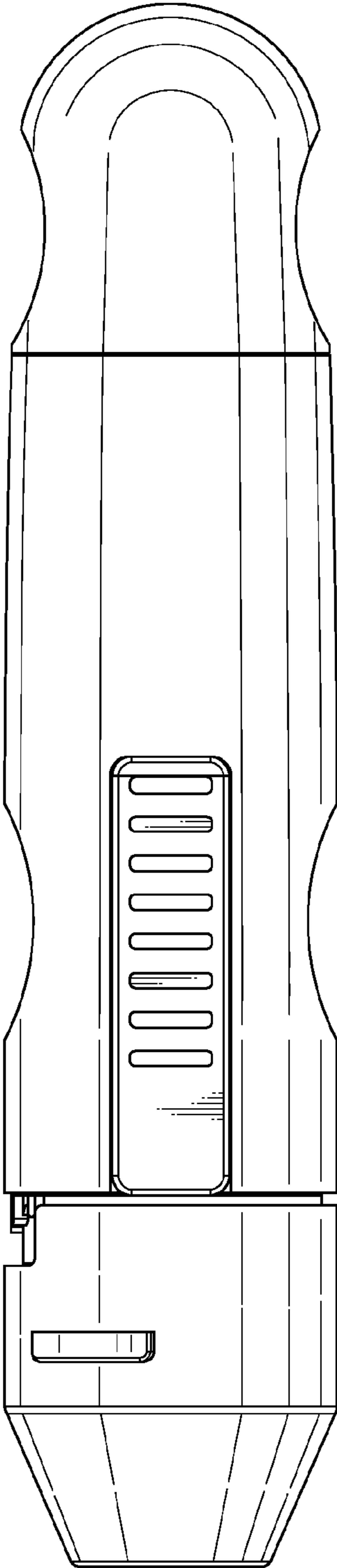


Fig. 3

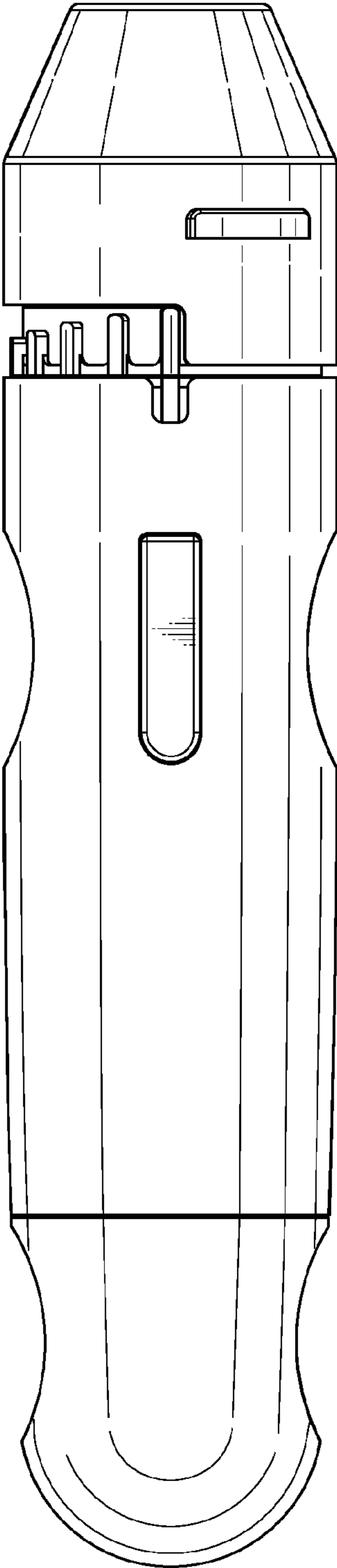


Fig. 5

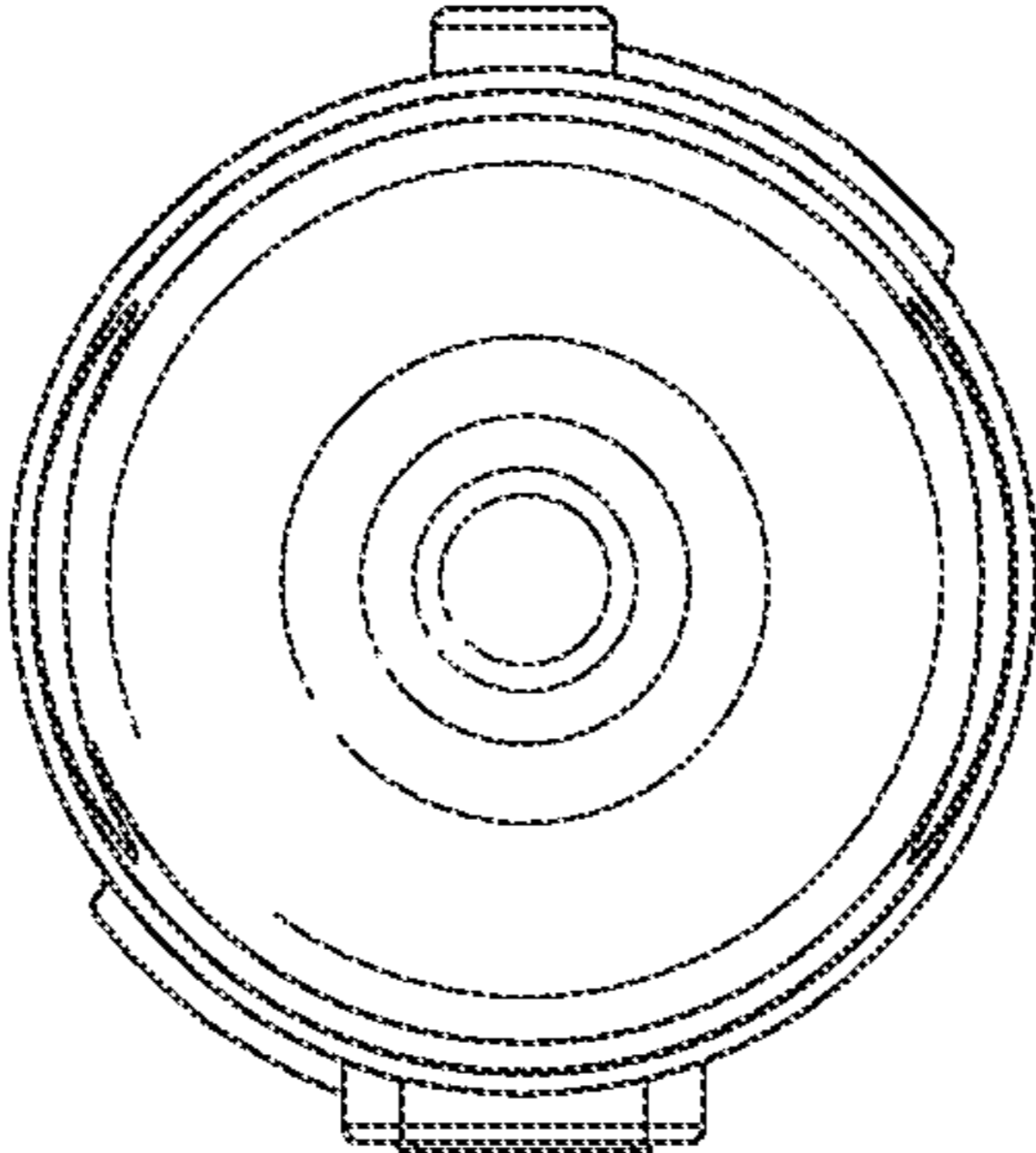


Fig. 4

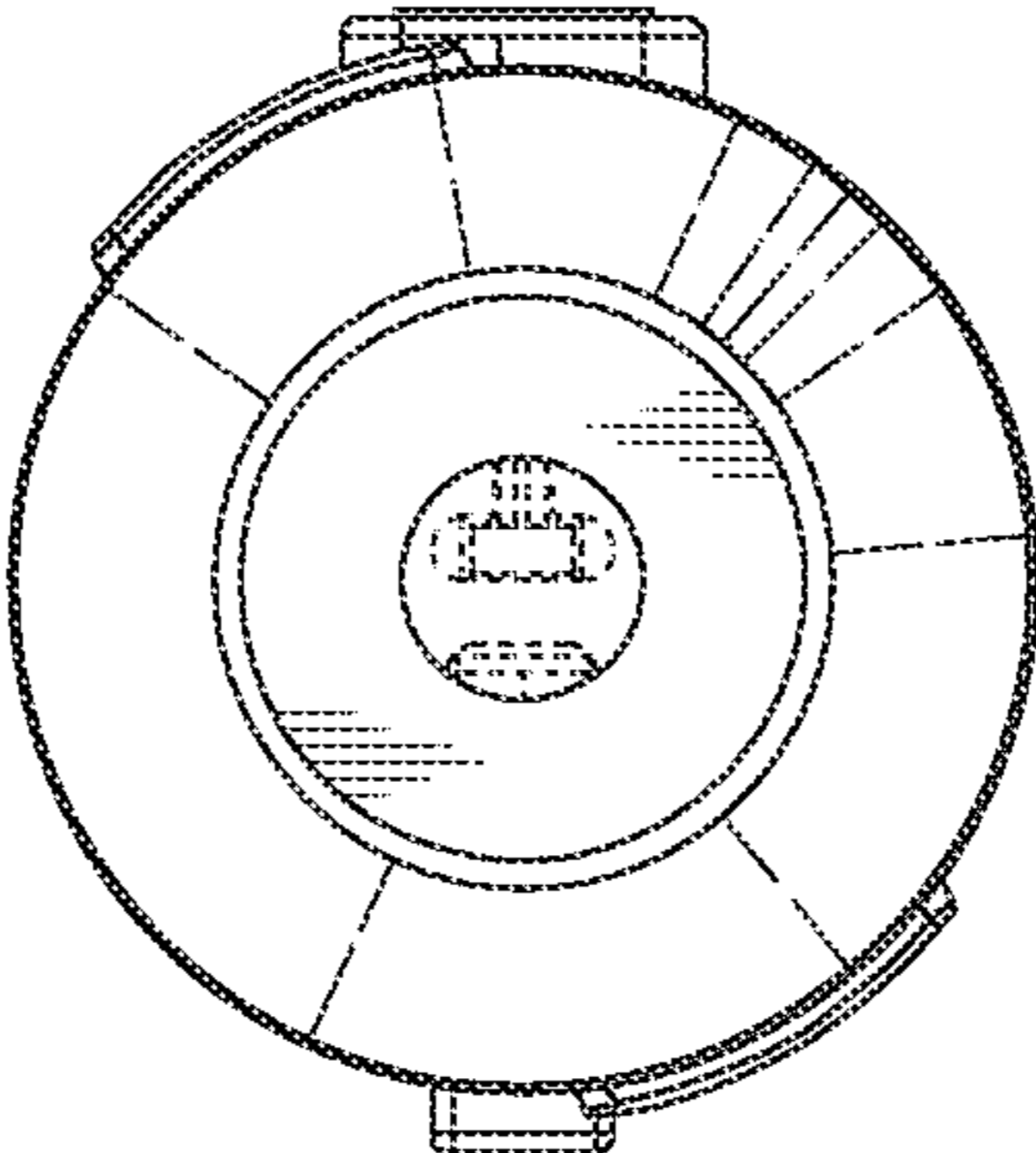


Fig. 6

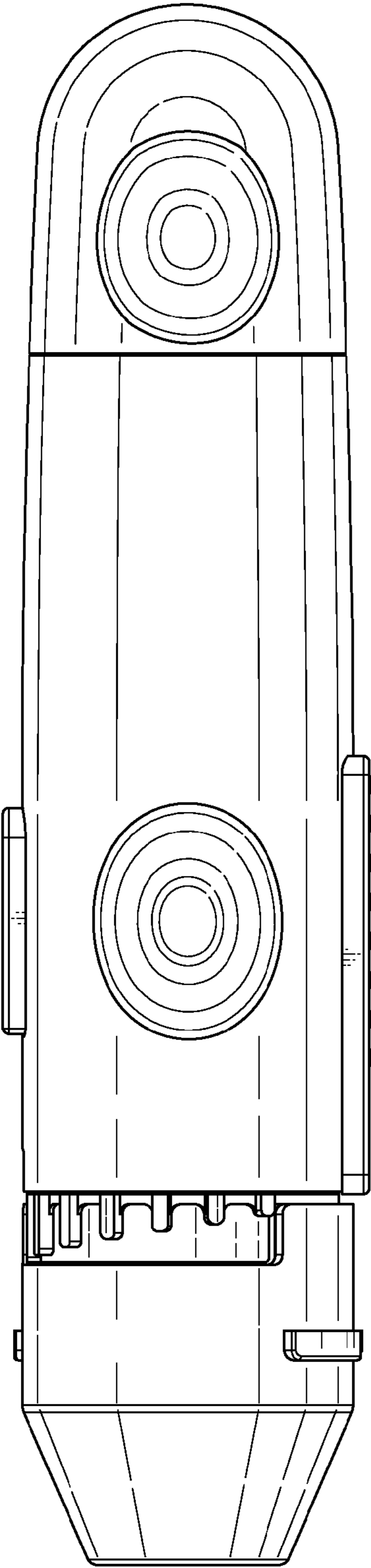


Fig. 7

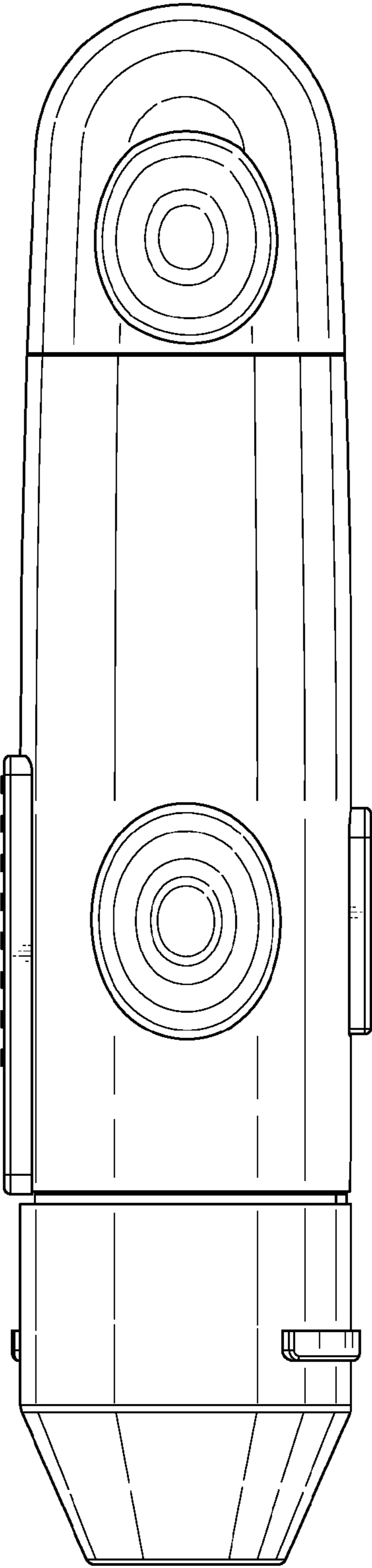


Fig. 8

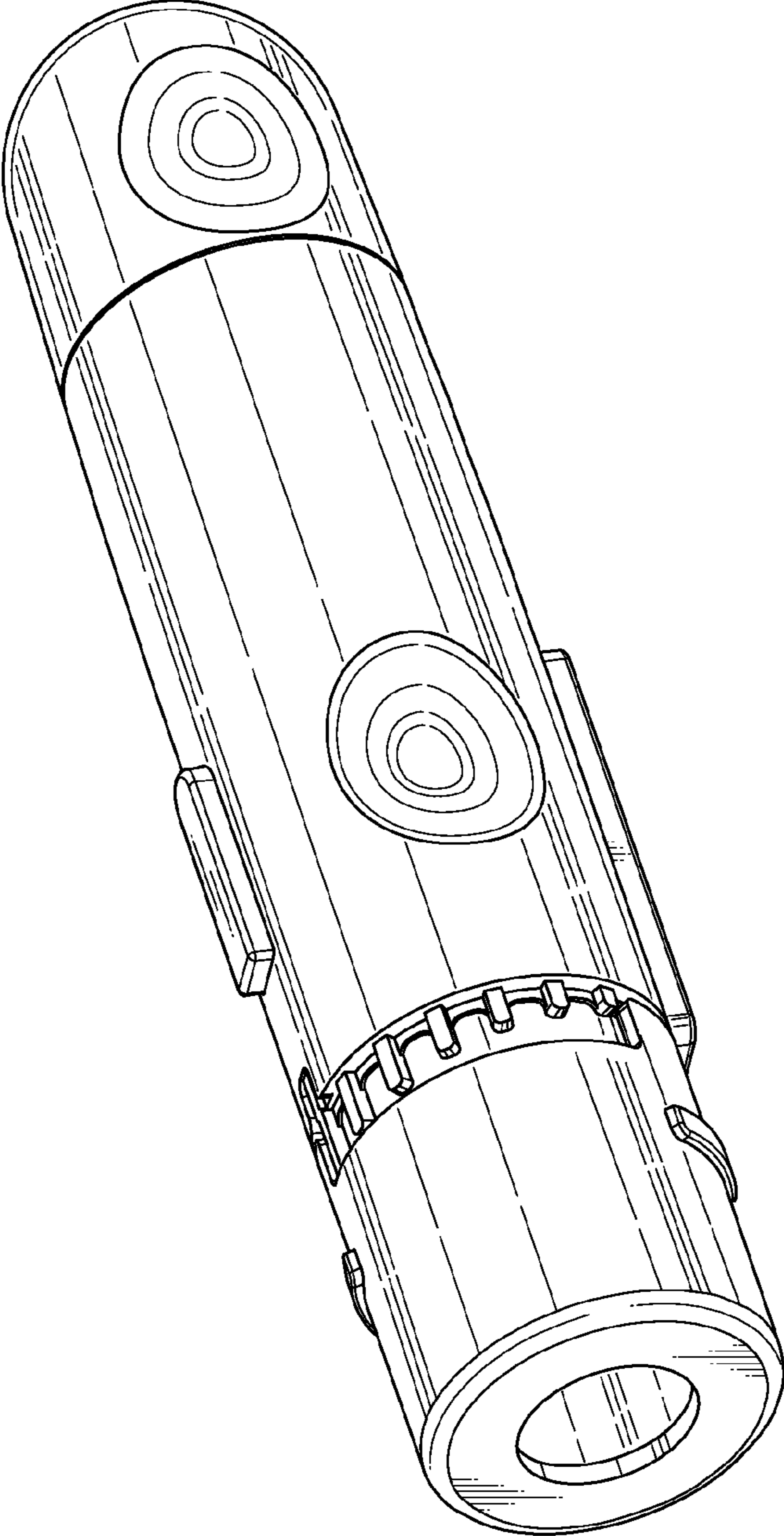


Fig. 9

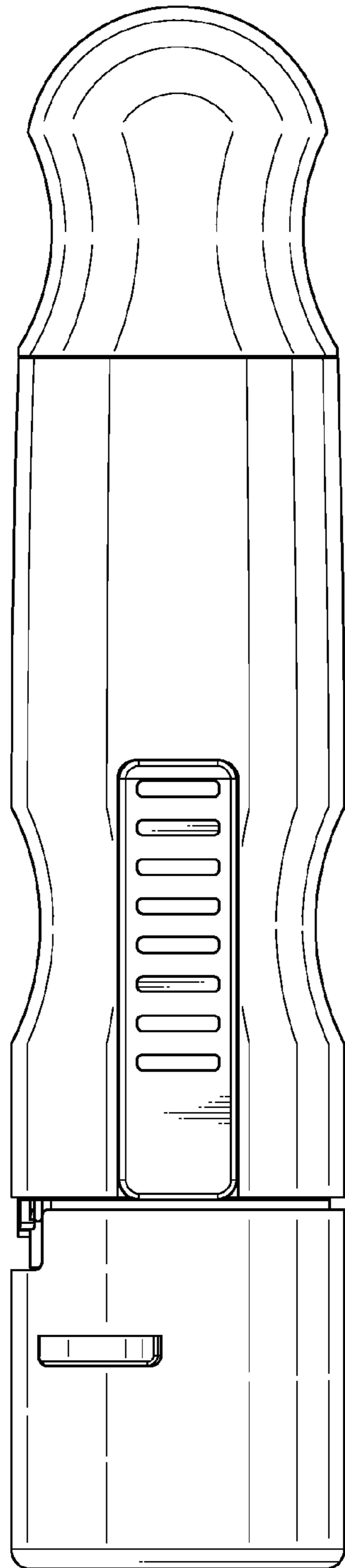


Fig. 10

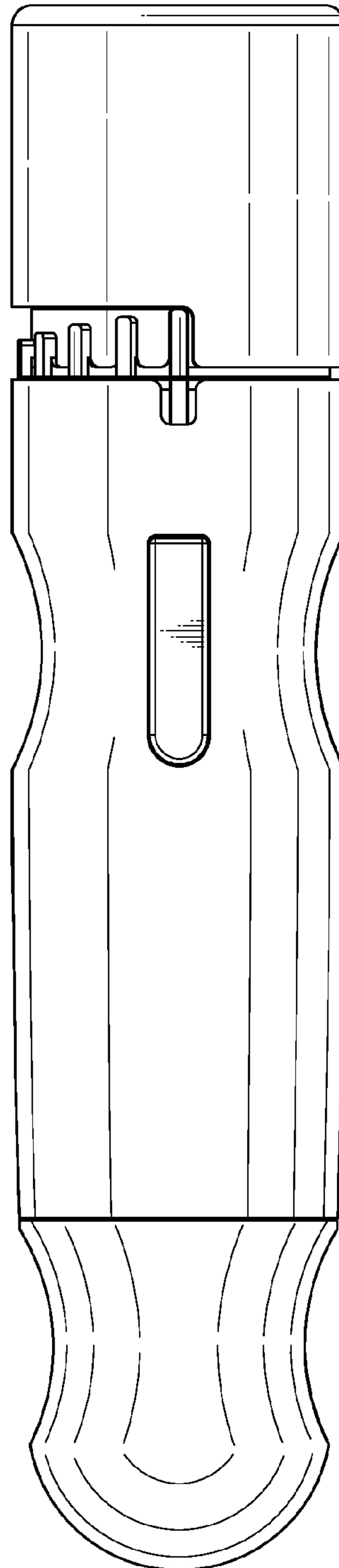


Fig. 12

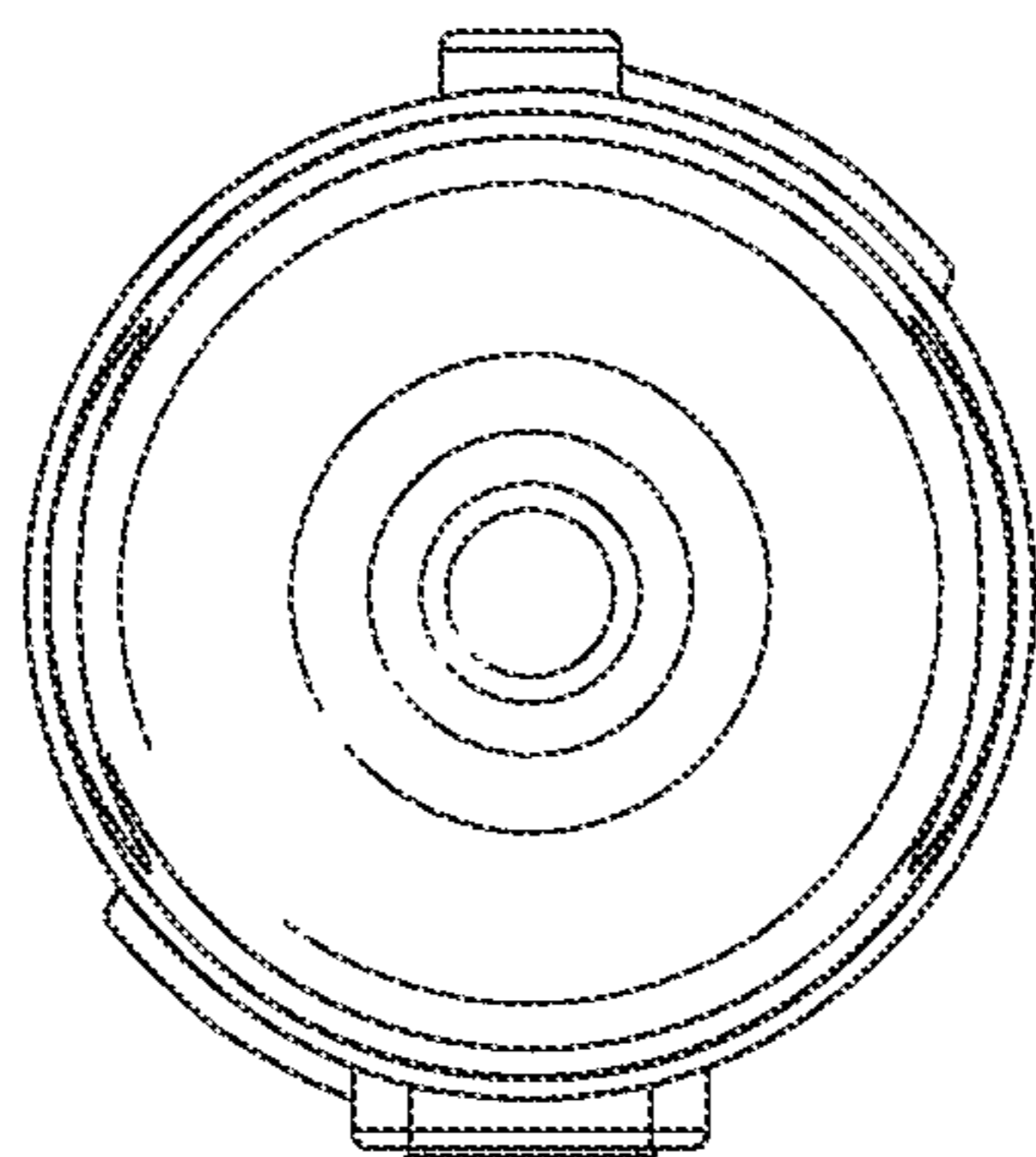


Fig. 11

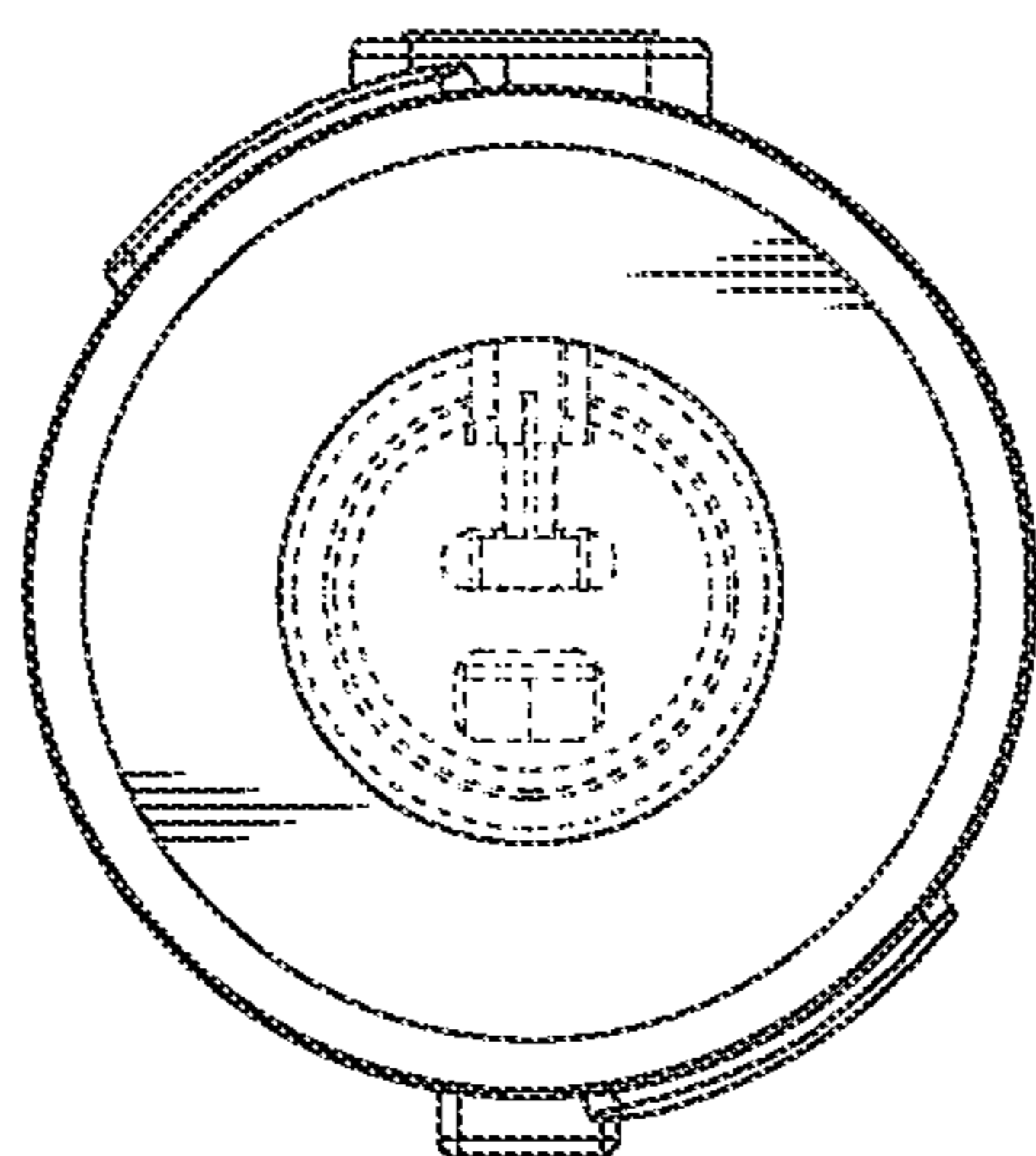


Fig. 13

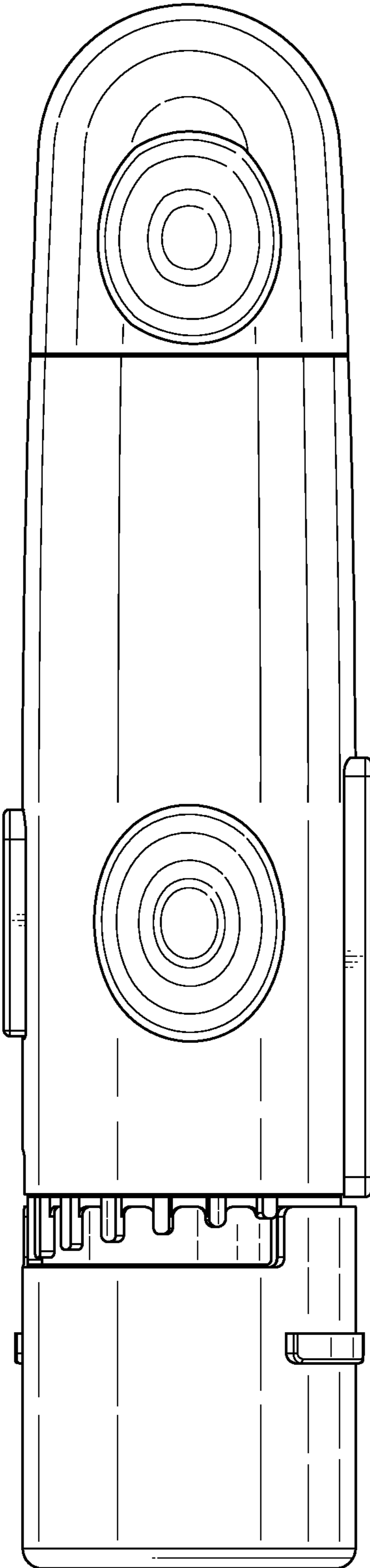


Fig. 14

