



US00D736373S

(12) **United States Design Patent**  
**Weishaupt et al.**

(10) **Patent No.:** **US D736,373 S**

(45) **Date of Patent:** **\*\* Aug. 11, 2015**

(54) **TROCAR**

(71) Applicants: **Thomas Weishaupt**, Sigmaringen (DE);  
**Michael Sauer**, Tuttlingen (DE)

(72) Inventors: **Thomas Weishaupt**, Sigmaringen (DE);  
**Michael Sauer**, Tuttlingen (DE)

(73) Assignee: **KARL STORZ GMBH & CO. KG**  
(DE)

(\*\*) Term: **14 Years**

(21) Appl. No.: **29/476,796**

(22) Filed: **Dec. 17, 2013**

(30) **Foreign Application Priority Data**

Jun. 18, 1920 (EM) ..... 002257147-0001

(51) **LOC (10) Cl.** ..... **24-02**

(52) **U.S. Cl.**  
USPC ..... **D24/146**

(58) **Field of Classification Search**  
USPC ..... D24/146, 147, 133; 604/167.07,  
604/167.04, 158, 167, 169; 600/566, 567,  
600/568; 606/167, 170  
CPC ..... A61B 17/3421; A61B 2017/345;  
A61B 2017/3452; A61B 2017/3437; A61B  
17/34; A61B 2017/3407; A61B 2017/3409  
See application file for complete search history.

(56) **References Cited**

**U.S. PATENT DOCUMENTS**

D362,066 S \* 9/1995 Petruschke et al. .... D24/146  
5,807,338 A \* 9/1998 Smith et al. .... 604/164.01  
D426,635 S \* 6/2000 Haberland et al. .... D24/146  
6,638,265 B1 10/2003 Ternamian  
D496,729 S \* 9/2004 Pajunk et al. .... D24/146

D573,257 S \* 7/2008 Rehbein et al. .... D24/133  
D589,616 S \* 3/2009 Carter ..... D24/146  
D594,121 S \* 6/2009 Berberich et al. .... D24/133  
D605,765 S \* 12/2009 Gaab ..... D24/146  
D606,193 S \* 12/2009 Oberlaender et al. .... D24/146  
D607,103 S \* 12/2009 Ulrich ..... D24/146  
D637,289 S \* 5/2011 Berberich ..... D24/146  
D664,647 S \* 7/2012 Becker ..... D24/133  
D664,648 S \* 7/2012 Becker ..... D24/133  
D664,649 S \* 7/2012 Becker ..... D24/133  
8,226,690 B2 \* 7/2012 Altarac et al. .... 606/256  
8,262,704 B2 \* 9/2012 Matthis et al. .... 606/264  
D676,553 S \* 2/2013 Becker ..... D24/146  
D680,647 S \* 4/2013 Carter ..... D24/146  
8,771,223 B2 \* 7/2014 Patton et al. .... 604/93.01  
8,870,836 B2 \* 10/2014 Sweeney ..... 604/264  
2004/0111060 A1 \* 6/2004 Racenet et al. .... 604/167.01  
2005/0107816 A1 \* 5/2005 Pingleton et al. .... 606/185  
2007/0005087 A1 \* 1/2007 Smith et al. .... 606/185

\* cited by examiner

*Primary Examiner* — Ian Simmons

*Assistant Examiner* — Carissa C Fitts

(74) *Attorney, Agent, or Firm* — Whitmyer IP Group LLC

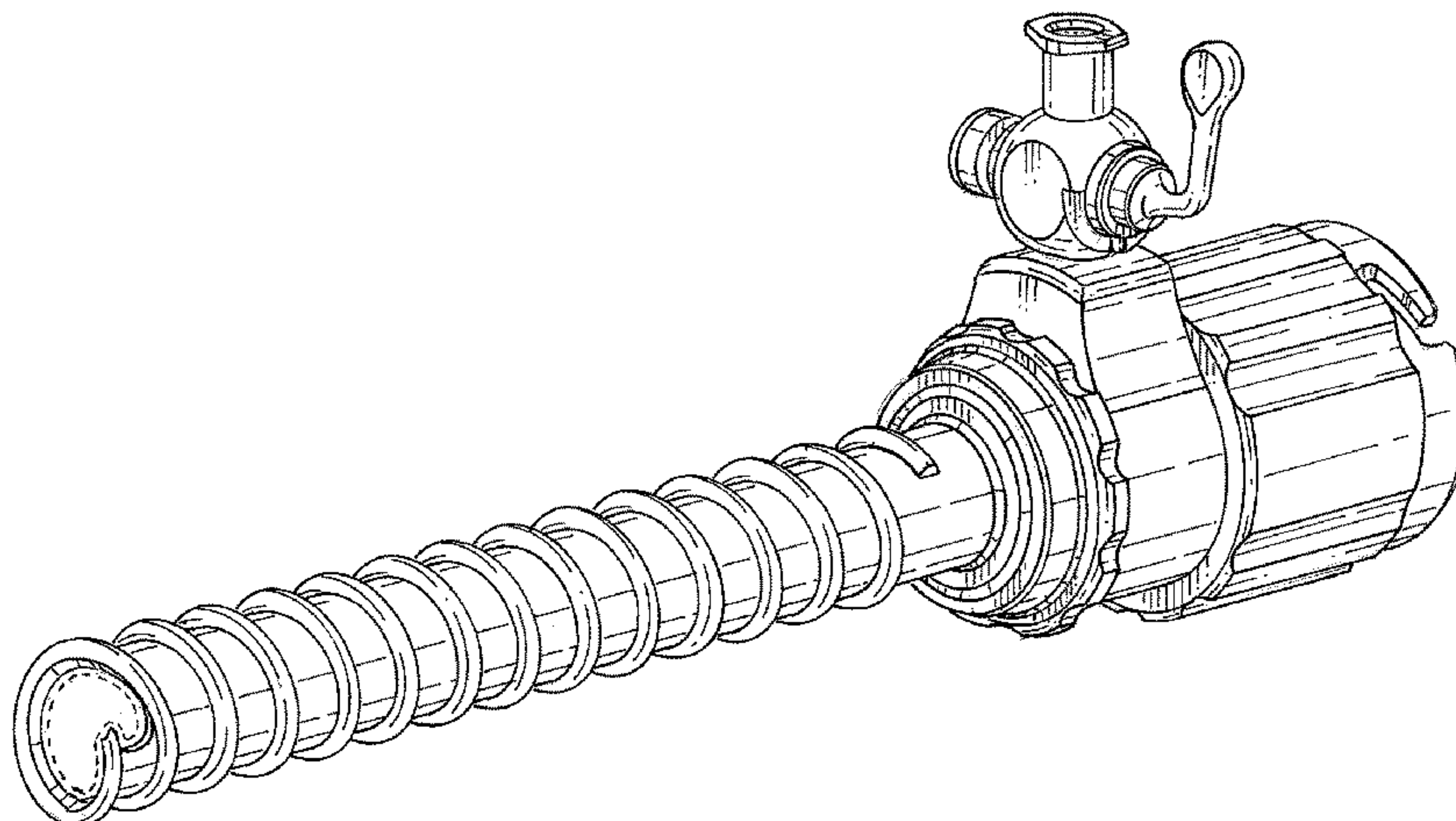
(57) **CLAIM**

The ornamental design for a trocar, as shown and described.

**DESCRIPTION**

FIG. 1 is a front left side isometric view of a trocar in accordance with the new design;  
FIG. 2 is a right side elevational view thereof;  
FIG. 3 is a left side elevational view thereof;  
FIG. 4 is a top plan view thereof;  
FIG. 5 is a bottom plan view thereof;  
FIG. 6 is a front elevational view thereof; and,  
FIG. 7 is a rear elevational view thereof.  
The broken lines shown in FIGS. 1, 4, 6, and 7 are for the purpose of illustrating portions of the trocar that form no part of the claimed design.

**1 Claim, 6 Drawing Sheets**



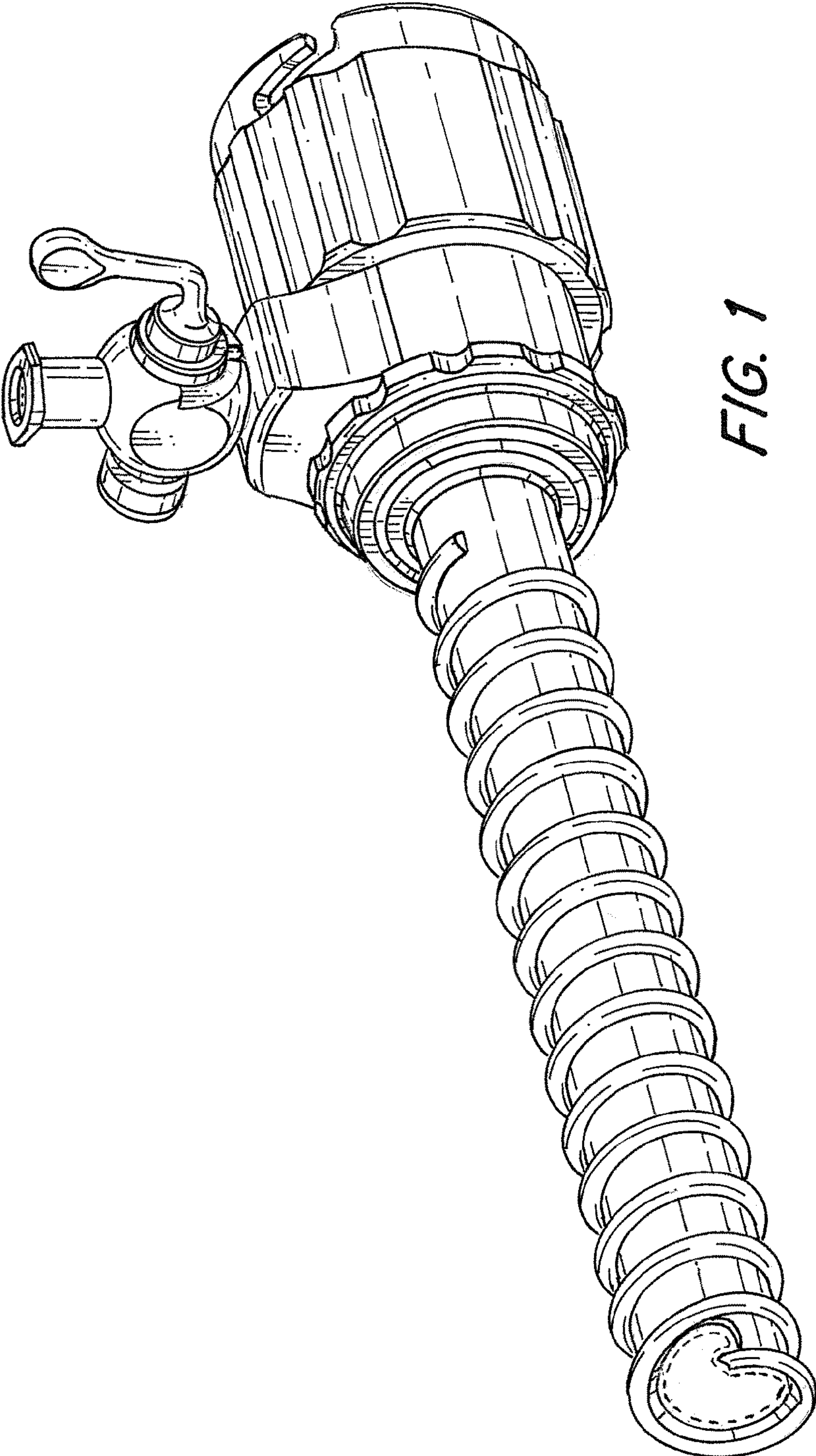


FIG. 1

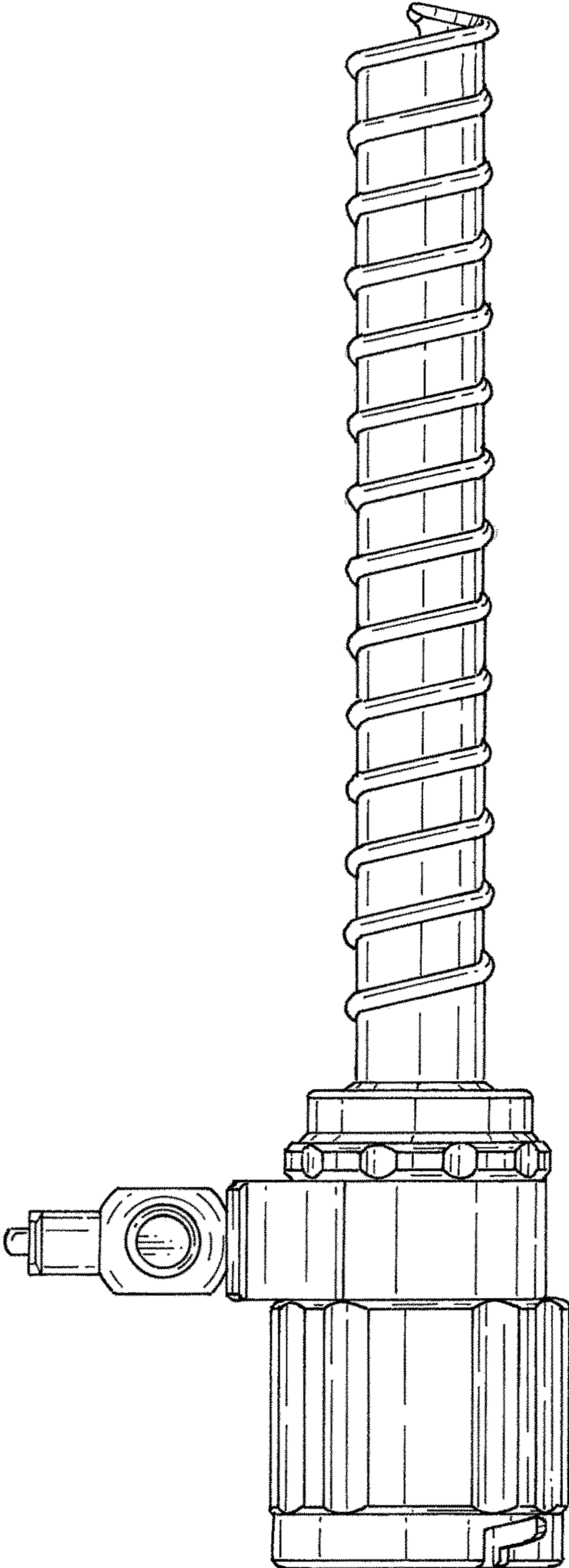


FIG. 2



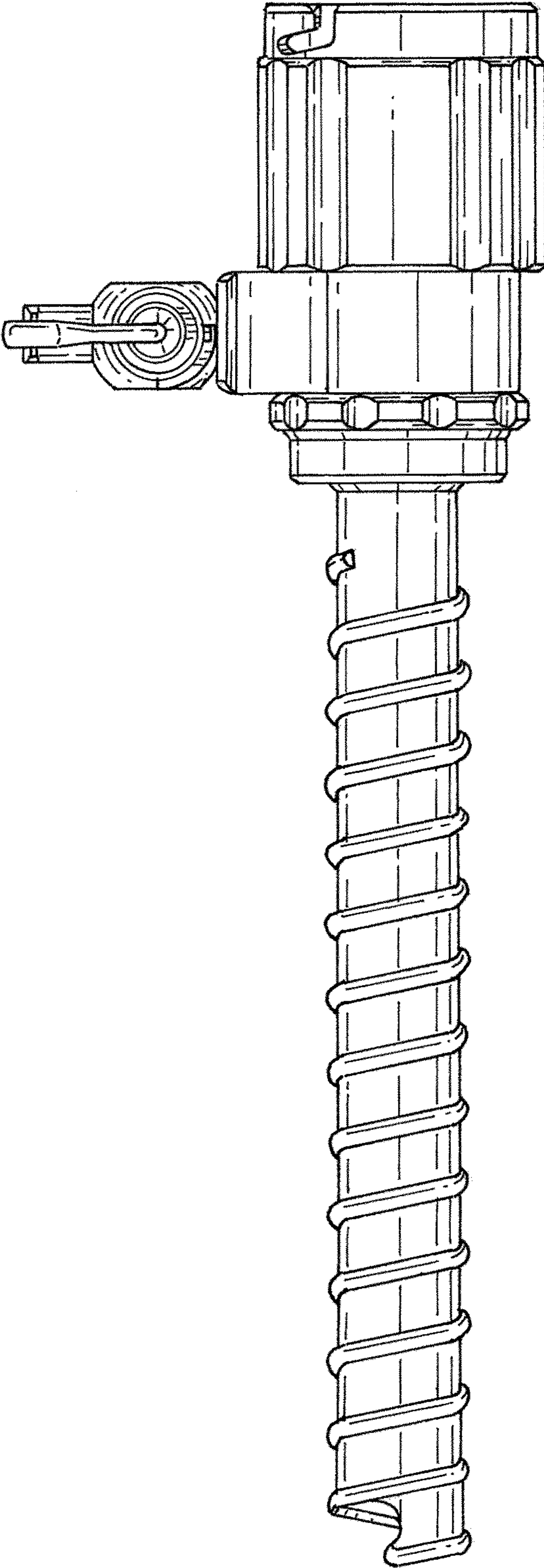


FIG. 3

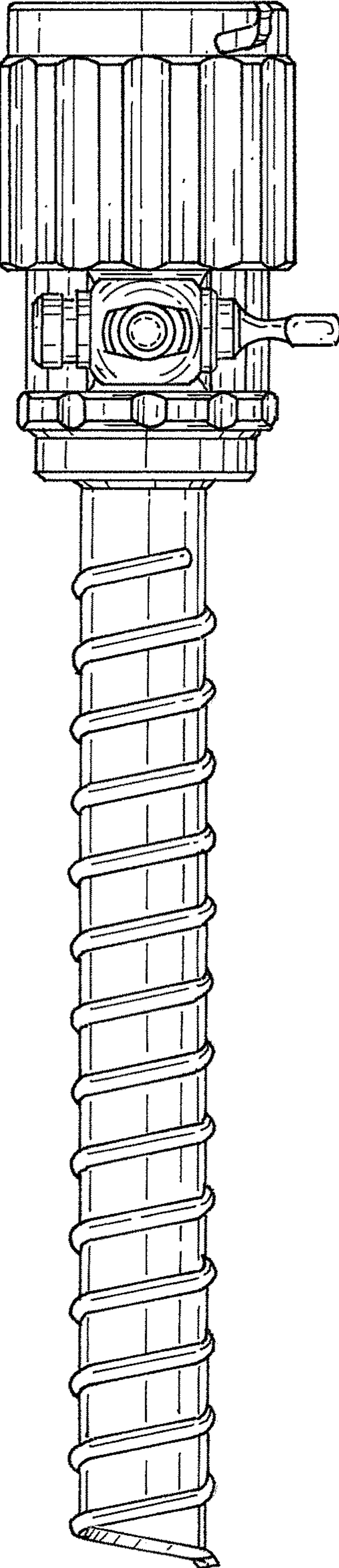


FIG. 4

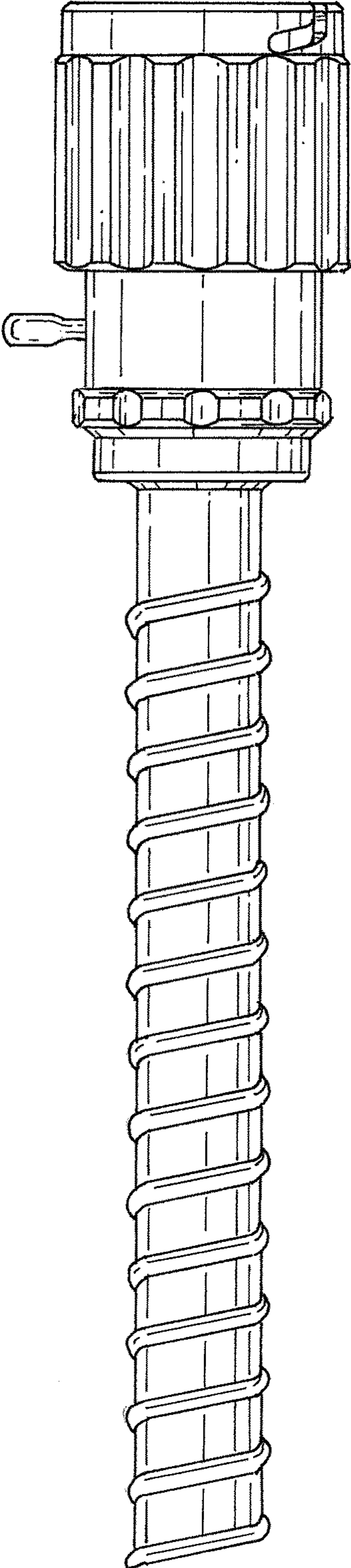
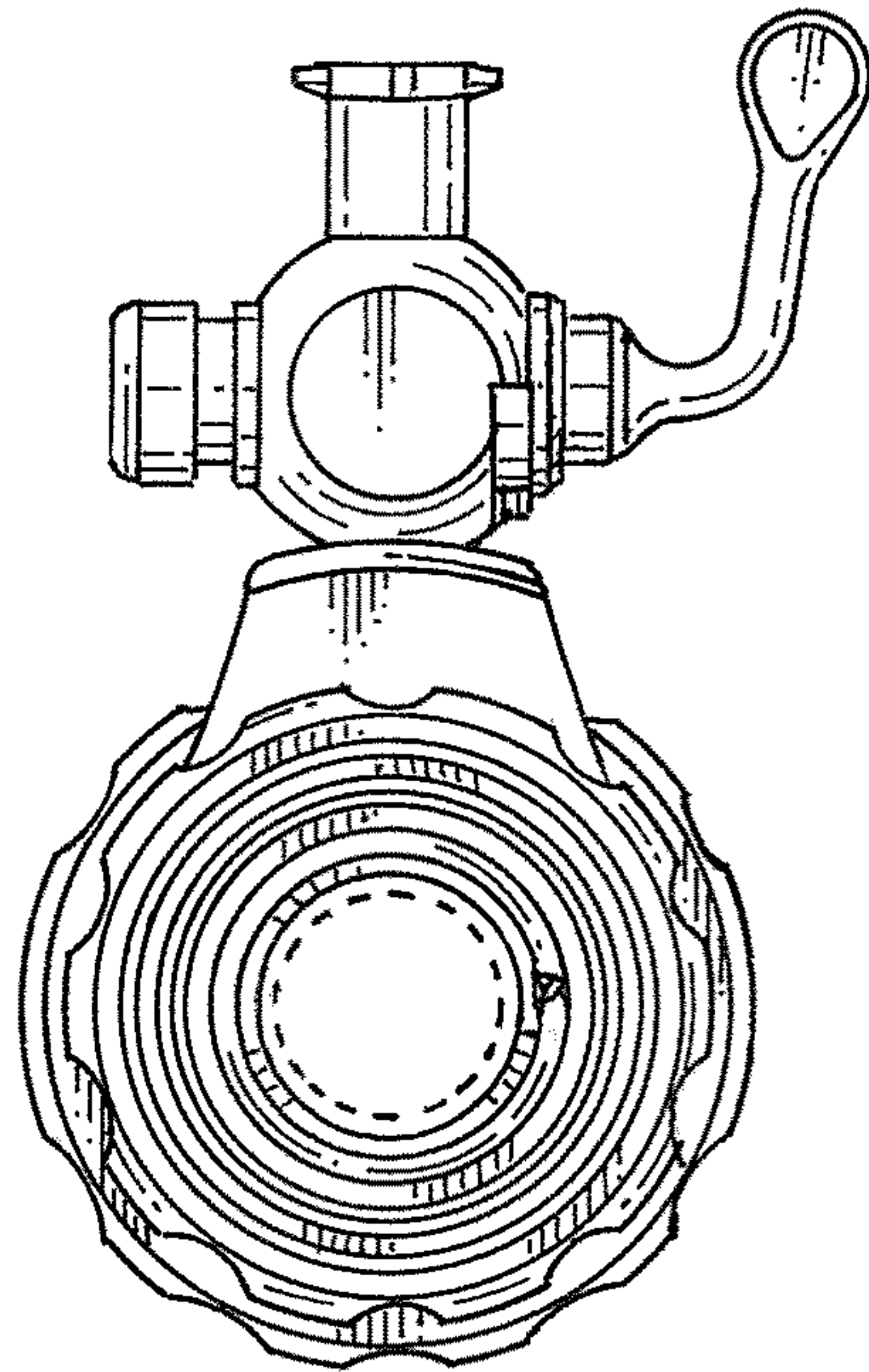
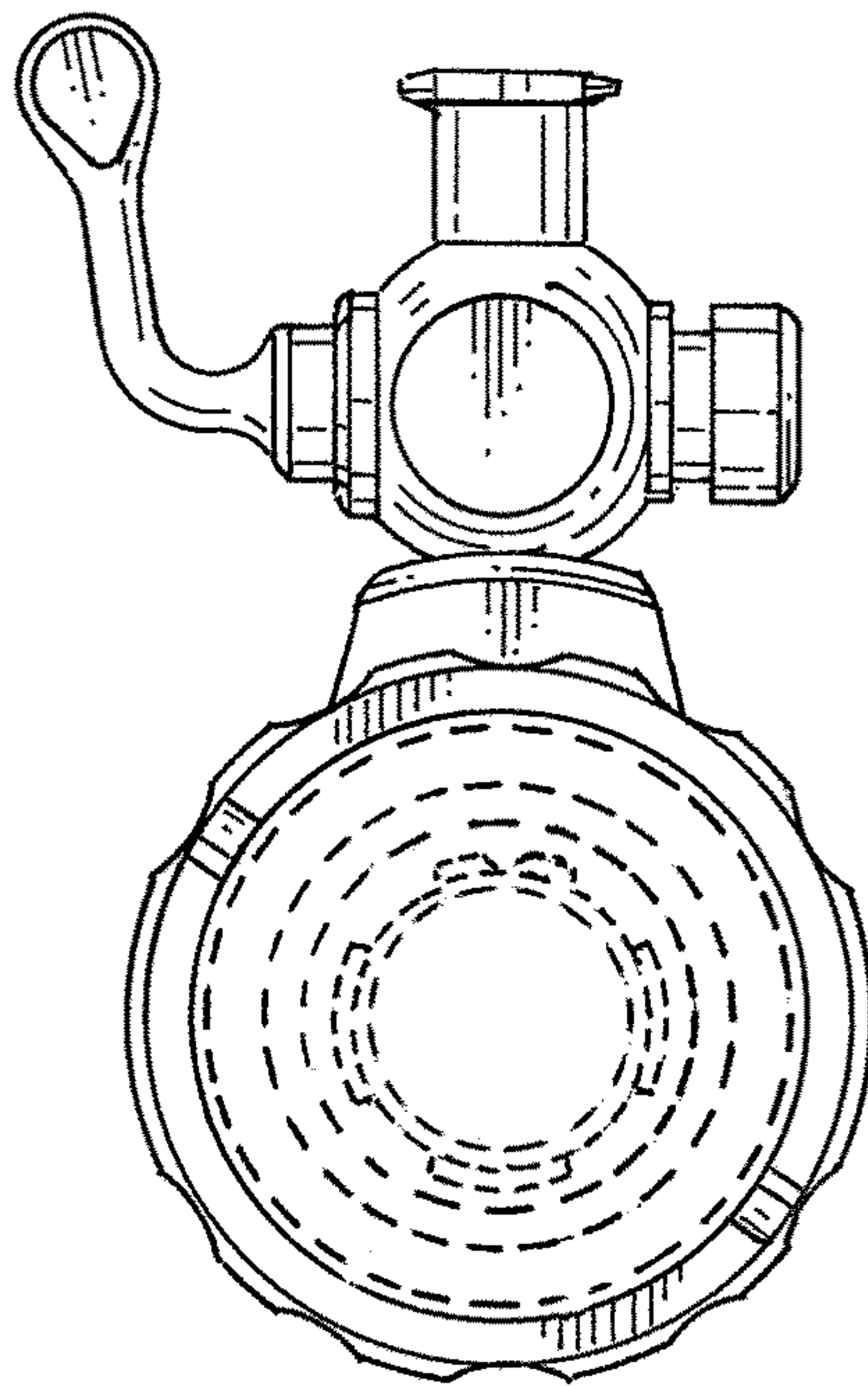


FIG. 5



*FIG. 6*



*FIG. 7*

UNITED STATES PATENT AND TRADEMARK OFFICE  
**CERTIFICATE OF CORRECTION**

PATENT NO. : D736,373 S  
APPLICATION NO. : 29/476796  
DATED : August 11, 2015  
INVENTOR(S) : Thomas Weishaupt et al.

Page 1 of 1

It is certified that error appears in the above-identified patent and that said Letters Patent is hereby corrected as shown below:

Title Page, Item (30) Foreign Application Priority Data should read:

June 18, 2013 (EM) .....002257147-0001

Signed and Sealed this  
Twelfth Day of January, 2016



Michelle K. Lee  
*Director of the United States Patent and Trademark Office*