



US00D736367S

(12) **United States Design Patent**
Bluestone

(10) **Patent No.:** **US D736,367 S**

(45) **Date of Patent:** **** Aug. 11, 2015**

(54) **RETROFIT ZONE DAMPER**

D681,798 S * 5/2013 Nagasaka et al. D23/393

* cited by examiner

(75) Inventor: **Richard Bluestone**, Mayfield Heights,
OH (US)

Primary Examiner — Sandra Snapp

(73) Assignee: **Alan Manufacturing Inc.**, Wooster, OH
(US)

(74) *Attorney, Agent, or Firm* — D. Peter Hochberg; Sean F.
Mellino

(**) Term: **14 Years**

(57) **CLAIM**

The ornamental design for a retrofit zone damper, as shown
and described.

(21) Appl. No.: **29/414,527**

DESCRIPTION

(22) Filed: **Feb. 29, 2012**

(51) **LOC (10) Cl.** **28-99**

(52) **U.S. Cl.**
USPC **D23/392**

(58) **Field of Classification Search**
USPC D23/355, 359, 360, 364, 365, 386, 392,
D23/393, 401; D6/663, 667, 675
See application file for complete search history.

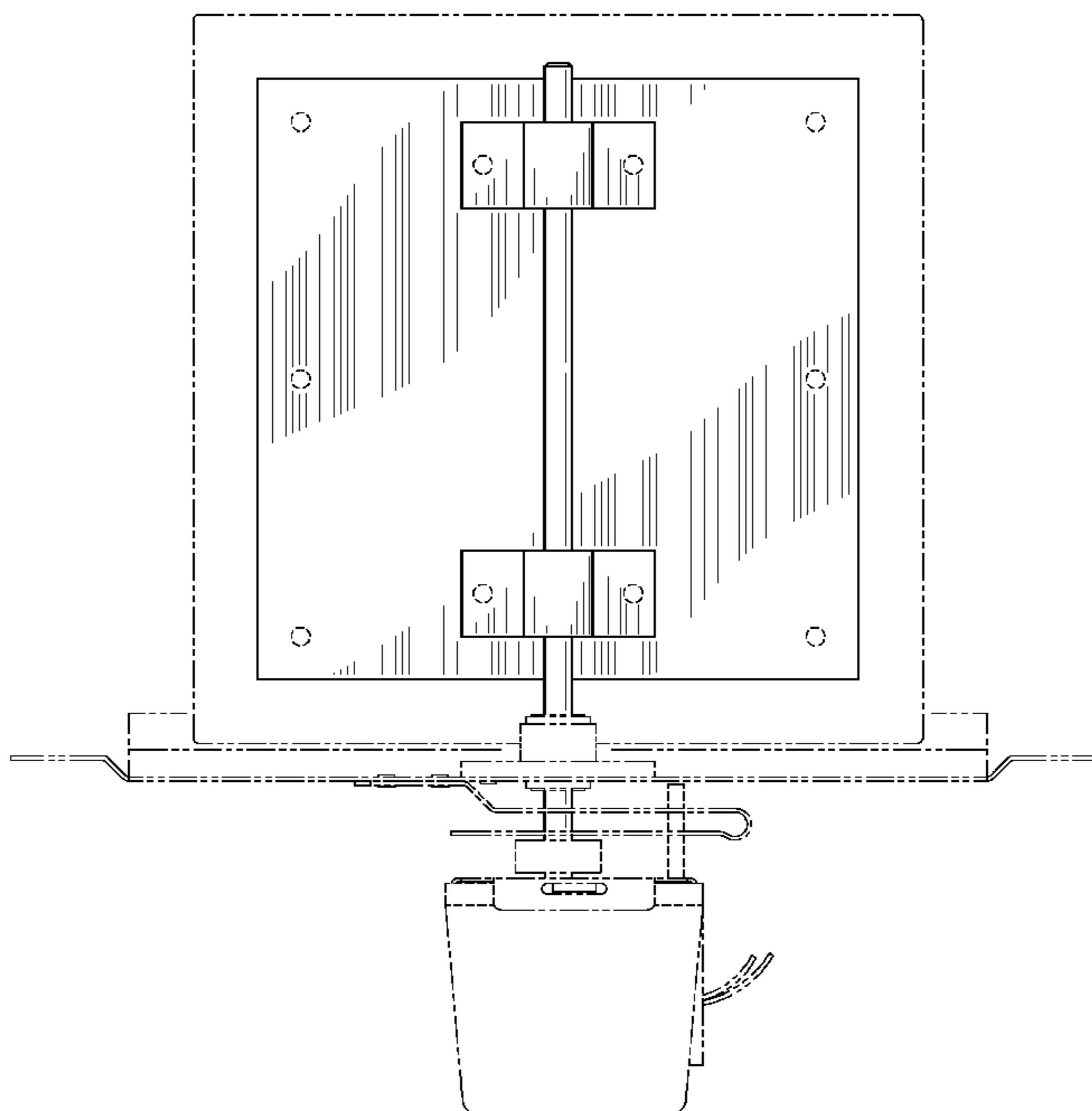
FIG. 1 is a front view of the retrofit zone damper with attached
motor drive assembly according to the invention;
FIG. 2 is a right side view of the retrofit zone damper with
attached motor drive assembly as shown in FIG. 1;
FIG. 3 is a front perspective view of the retrofit zone damper
according to the invention;
FIG. 4 is a rear perspective view of the retrofit zone damper as
shown in FIG. 3;
FIG. 5 is a front view of the retrofit zone damper as shown in
FIG. 3;
FIG. 6 is a rear view of the retrofit zone damper as shown in
FIG. 4;
FIG. 7 is a top view of the retrofit zone damper as shown in
FIG. 5;
FIG. 8 is a bottom view of the retrofit zone damper shown in
FIG. 5;
FIG. 9 is a left side view of the retrofit zone damper as shown
in FIG. 5; and,
FIG. 10 is right side view of the retrofit zone damper as shown
in FIG. 5.
The broken lines shown in FIGS. 1-10 are for illustrative
purposes only and form no part of the claimed design.

(56) **References Cited**

U.S. PATENT DOCUMENTS

3,267,962	A *	8/1966	Josephson et al.	137/601.11
4,241,539	A *	12/1980	Josephson	49/91.1
4,610,197	A *	9/1986	Van Becelaere	454/335
5,647,399	A *	7/1997	Andersen	137/637.3
5,842,919	A *	12/1998	Lyons et al.	454/336
5,845,999	A *	12/1998	Kearney	384/537
5,971,847	A *	10/1999	Webb	454/290
D449,880	S *	10/2001	Webb	D23/393
6,484,755	B1 *	11/2002	Schwarz	137/637.3
7,267,139	B2 *	9/2007	Blomquist et al.	137/607
D634,419	S *	3/2011	Lambertson	D23/393
8,146,767	B1 *	4/2012	Grant	220/263

1 Claim, 7 Drawing Sheets



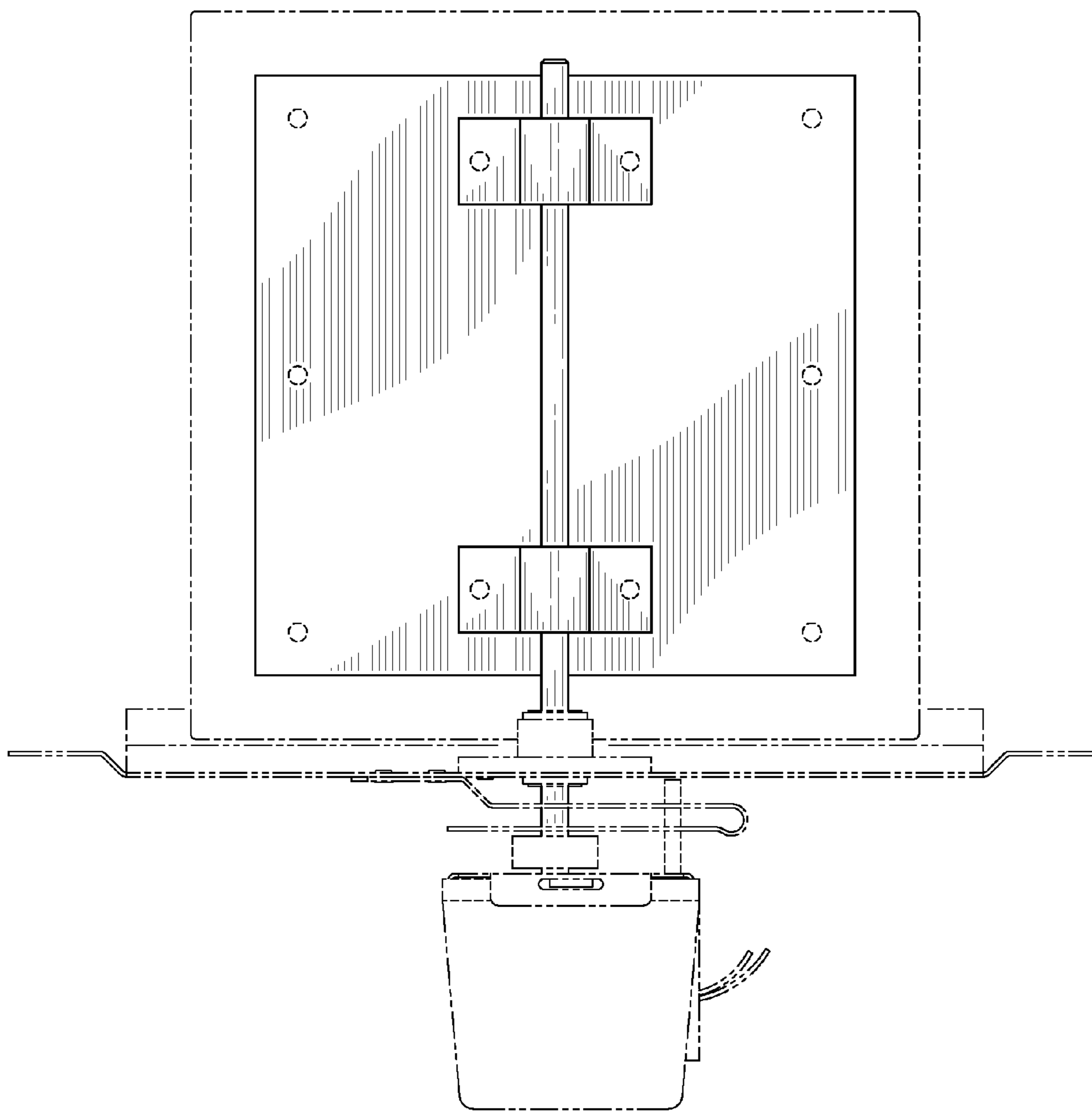


FIG-1

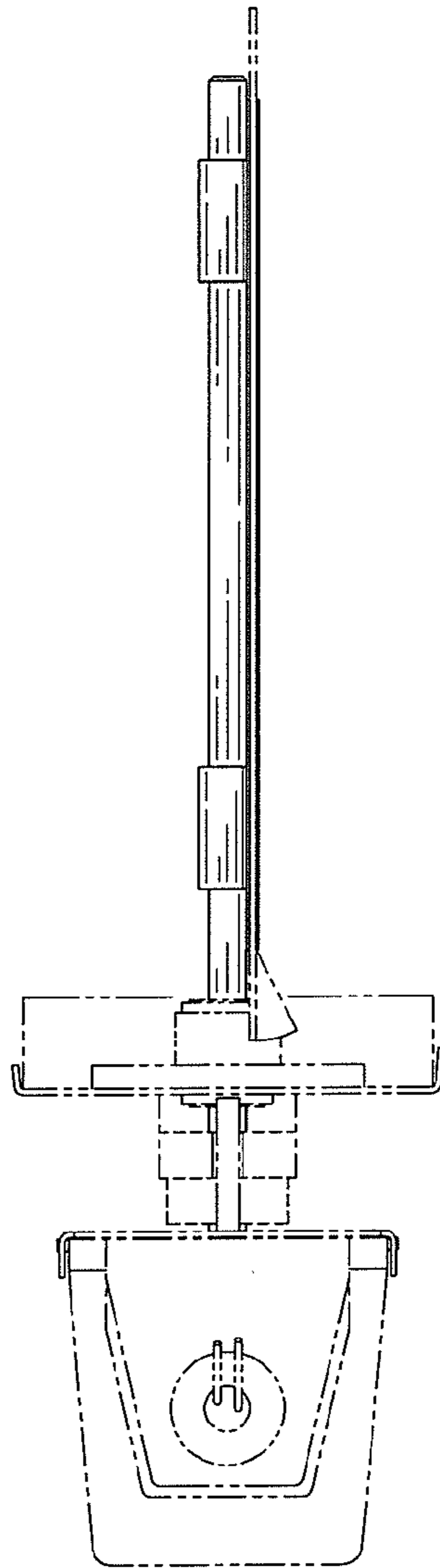


FIG-2

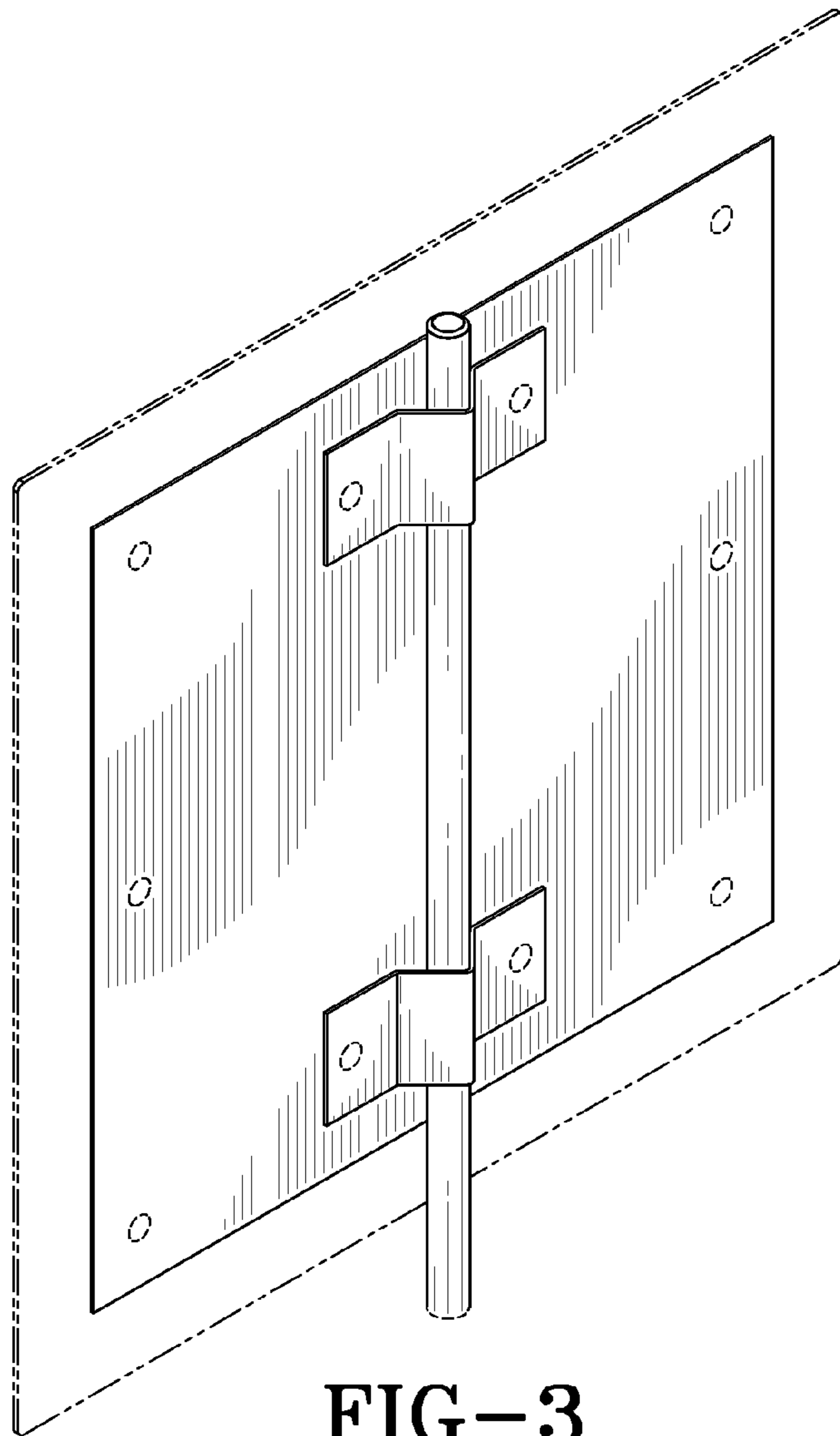


FIG-3

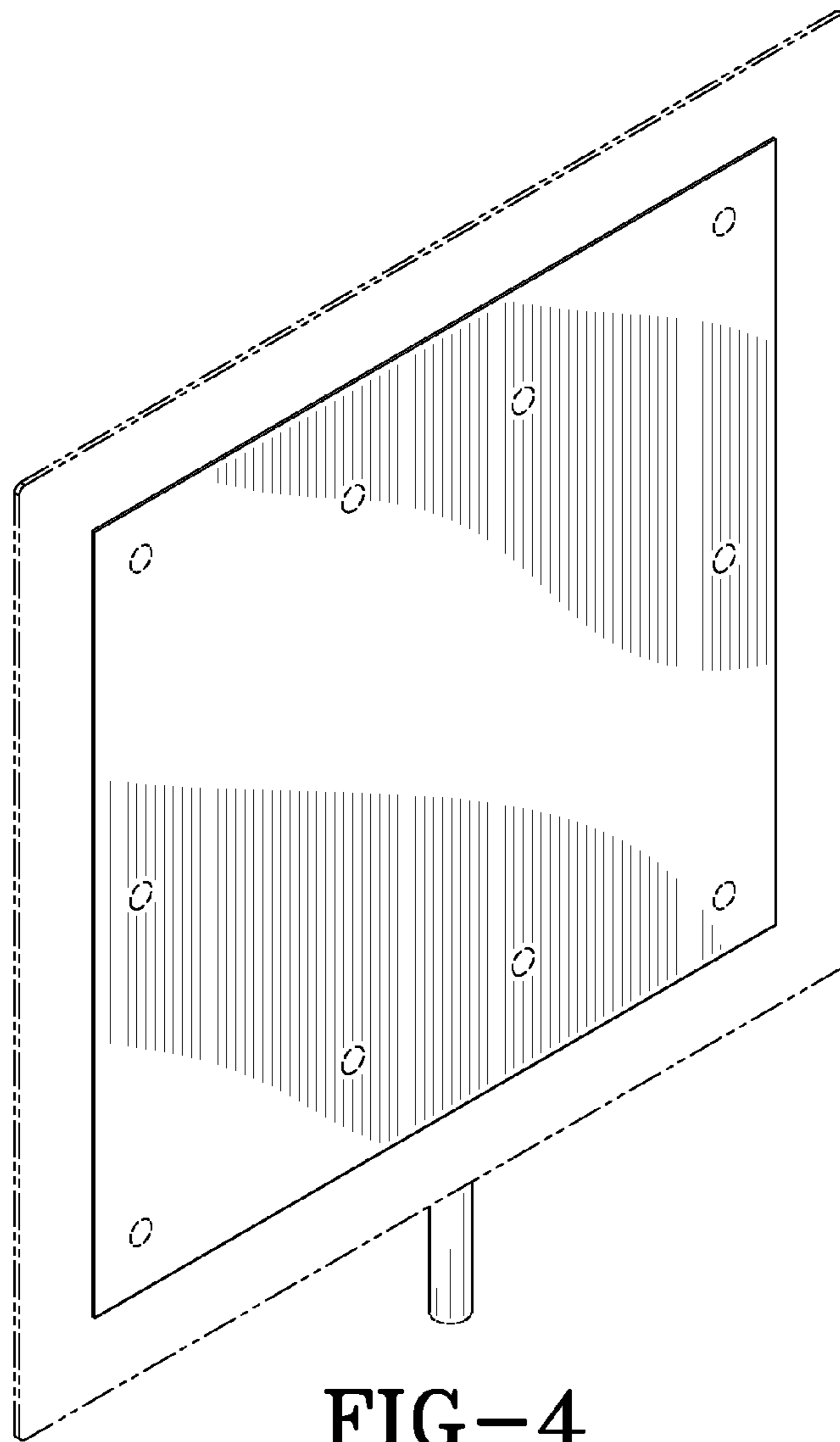


FIG-4

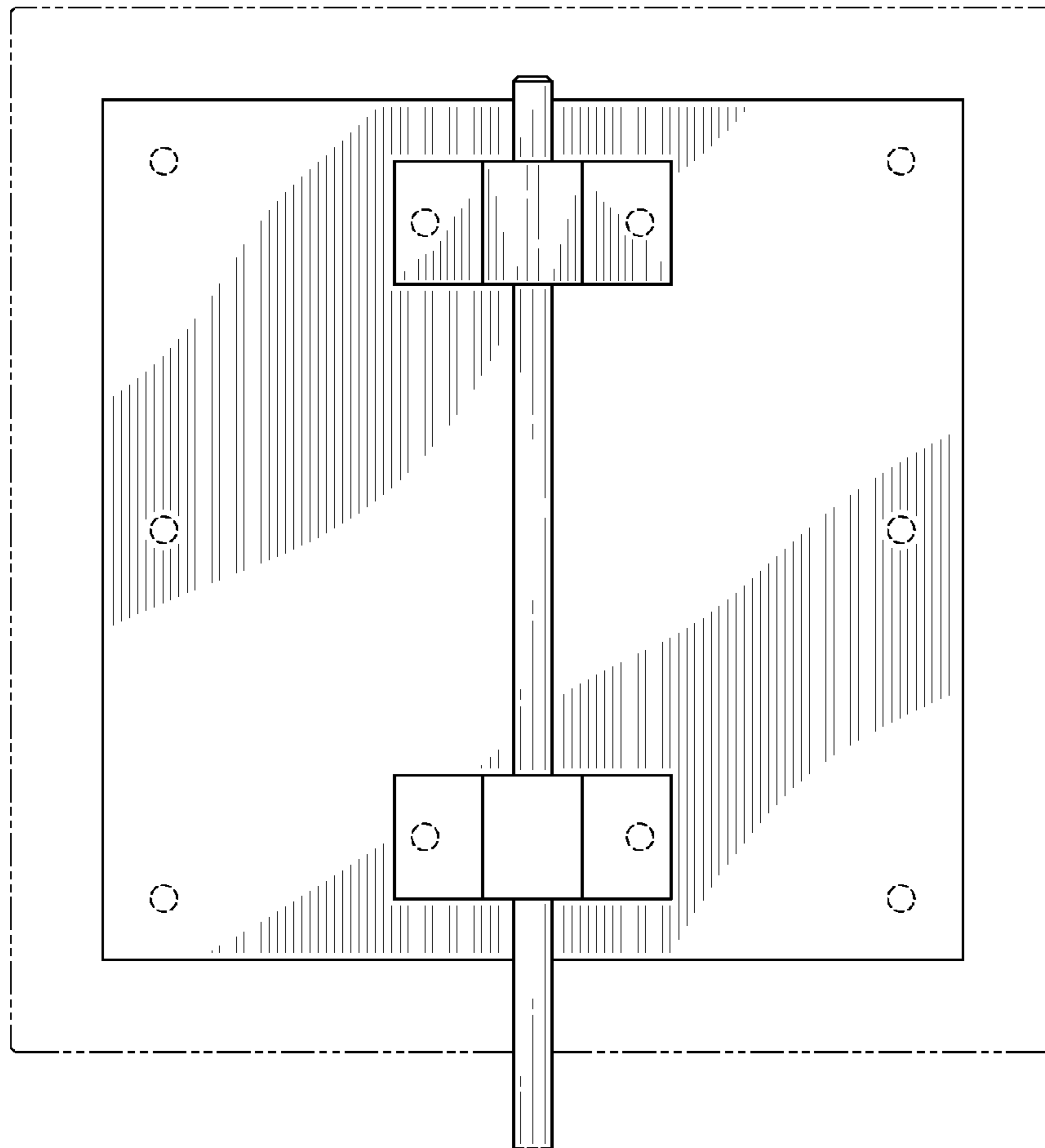


FIG-5

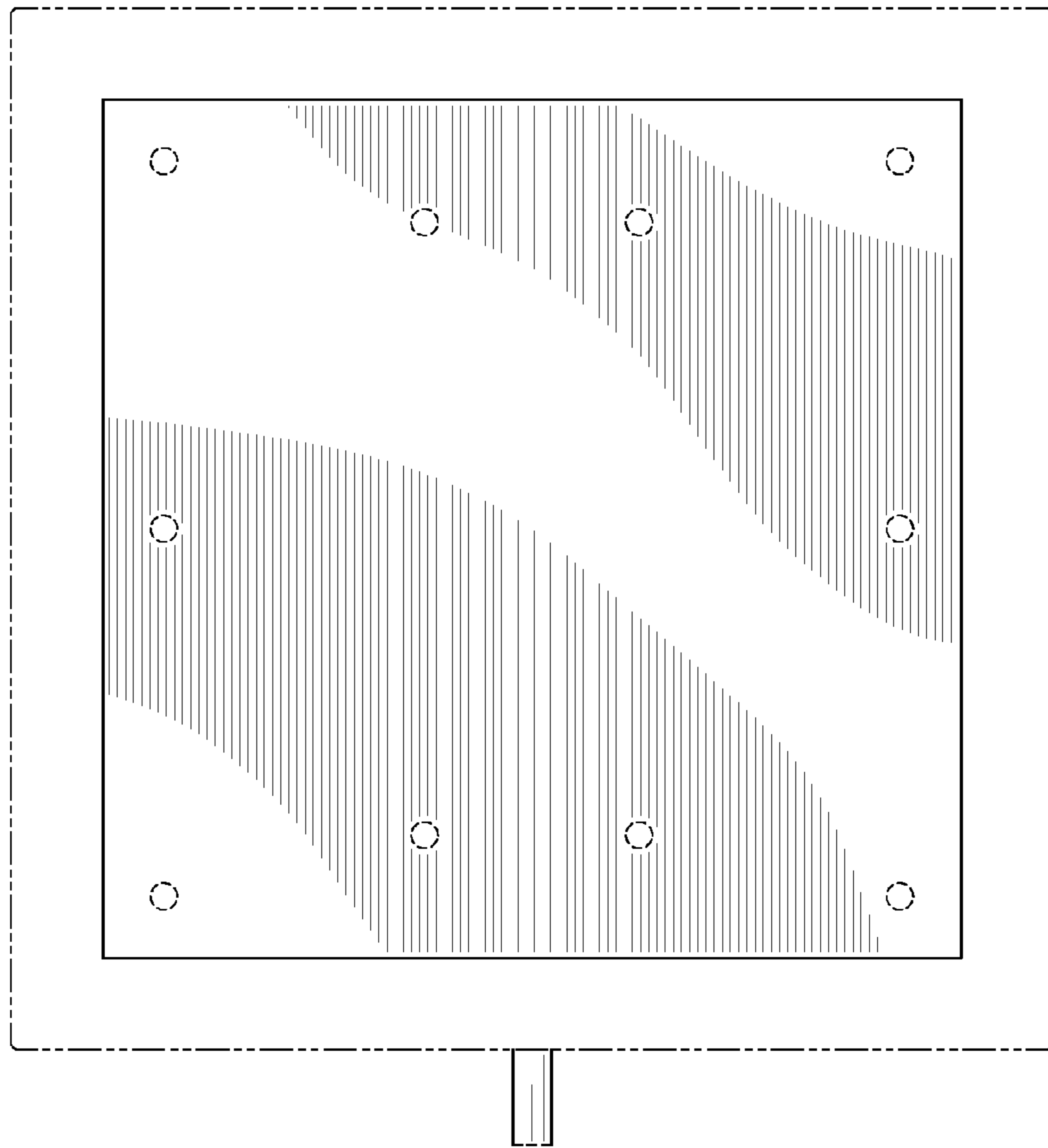


FIG-6



FIG-7



FIG-8



FIG-9



FIG-10