



US00D736366S

(12) **United States Design Patent**
Picco et al.

(10) **Patent No.:** **US D736,366 S**

(45) **Date of Patent:** **** Aug. 11, 2015**

(54) **HVAC DEVICE**

(71) Applicants: **Michael Picco**, Concord (CA); **Santino Figliomeni**, Nobelton (CA); **Siegi Niedermair**, Concord (CA)

(72) Inventors: **Michael Picco**, Concord (CA); **Santino Figliomeni**, Nobelton (CA); **Siegi Niedermair**, Concord (CA)

(73) Assignee: **PRO-TEC-VENT LTD.**, Ontario (CA)

(**) Term: **14 Years**

(21) Appl. No.: **29/434,689**

(22) Filed: **Oct. 16, 2012**

(51) **LOC (10) Cl.** **23-04**

(52) **U.S. Cl.**
USPC **D23/386**

(58) **Field of Classification Search**
USPC D23/385–395, 397, 370–373, 365, 354,
D23/399–403, 421, 499; 454/309, 275–277,
454/284, 287–291, 358–363; 52/302.1,
52/32.07; 285/229, 189, 183, 123.1, 15,
285/114, 110, 424, 197

See application file for complete search history.

(56) **References Cited**

U.S. PATENT DOCUMENTS

D298,053	S	*	10/1988	Waltz et al.	D23/387
D298,276	S	*	10/1988	Butcher	D23/354
D298,853	S	*	12/1988	Waltz et al.	D23/387
D338,713	S	*	8/1993	Cox et al.	D23/328
D362,059	S	*	9/1995	Wojcik	D23/393
D382,049	S	*	8/1997	Trampp	D23/365
5,733,191	A	*	3/1998	Lam et al.	454/290
D393,708	S	*	4/1998	Assadi	D23/388
D394,901	S	*	6/1998	Governale et al.	D23/354
D402,356	S	*	12/1998	Hodge	D23/365
6,234,893	B1	*	5/2001	Meredith	454/289
D449,880	S	*	10/2001	Webb	D23/393
6,506,113	B2	*	1/2003	Berger	454/290
D494,265	S	*	8/2004	Snyder et al.	D23/393
D494,669	S	*	8/2004	Achen	D23/388

D496,992	S	*	10/2004	Lafond	D23/388
D609,800	S	*	2/2010	Chen	D23/385
D618,779	S	*	6/2010	Jenkins	D23/365
8,142,265	B2	*	3/2012	Carter	454/290
8,419,515	B1	*	4/2013	Dillon	454/284

* cited by examiner

Primary Examiner — David Muller

(74) *Attorney, Agent, or Firm* — Blue Filament Law PLLC;
Avery N. Goldstein

(57) **CLAIM**

The ornamental design for a HVAC device, as shown and described.

DESCRIPTION

FIG. 1 is a top perspective view of the assembled HVAC device;

FIG. 2 is a front view of the assembled HVAC device of FIG. 1;

FIG. 3 is a rear view of the assembled HVAC device of FIG. 1;

FIG. 4 is a bottom view of the assembled HVAC device of FIG. 1;

FIG. 5 is a right side view of the assembled HVAC device of FIG. 1;

FIG. 6 is a left side view of the assembled HVAC device of FIG. 1;

FIG. 7 is a top view of the assembled HVAC device of FIG. 1;

FIG. 8 is a top perspective view of a base portion of the HVAC device;

FIG. 9 is a bottom perspective view of the base portion of the HVAC device;

FIG. 10 is a top plan view of the base portion of the HVAC device;

FIG. 11 is a bottom plan view of the base portion of the HVAC device;

FIG. 12 is a left side view of the base portion of the HVAC device;

FIG. 13 is a right side view of the base portion of the HVAC device;

FIG. 14 is a front view of the base portion of the HVAC device;

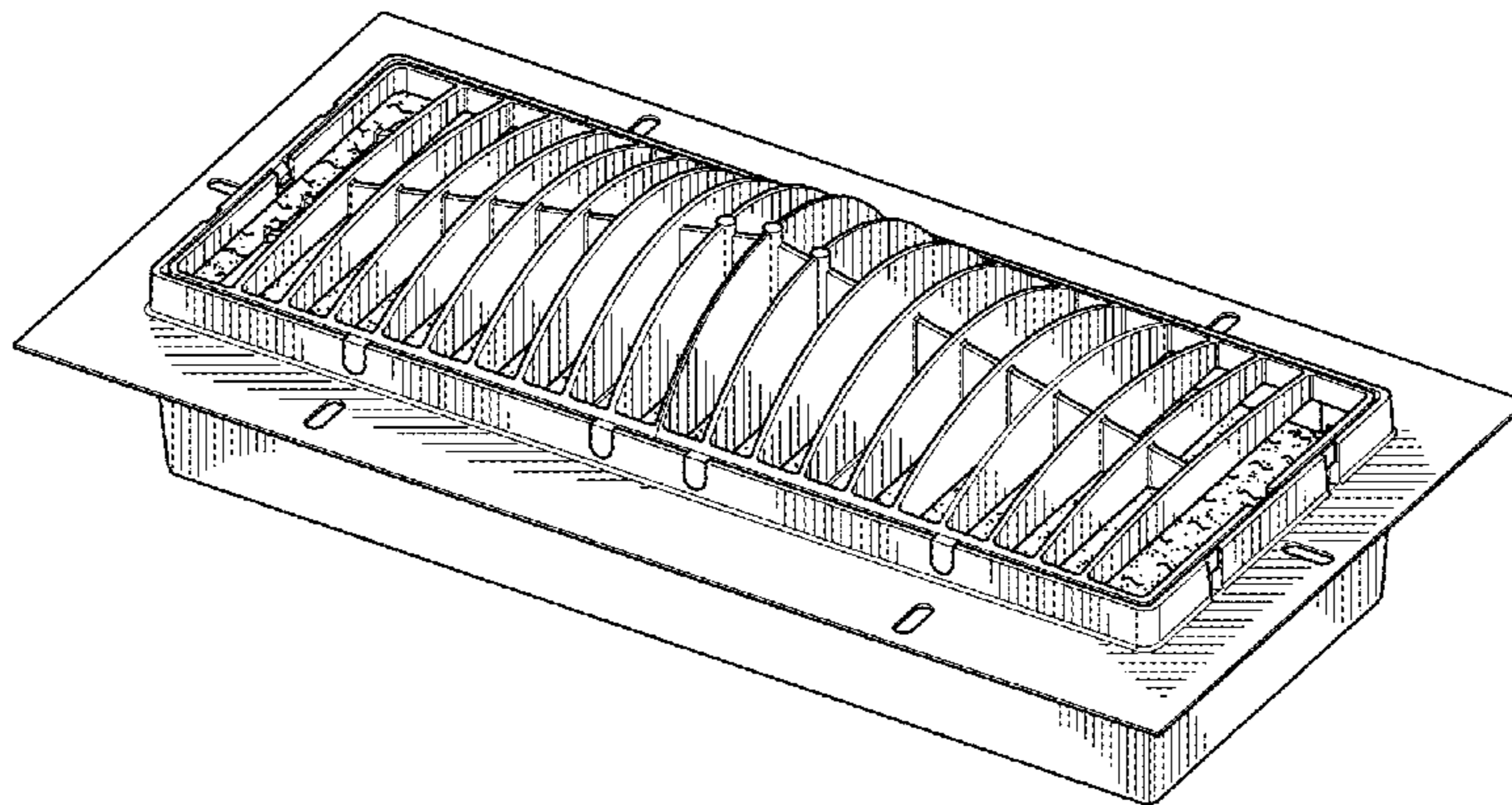


FIG. 15 is a rear view of the base portion of the HVAC device;
 FIG. 16 is a top perspective view of a basket portion of the HVAC device;
 FIG. 17 is a bottom perspective view of the basket portion of the HVAC device;
 FIG. 18 is a bottom plan view of the basket portion of the HVAC device;
 FIG. 19 is a top plan view of the basket portion of the HVAC device;
 FIG. 20 is a left side view of the basket portion of the HVAC device;
 FIG. 21 is a right side view of the basket portion of the HVAC device;
 FIG. 22 is a front view of the basket portion of the HVAC device;
 FIG. 23 is a rear view of the basket portion of the HVAC device;
 FIG. 24 is a bottom perspective view of a grill portion of the HVAC device;
 FIG. 25 is a top perspective view of the grill portion of the HVAC device;
 FIG. 26 is a top plan view of the grill portion of the HVAC device;
 FIG. 27 is a bottom plan view of the grill portion of the HVAC device;
 FIG. 28 is a left side view of the grill portion of the HVAC device;
 FIG. 29 is a right side view of the grill portion of the HVAC device;
 FIG. 30 is a front view of the grill portion of the HVAC device;
 FIG. 31 is a rear view of the grill portion of the HVAC device;
 FIG. 32 is a top perspective view of a filter portion of the HVAC device, the bottom perspective view being identical;
 FIG. 33 is a top plan view of the filter portion of the HVAC device, the bottom plan view being identical;
 FIG. 34 is a left side view of the filter portion of the HVAC device, the right side view being identical;
 FIG. 35 is a front view of the filter portion of the HVAC device, the rear view being identical;
 FIG. 36 is a top perspective view of a reinforcing portion of the HVAC device;
 FIG. 37 is a bottom perspective view of the reinforcing portion of the HVAC device;
 FIG. 38 is a top plan view of the reinforcing portion of the HVAC device;

FIG. 39 is a bottom plan view of the reinforcing portion of the HVAC device;
 FIG. 40 is a left side view of the reinforcing portion of the HVAC device;
 FIG. 41 is a right side view of the reinforcing portion of the HVAC device;
 FIG. 42 is a front view of the reinforcing portion of the HVAC device;
 FIG. 43 is a rear view of the reinforcing portion of the HVAC device;
 FIG. 44 is a top perspective view of the basket portion in use with the base portion;
 FIG. 45 is a bottom perspective view of the structure of FIG. 44;
 FIG. 46 is a top plan view of the structure of FIG. 44;
 FIG. 47 is a bottom plan view of the structure of FIG. 44;
 FIG. 48 is a left side view of the structure of FIG. 44;
 FIG. 49 is a right side view of the structure of FIG. 44;
 FIG. 50 is a front view of the structure of FIG. 44;
 FIG. 51 is a rear view of the structure of FIG. 44;
 FIG. 52 is a top perspective view of the structure of FIG. 44 in use with the filter portion;
 FIG. 53 is a bottom perspective view of the structure of FIG. 52;
 FIG. 54 is a top plan view of the structure of FIG. 52;
 FIG. 55 is a bottom plan view of the structure of FIG. 52;
 FIG. 56 is a left side view of the structure of FIG. 52;
 FIG. 57 is a right side view of the structure of FIG. 52;
 FIG. 58 is a front view of the structure of FIG. 52;
 FIG. 59 is a rear view of the structure of FIG. 52;
 FIG. 60 is a top perspective view of the grill portion in use with the base portion;
 FIG. 61 is a bottom perspective view of the structure of FIG. 60;
 FIG. 62 is a top plan view of the structure of FIG. 60;
 FIG. 63 is a bottom plan view of the structure of FIG. 60;
 FIG. 64 is a left side view of the structure of FIG. 60;
 FIG. 65 is a right side view of the structure of FIG. 60;
 FIG. 66 is a front view of the structure of FIG. 60; and,
 FIG. 67 is a rear view of the structure of FIG. 60.
 The views depicted in FIGS. 1-67 comprise a single inventive HVAC device and are shown separately for ease of illustration.

1 Claim, 25 Drawing Sheets

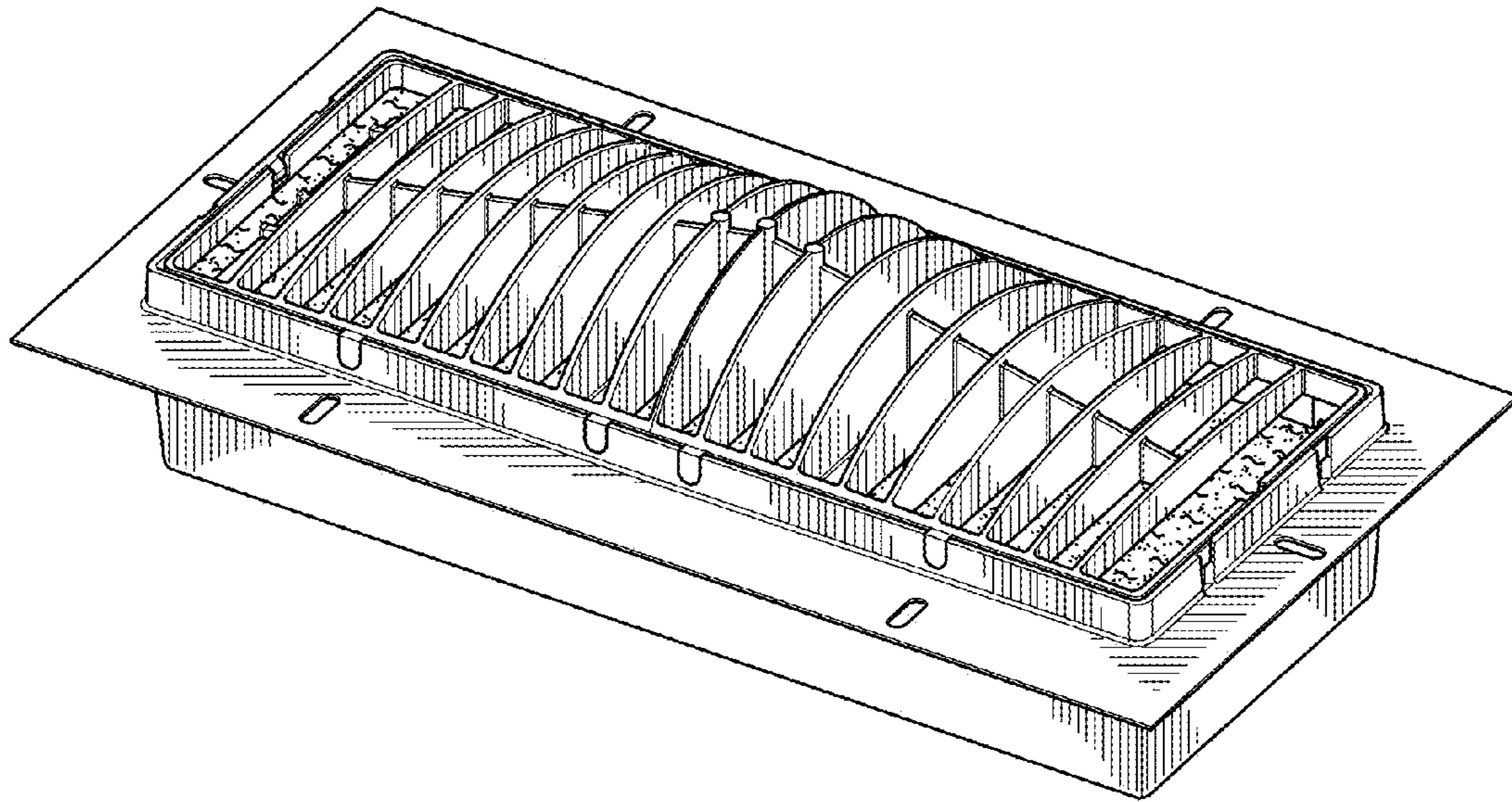


FIG. 1

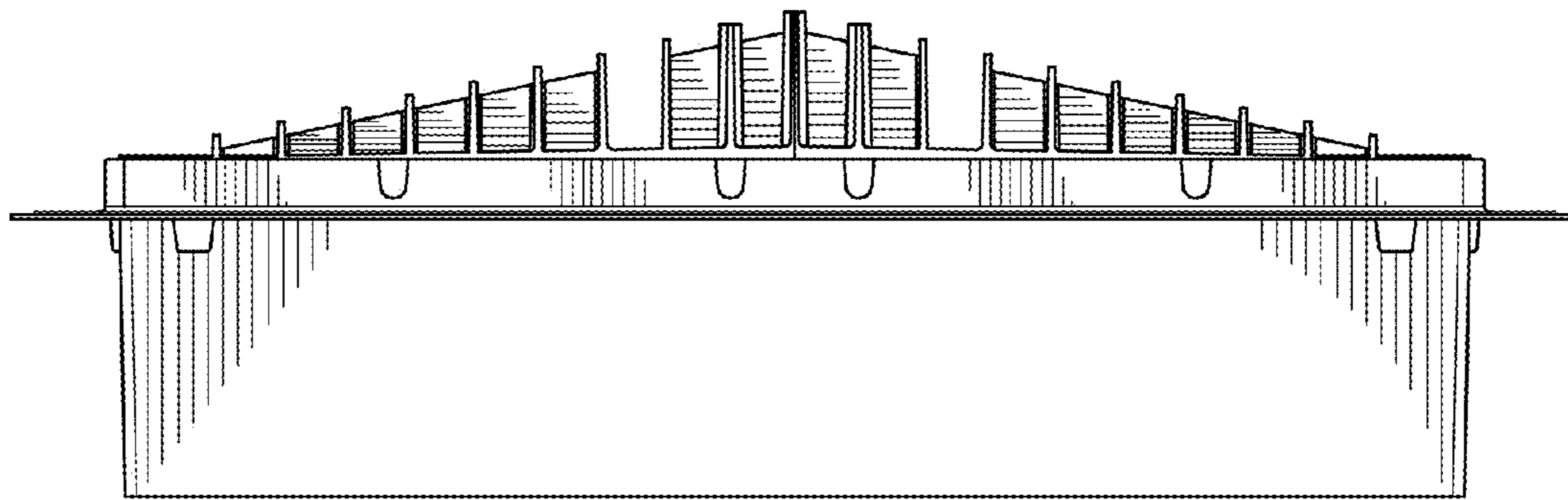


FIG. 2

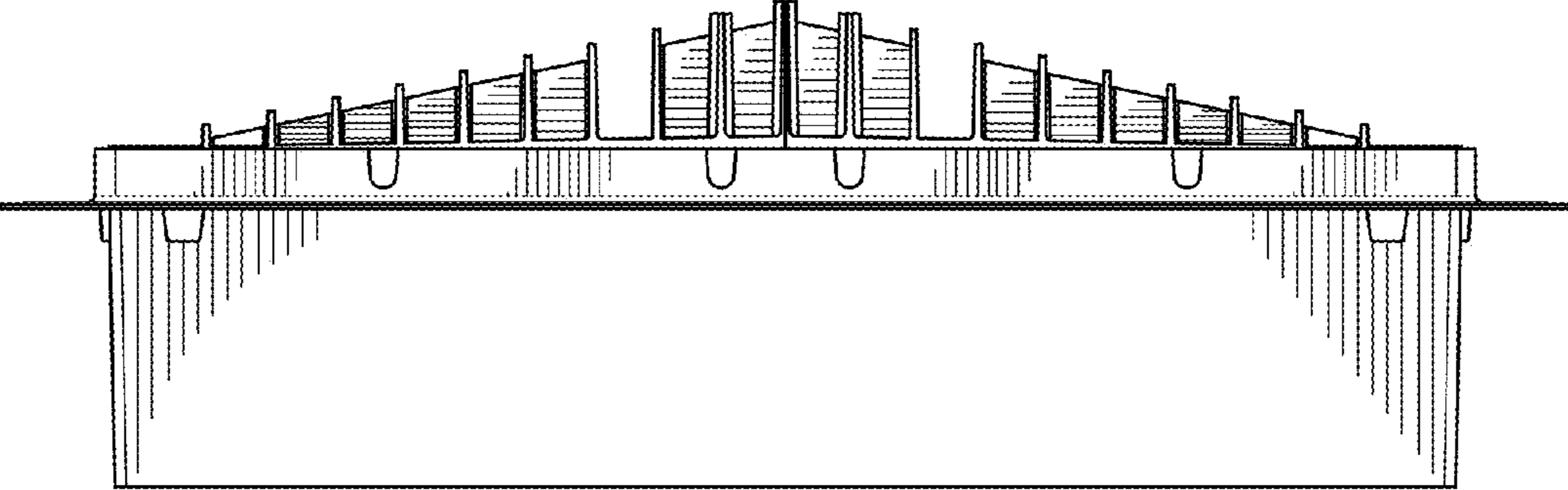


FIG. 3

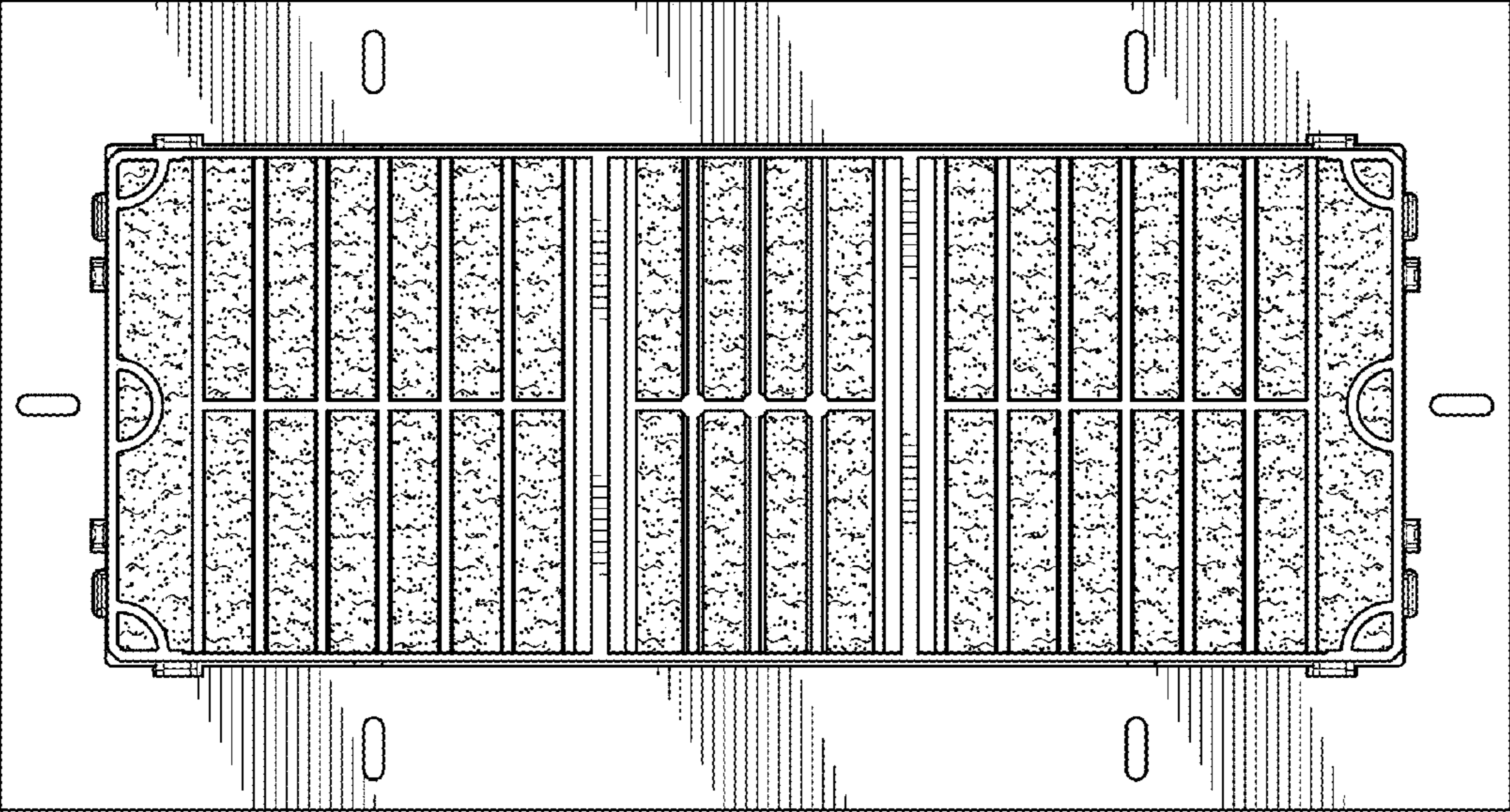


FIG. 4

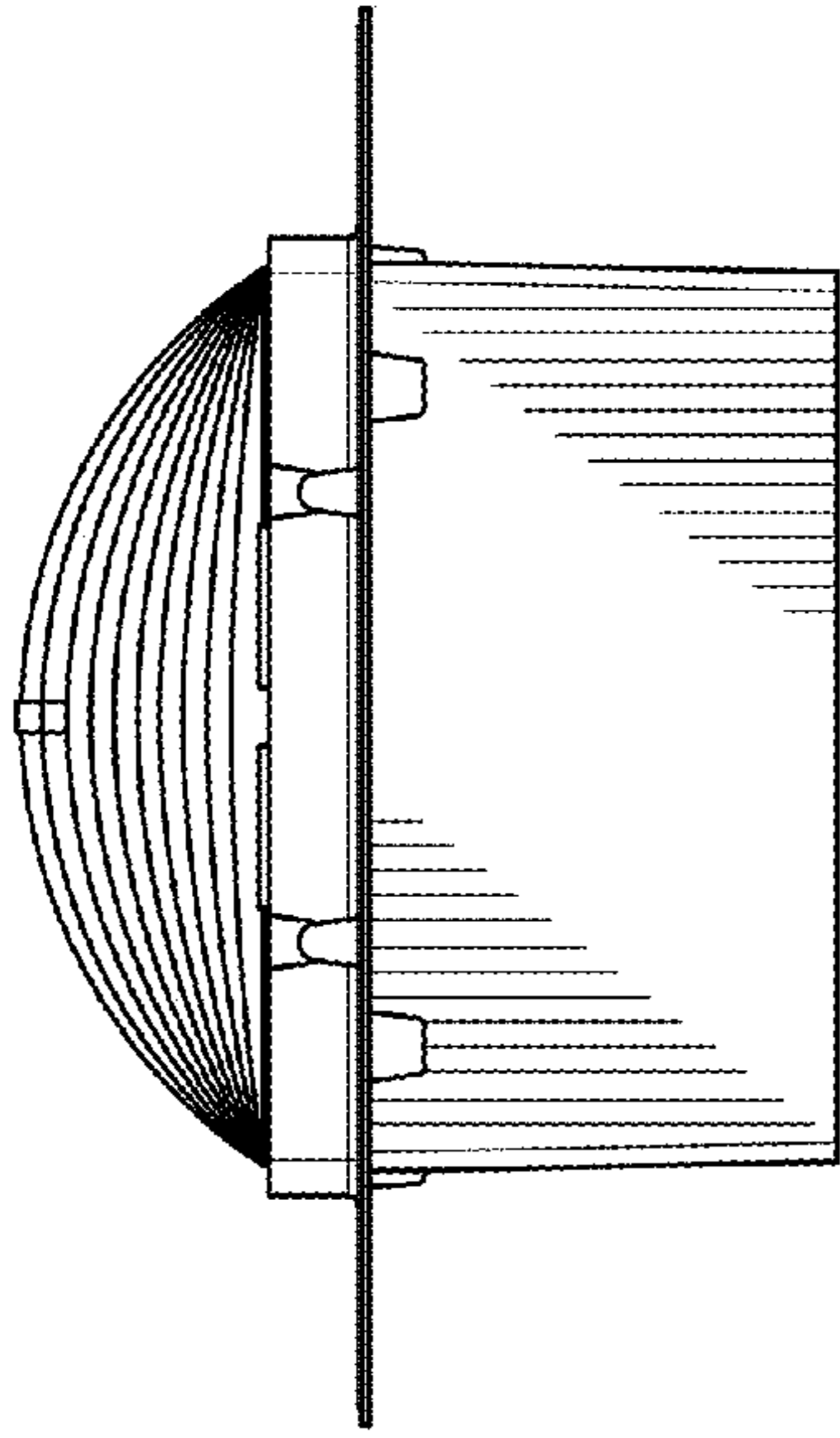


FIG. 5

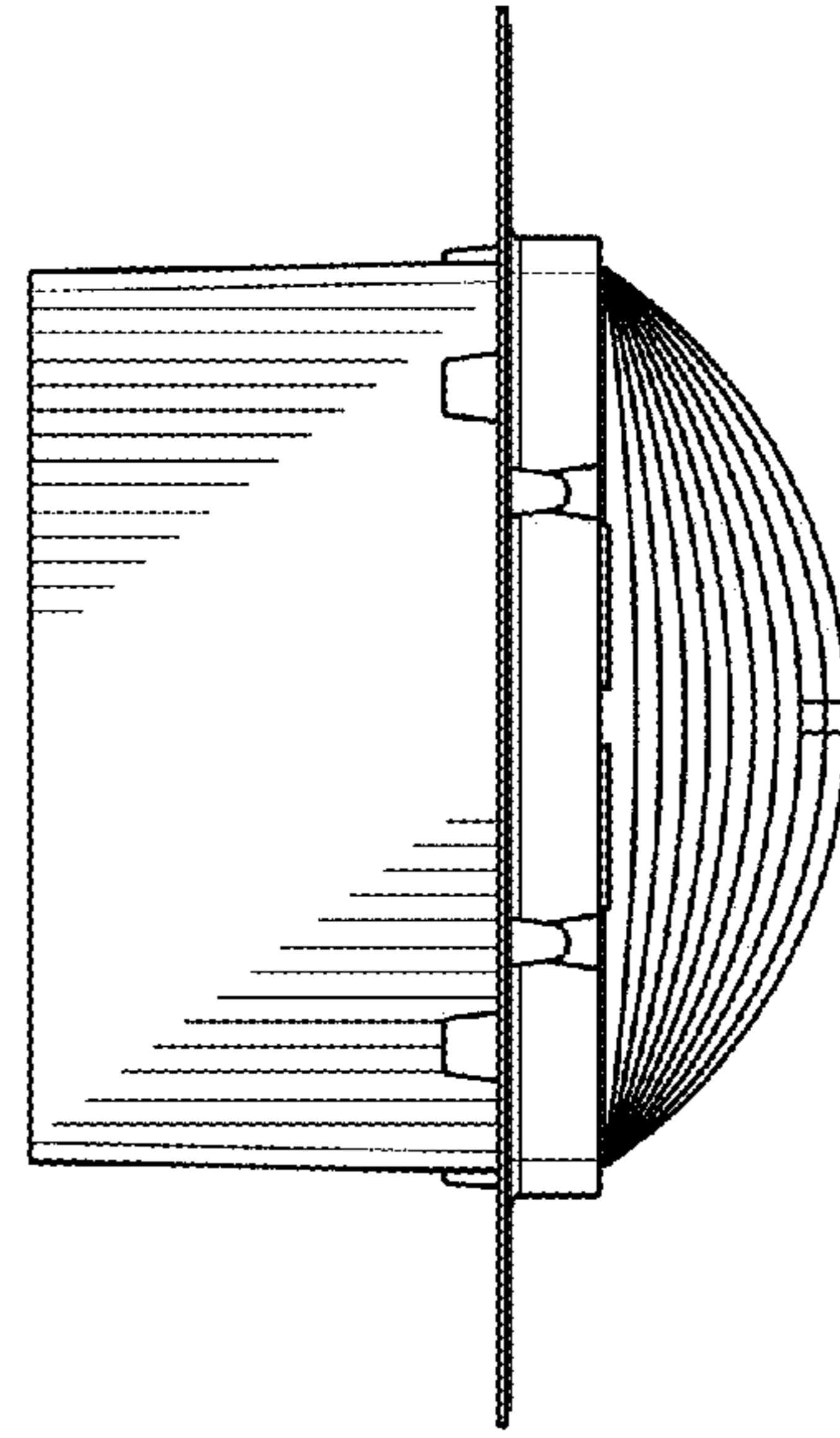


FIG. 6

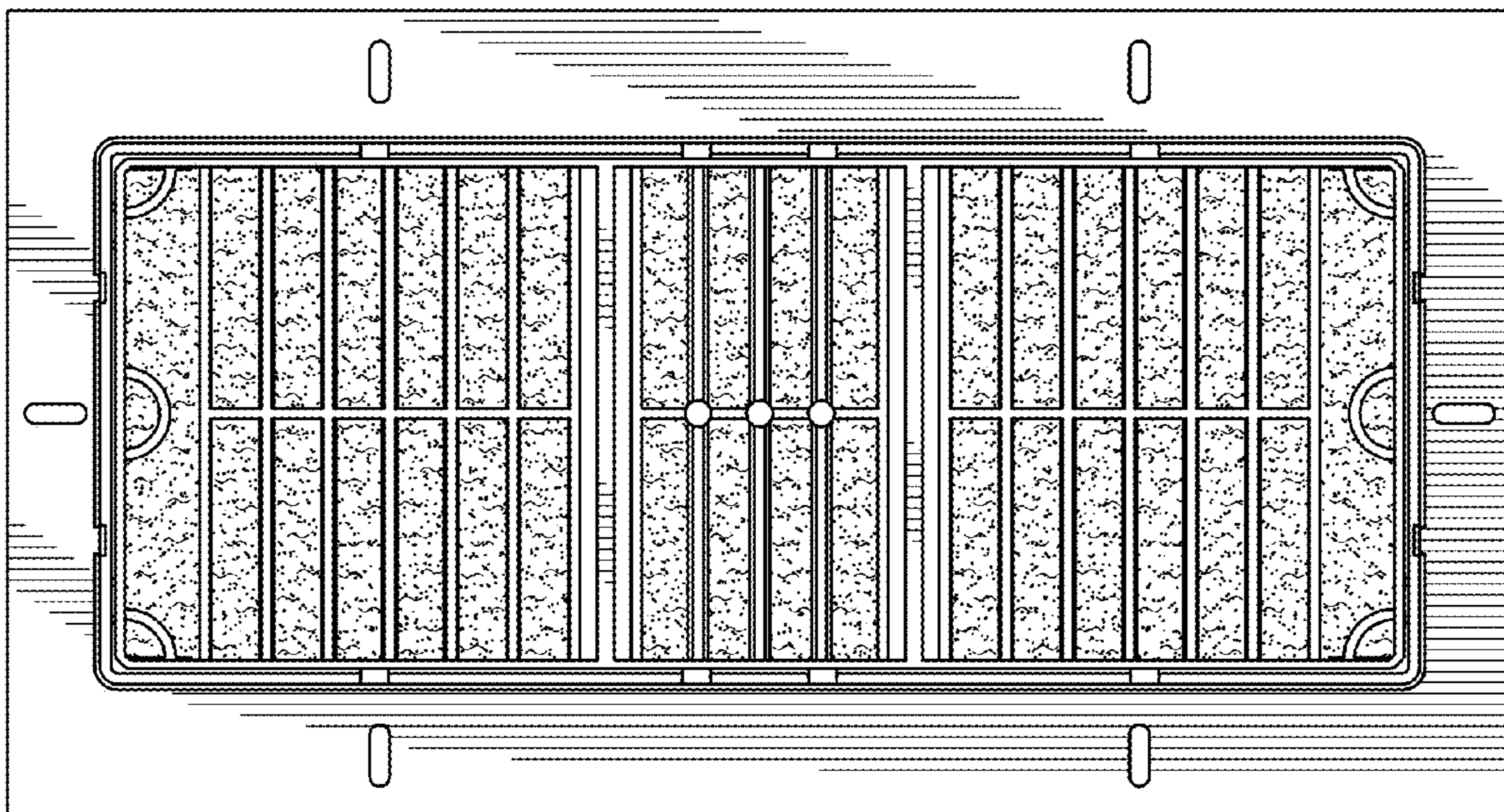


FIG. 7

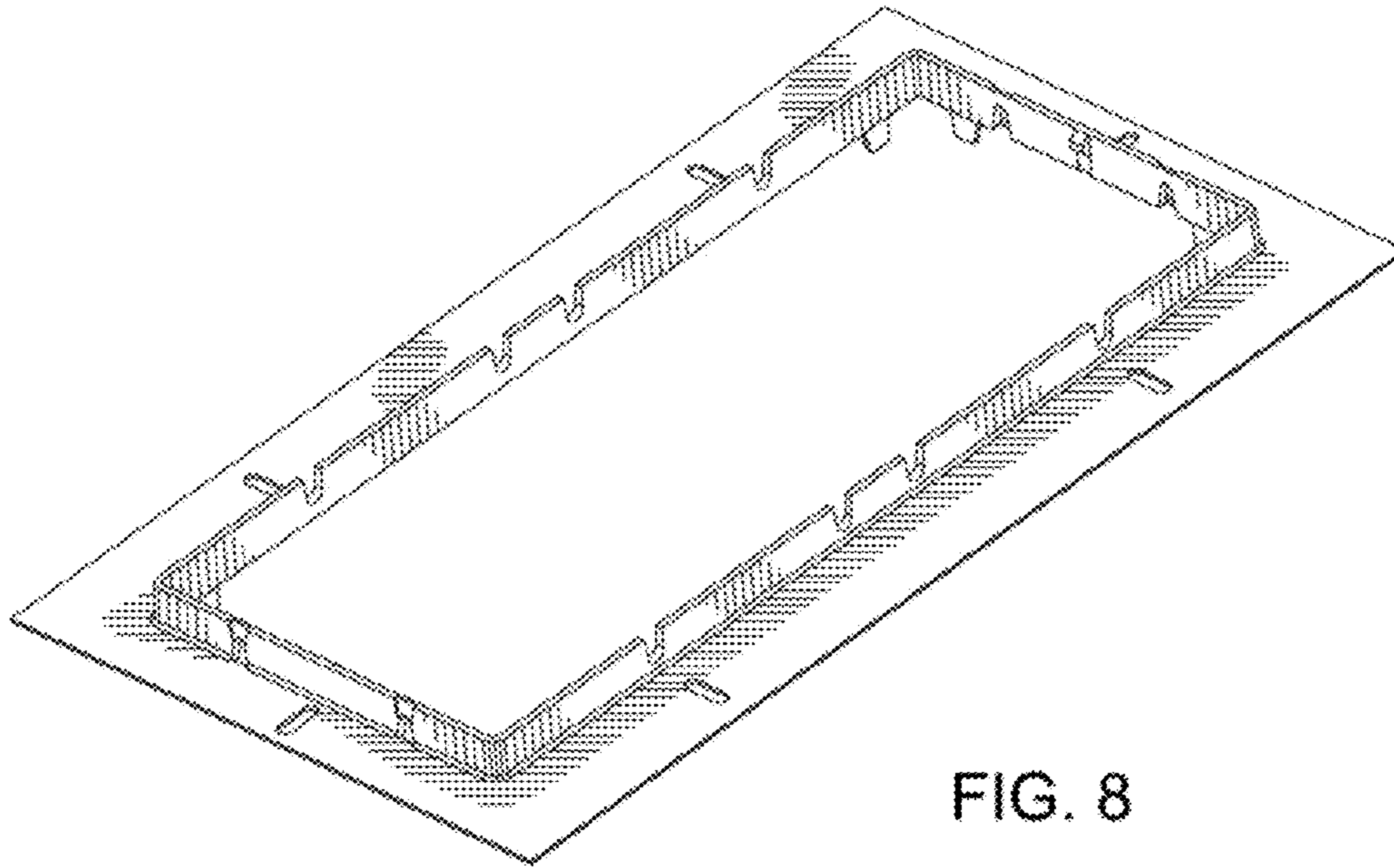


FIG. 8

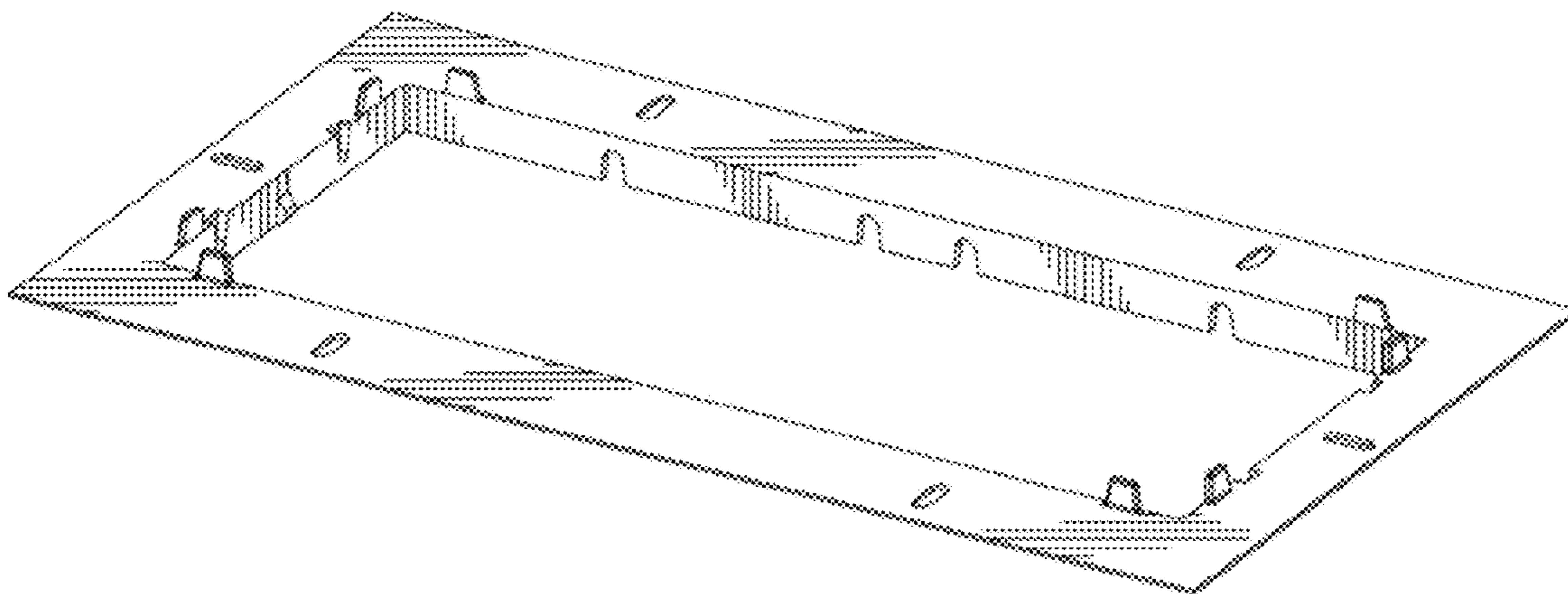


FIG. 9

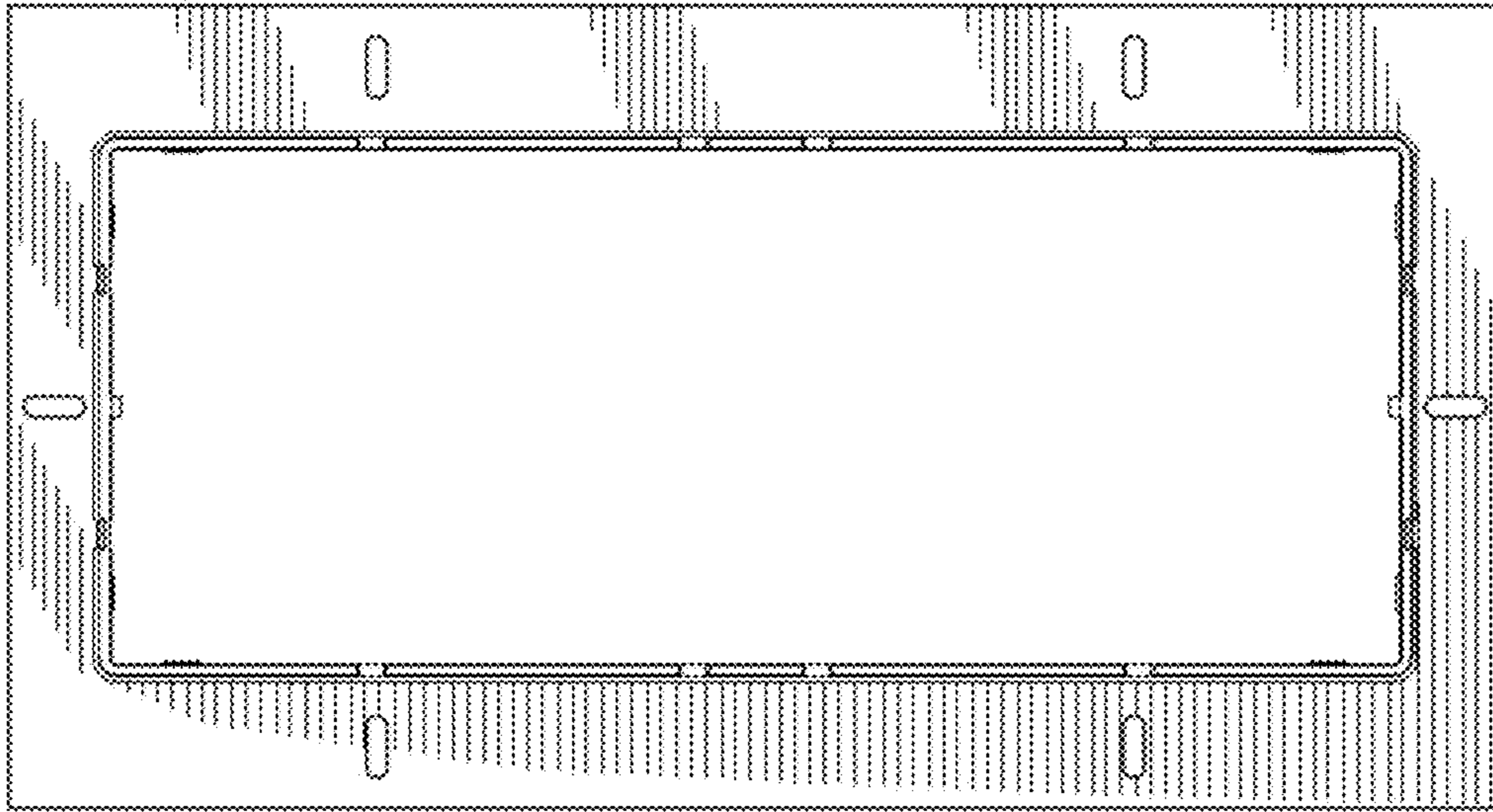


FIG. 10

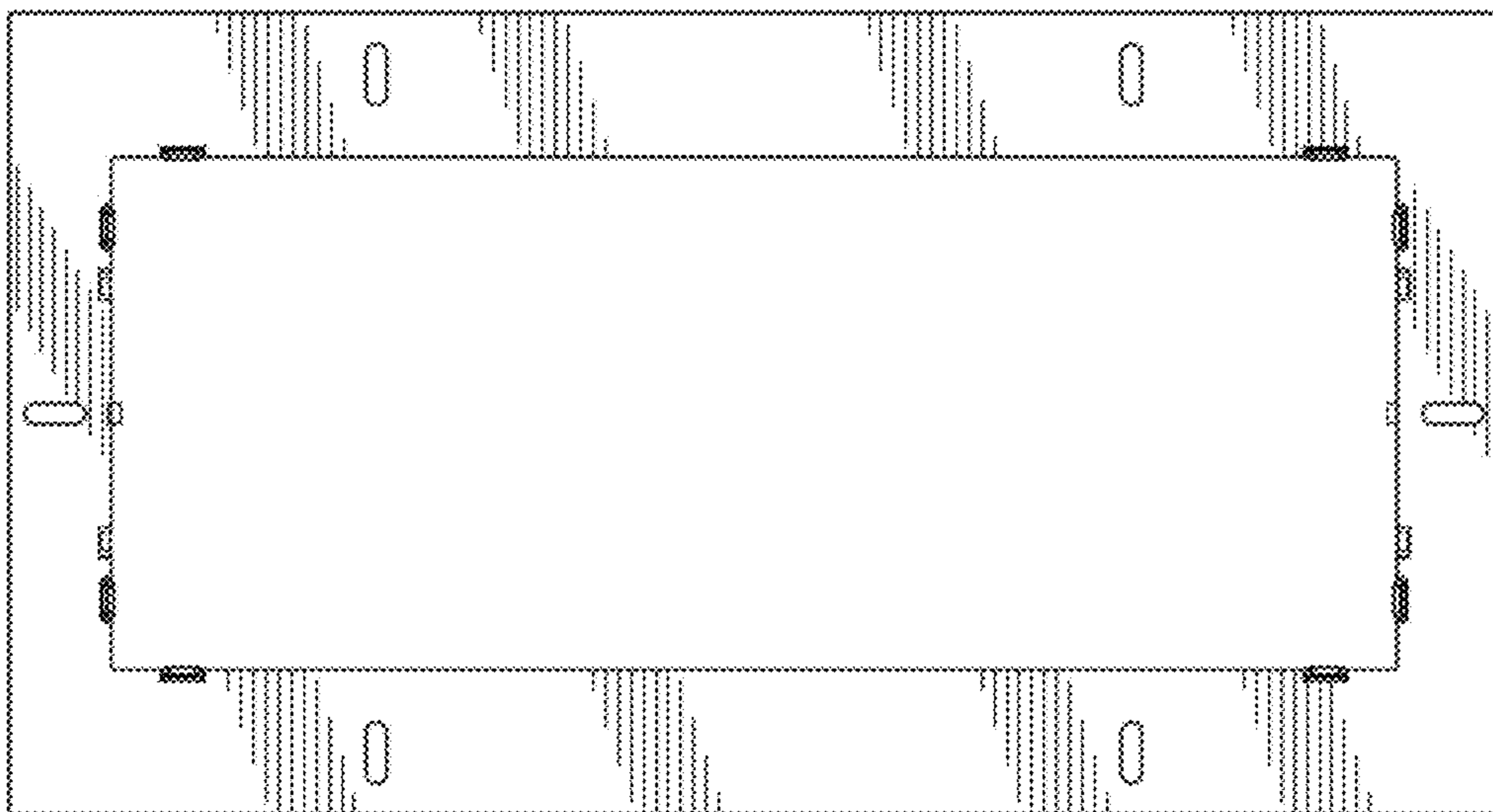


FIG. 11



FIG. 12



FIG. 13

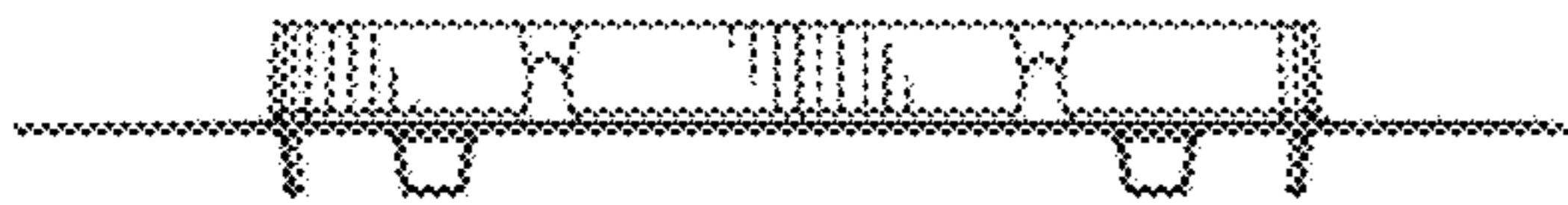


FIG. 14



FIG. 15

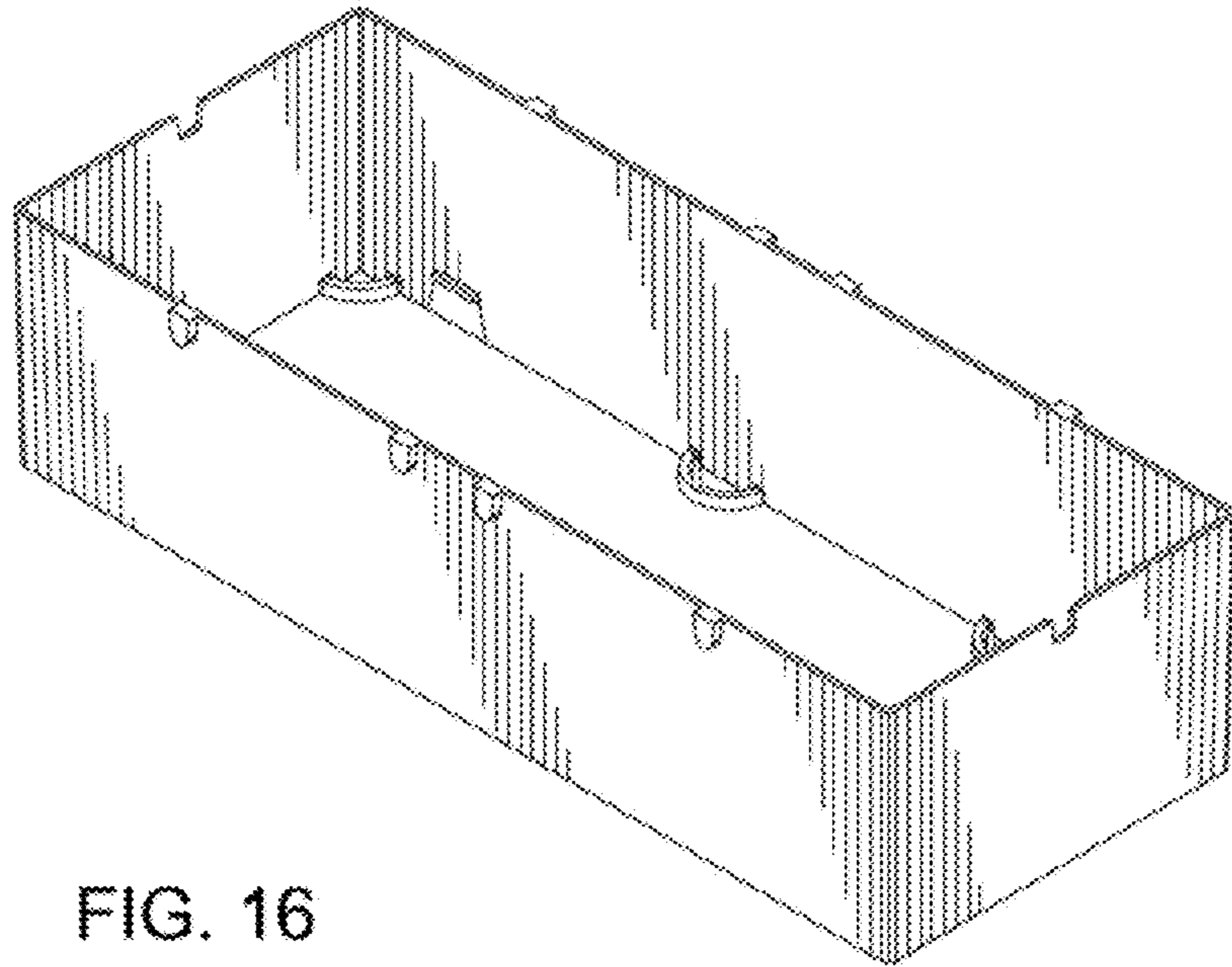


FIG. 16

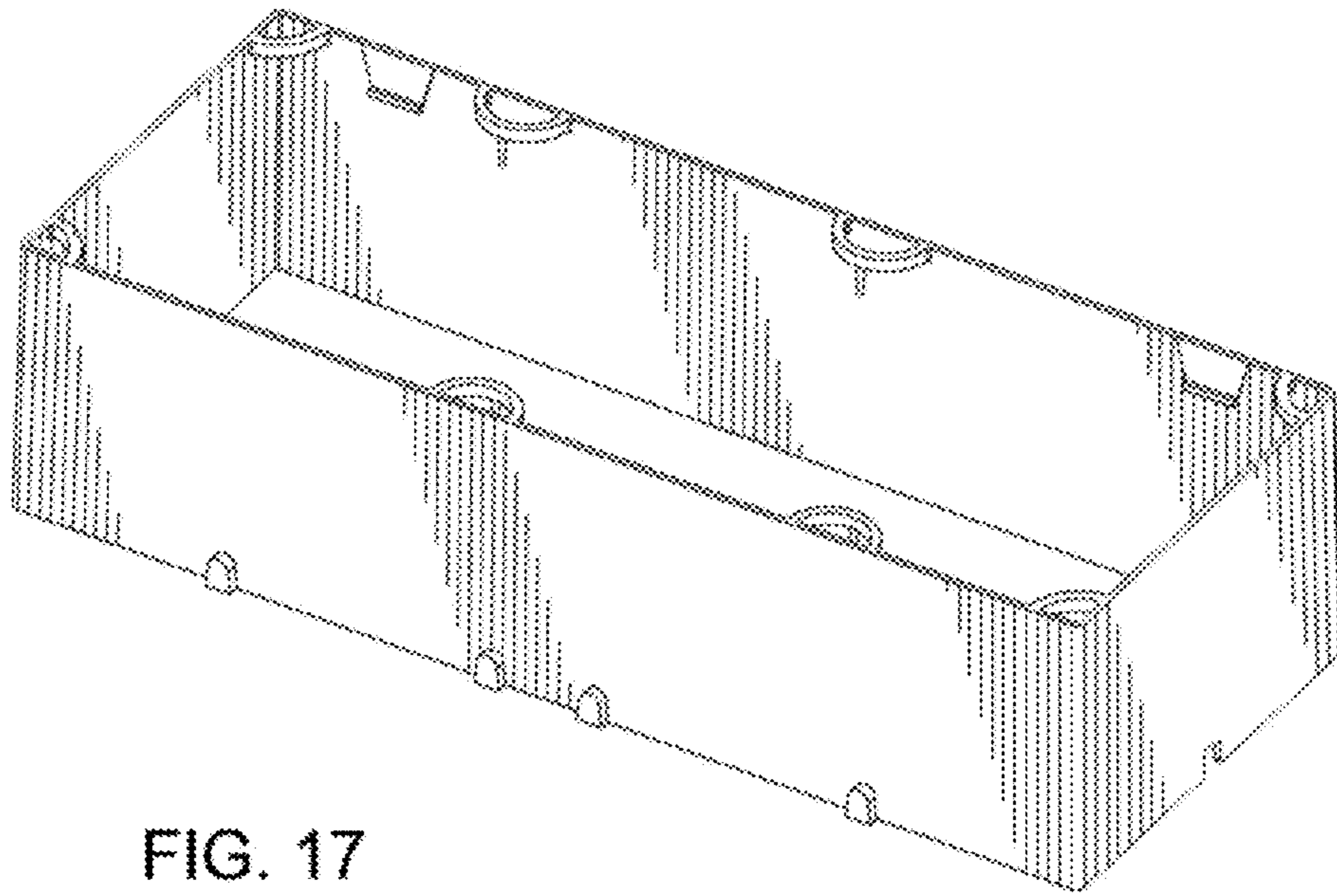


FIG. 17

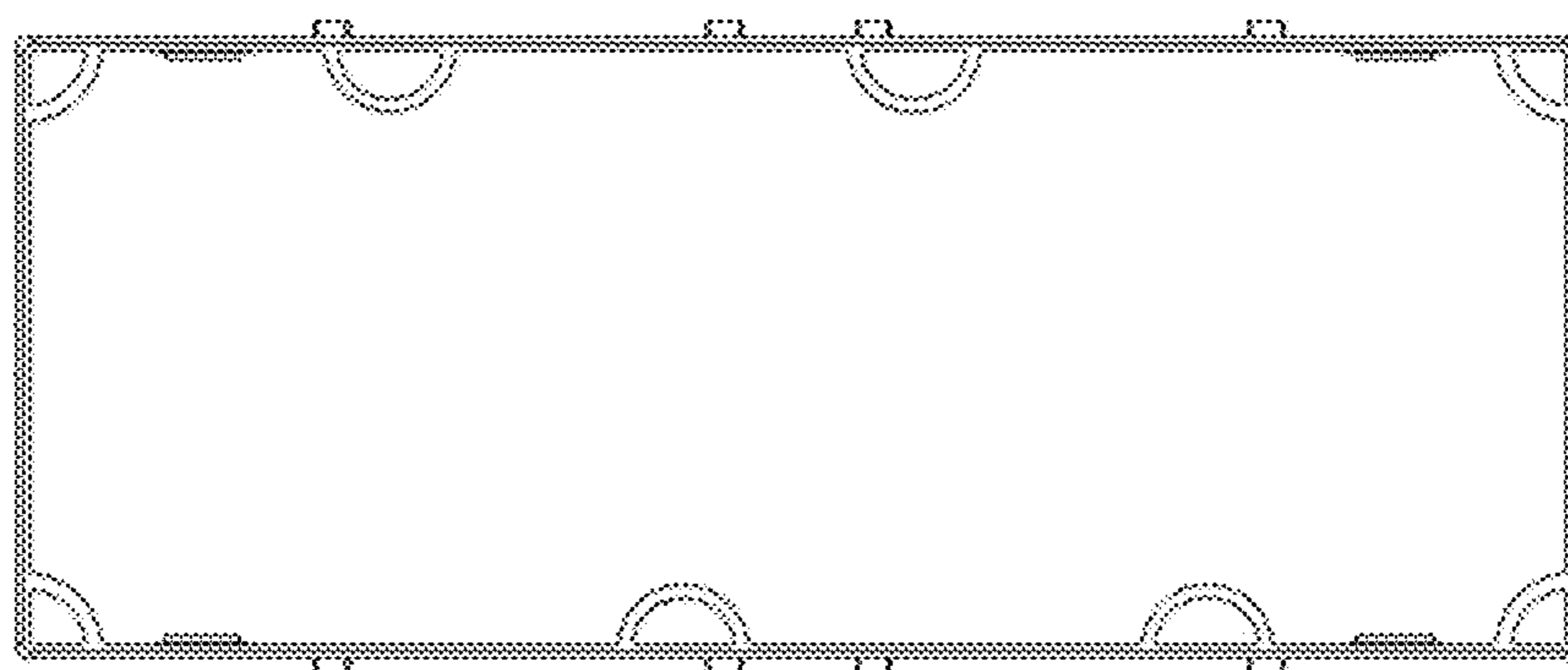


FIG. 18

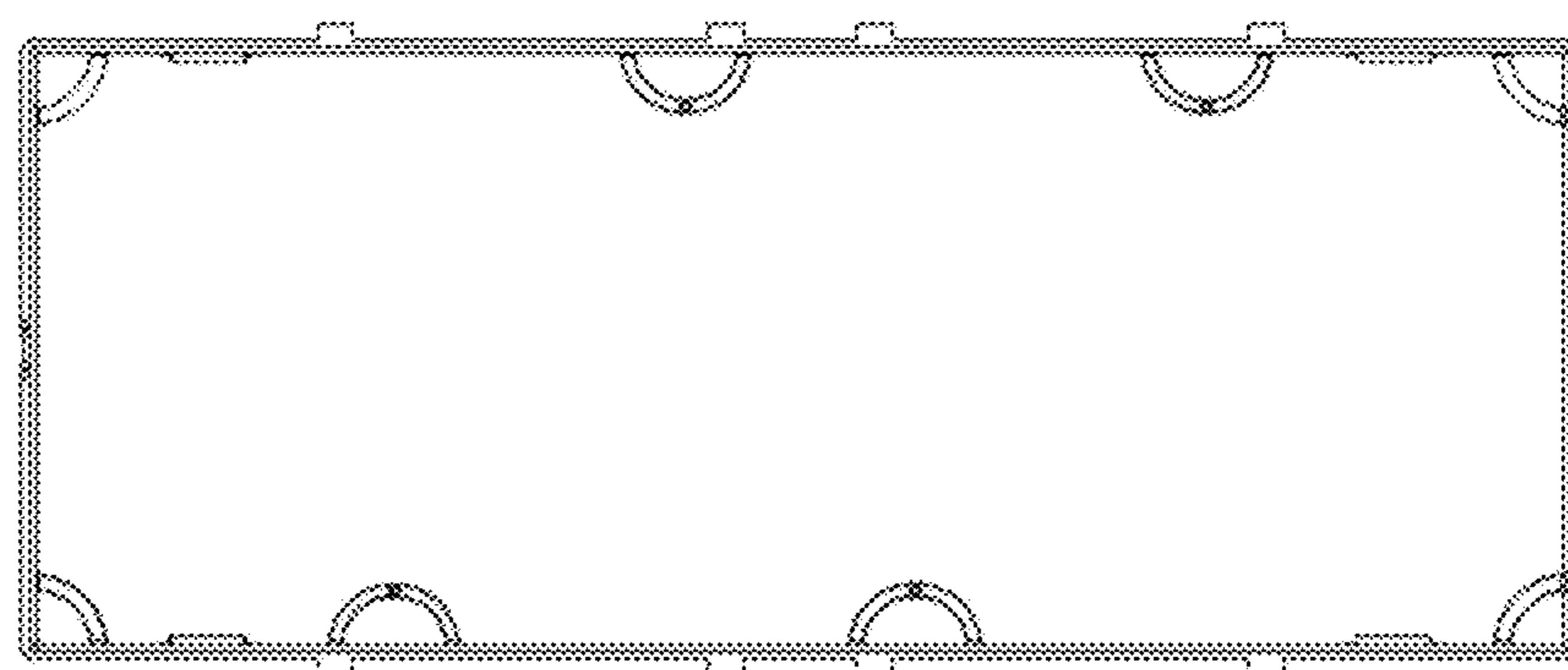


FIG. 19

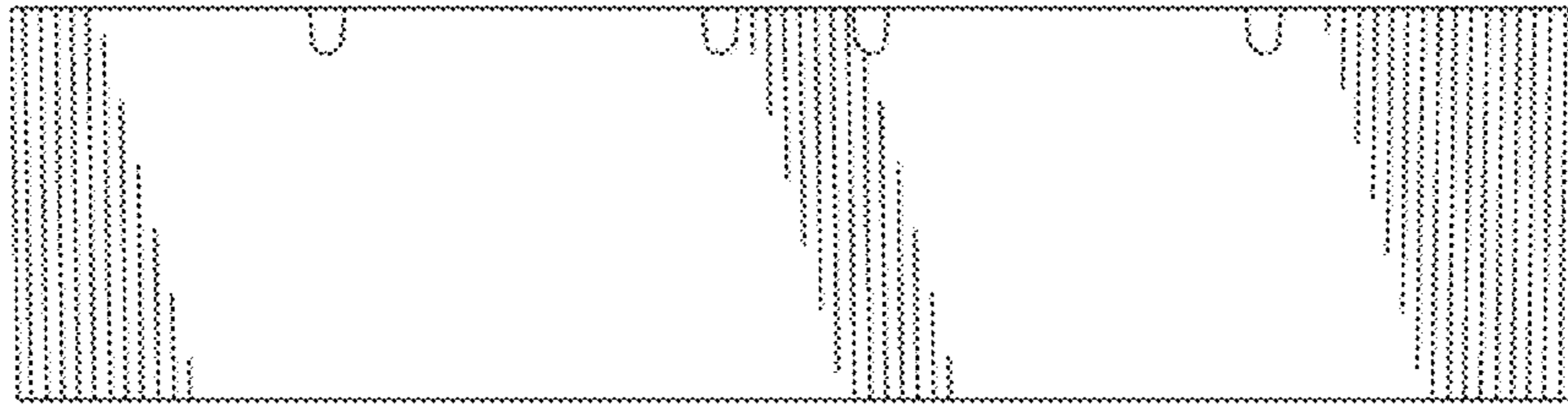


FIG. 20

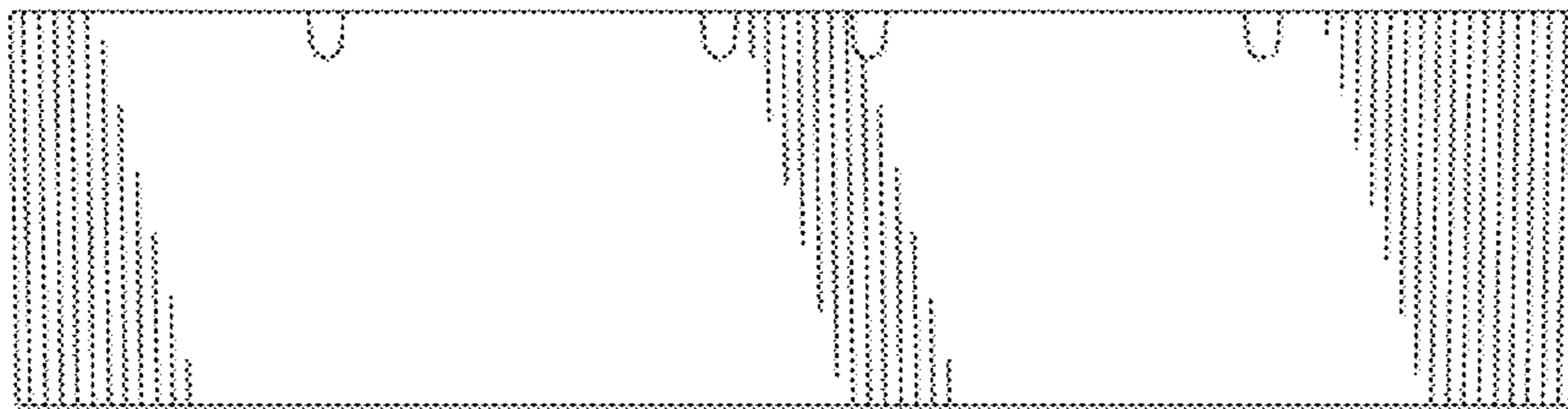


FIG. 21

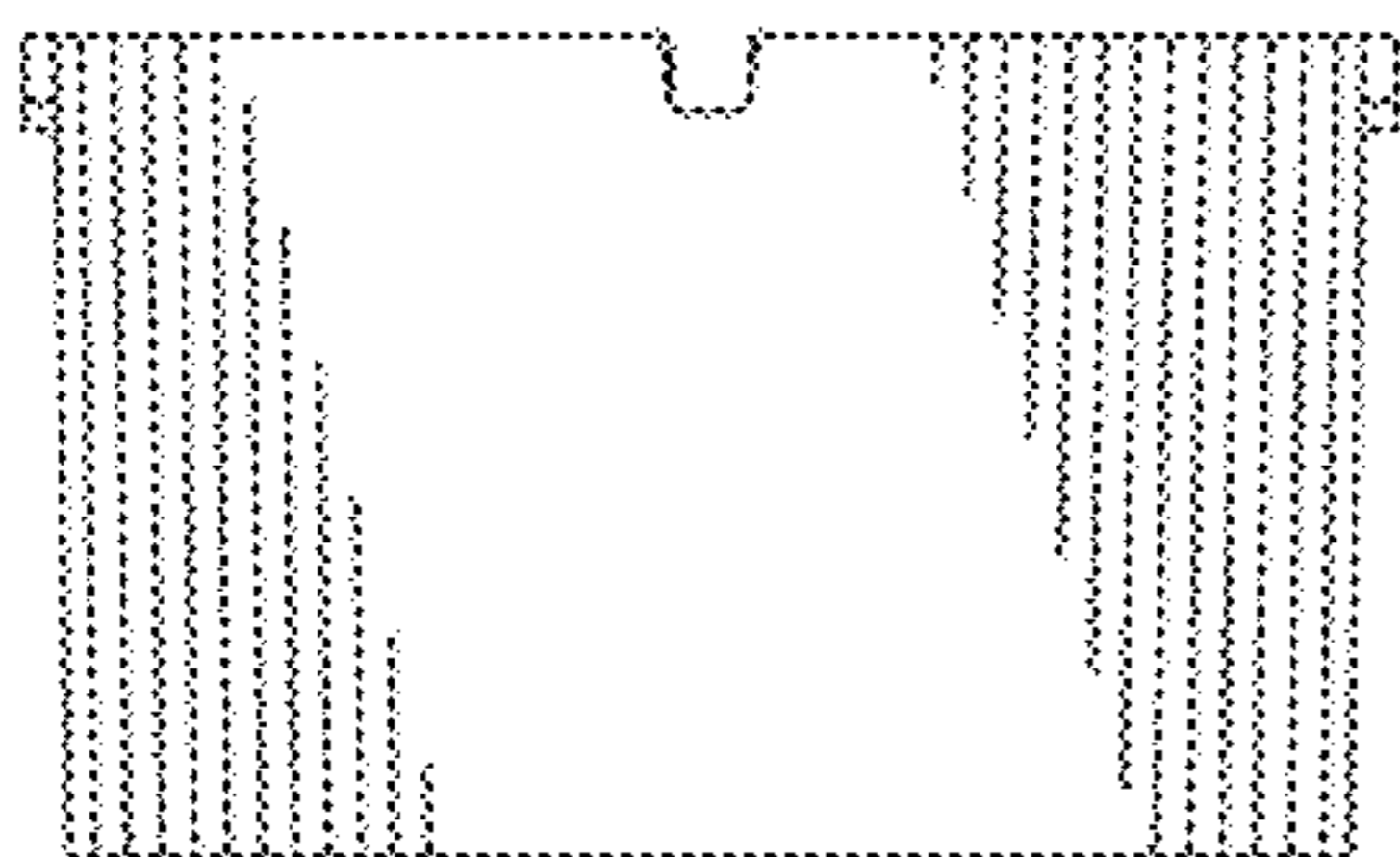


FIG. 22

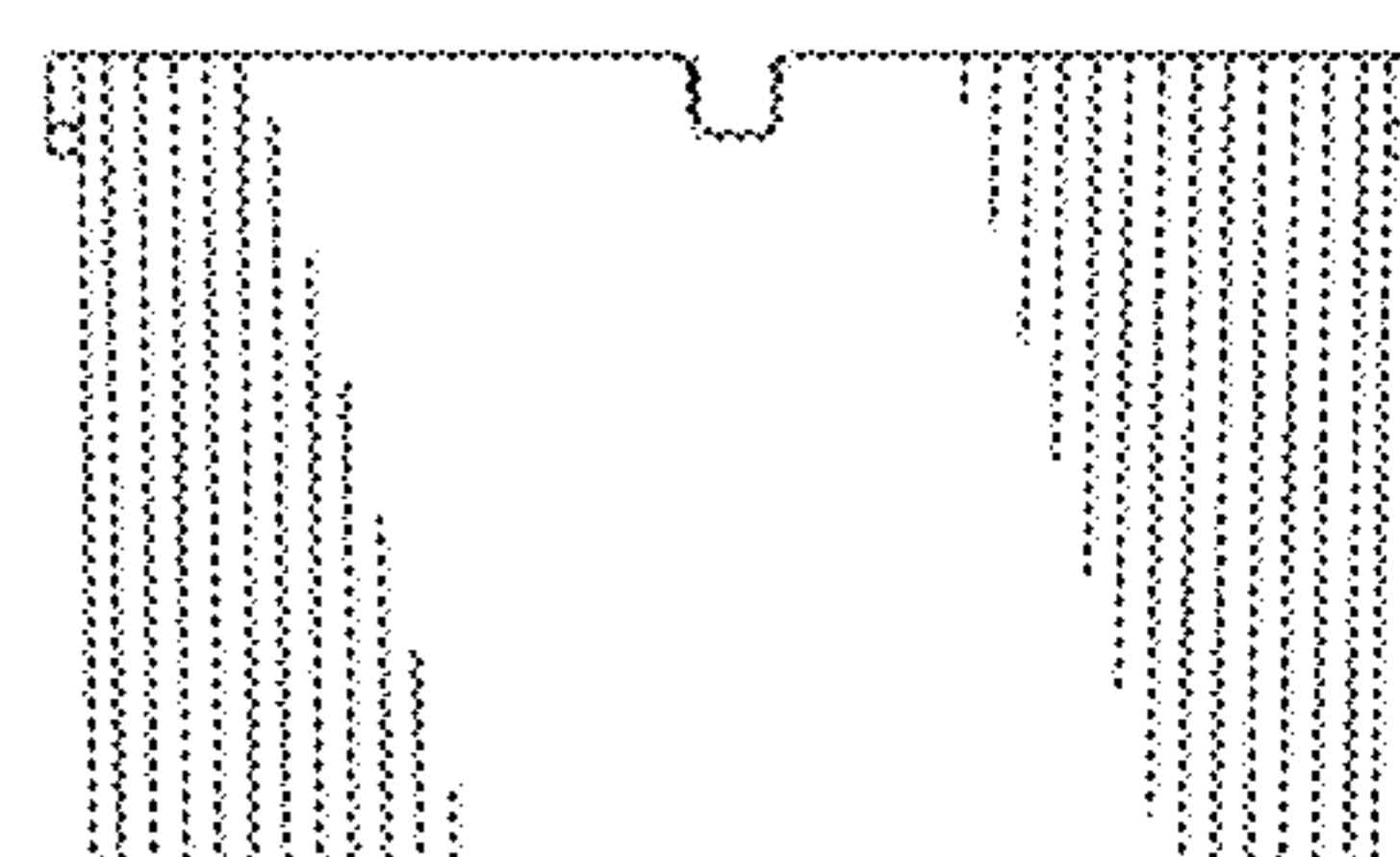


FIG. 23

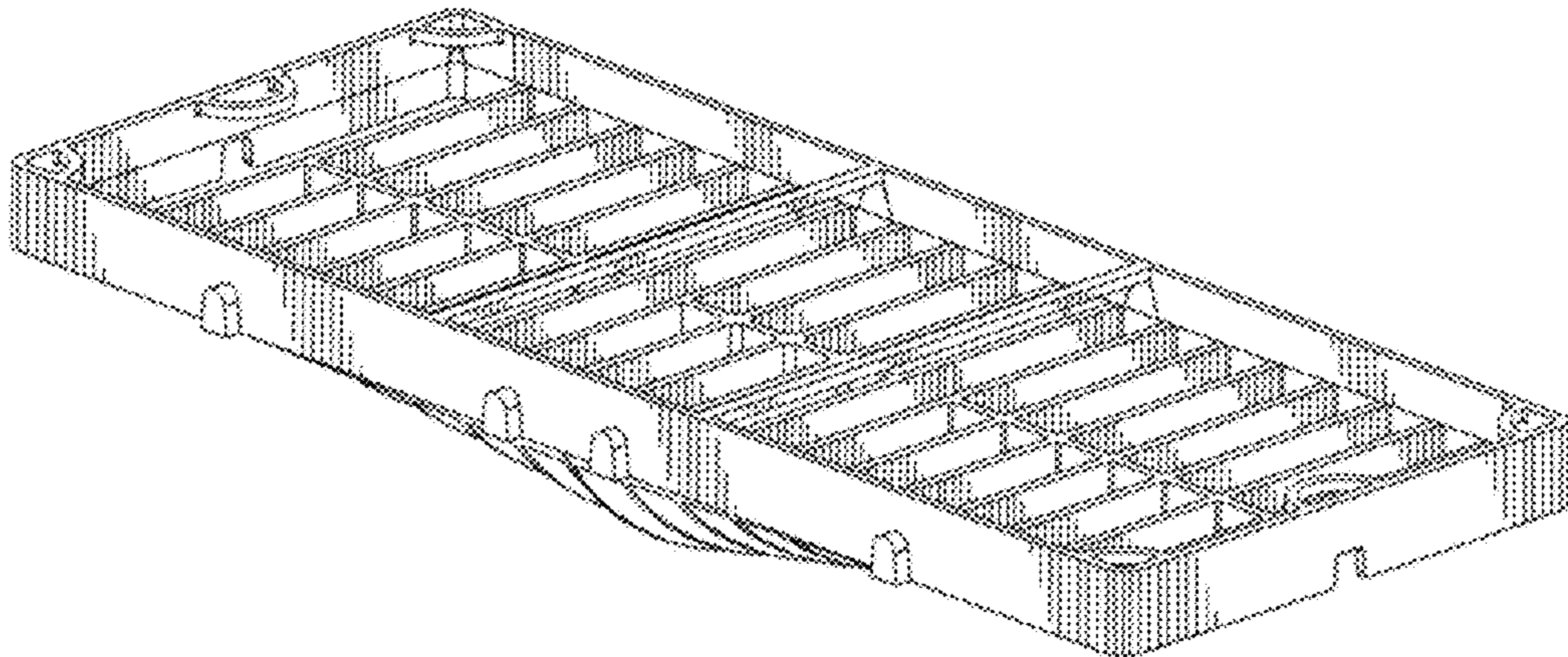


FIG. 24

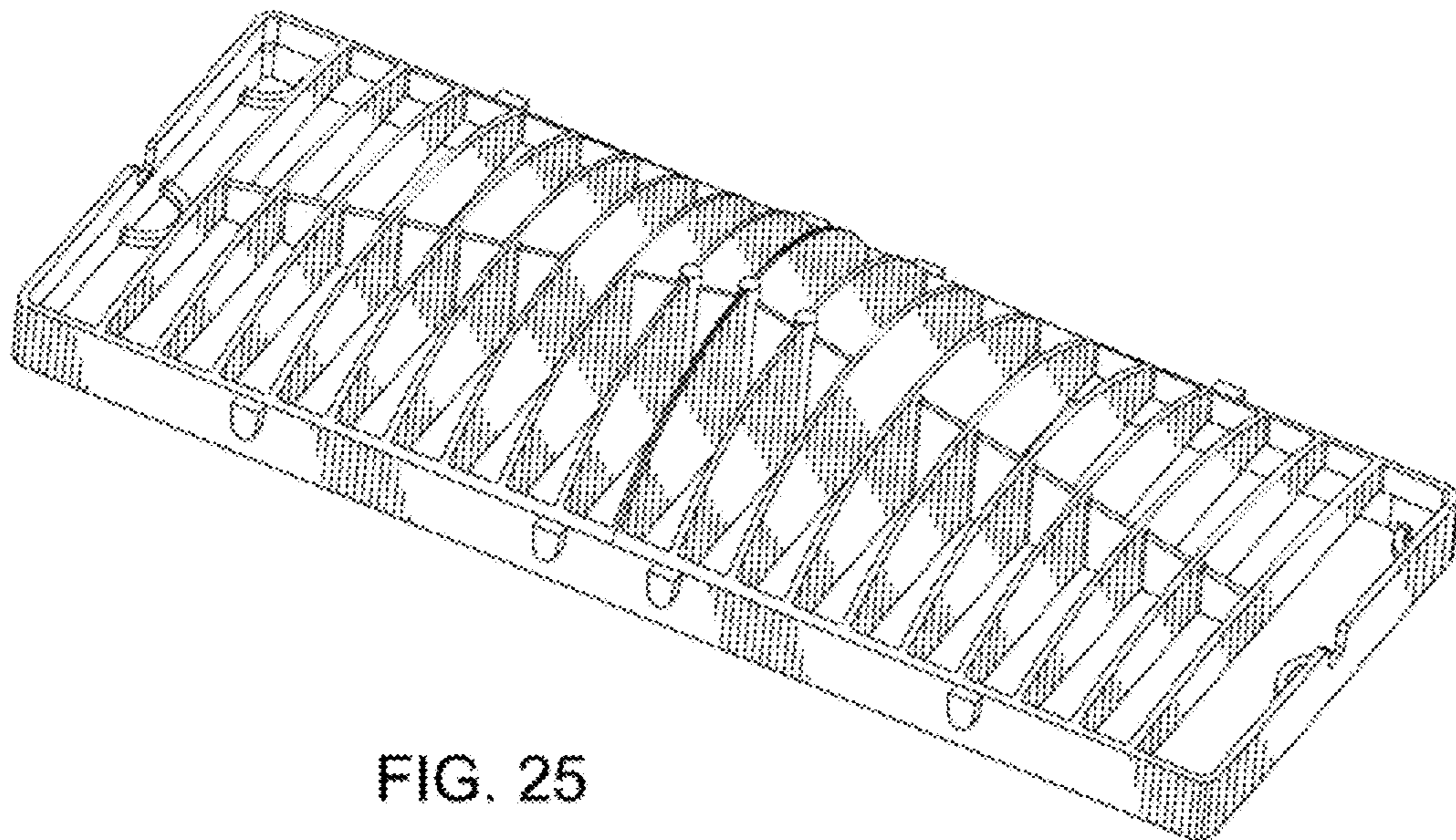


FIG. 25

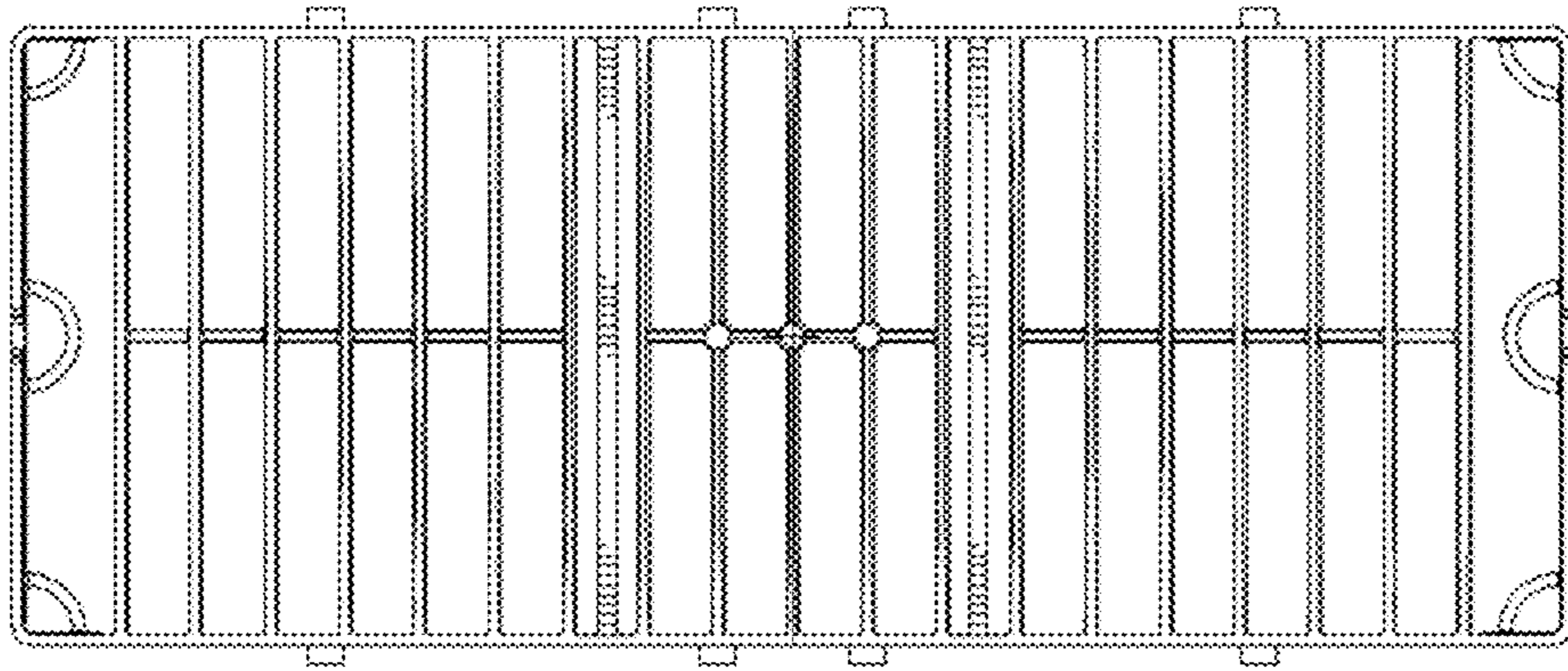


FIG. 26

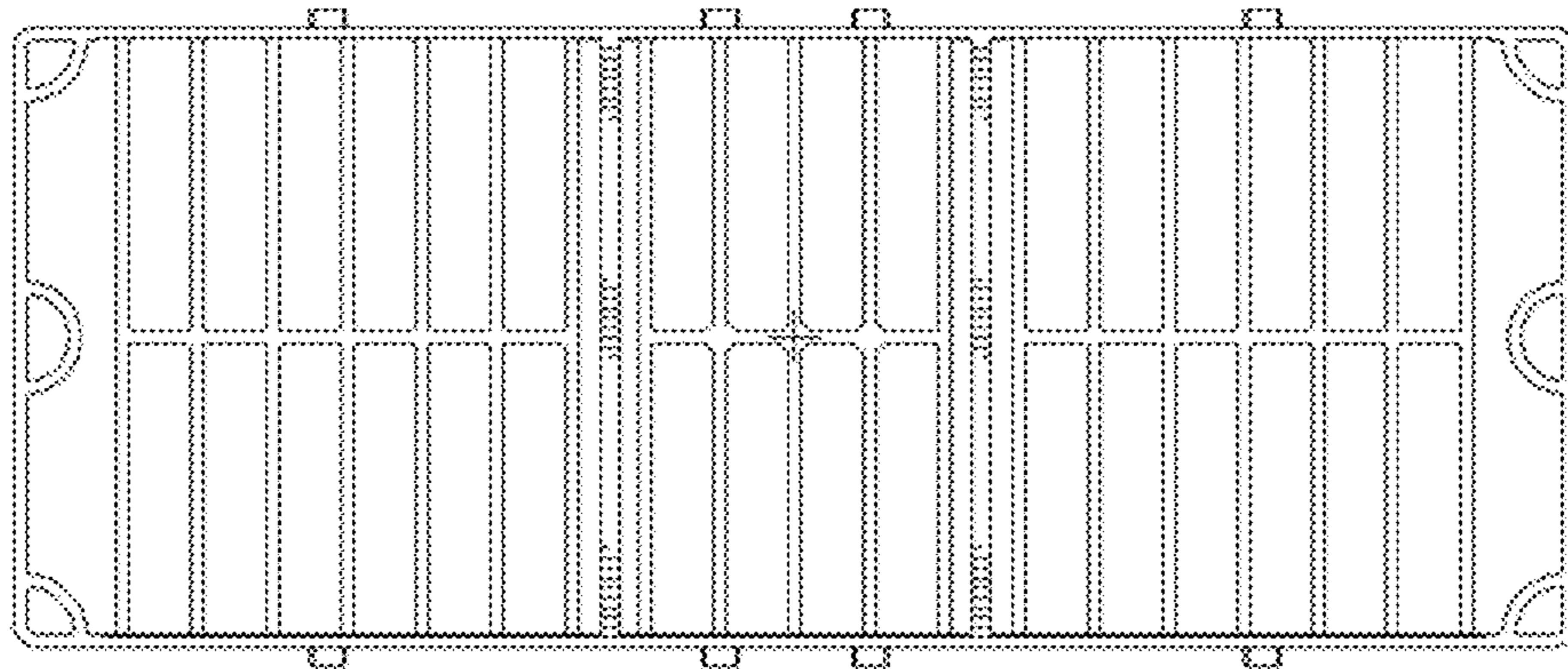


FIG. 27

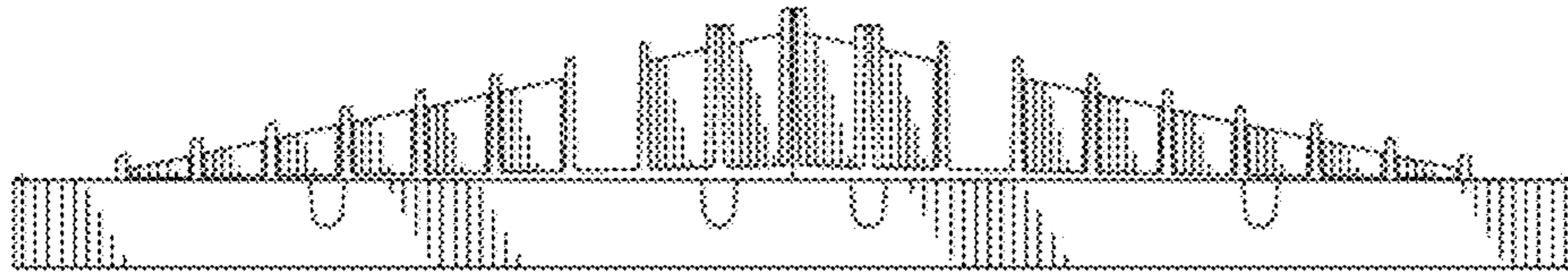


FIG. 28

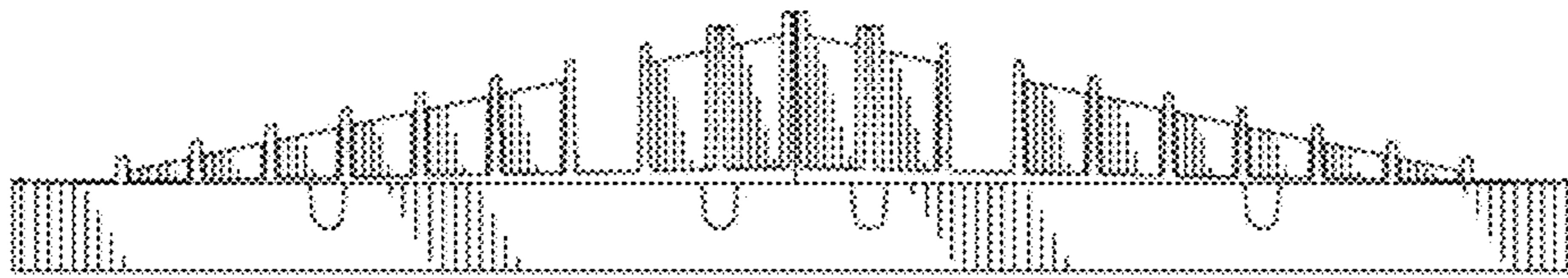


FIG. 29

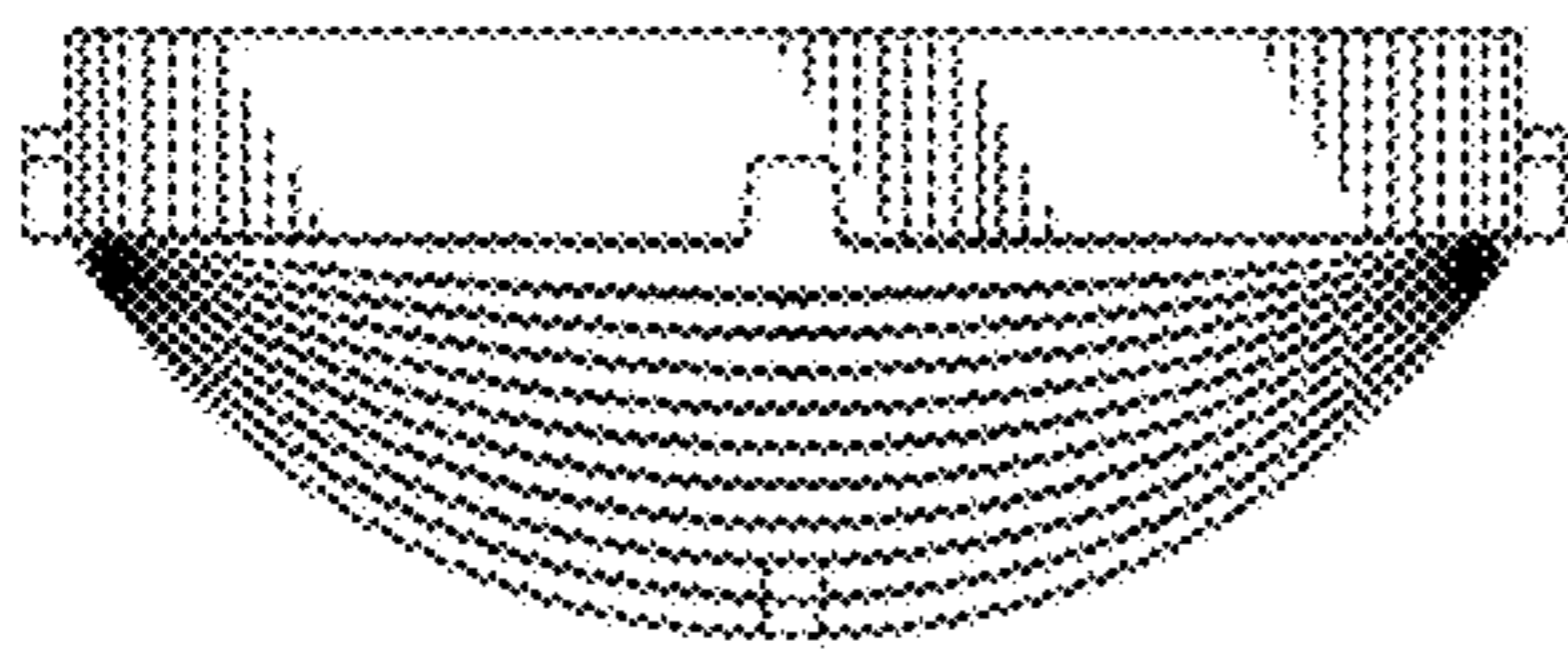


FIG. 30

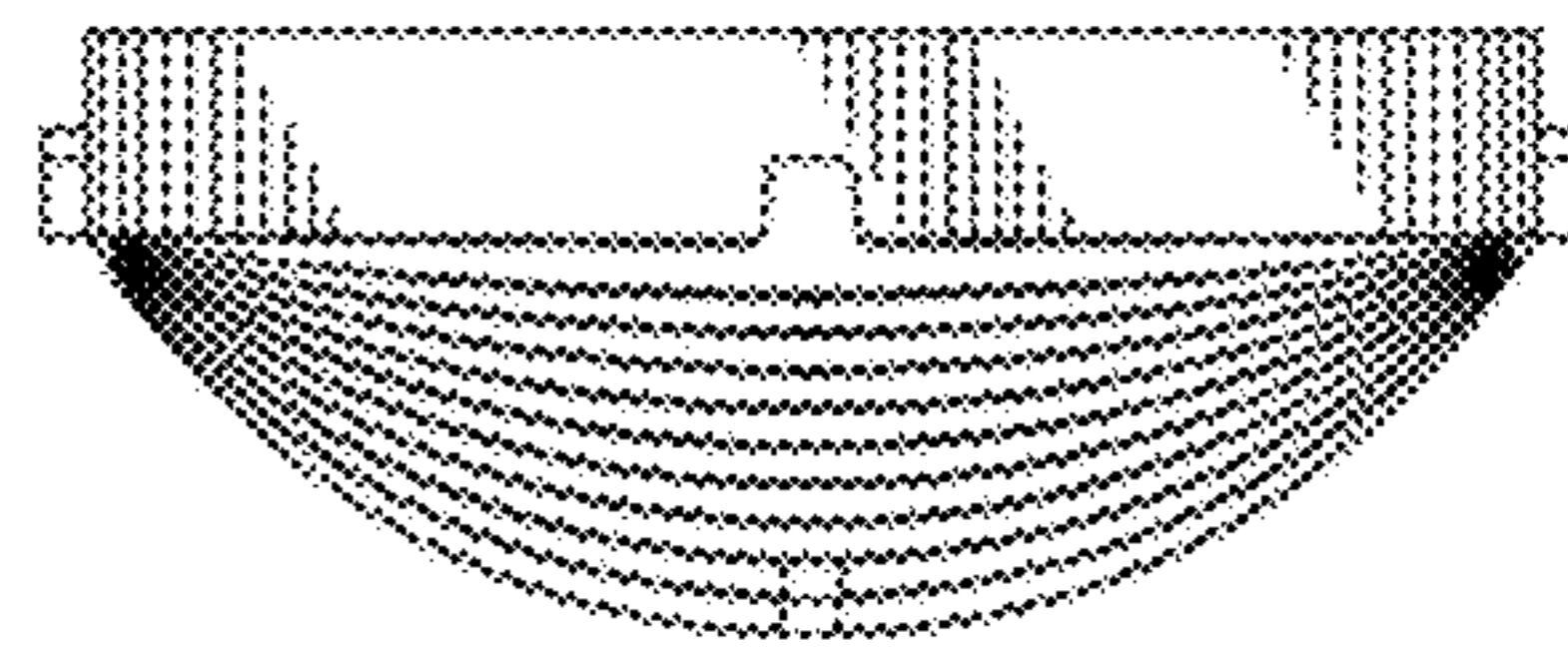


FIG. 31

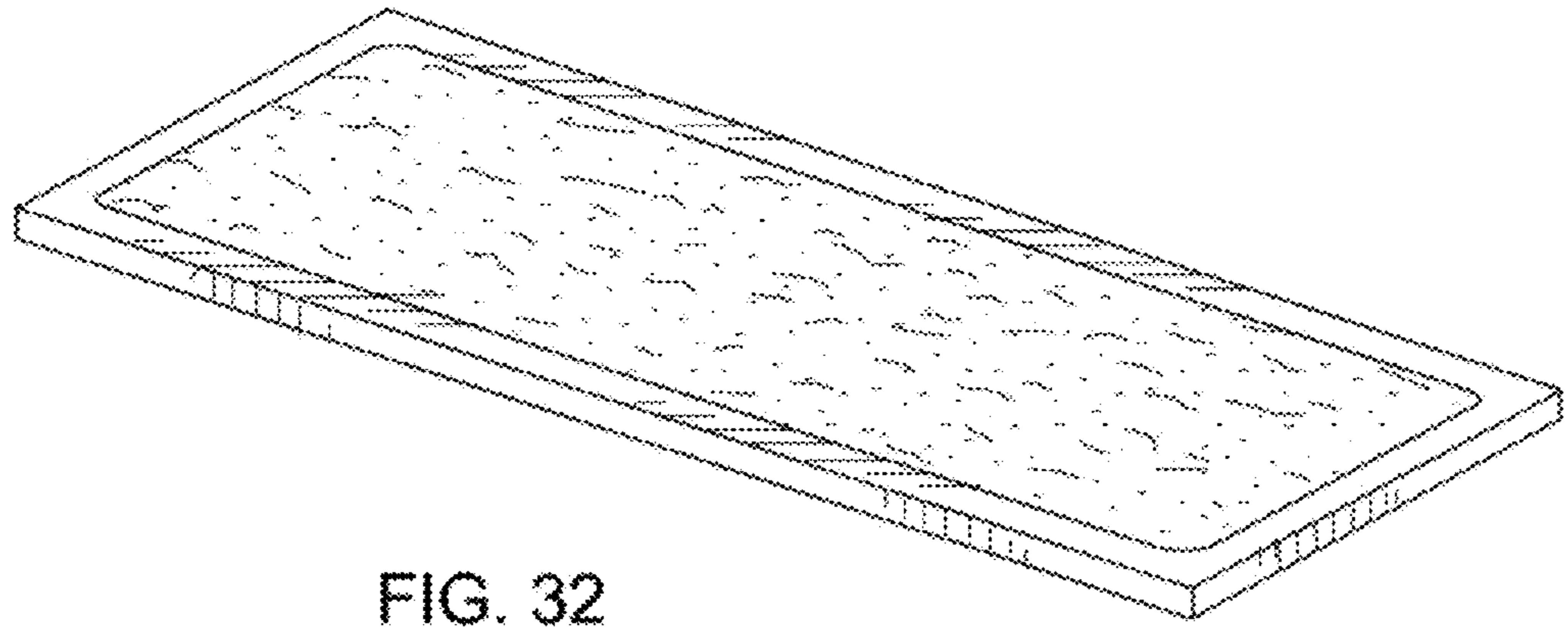


FIG. 32

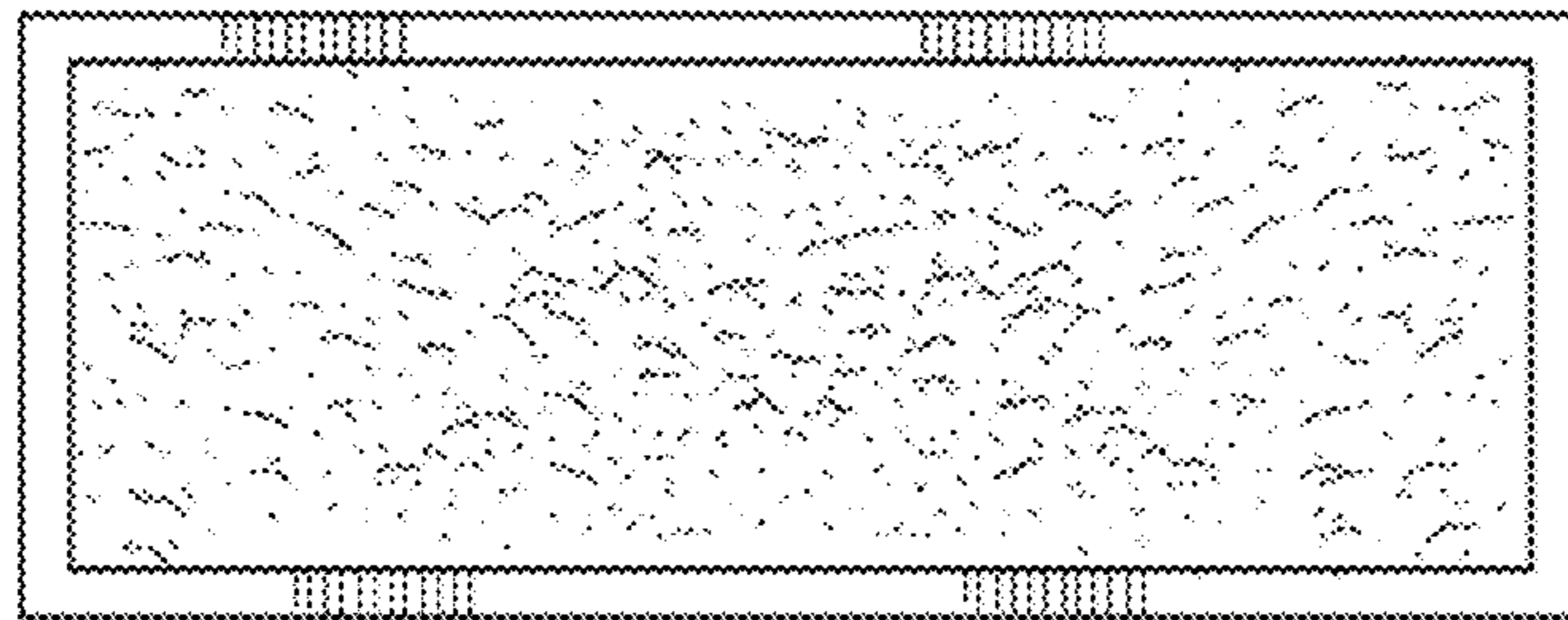


FIG. 33



FIG. 34

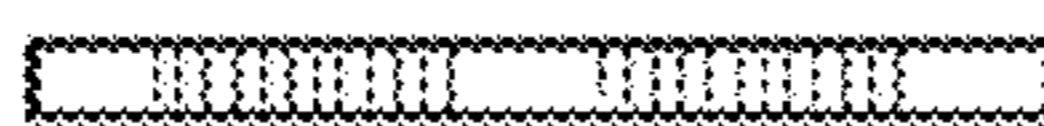


FIG. 35

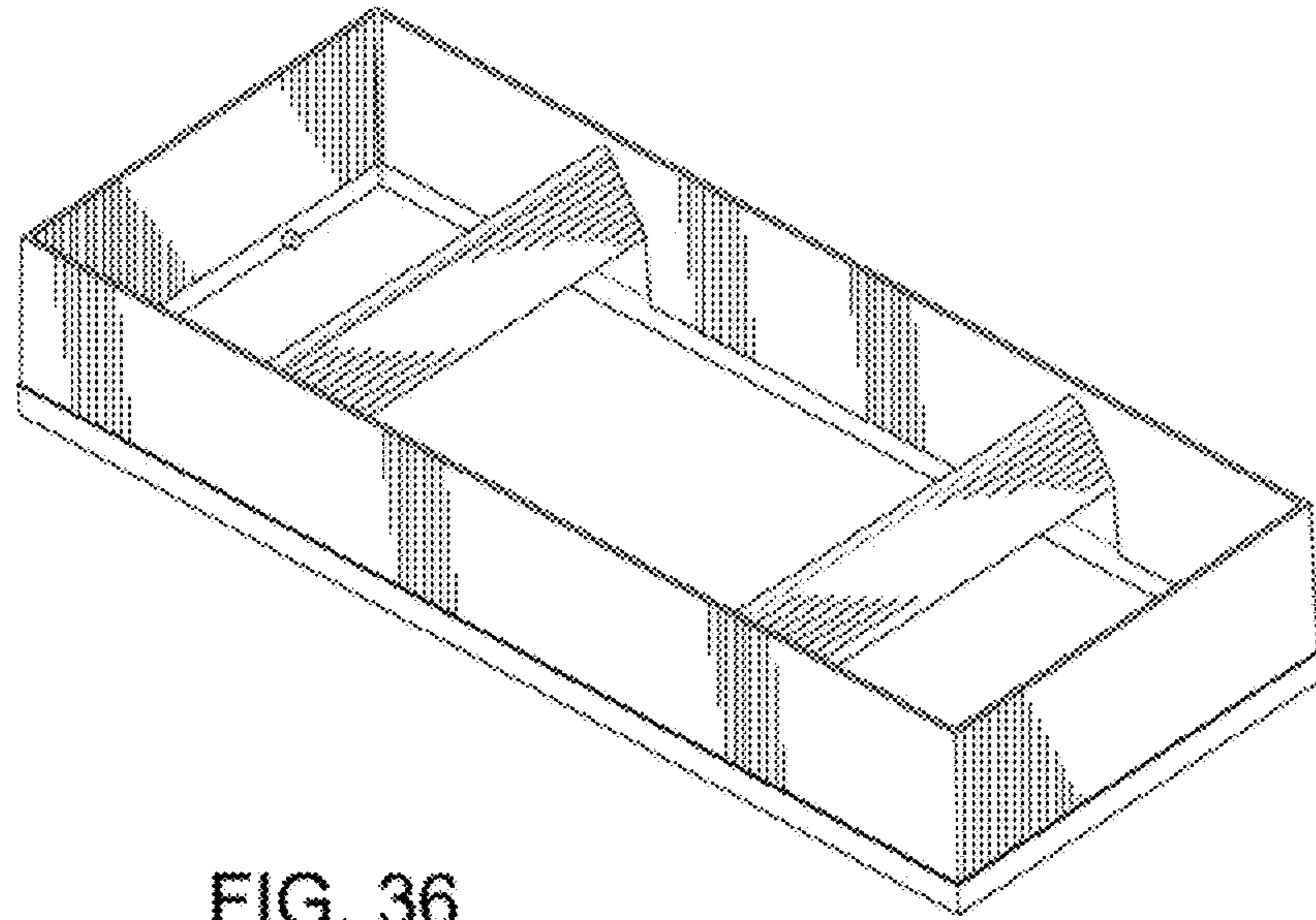


FIG. 36

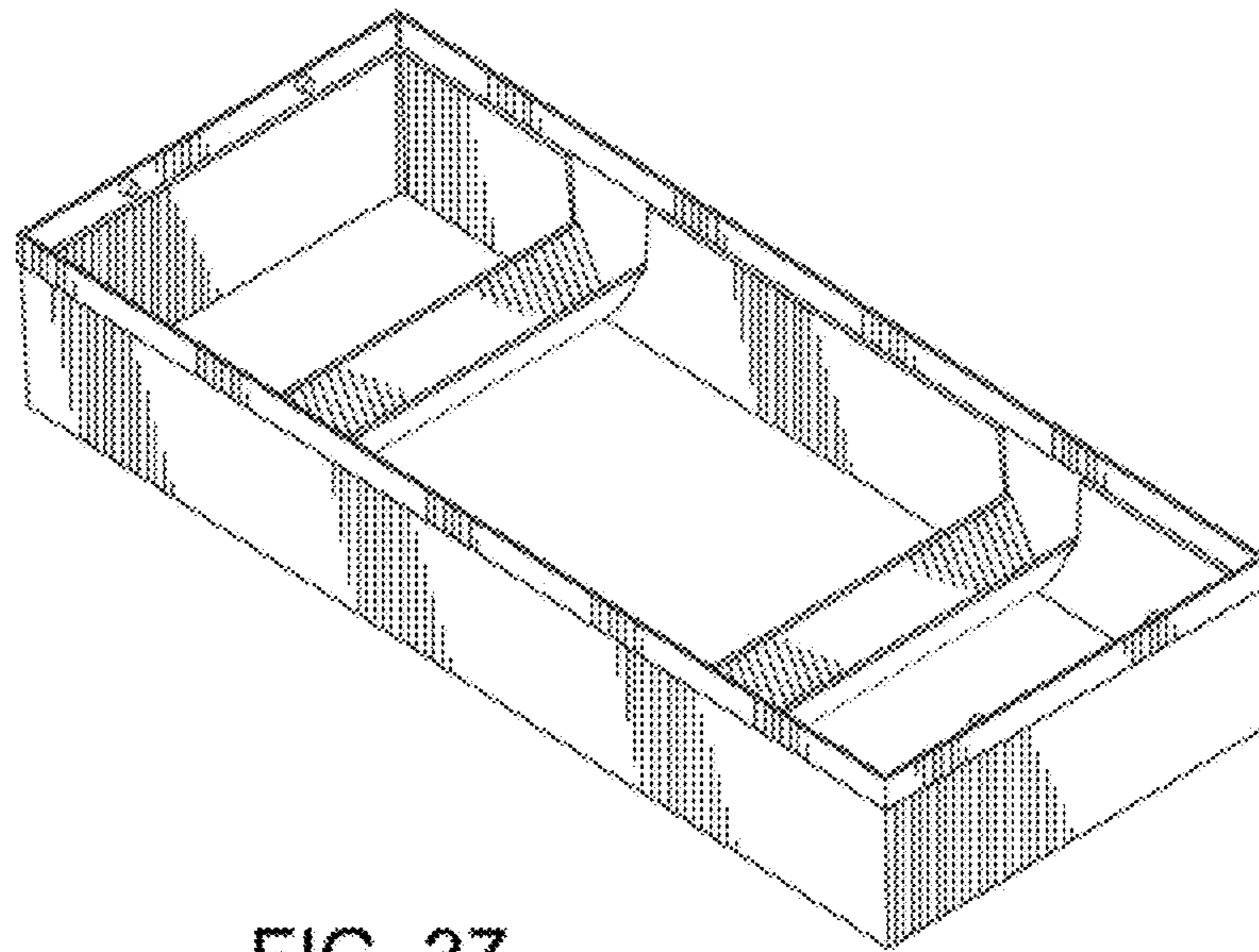


FIG. 37

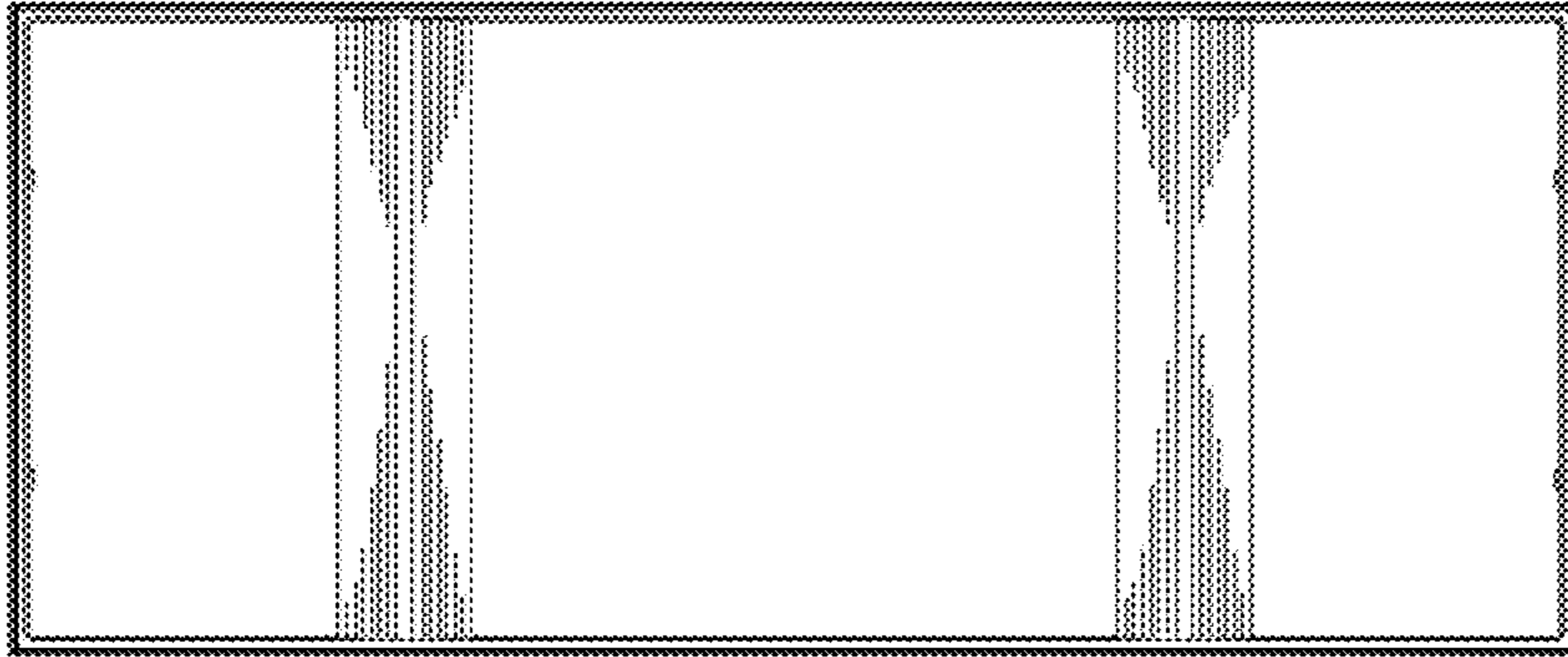


FIG. 38

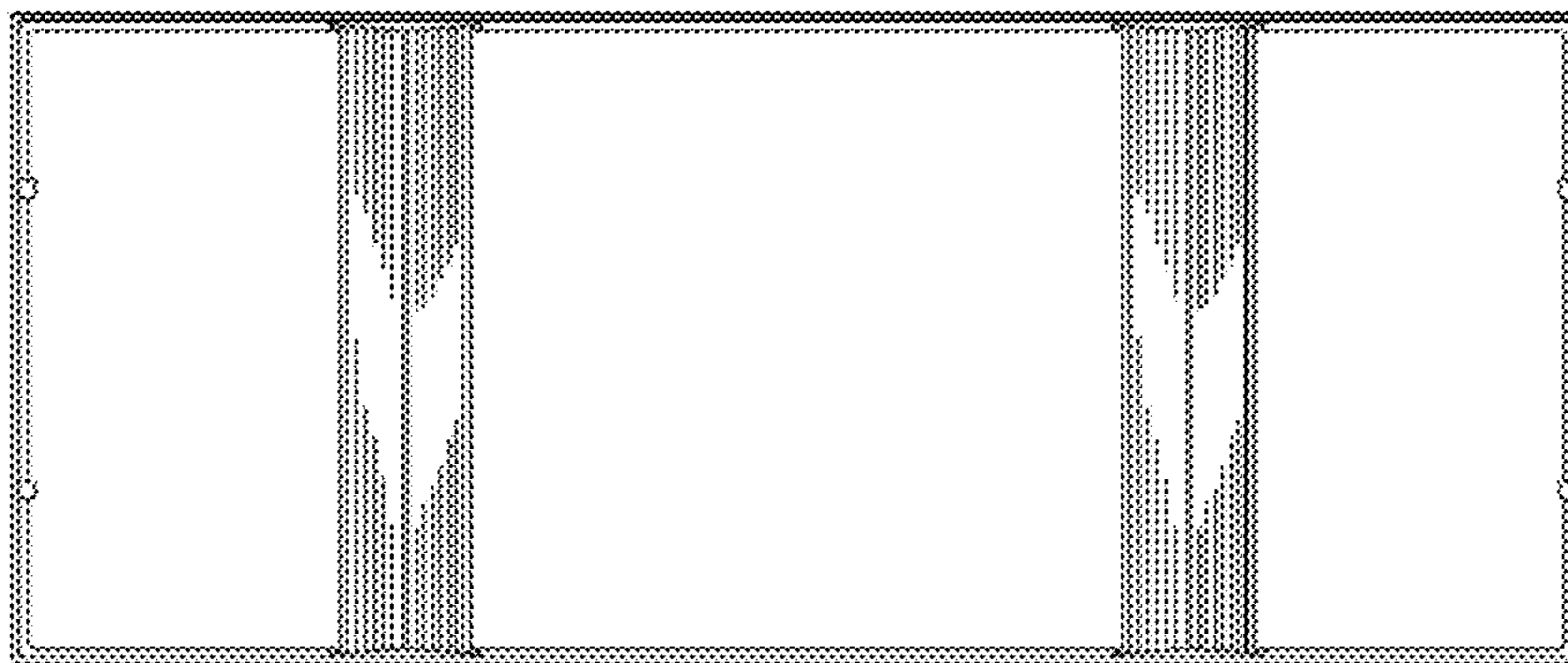


FIG. 39

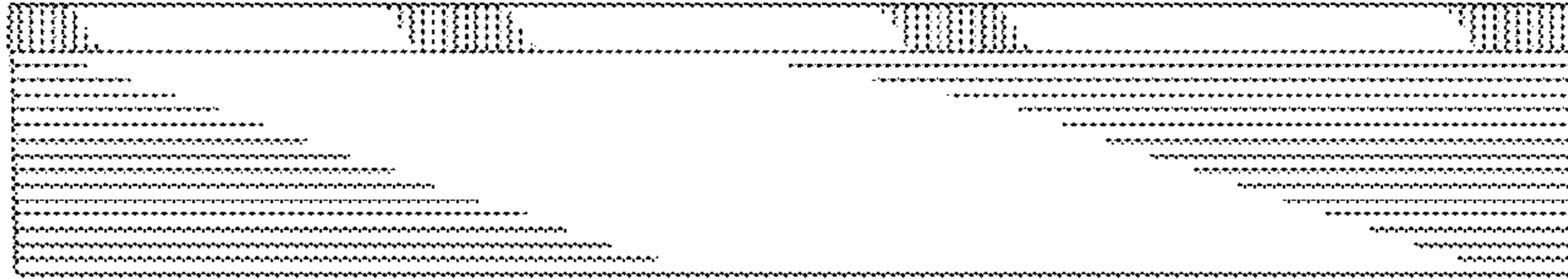


FIG. 40

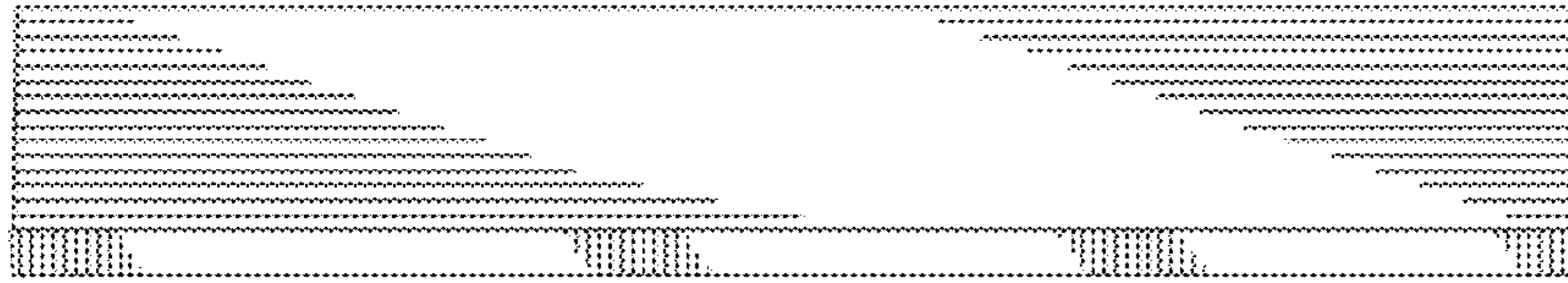


FIG. 41

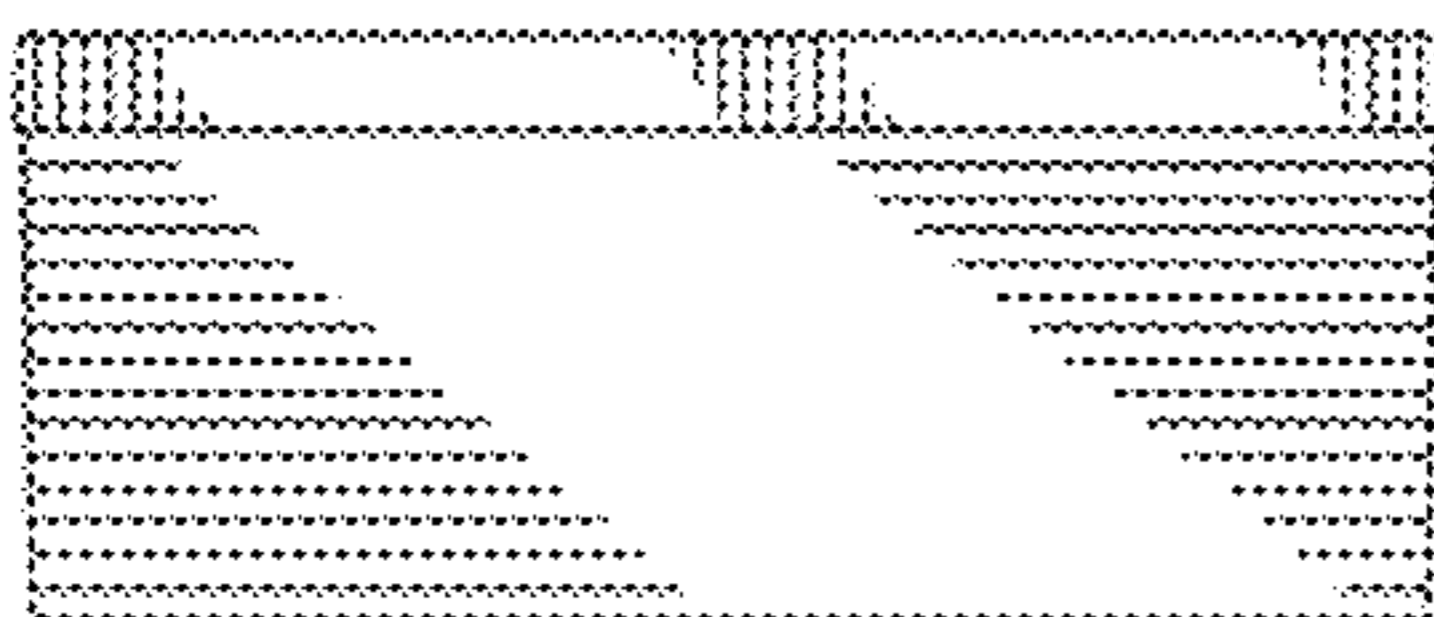


FIG. 42

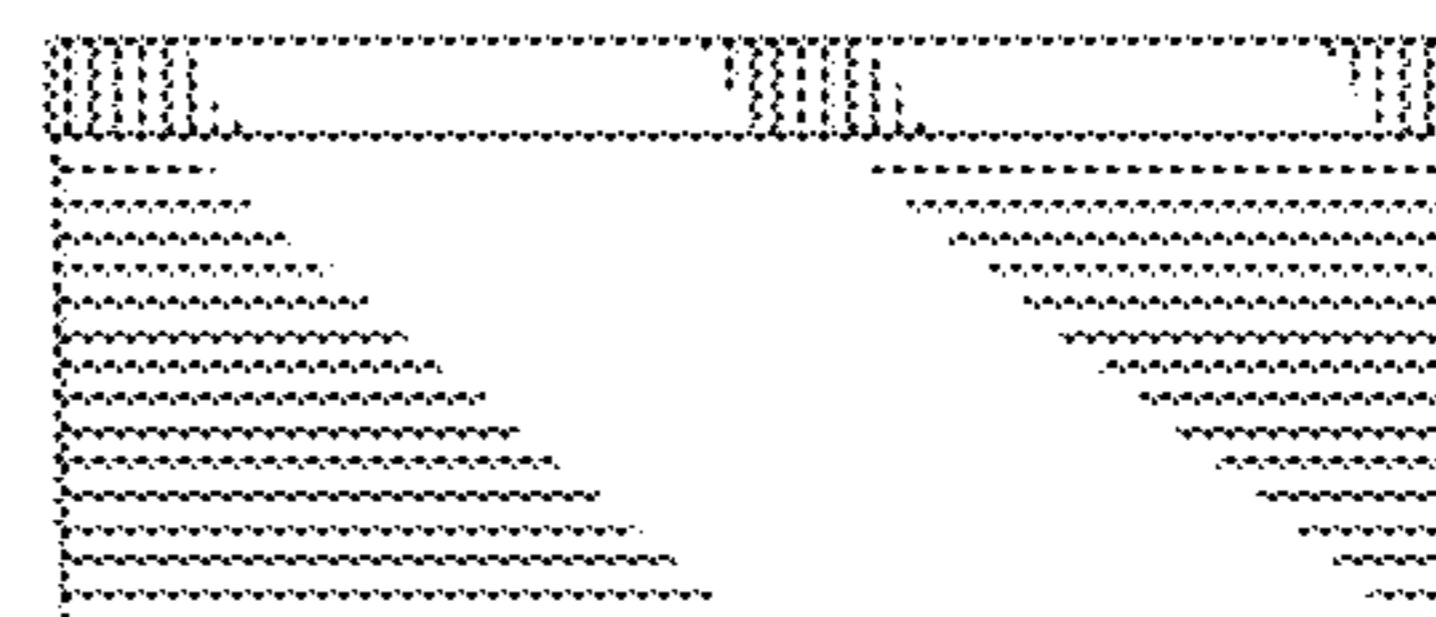


FIG. 43

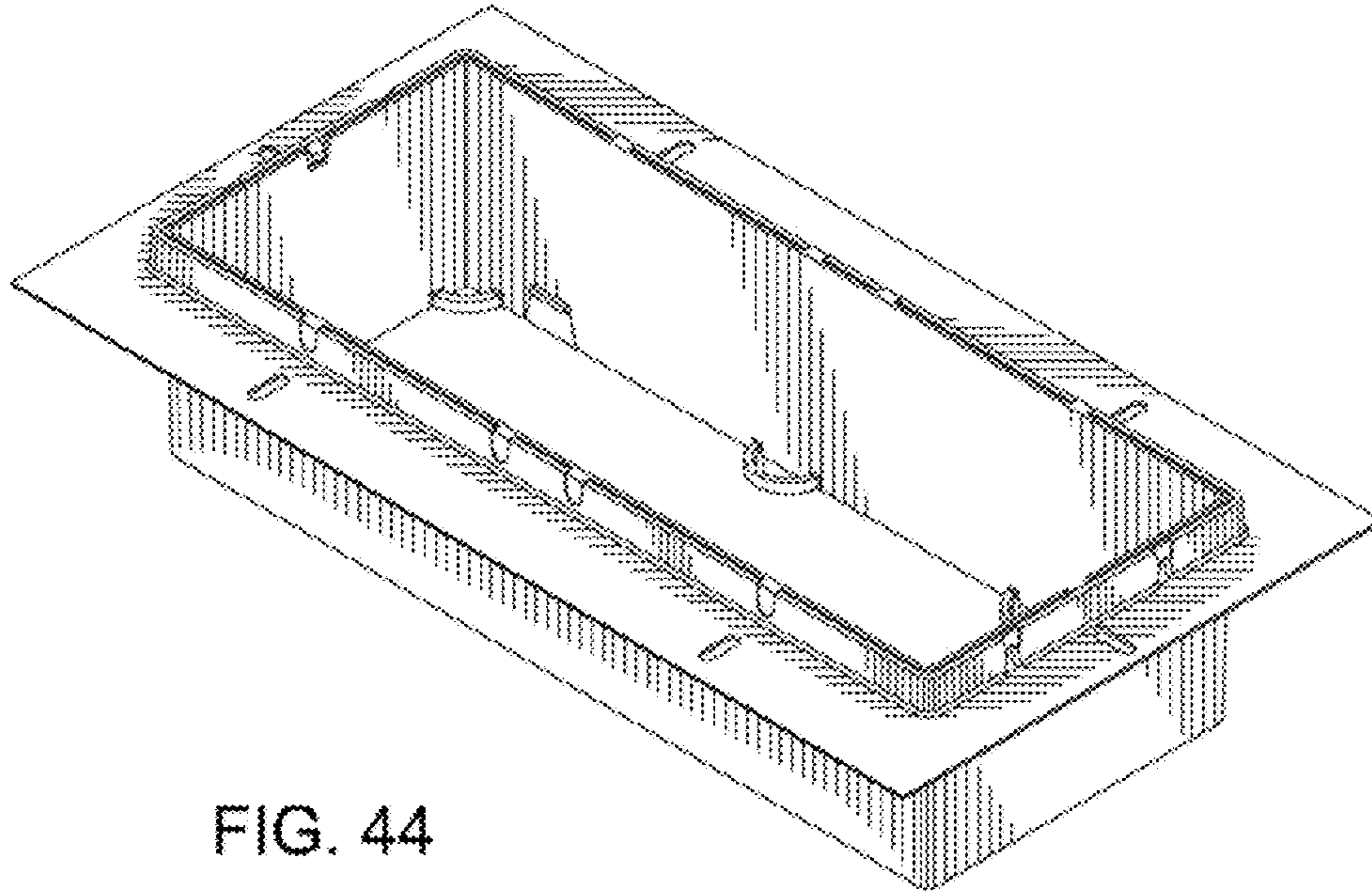


FIG. 44

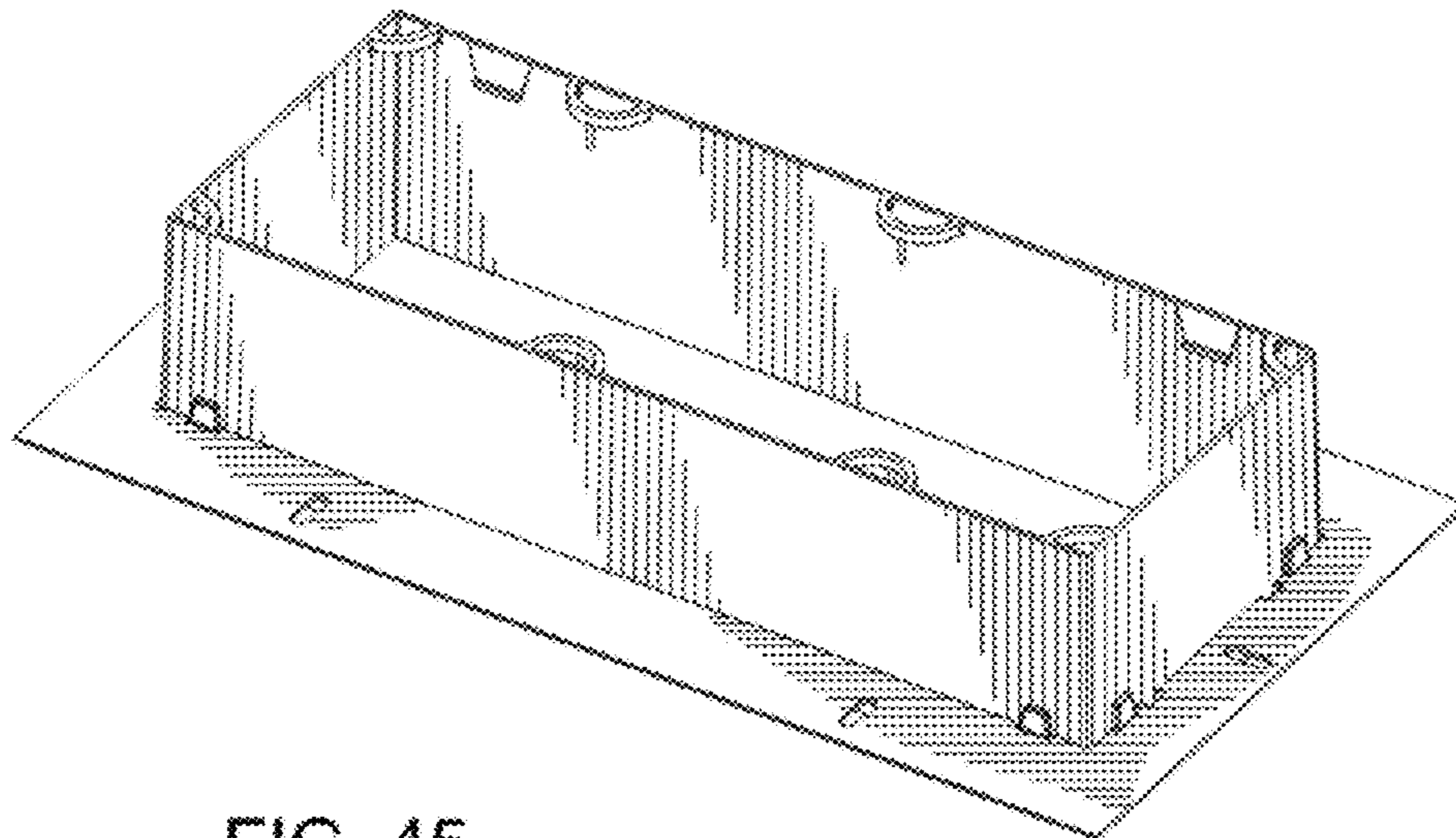


FIG. 45

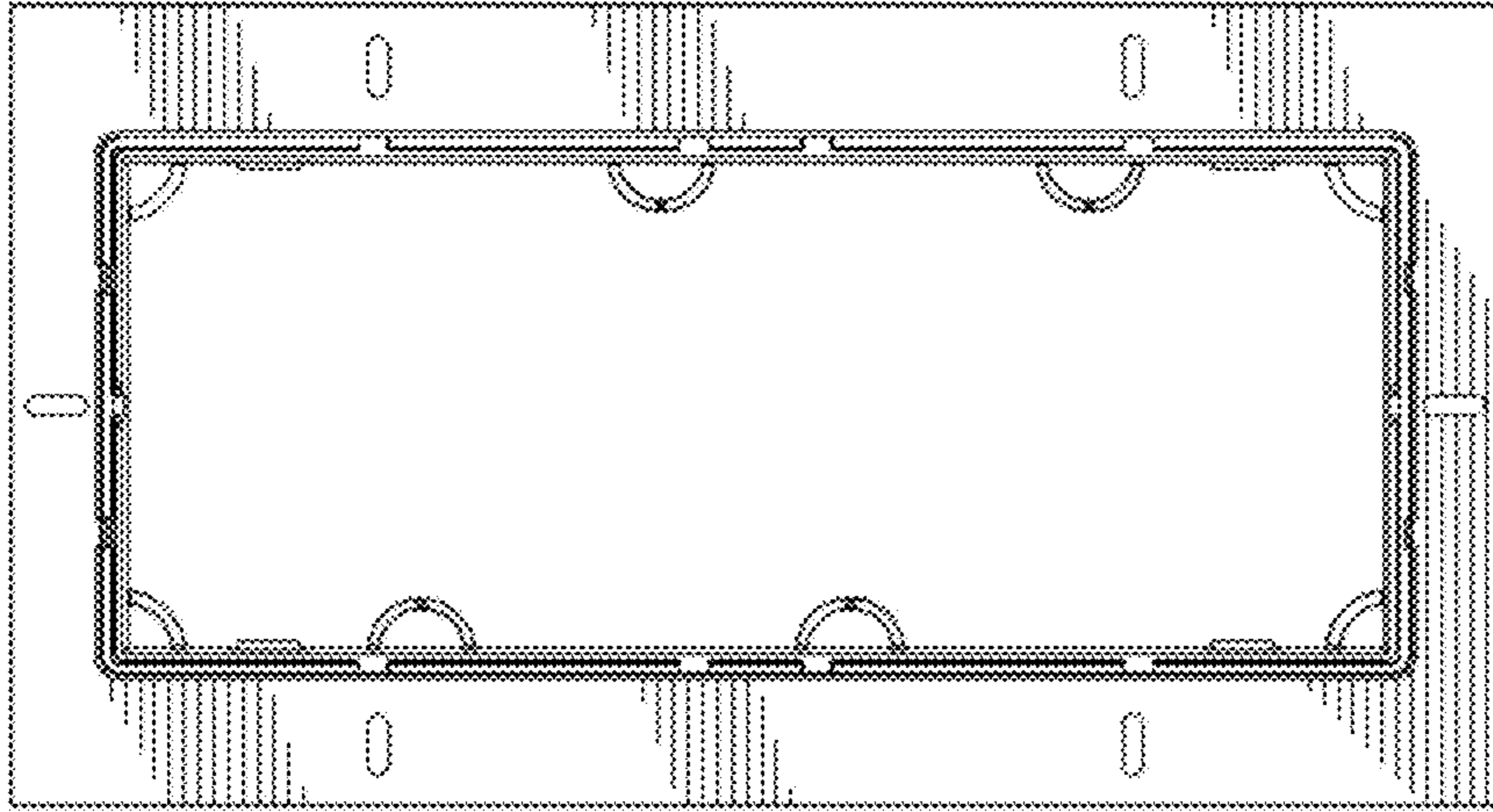


FIG. 46

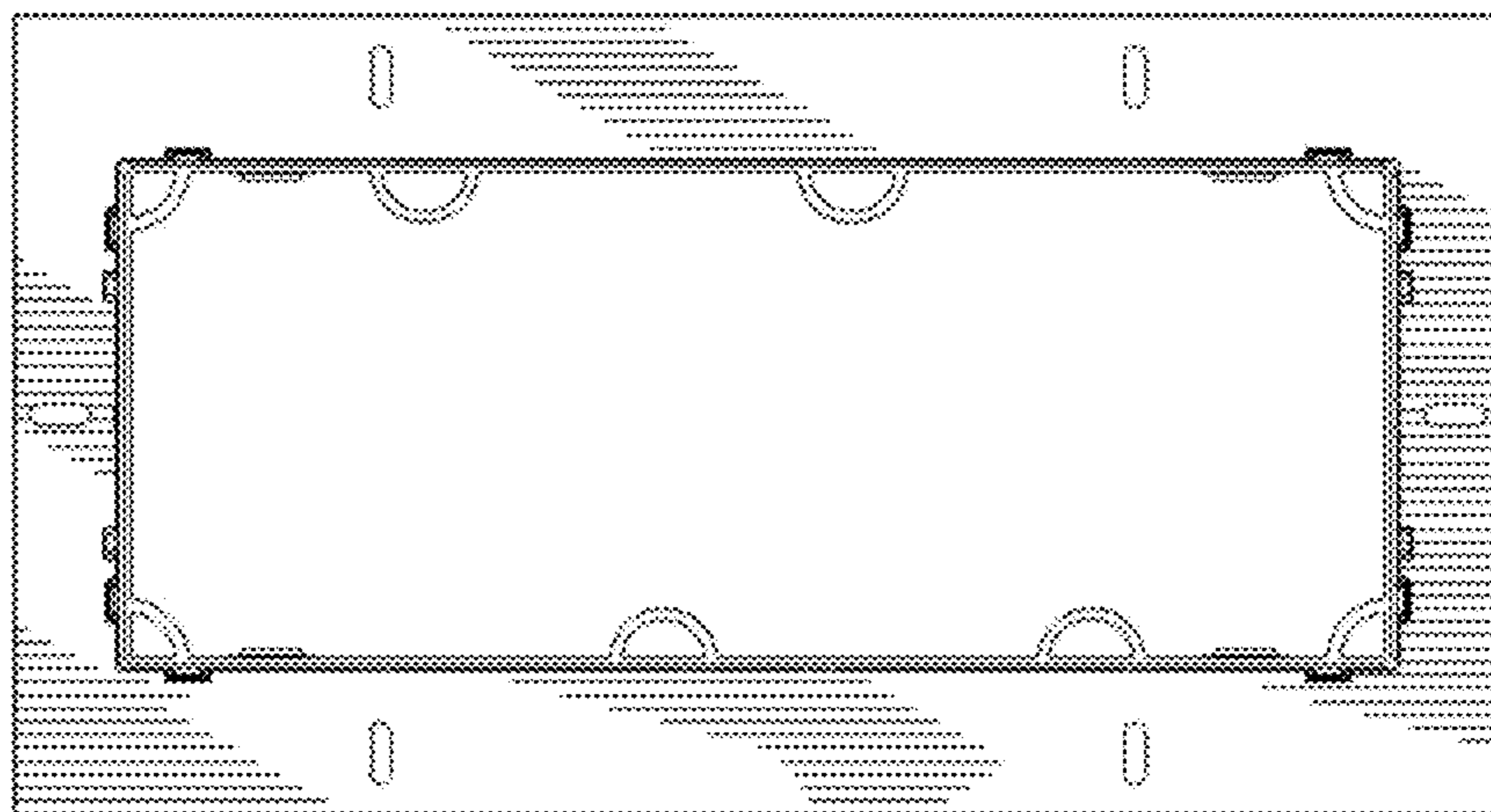


FIG. 47

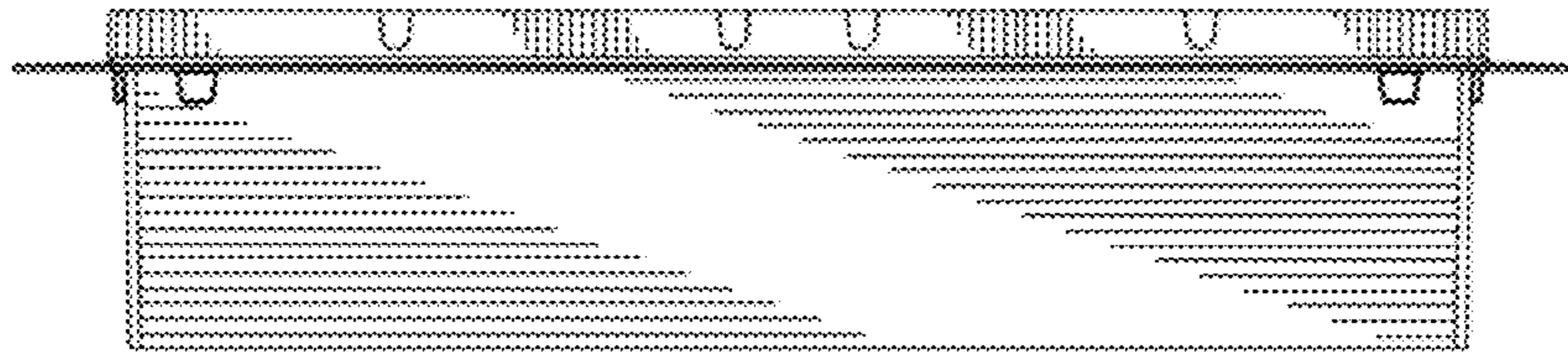


FIG. 48

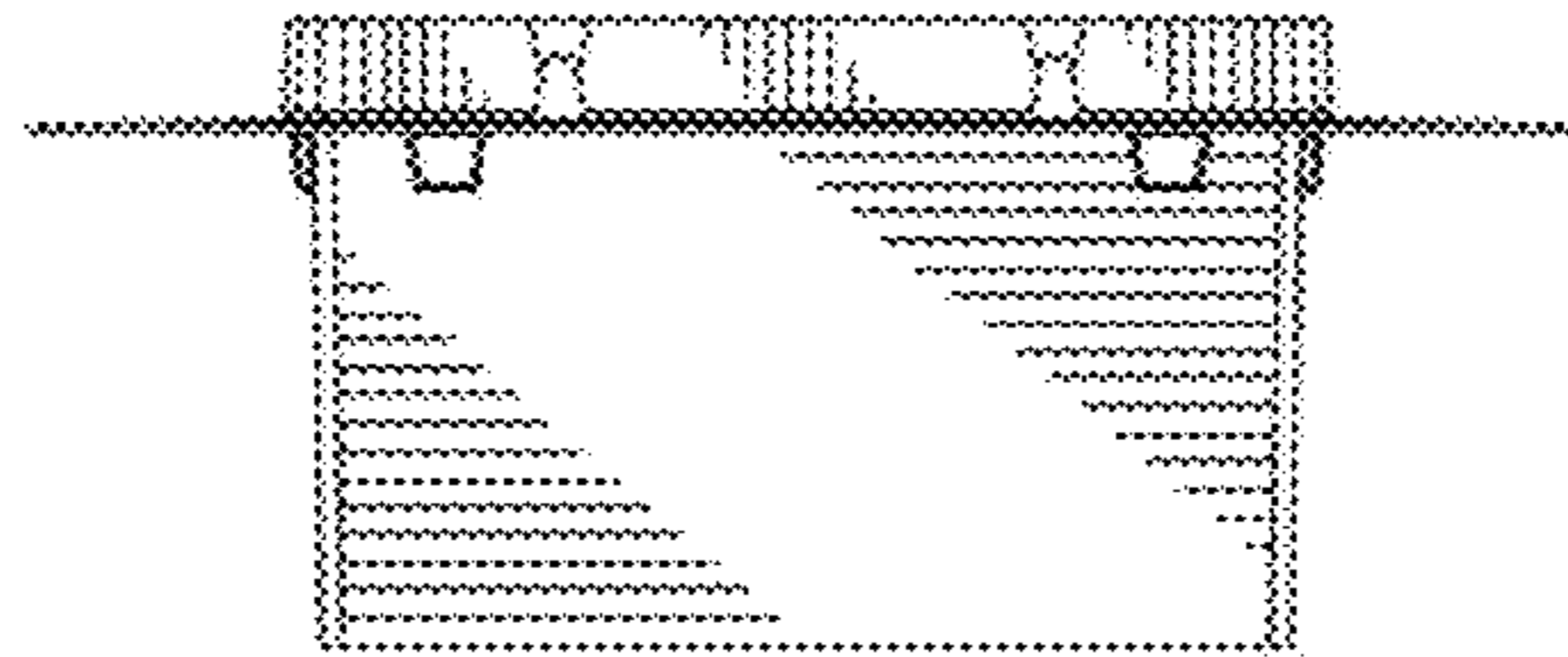


FIG. 49



FIG. 50

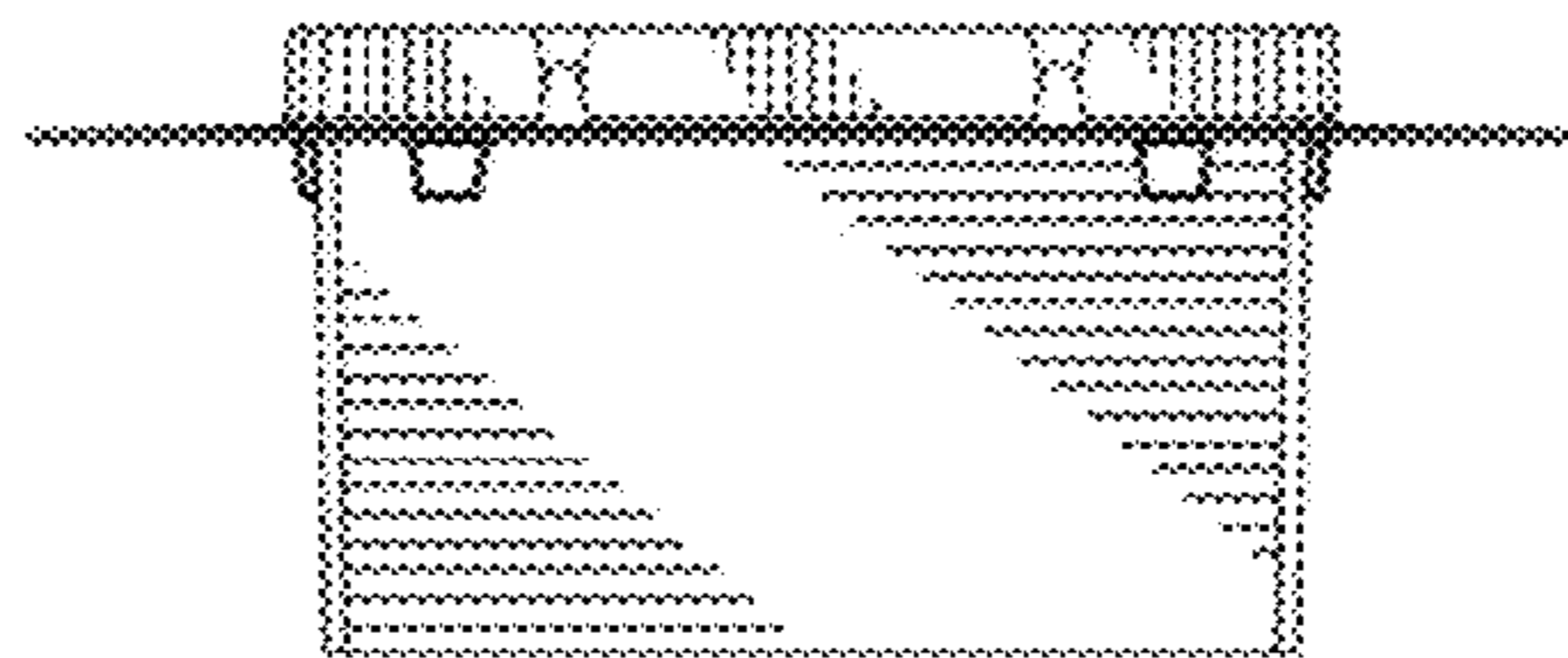


FIG. 51

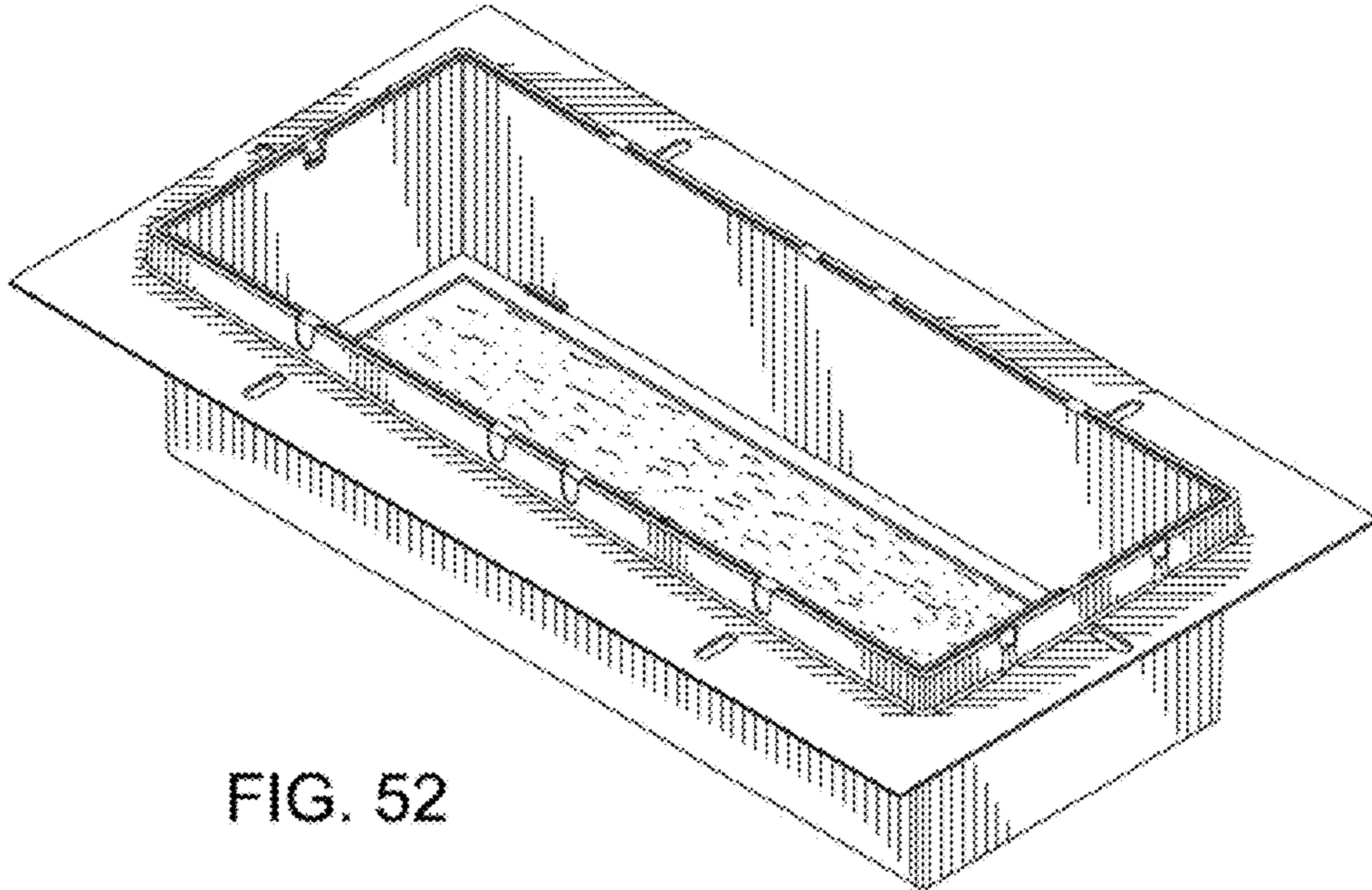


FIG. 52

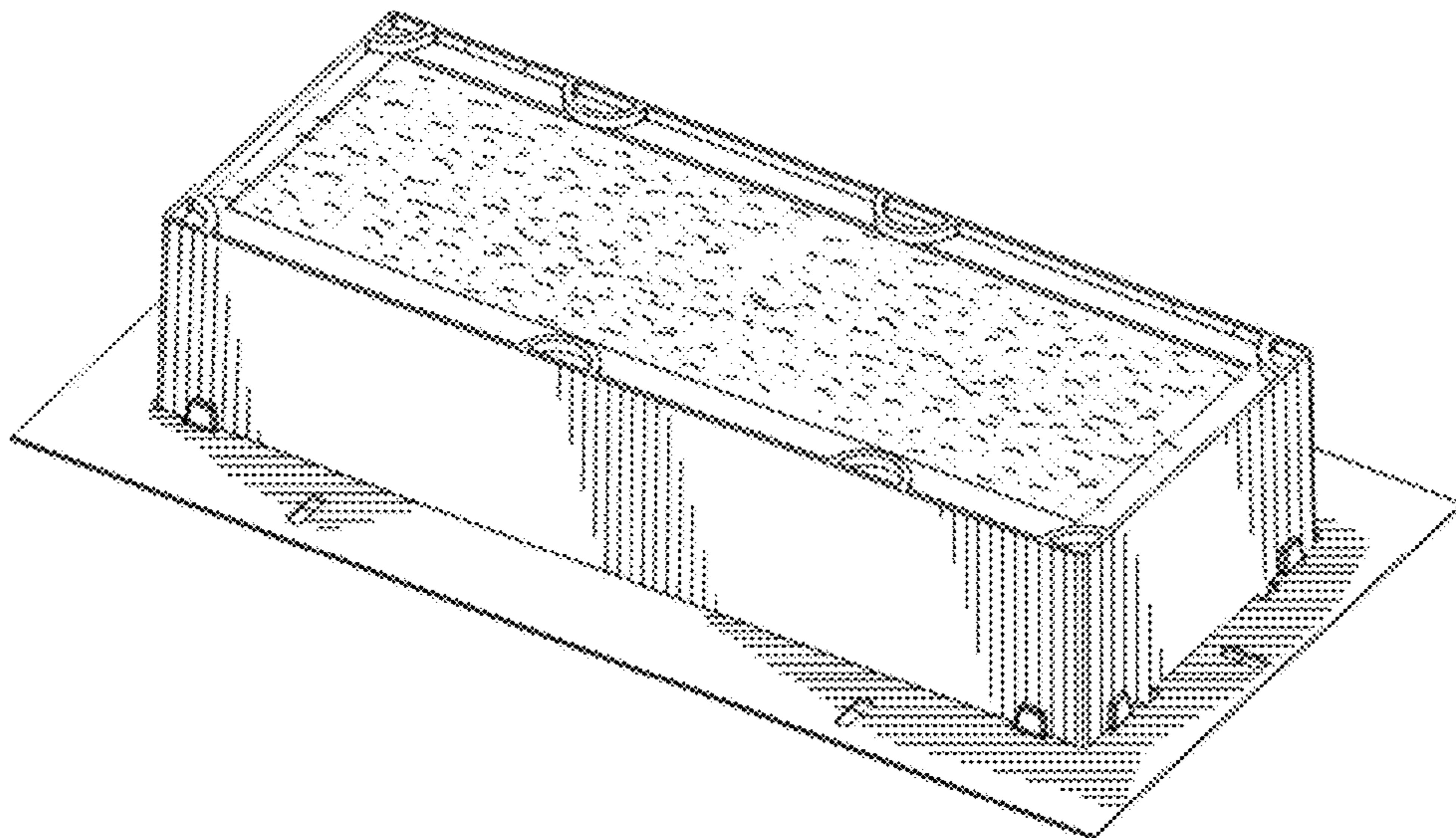


FIG. 53

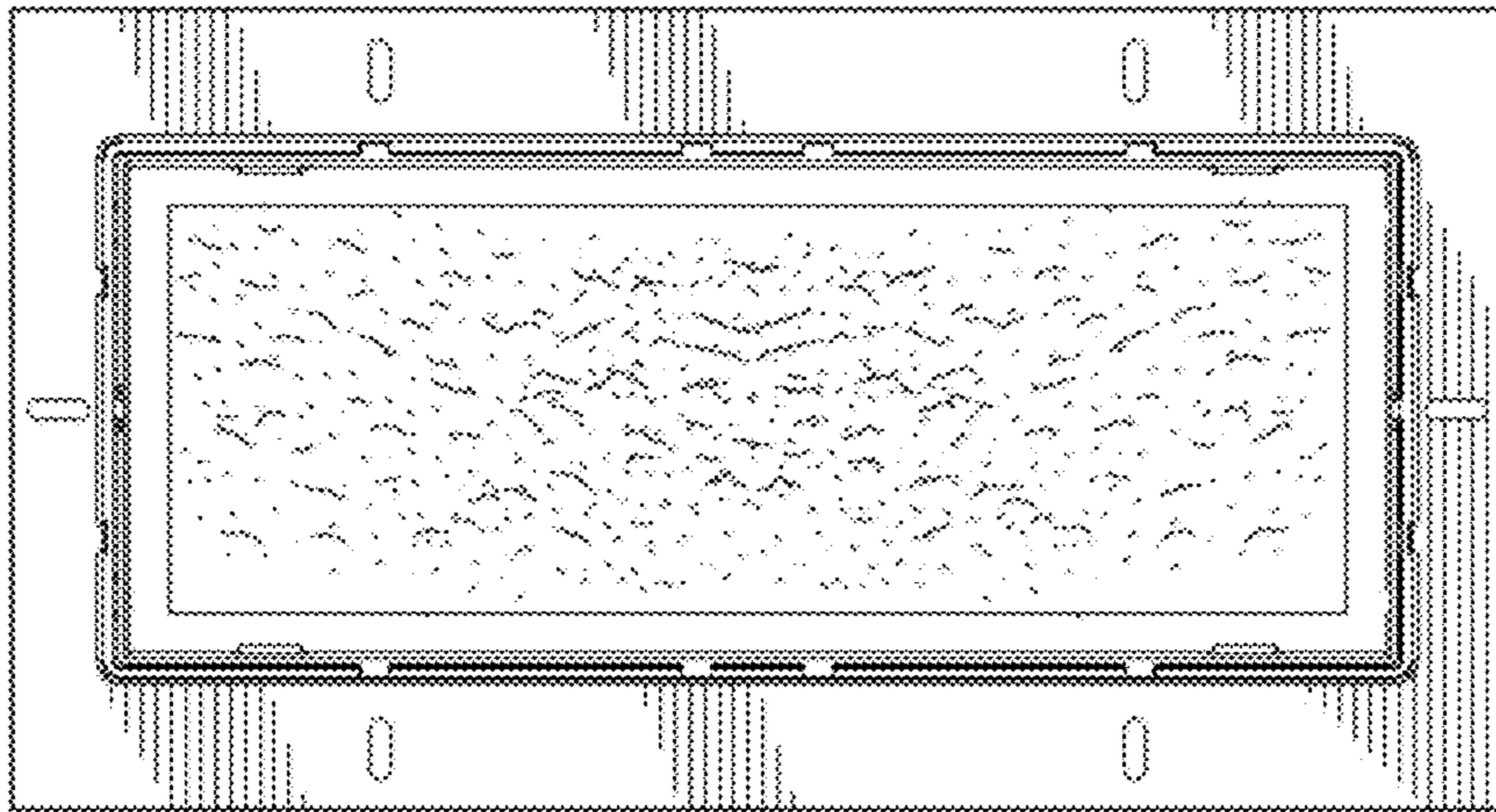


FIG. 54

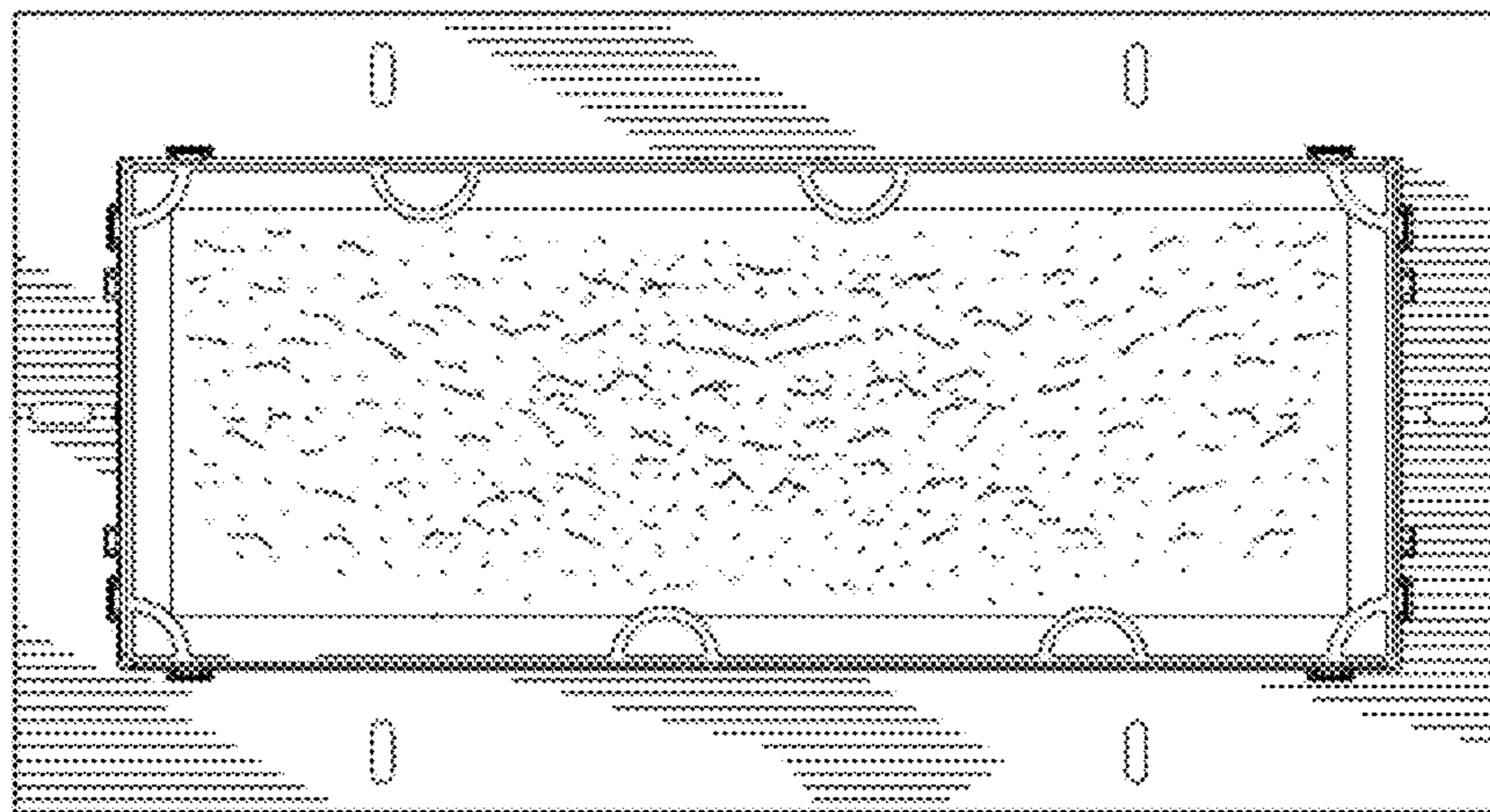


FIG. 55

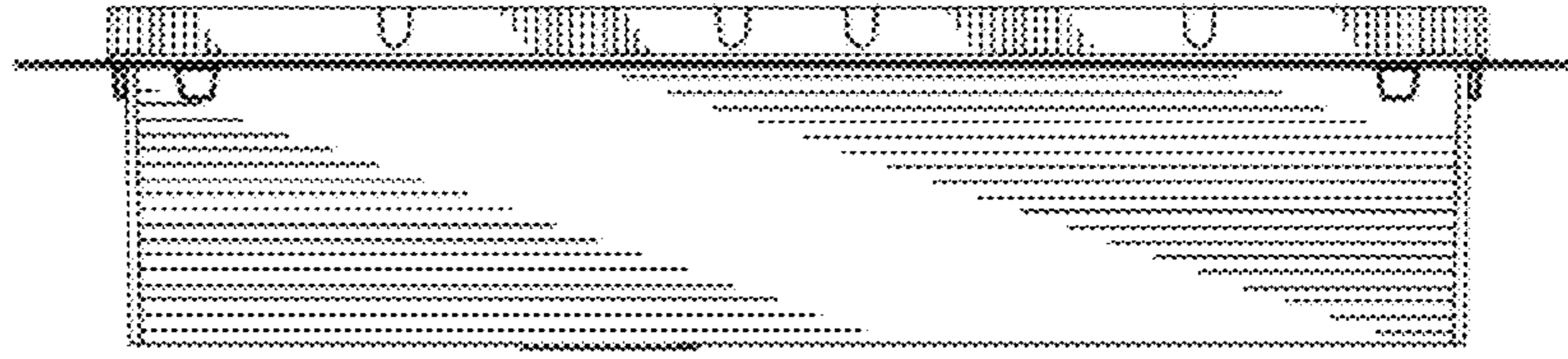


FIG. 56

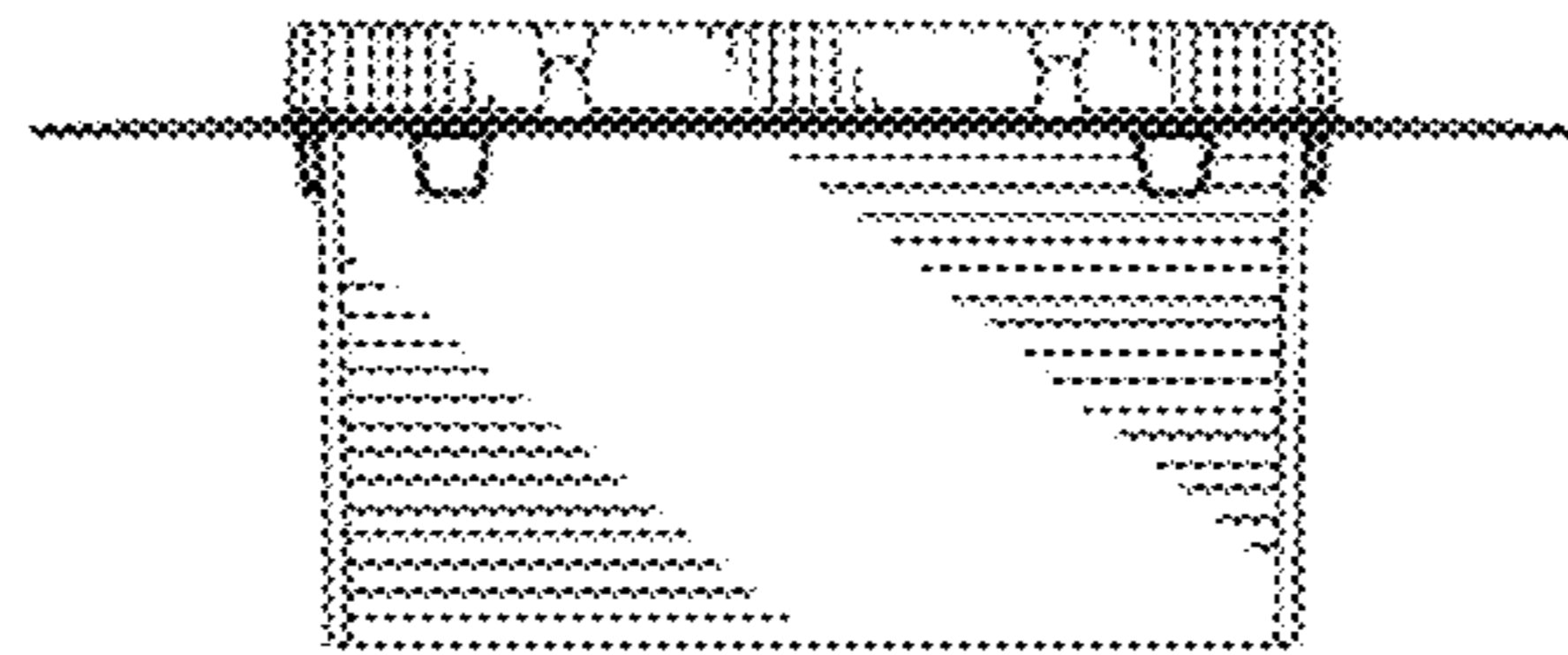


FIG. 57



FIG. 58



FIG. 59

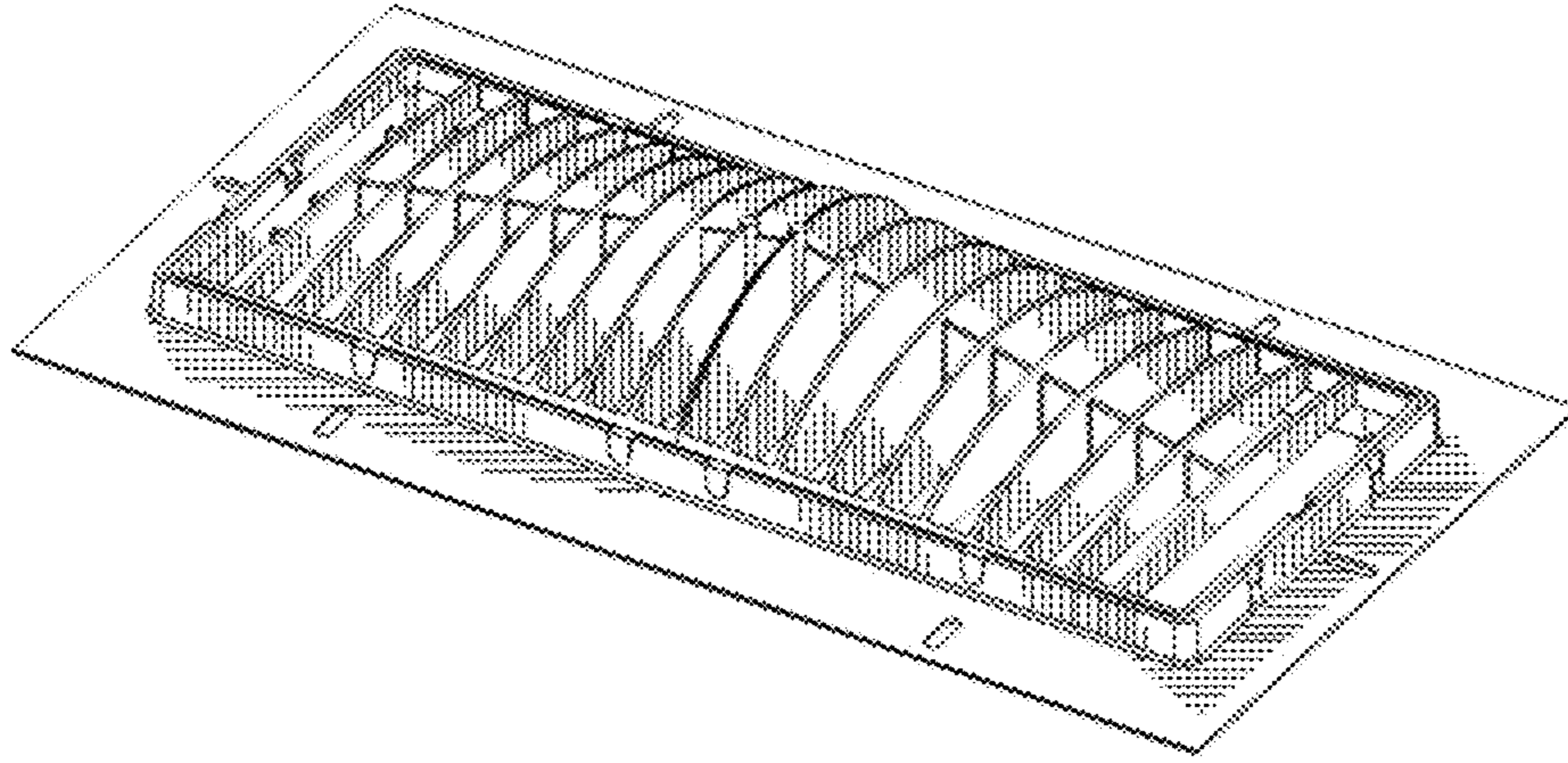


FIG. 60

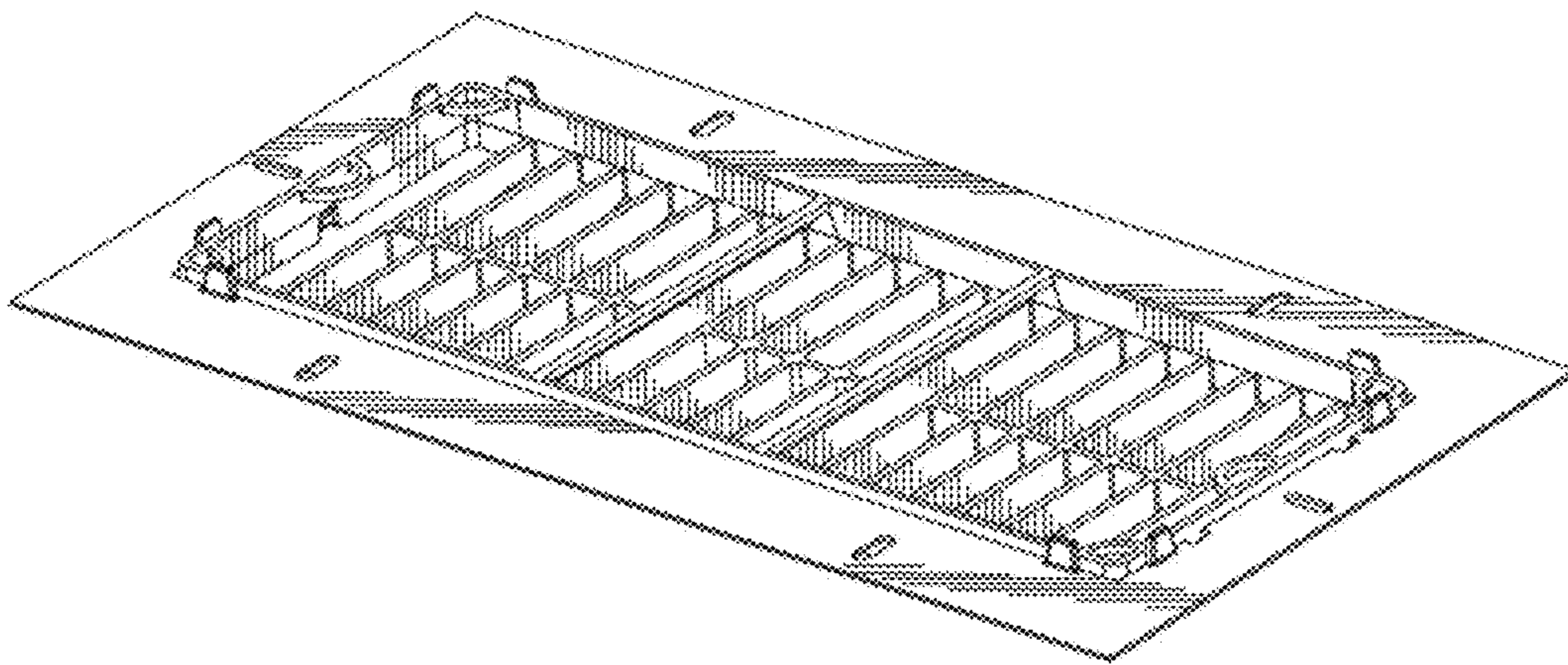


FIG. 61

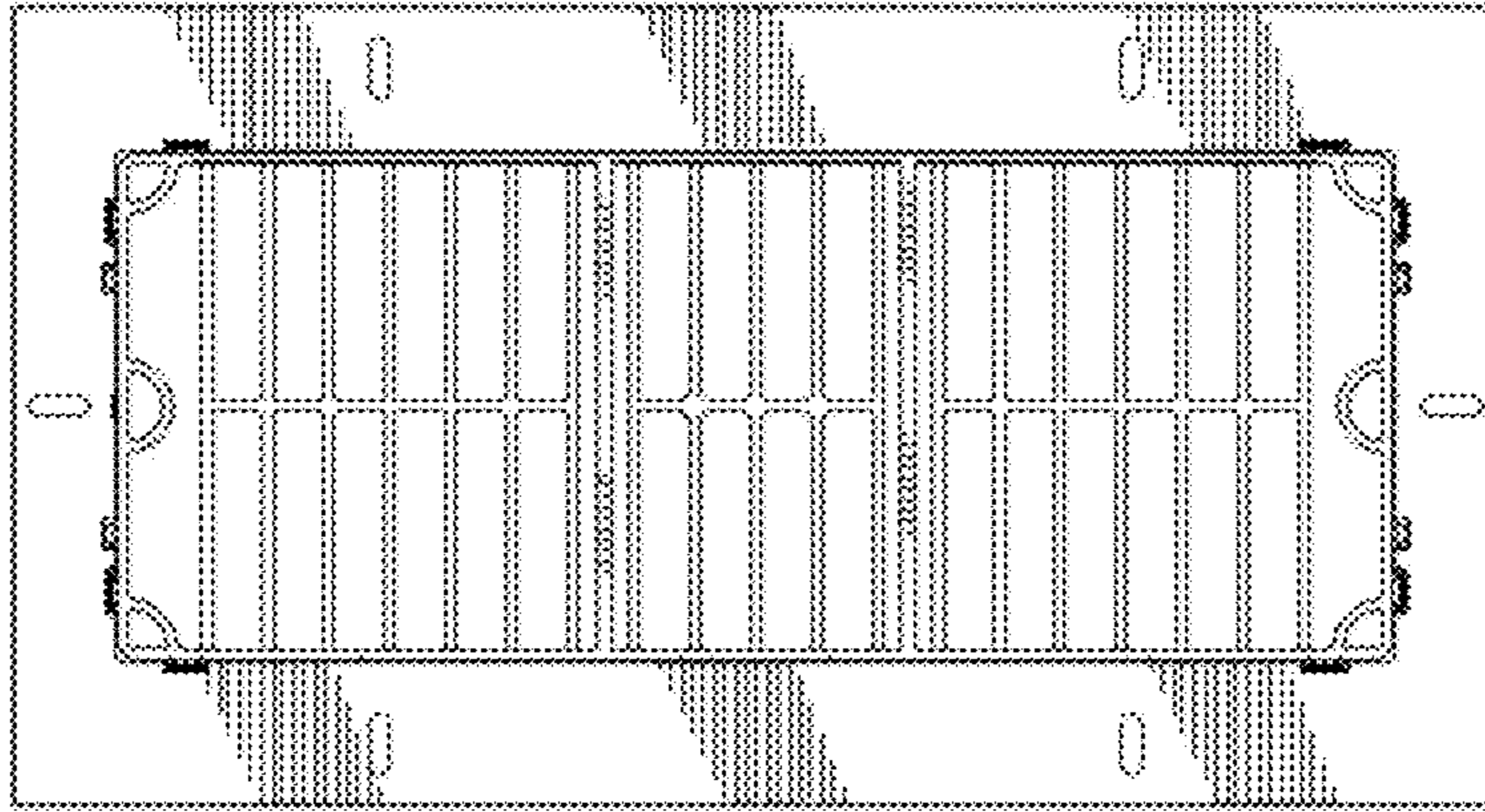


FIG. 62

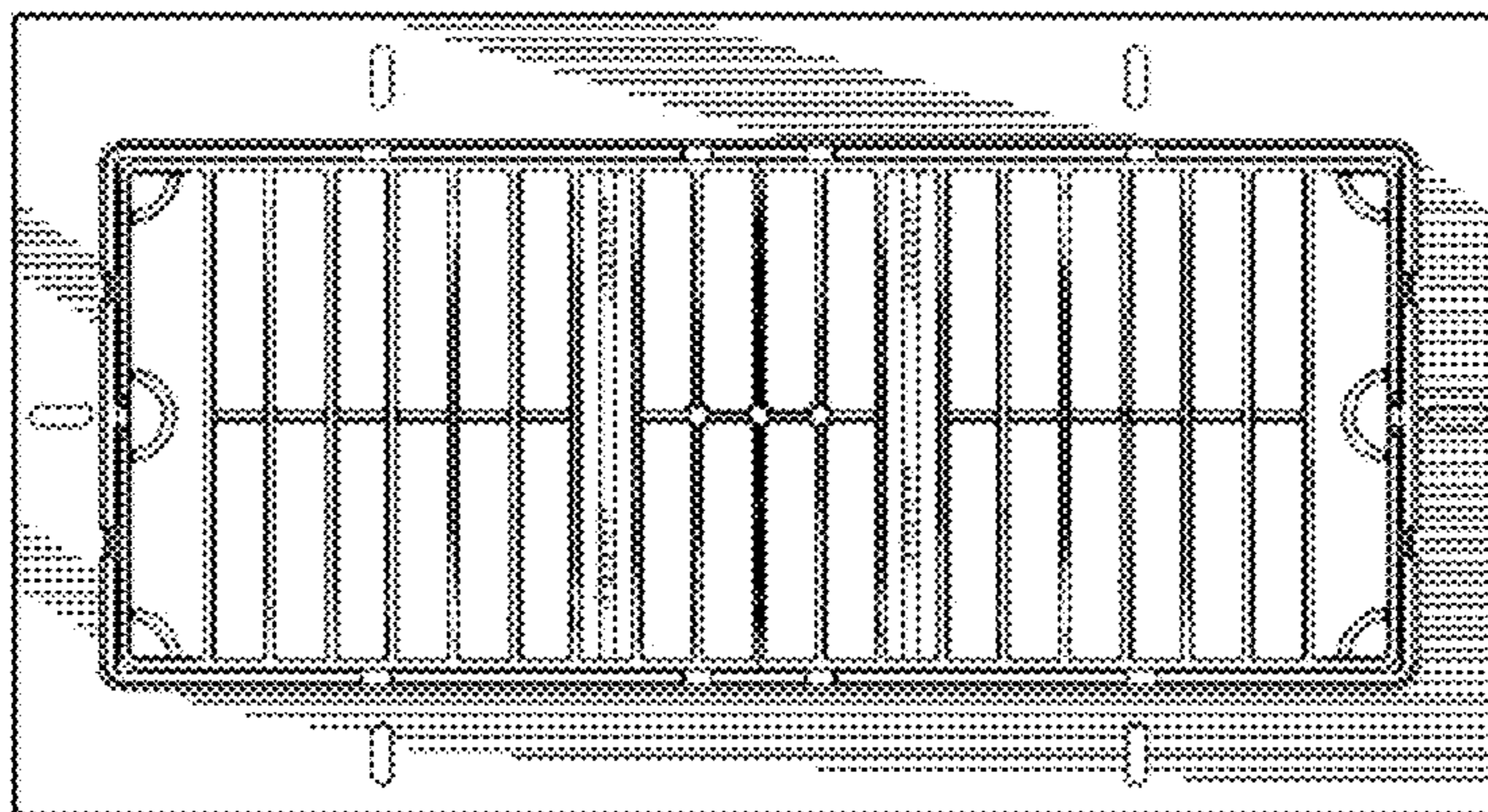


FIG. 63

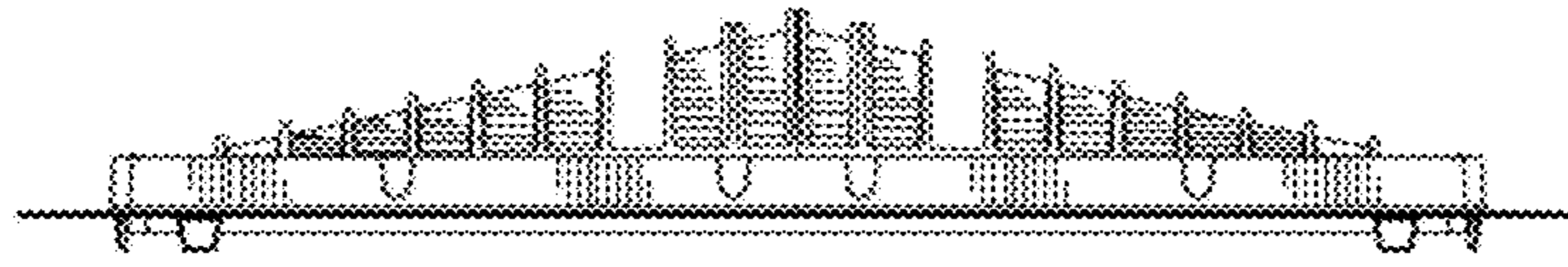


FIG. 64

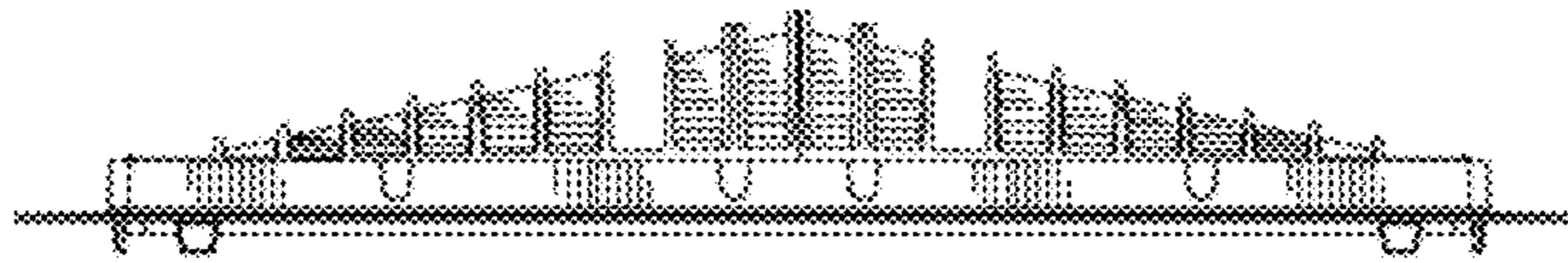


FIG. 65

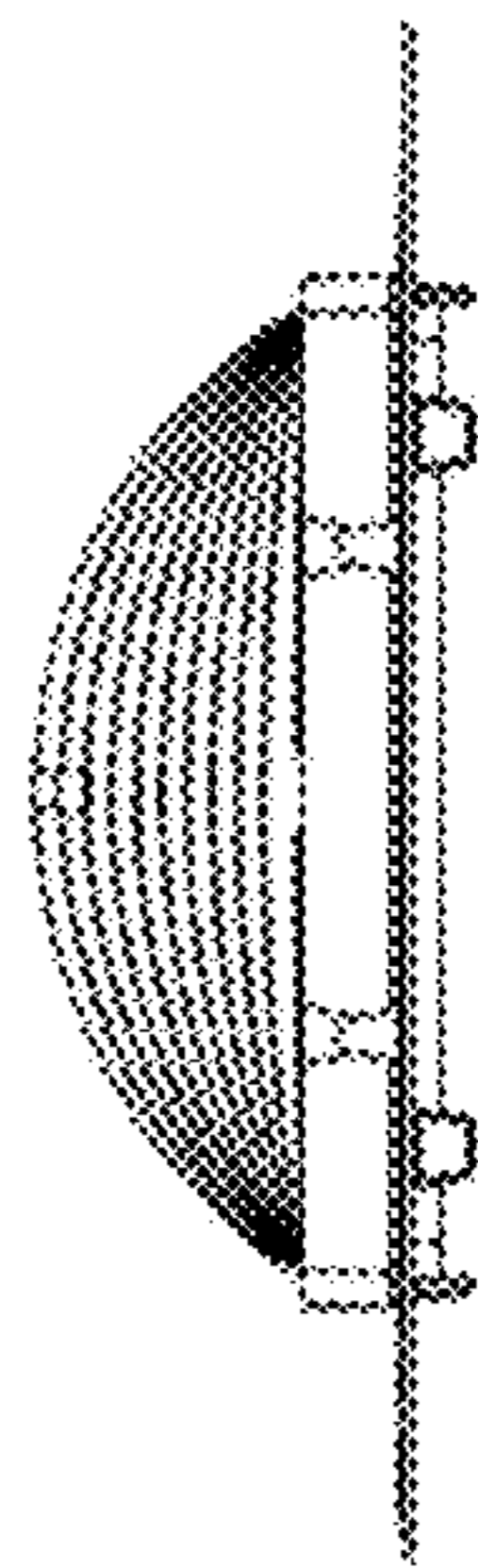


FIG. 66

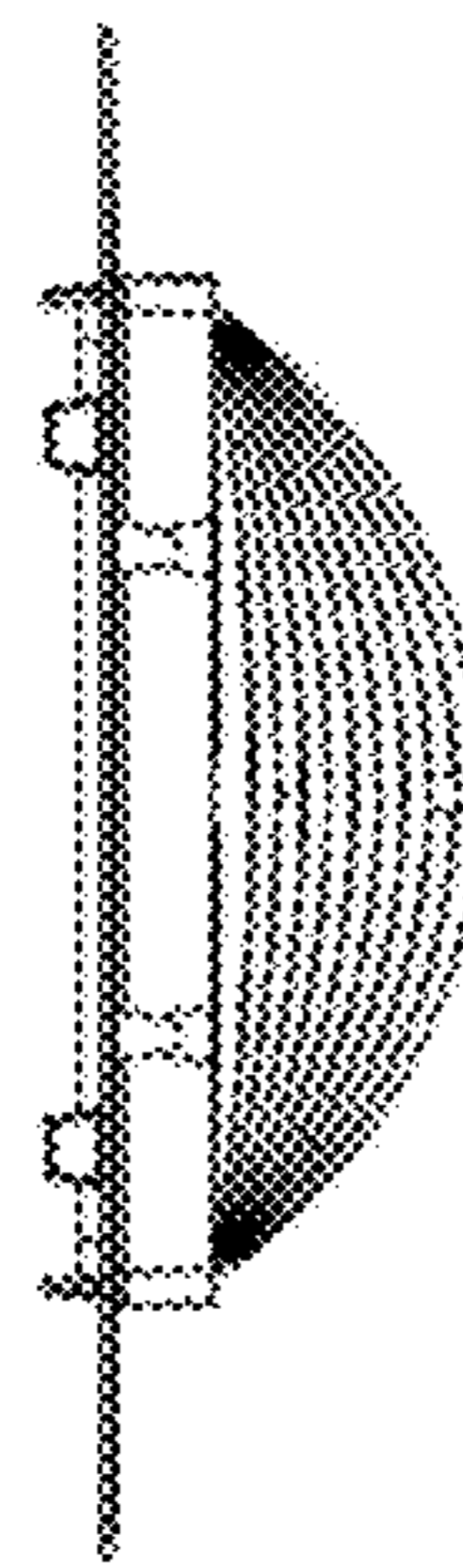


FIG. 67