



US00D736365S

(12) **United States Design Patent**  
**Breneman et al.**

(10) **Patent No.:** **US D736,365 S**

(45) **Date of Patent:** **\*\* Aug. 11, 2015**

- (54) **UNDERCABINET VENT HOOD**
- (71) Applicant: **Whirlpool Corporation**, Benton Harbor, MI (US)
- (72) Inventors: **Samuel B. Breneman**, St. Joseph, MI (US); **Jason Scott Lind**, Benton Harbor, MI (US); **Casey L. McCuan**, Saugatuk, MI (US)
- (73) Assignee: **Whirlpool Corporation**, Benton Harbor, MI (US)
- (\*\*) Term: **14 Years**
- (21) Appl. No.: **29/482,116**
- (22) Filed: **Feb. 14, 2014**
- (51) **LOC (10) Cl.** ..... **23-04**
- (52) **U.S. Cl.**  
USPC ..... **D23/372**
- (58) **Field of Classification Search**  
USPC ..... D23/370-372, 385-386, 388, 393, 411; 126/299 D, 299 R  
CPC ..... F24C 15/2042; F24C 15/2007; F24C 15/205; F24C 15/2064; F24C 15/2071; F24C 15/2078; F24C 15/2085; F24C 15/2092  
See application file for complete search history.

- (56) **References Cited**  
U.S. PATENT DOCUMENTS
- D231,615 S 5/1974 Nygard et al.
- D245,620 S \* 8/1977 Berry ..... D23/371
- D245,621 S \* 8/1977 Berry ..... D23/371
- D380,823 S 7/1997 LaZar
- 5,842,464 A 12/1998 Koch
- D433,495 S \* 11/2000 Segers ..... D23/372
- D443,351 S \* 6/2001 Strand et al. .... D23/372
- D444,221 S 6/2001 Strand et al.
- 6,240,916 B1 \* 6/2001 Huang ..... 126/299 D
- D450,379 S 11/2001 Strand et al.
- D455,487 S \* 4/2002 Kojima et al. .... D23/372

- D462,434 S \* 9/2002 Kojima ..... D23/372
- 6,470,880 B1 10/2002 Chang
- D489,805 S 5/2004 Vetter
- D526,711 S 8/2006 Galeazzi et al.
- D527,088 S 8/2006 Hendrickx
- D528,644 S \* 9/2006 Schwamkrug ..... D23/372
- D532,509 S \* 11/2006 Cheng ..... D23/372
- D535,009 S 1/2007 Sinur et al.
- D557,397 S 12/2007 Sinur et al.
- D576,264 S 9/2008 Grobleben
- D621,022 S 8/2010 Funnell
- 2004/0194778 A1 \* 10/2004 Yeung ..... 126/299 R
- 2006/0090746 A1 \* 5/2006 Lee ..... 126/299 D
- 2006/0249141 A1 11/2006 Sinur et al.

(Continued)

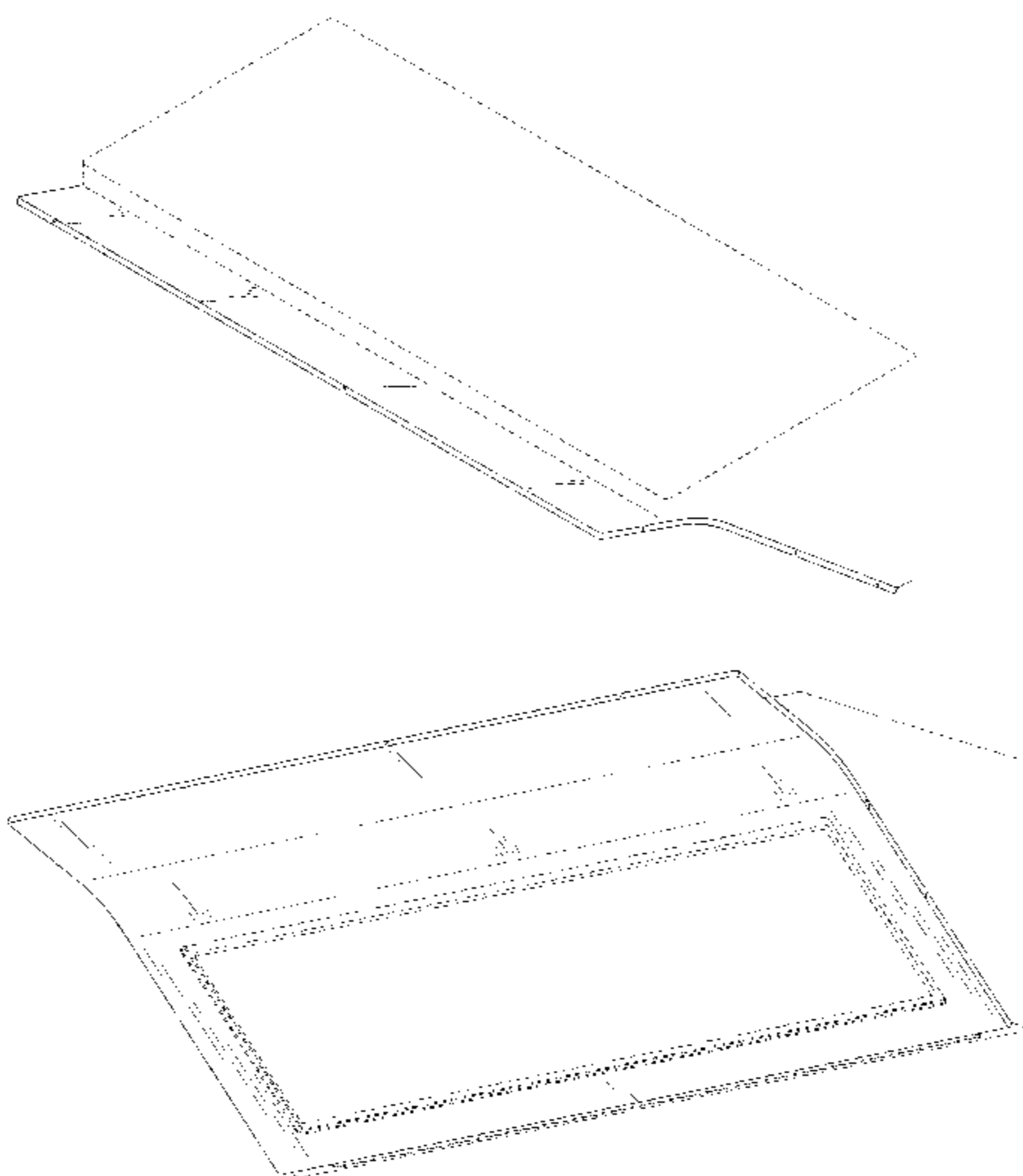
*Primary Examiner* — Susan Bennett Hattan  
*Assistant Examiner* — Janice Hallmark

(57) **CLAIM**  
We claim the ornamental design for an undercabinet vent hood, as shown and described.

**DESCRIPTION**

FIG. 1 is a top perspective view of one embodiment of an undercabinet vent hood of the present disclosure;  
 FIG. 2 is a bottom perspective view of the undercabinet vent hood of FIG. 1;  
 FIG. 3 is a front elevational view of the undercabinet vent hood of FIG. 1;  
 FIG. 4 is a rear elevational view of the undercabinet vent hood of FIG. 1;  
 FIG. 5 is a first side elevational view of the undercabinet vent hood of FIG. 1;  
 FIG. 6 is a second side elevational view of the undercabinet vent hood of FIG. 1;  
 FIG. 7 is a top plan view of the undercabinet vent hood of FIG. 1; and,  
 FIG. 8 is a bottom plan view of the undercabinet vent hood of FIG. 1.  
 The broken lines in the drawings illustrate environment which form no part of the claimed design.

**1 Claim, 6 Drawing Sheets**



# US D736,365 S

Page 2

---

(56)

## References Cited

U.S. PATENT DOCUMENTS

2010/0000512 A1 1/2010 Huang  
2010/0095949 A1 4/2010 Huang  
2012/0255267 A1\* 10/2012 Ehrensberger et al. .... 55/385.7

2008/0302352 A1\* 12/2008 Pearce et al. .... 126/299 R \* cited by examiner

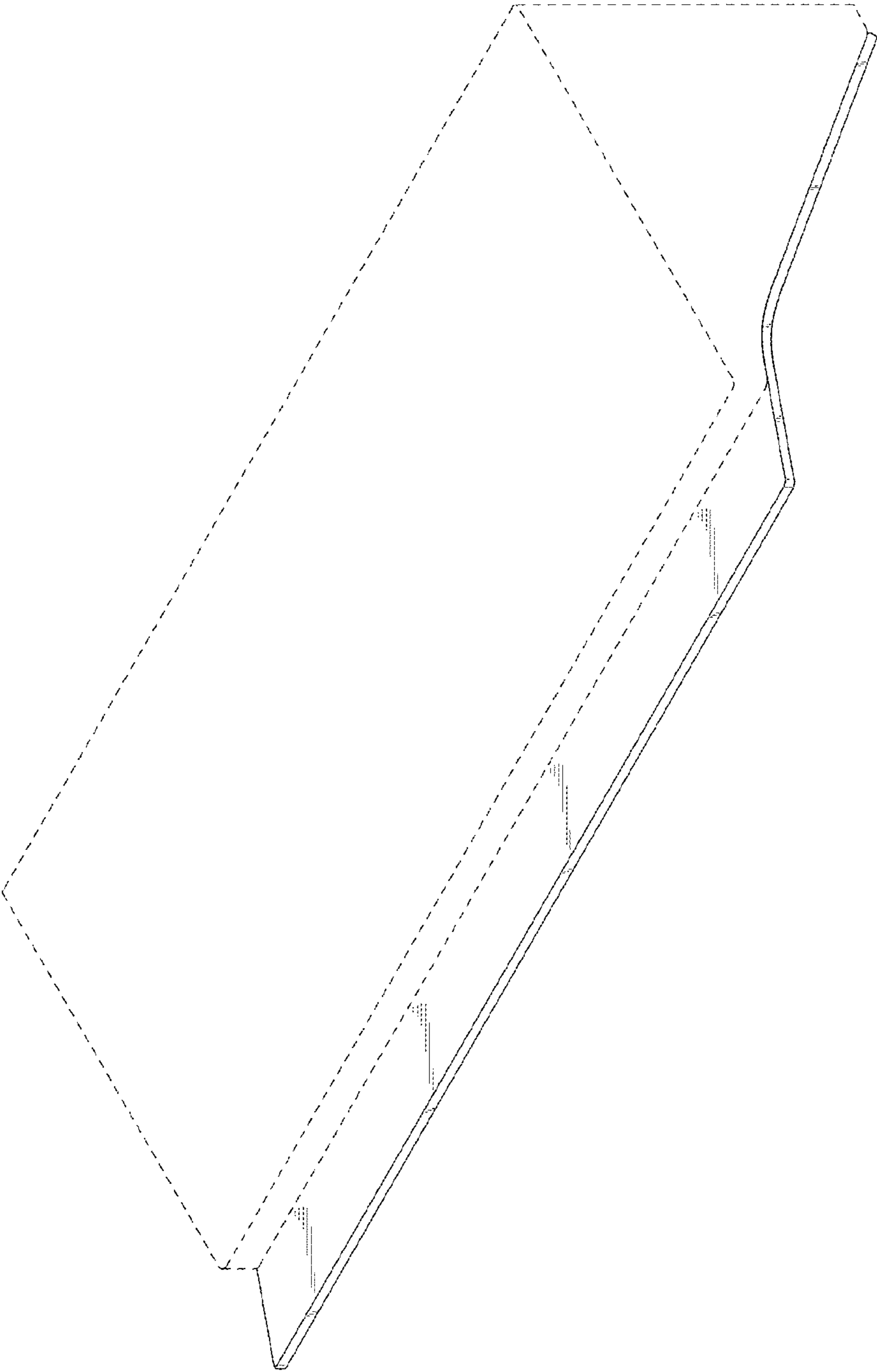


FIG. 1

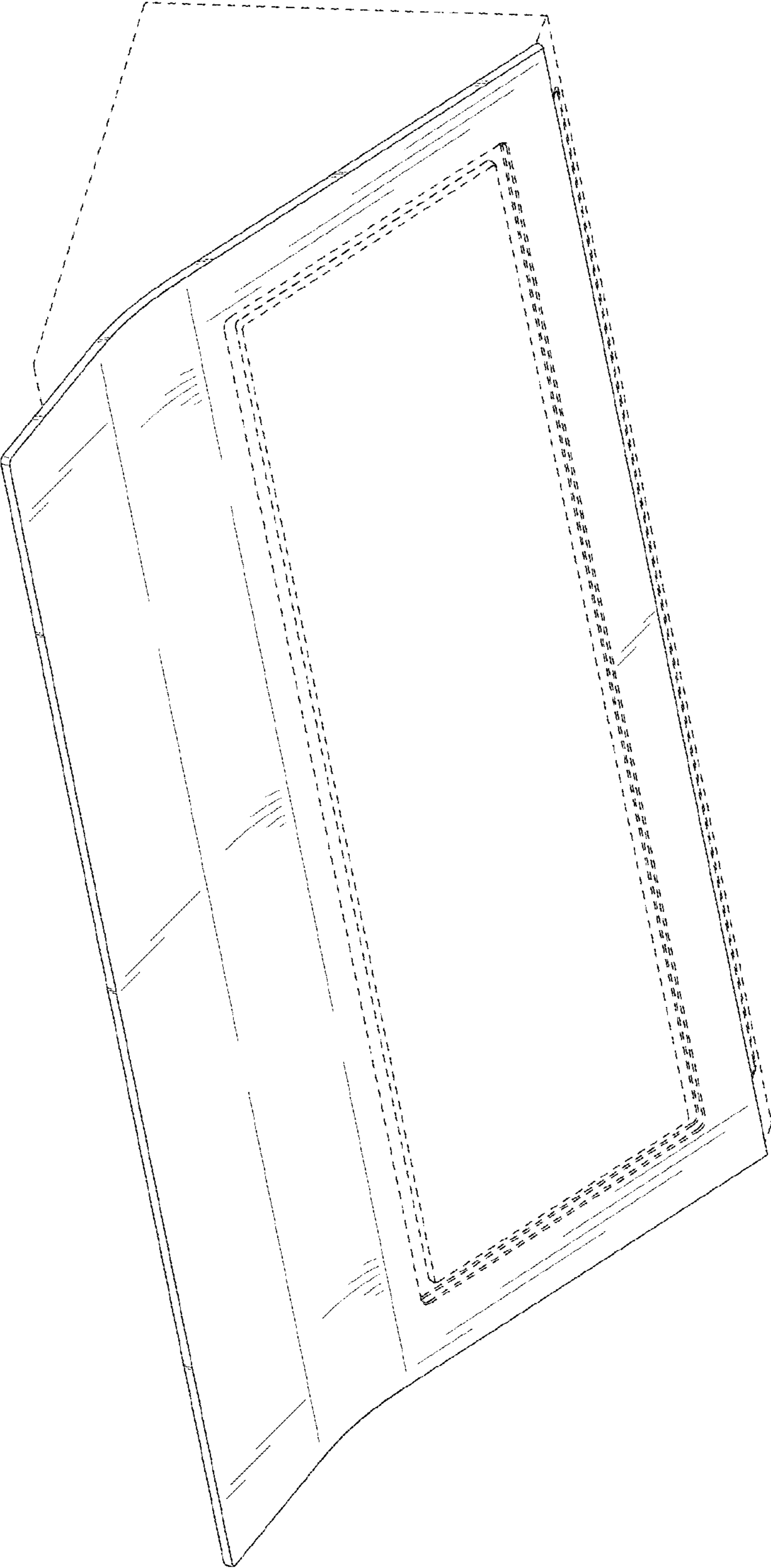


FIG. 2

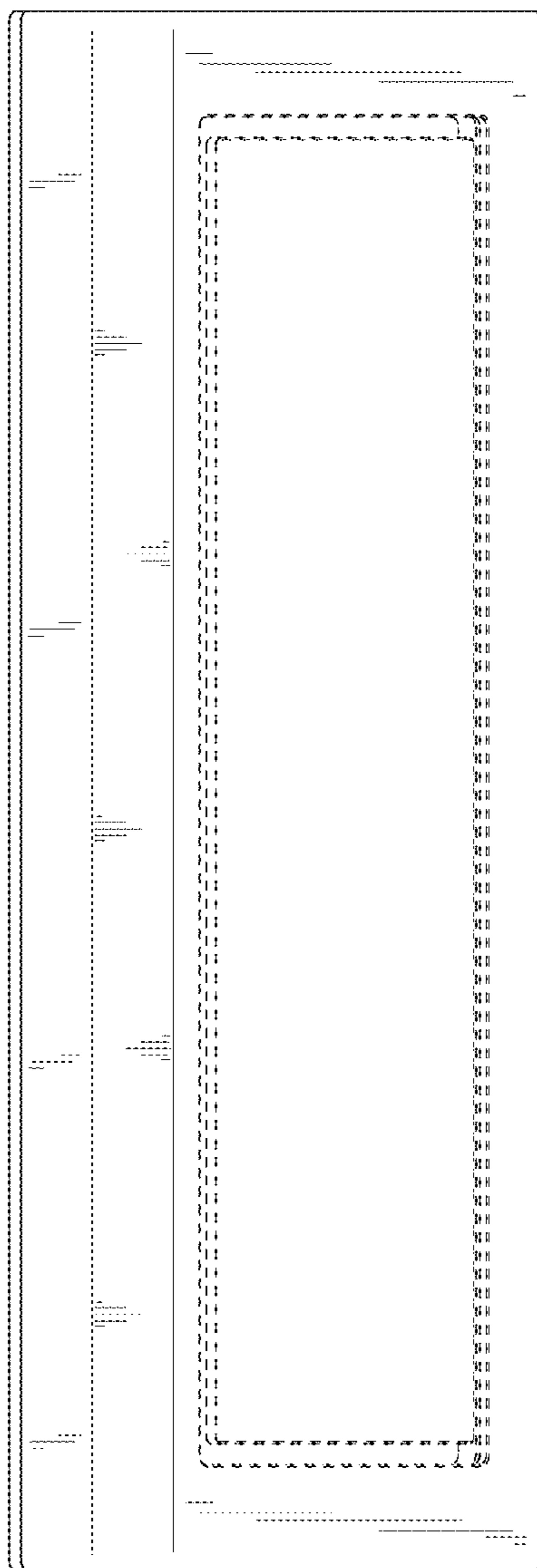


FIG. 3

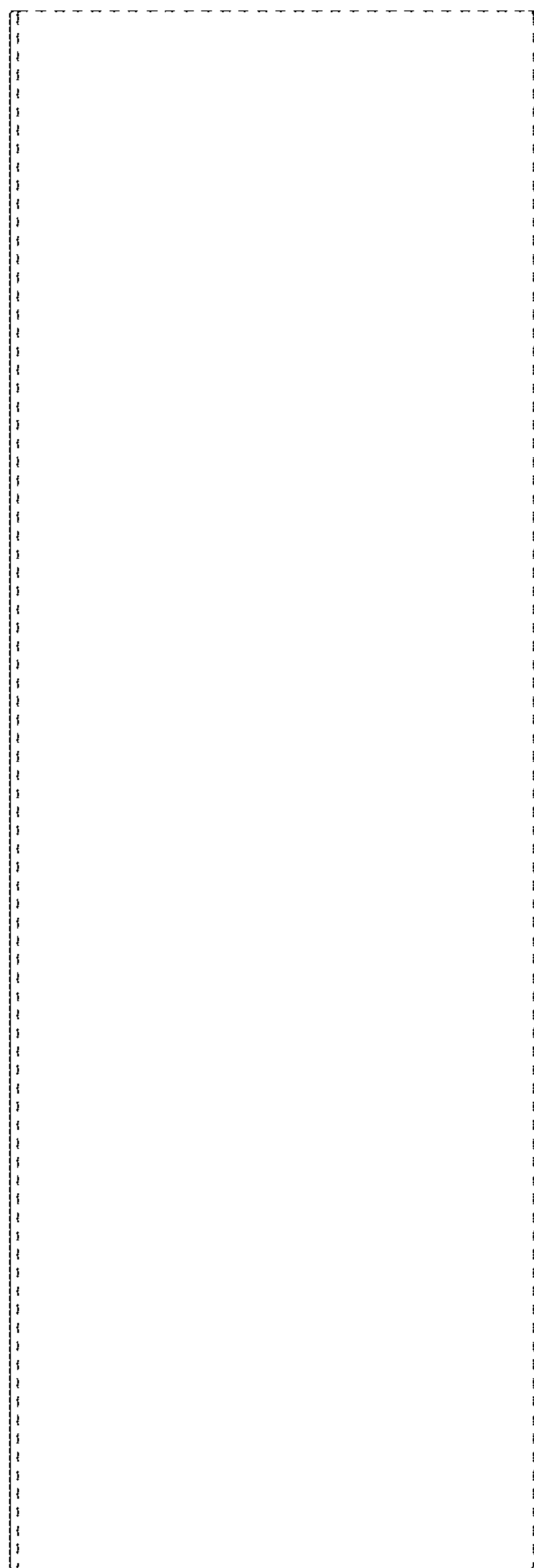


FIG. 4

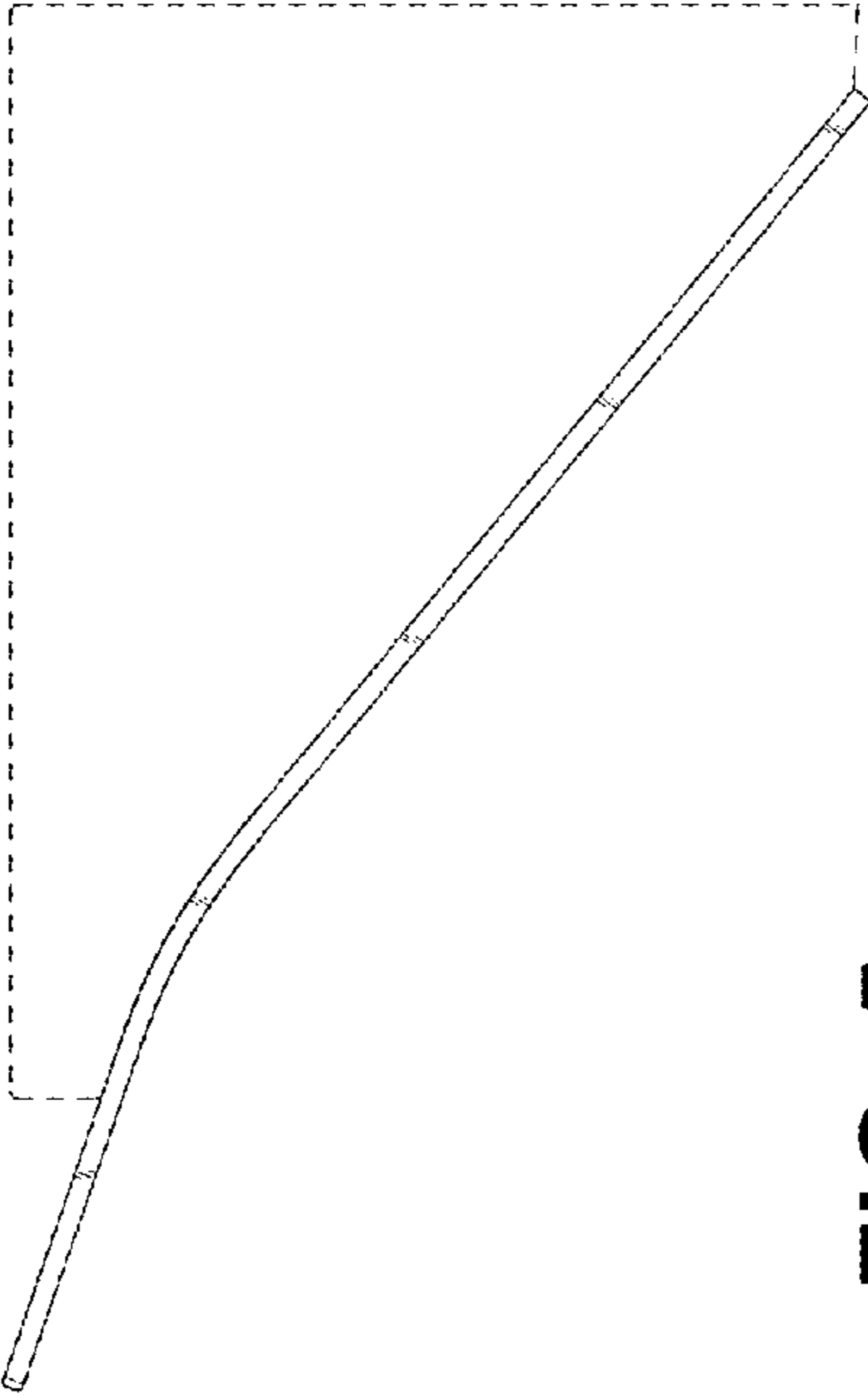


FIG. 5

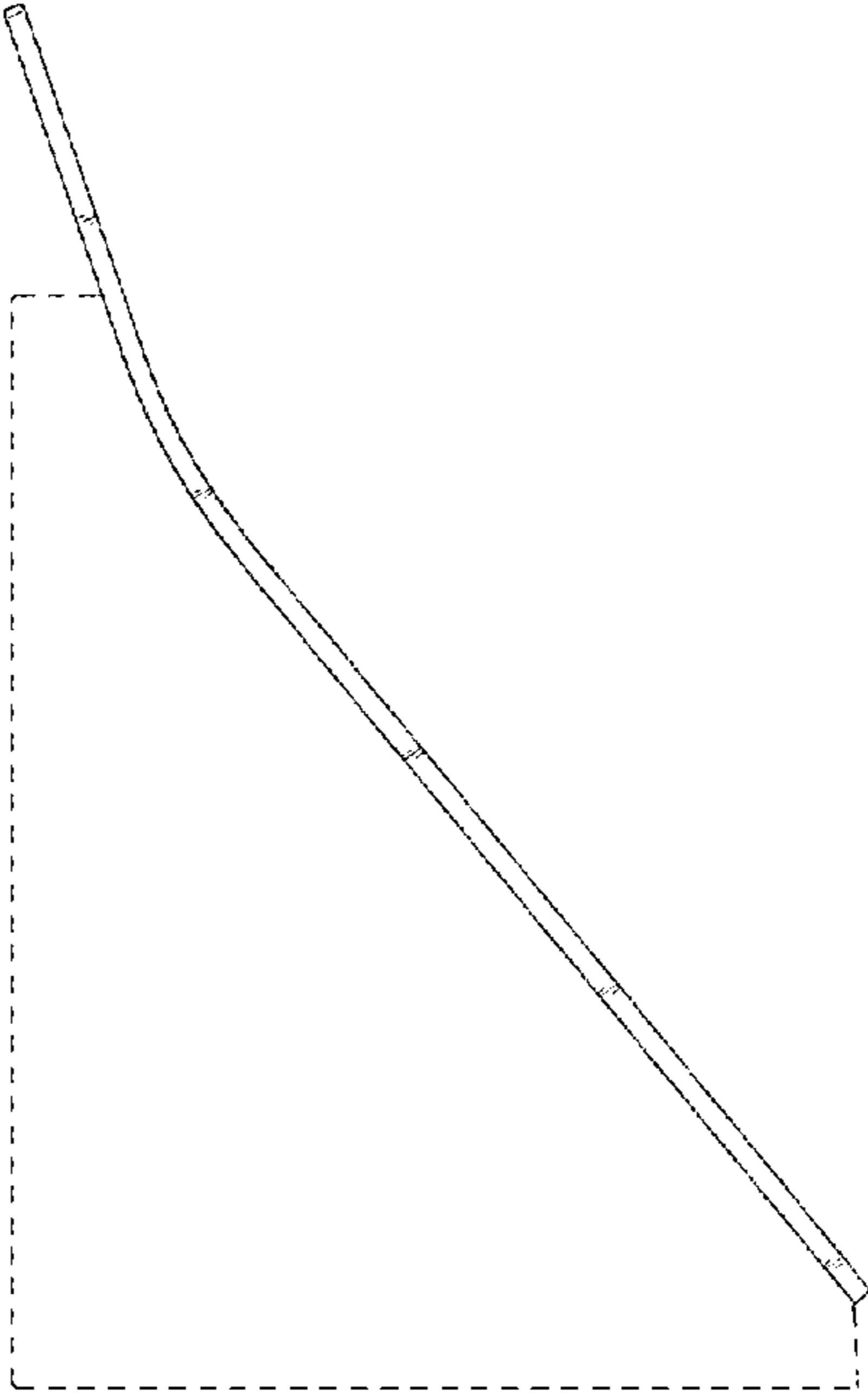


FIG. 6

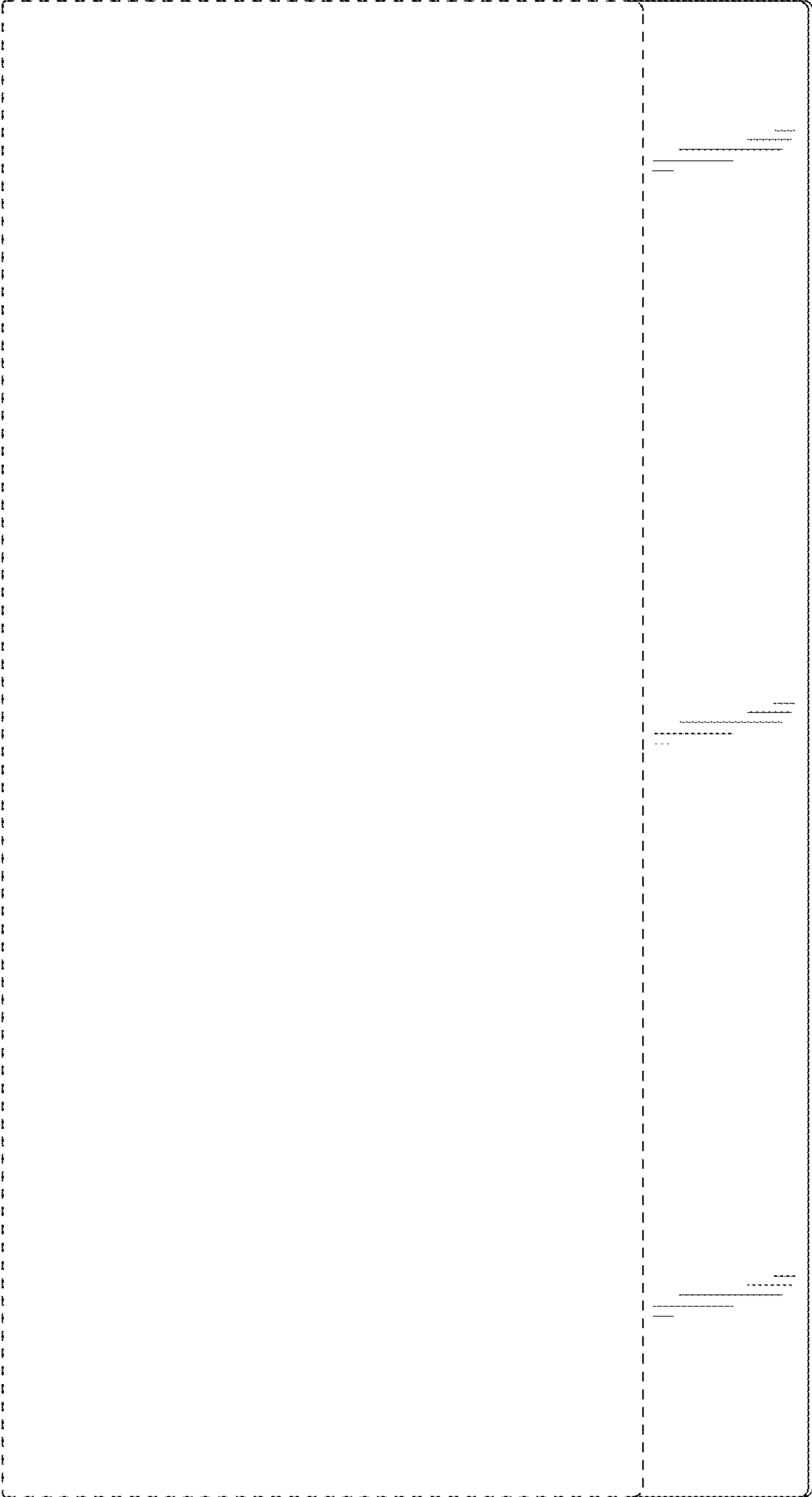


FIG. 7

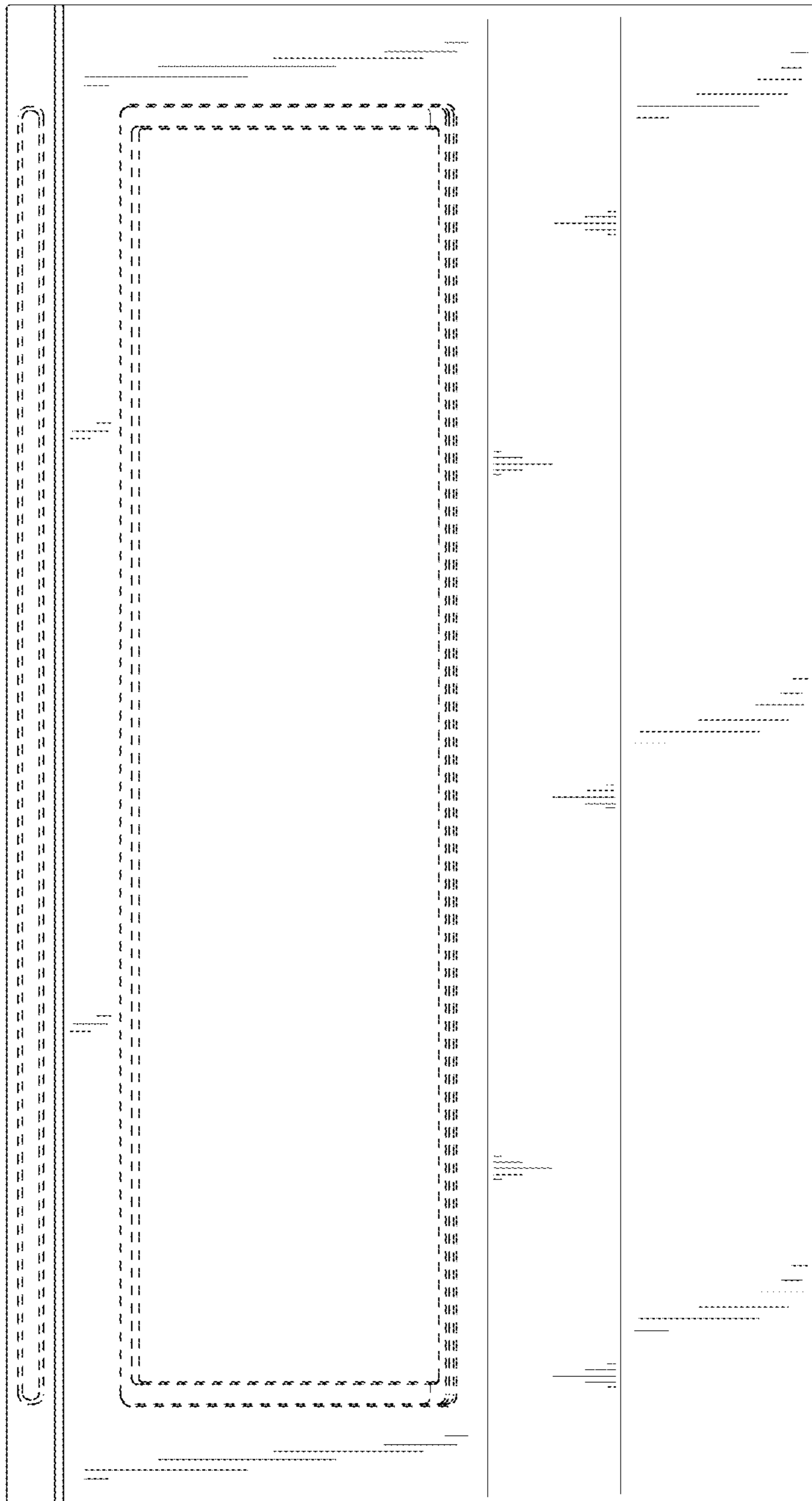


FIG. 8