



US00D736364S

(12) **United States Design Patent**  
**Horiguchi**

(10) **Patent No.:** **US D736,364 S**

(45) **Date of Patent:** **\*\* Aug. 11, 2015**

(54) **EXHAUST CLEANER FOR FLUID PRESSURE DEVICE**

(71) Applicant: **Hiroyuki Horiguchi**, Tsukubamirai (JP)

(72) Inventor: **Hiroyuki Horiguchi**, Tsukubamirai (JP)

(73) Assignee: **SMC Corporation**, Chiyoda-ku, Tokyo (JP)

(\*\*) Term: **14 Years**

(21) Appl. No.: **29/478,535**

(22) Filed: **Jan. 6, 2014**

(30) **Foreign Application Priority Data**

Aug. 30, 2013 (JP) ..... 2013-020071

(51) **LOC (10) Cl.** ..... **23-04**

(52) **U.S. Cl.**  
USPC ..... **D23/365**

(58) **Field of Classification Search**

USPC ..... D23/365, 363, 358, 386, 354, 341, 364,  
D23/209; 55/385, 502, 497, 498, 506, 505,  
55/521, 495, 422, 493, DIG. 30;  
210/497.01, DIG. 17; D12/194; D15/5,  
D15/9; 138/37-39, 114; 181/227, 223;  
D9/549, 558, 559, 560; D22/108  
CPC ..... Y02T 10/47; Y02T 10/24; Y02T 10/20;  
F01N 13/009; C02F 9/00

See application file for complete search history.

(56) **References Cited**

**U.S. PATENT DOCUMENTS**

D254,145 S \* 2/1980 Wilcock ..... D23/209  
D352,544 S \* 11/1994 Golan ..... D23/209  
D372,069 S \* 7/1996 Brancazio et al. .... D23/209  
D417,252 S \* 11/1999 Kay ..... D22/108  
D448,448 S \* 9/2001 Hughes et al. .... D23/209  
D458,570 S \* 6/2002 Wang ..... D12/194  
D468,640 S \* 1/2003 Mitchell et al. .... D9/503  
D478,146 S \* 8/2003 Wygant ..... D22/108

D488,484 S \* 4/2004 Fletcher ..... D15/5  
D492,386 S \* 6/2004 Kamata et al. .... D23/209  
D528,564 S \* 9/2006 Tomiji ..... D15/5  
D536,416 S \* 2/2007 Zabinski et al. .... D23/209  
D587,361 S \* 2/2009 Sakairi ..... D23/365  
D589,601 S \* 3/2009 Horiguchi ..... D23/365  
D589,602 S \* 3/2009 Horiguchi ..... D23/365  
D638,088 S \* 5/2011 Hawthorne et al. .... D22/108  
D643,442 S \* 8/2011 Sato et al. .... D15/9  
D682,974 S \* 5/2013 Honigmann ..... D22/108  
D683,810 S \* 6/2013 Buie, II ..... D22/108  
D712,007 S \* 8/2014 Reid ..... D23/209  
D712,507 S \* 9/2014 Hammerback ..... D23/209  
D720,031 S \* 12/2014 Buffoni ..... D22/108

(Continued)

*Primary Examiner* — David Muller

*Assistant Examiner* — Nathan Johnston

(74) *Attorney, Agent, or Firm* — Yokoi & Co., U.S.A.;  
Toshiyuki Yokoi

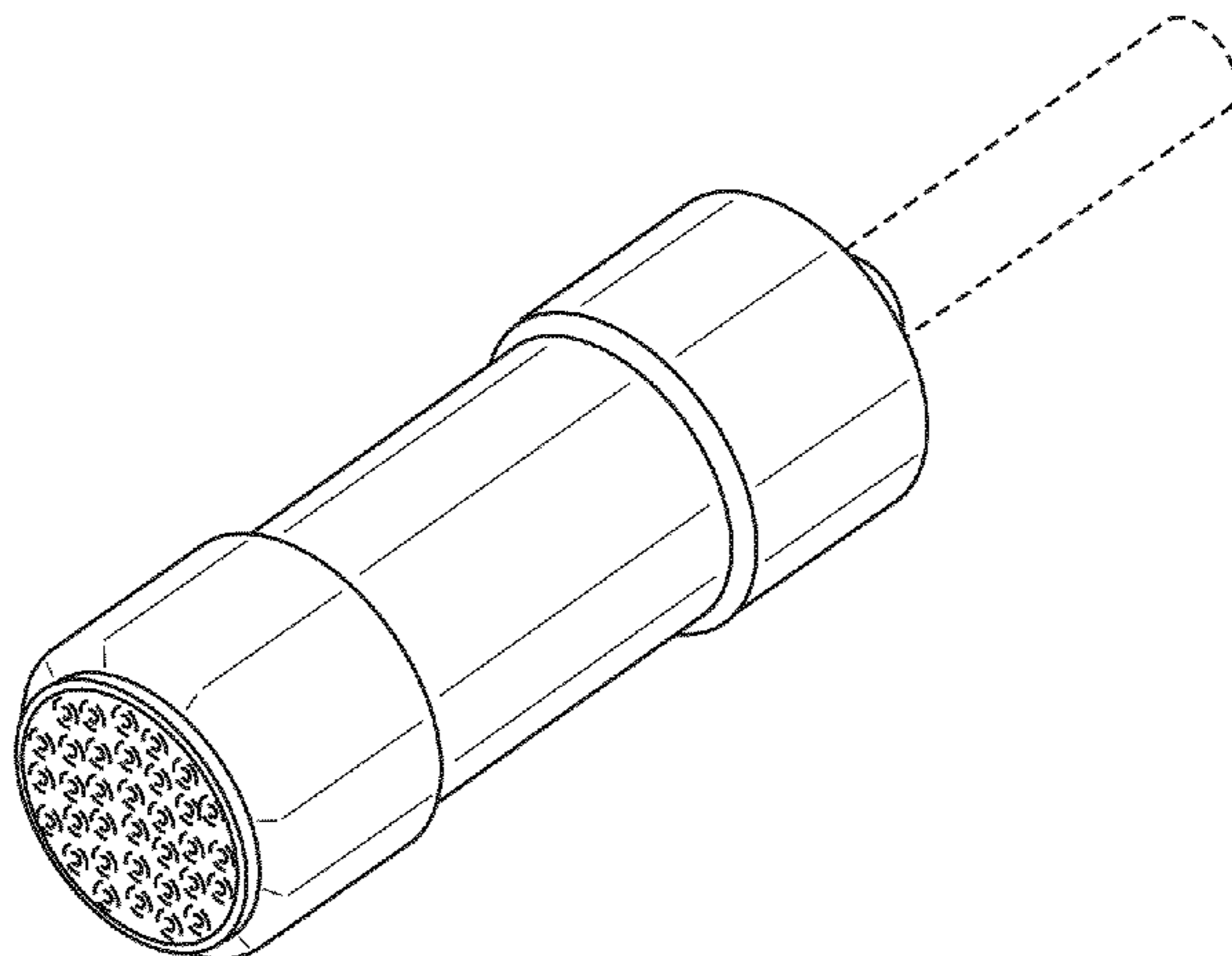
(57) **CLAIM**

The ornamental design for an exhaust cleaner for fluid pressure device, as shown and described.

**DESCRIPTION**

FIG. 1 shows a front view of an exhaust cleaner for fluid pressure device showing my new design;  
FIG. 2 shows a rear view thereof;  
FIG. 3 shows a right side view thereof;  
FIG. 4 shows a left side view thereof;  
FIG. 5 shows a top view thereof;  
FIG. 6 shows a bottom view thereof;  
FIG. 7 shows a bottom, front and left side perspective view thereof;  
FIG. 8 shows a top, front and right side perspective view thereof; and,  
FIG. 9 shows an enlarged cross-sectional view thereof, taken along line 9-9 in FIG. 1.  
The portions of the design shown in broken lines in FIGS. 1-9 are for the purpose of illustrating the environment only and form no part of the claimed design.

**1 Claim, 5 Drawing Sheets**



(56)

**References Cited**

D726,870 S \* 4/2015 Ruprecht ..... D23/209  
2006/0102534 A1 \* 5/2006 Faria ..... 210/130

U.S. PATENT DOCUMENTS

8,974,569 B2 \* 3/2015 Matula et al. .... 55/482 \* cited by examiner

FIG. 1

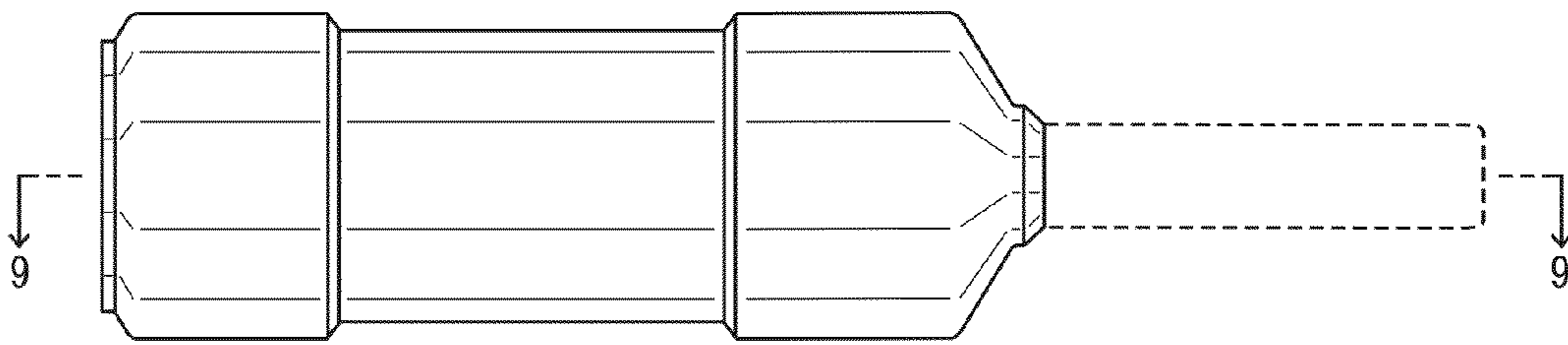


FIG. 2

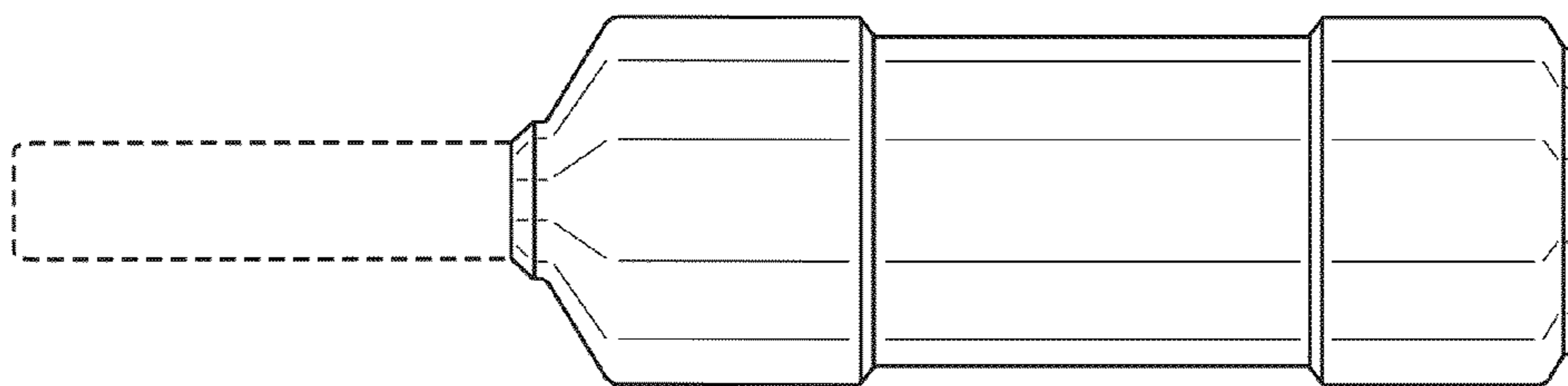


FIG. 3

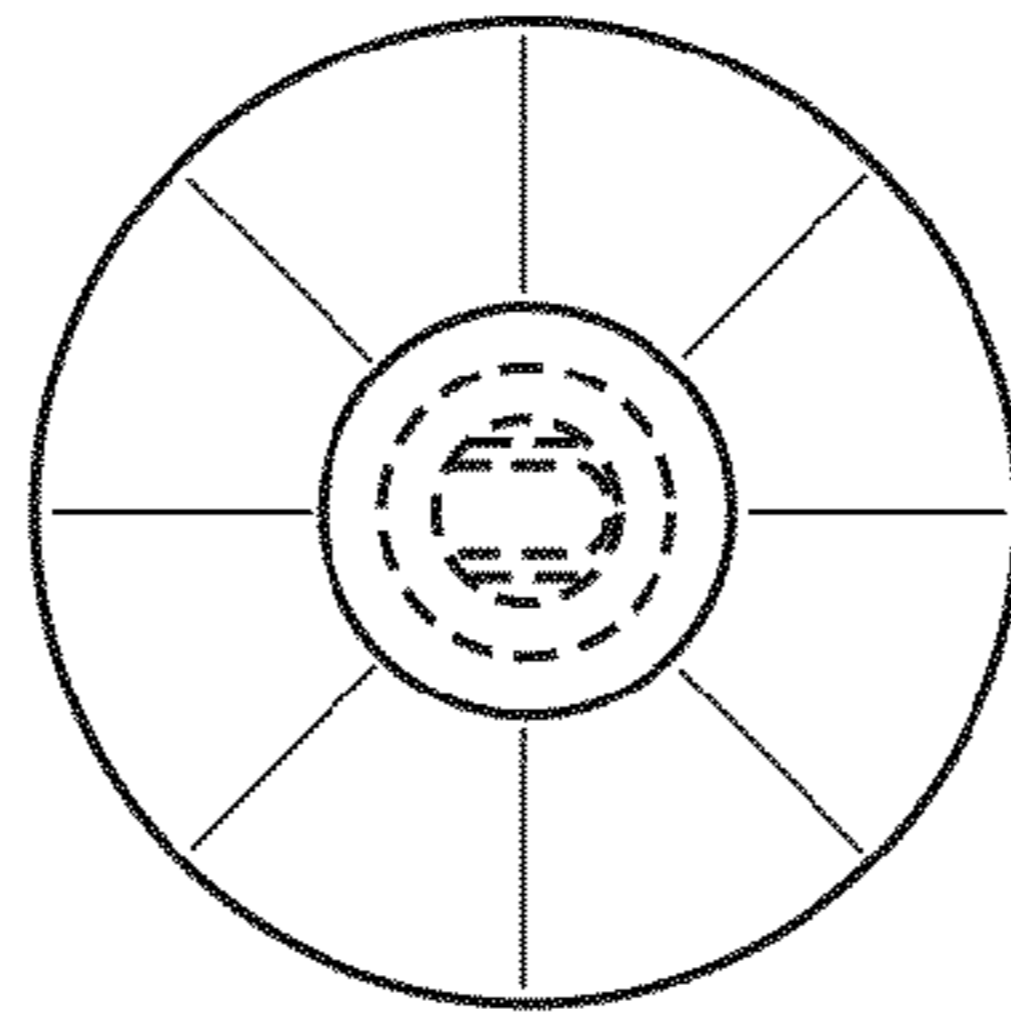


FIG. 4

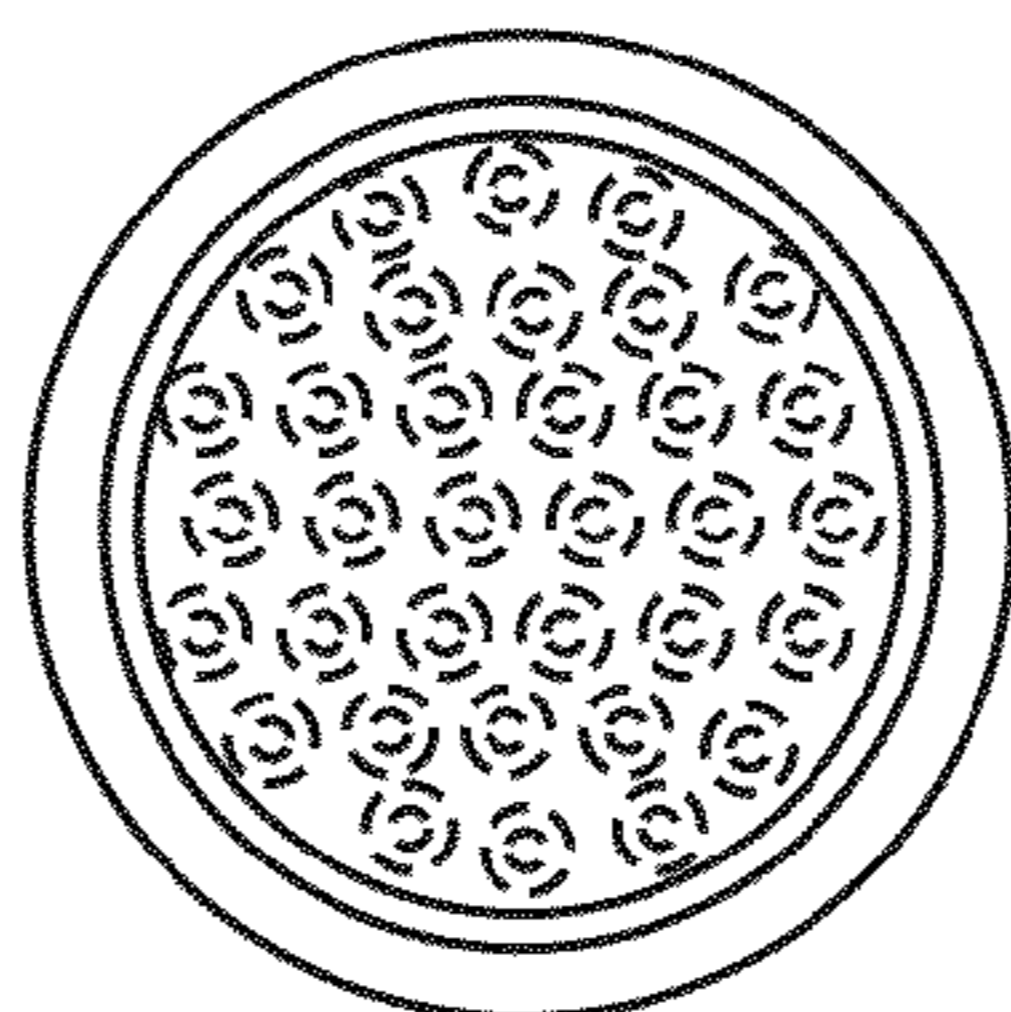


FIG. 5

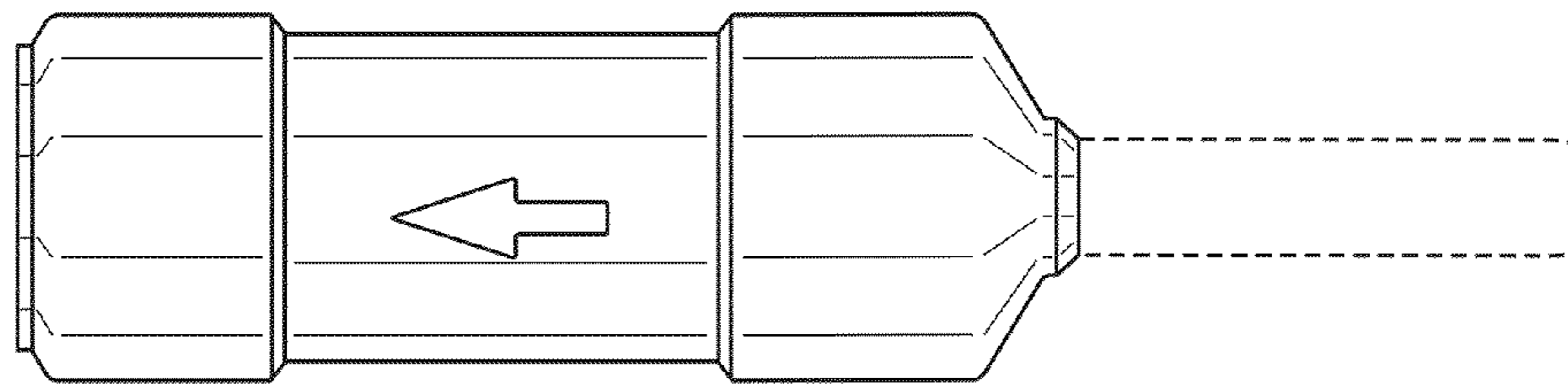


FIG. 6

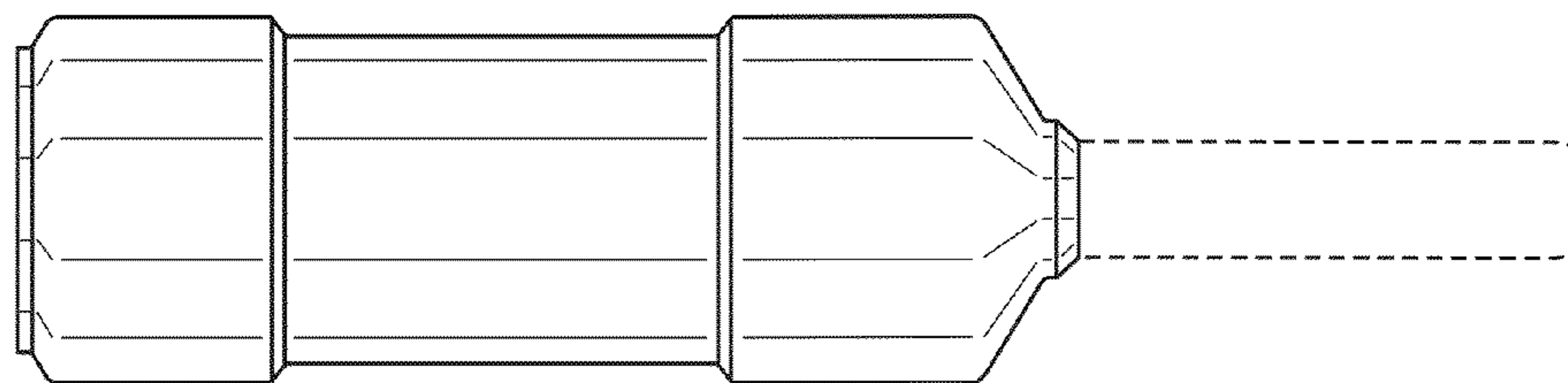


FIG. 7

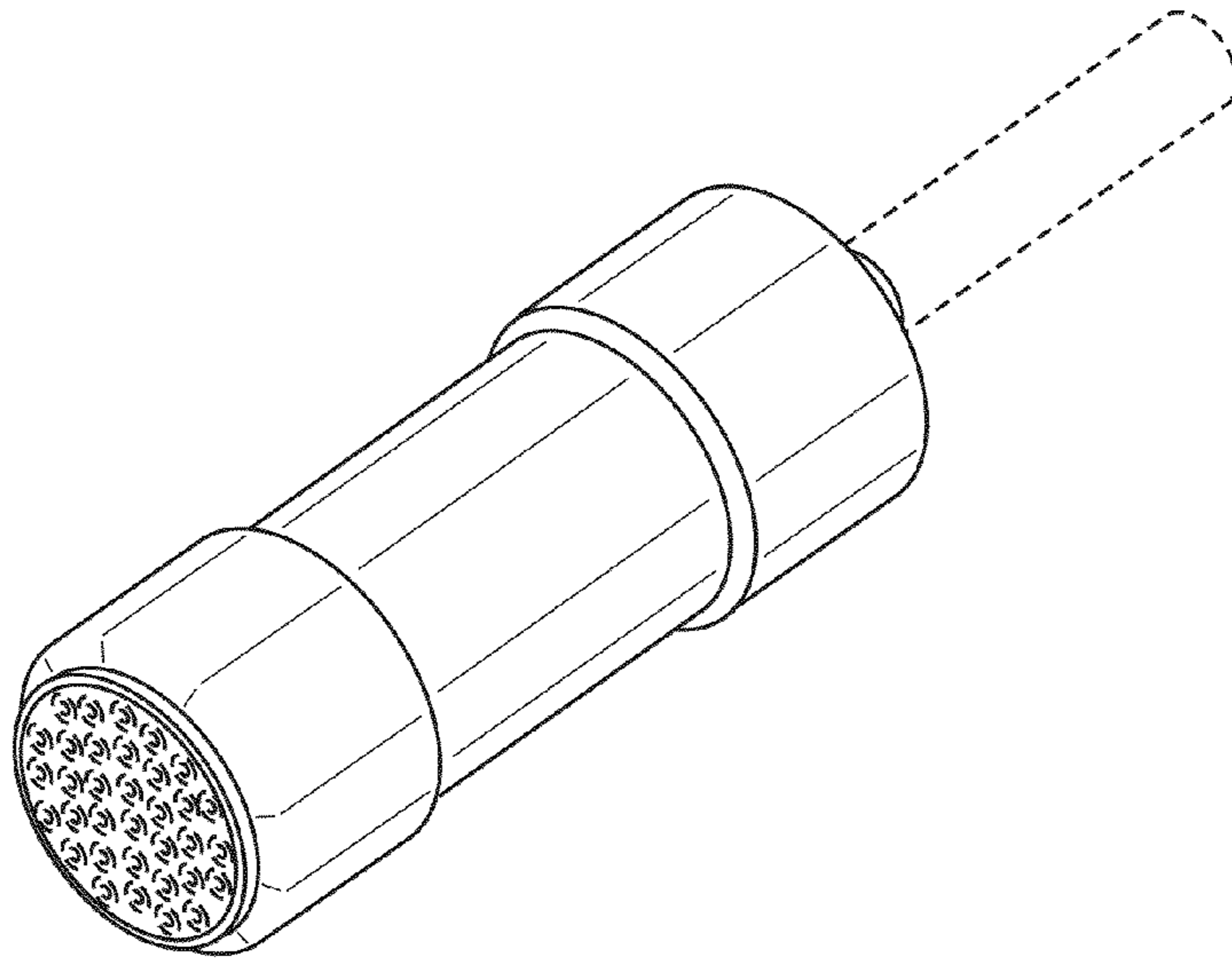


FIG. 8

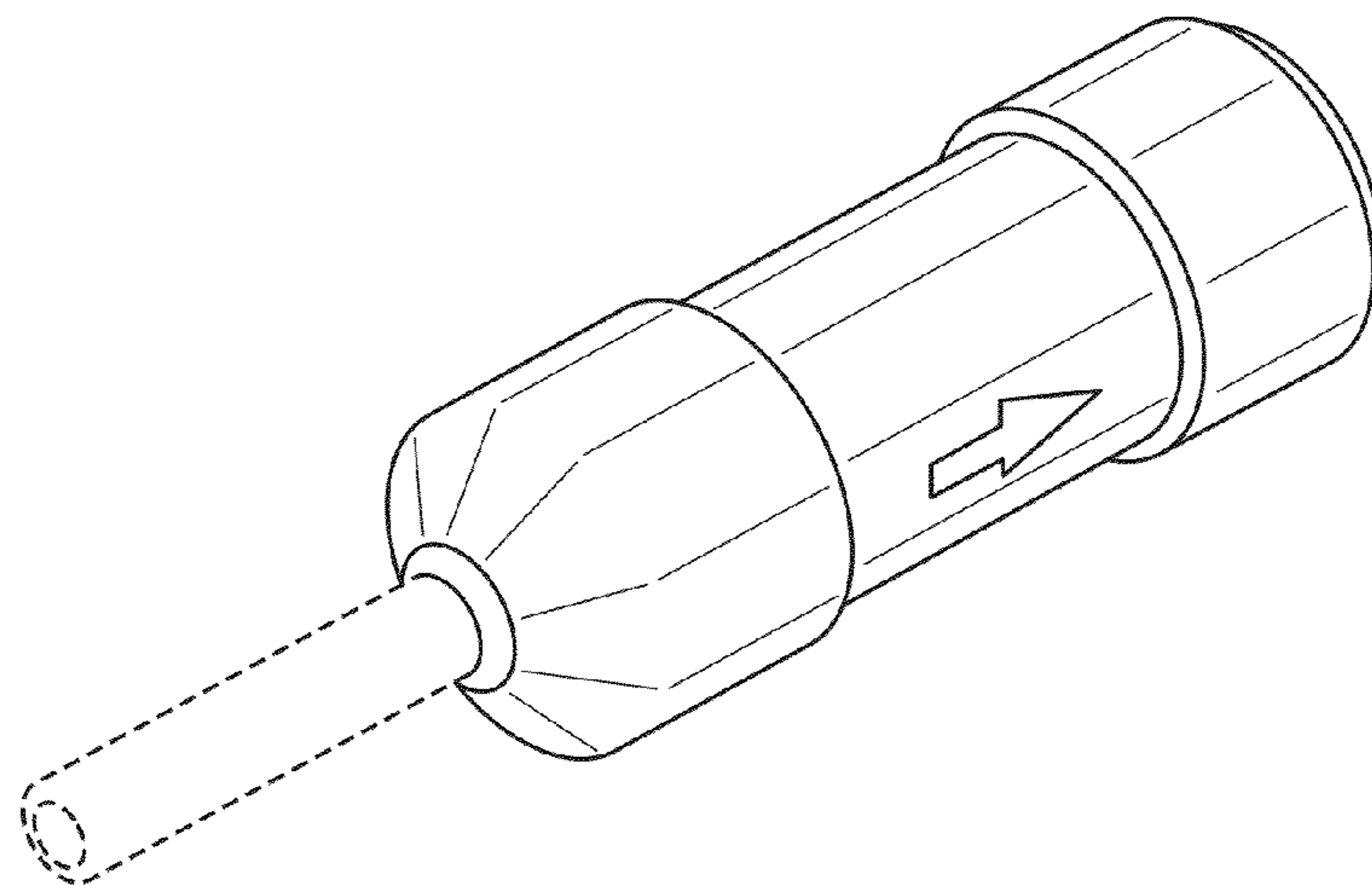




FIG. 9

