



US00D736363S

(12) **United States Design Patent**
Pereira et al.

(10) **Patent No.:** **US D736,363 S**

(45) **Date of Patent:** **** Aug. 11, 2015**

(54) **AIR CONDITIONING COVER**

(56) **References Cited**

(71) Applicants: **Vincent Pereira**, Queens Village, NY
(US); **Ramdai Pereira**, Queens Village,
NY (US)

(72) Inventors: **Vincent Pereira**, Queens Village, NY
(US); **Ramdai Pereira**, Queens Village,
NY (US)

(**) Term: **14 Years**

(21) Appl. No.: **29/457,897**

(22) Filed: **Jun. 13, 2013**

(51) **LOC (10) Cl.** **23-03**

(52) **U.S. Cl.**
USPC **D23/354**

(58) **Field of Classification Search**
USPC D23/351-354, 314, 333, 341, 386;
D30/108; D6/610; D25/53; 52/73, 664;
150/165; 454/202, 204, 224; 62/262;
119/452, 484

See application file for complete search history.

U.S. PATENT DOCUMENTS

3,006,498	A	*	10/1961	Thiede et al.	D23/354
4,788,805	A	*	12/1988	Shaw	454/202
D394,901	S	*	6/1998	Governale et al.	D23/354
D634,413	S	*	3/2011	Wallace	D23/354
D704,812	S	*	5/2014	Benjamin, Sr.	D23/354

* cited by examiner

Primary Examiner — Brian N Vinson

(74) *Attorney, Agent, or Firm* — QuickPatents; Kevin Prince

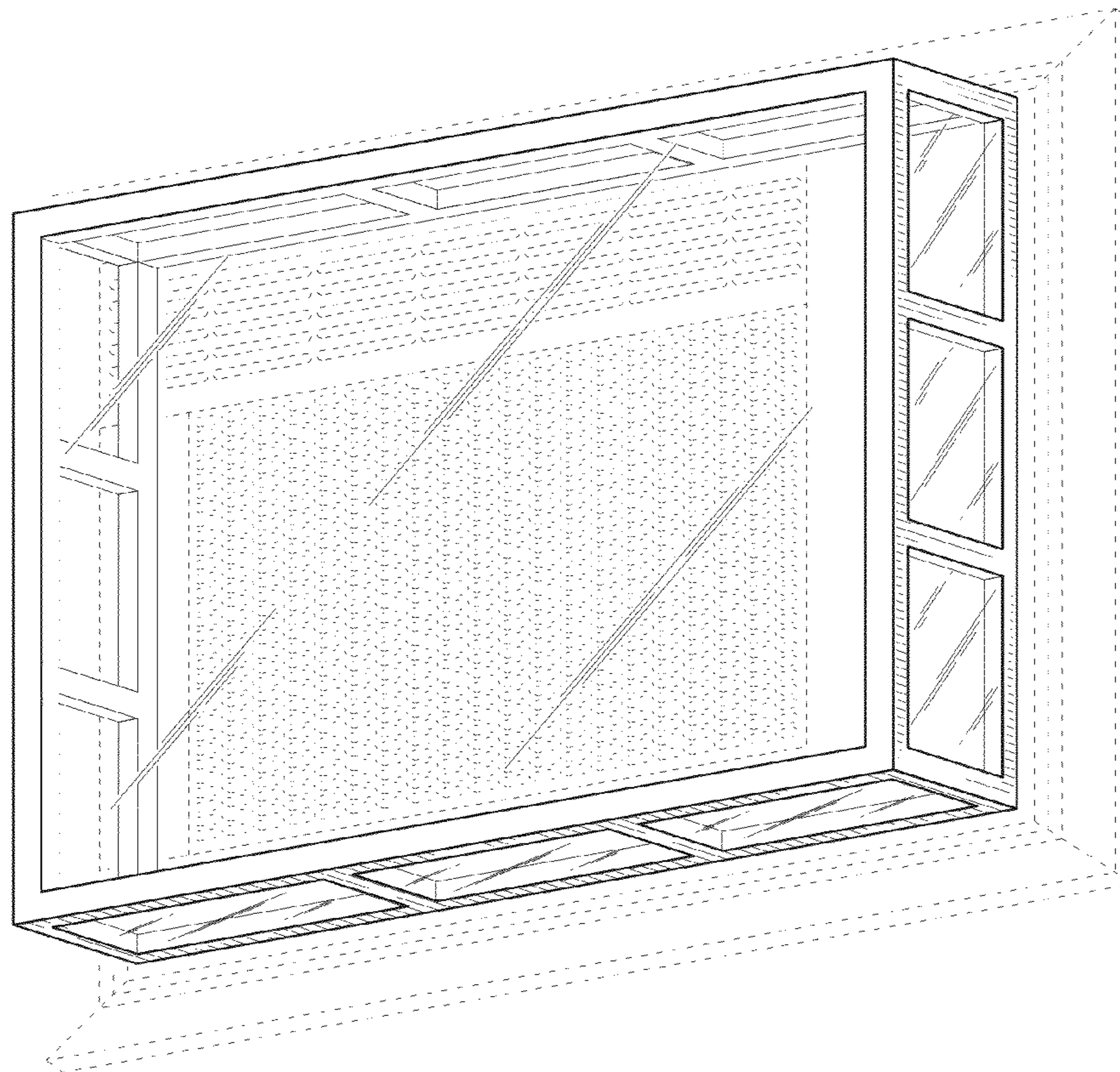
(57) **CLAIM**

We claim the ornamental design for an air conditioning cover,
as shown and described.

DESCRIPTION

FIG. 1 is a perspective view of an air conditioning cover,
showing our new design;
FIG. 2 is a front elevational view thereof;
FIG. 3 is a rear elevational view thereof;
FIG. 4 is a left-side elevational view thereof;
FIG. 5 is a right-side elevational view thereof;
FIG. 6 is a top plan view thereof; and,
FIG. 7 is a bottom plan view thereof.
The broken lines showing a window frame and air condition-
ing unit in FIG. 1 depict environmental matter and form no
part of the claimed design.

1 Claim, 3 Drawing Sheets



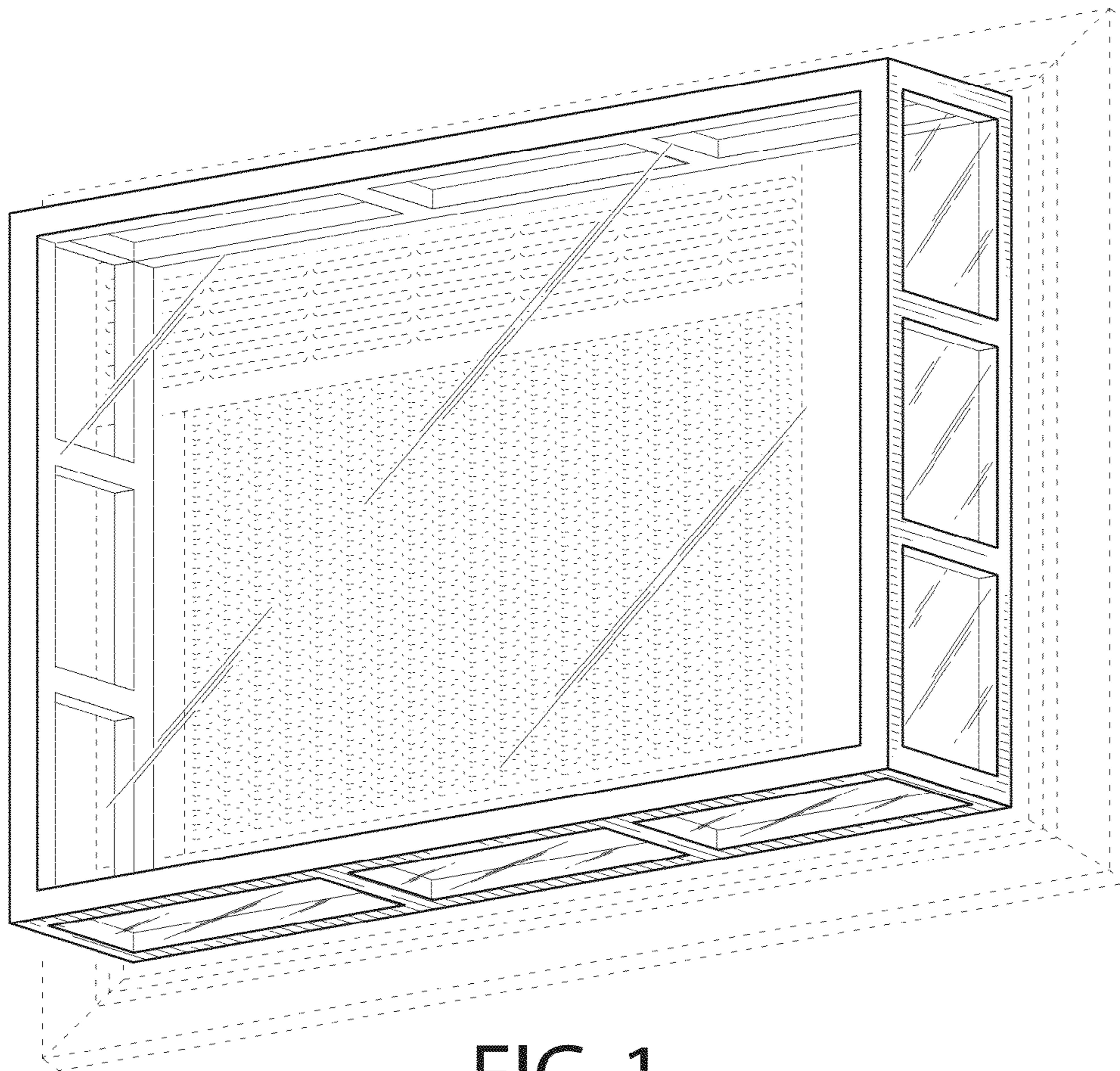


FIG. 1

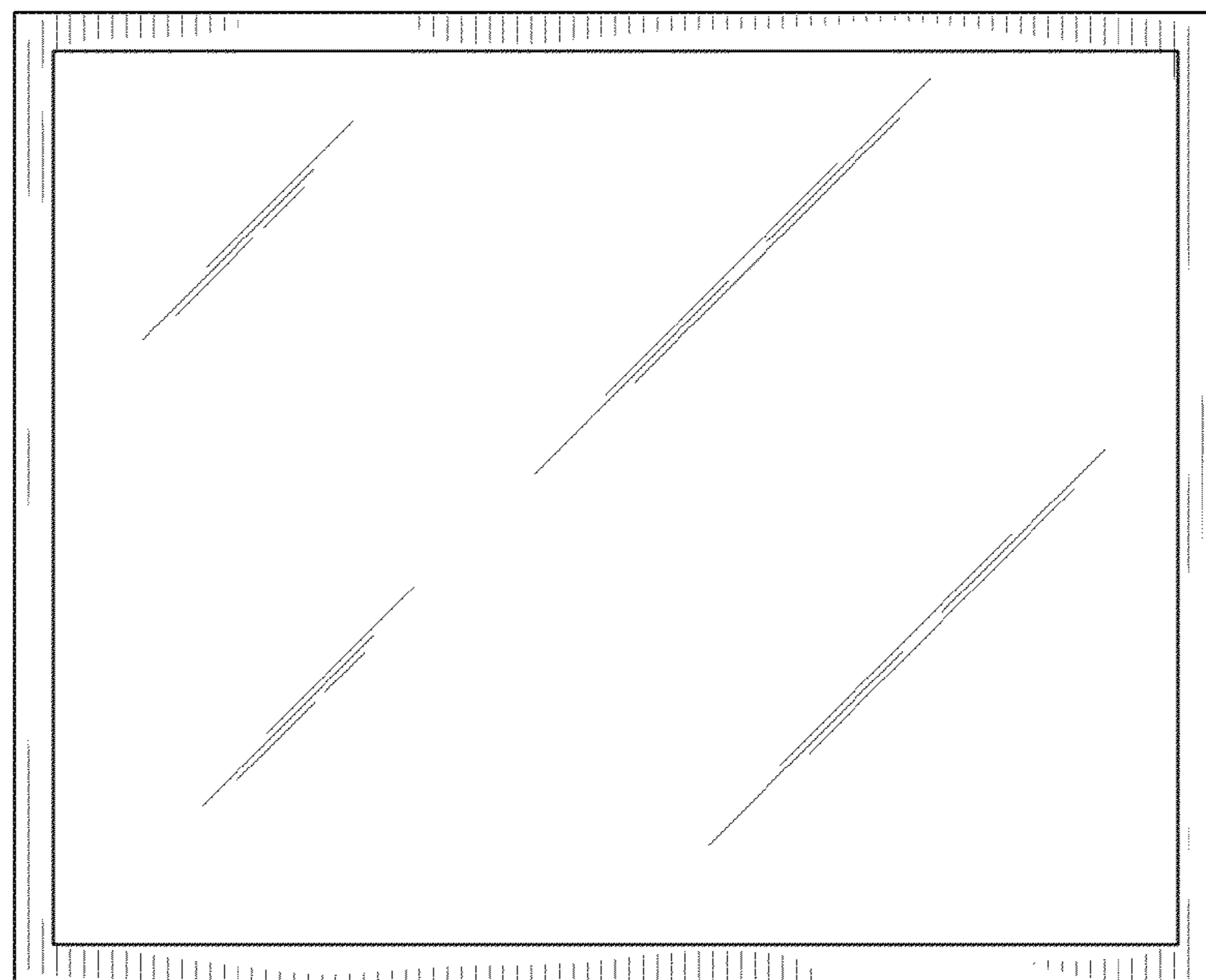


FIG. 2

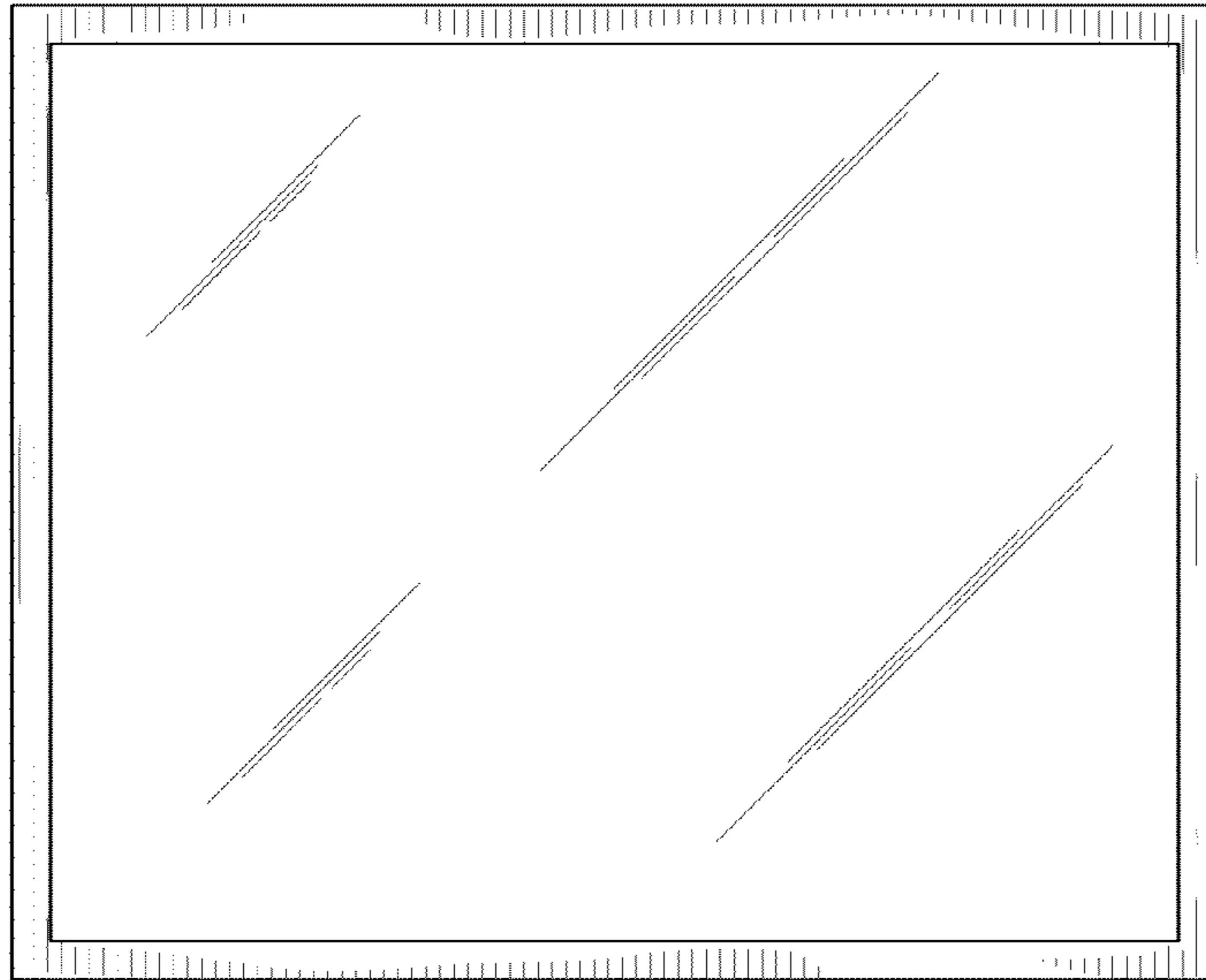


FIG. 3

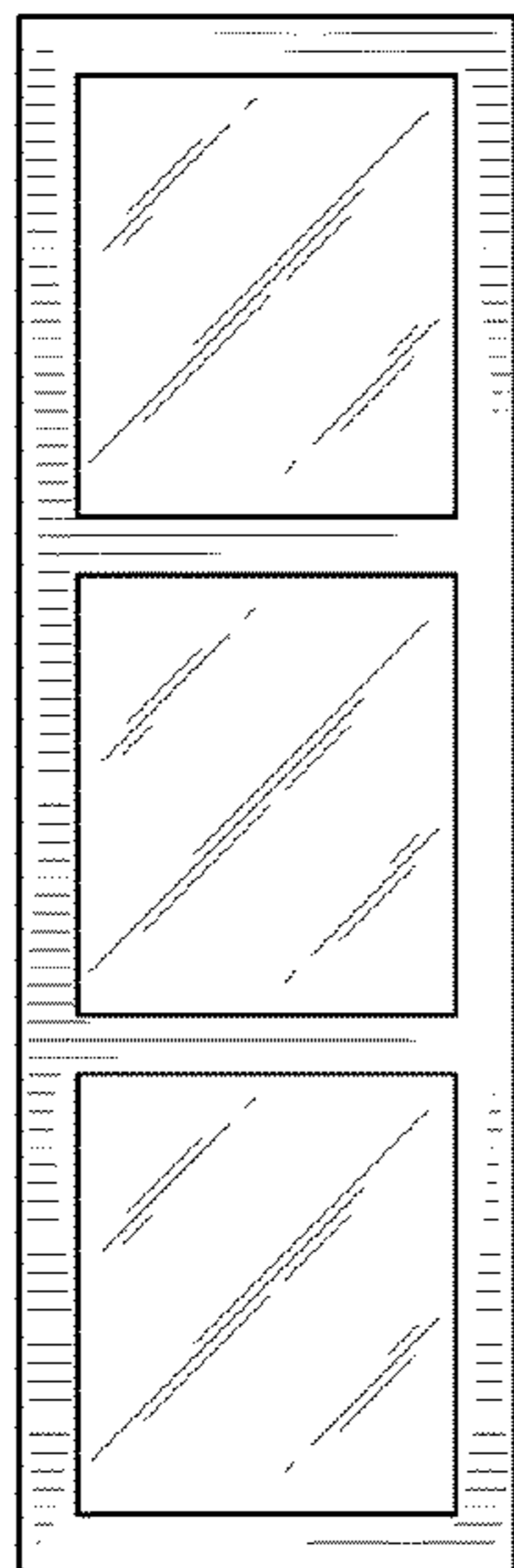


FIG. 4

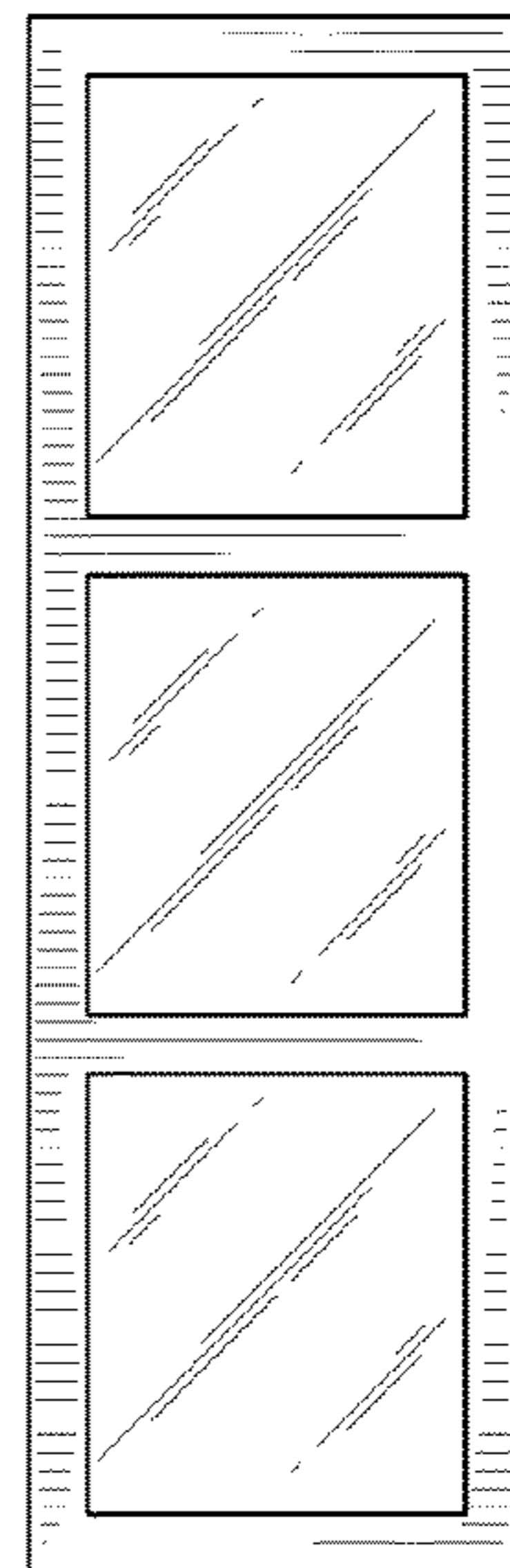


FIG. 5

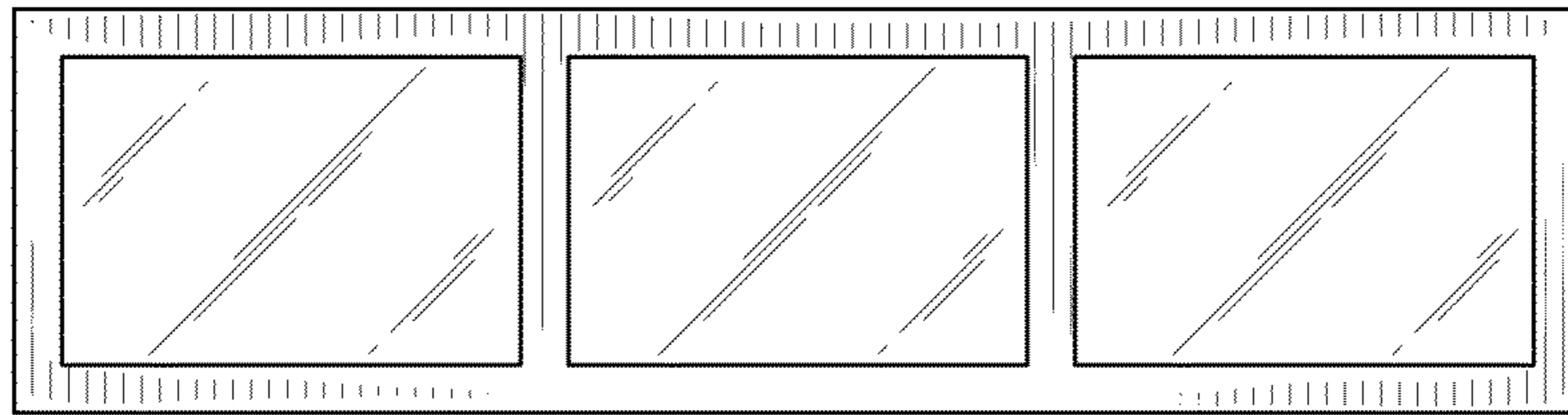


FIG. 6

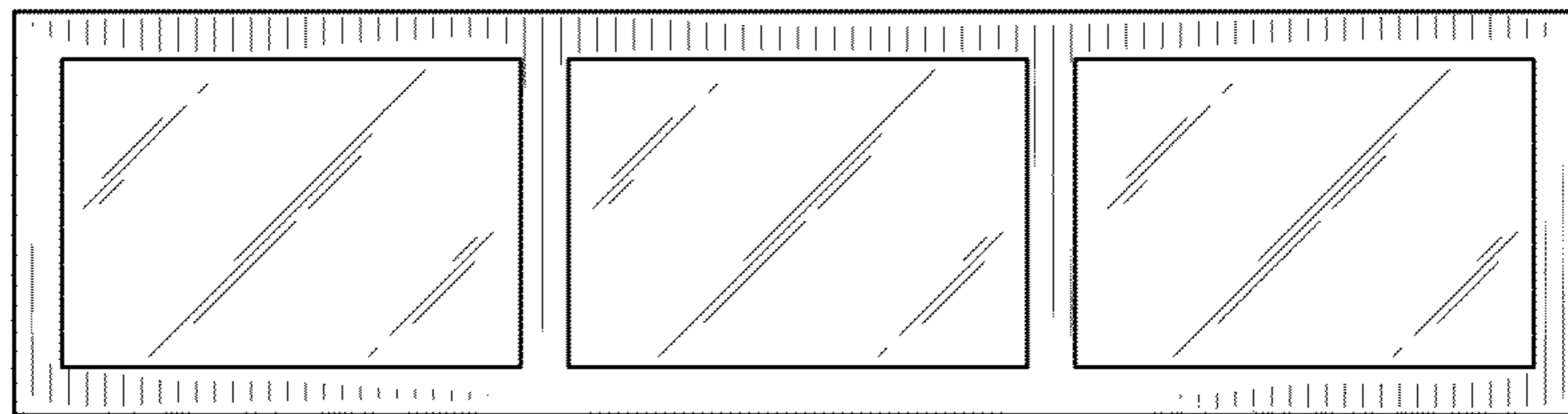


FIG. 7