



US00D736359S

(12) **United States Design Patent**  
**Melo et al.**

(10) **Patent No.:** **US D736,359 S**

(45) **Date of Patent:** **\*\* Aug. 11, 2015**

(54) **MALE HOSE COUPLINGS**

(71) Applicants: **Michael Melo**, Pawtucket, RI (US);  
**Mark Buchan**, Pawtucket, RI (US);  
**David Vaz**, Pawtucket, RI (US)

(72) Inventors: **Michael Melo**, Pawtucket, RI (US);  
**Mark Buchan**, Pawtucket, RI (US);  
**David Vaz**, Pawtucket, RI (US)

(73) Assignee: **Teknor Apex Company**, Pawtucket, RI (US)

(\*\*) Term: **14 Years**

(21) Appl. No.: **29/472,380**

(22) Filed: **Nov. 12, 2013**

(51) **LOC (10) Cl.** ..... **23-01**

(52) **U.S. Cl.**  
USPC ..... **D23/262**

(58) **Field of Classification Search**  
USPC ..... D23/262, 259, 393, 260; D8/387, 21;  
D13/133, 151; 285/248, 22.5, 86;  
439/578, 321; 81/121.1; 66/13  
CPC ..... F16L 33/224; F16L 33/26; F16L 37/352;  
H01R 13/622; B25B 13/065; D04B 35/06  
See application file for complete search history.

(56) **References Cited**

**U.S. PATENT DOCUMENTS**

2,414,789	A *	1/1947	Anderson et al. ....	285/248
2,978,262	A *	4/1961	Franck .....	285/248
3,008,736	A *	11/1961	Samiran .....	285/222.5
3,115,354	A *	12/1963	Bowan et al. ....	285/52
3,162,470	A *	12/1964	Owens et al. ....	285/86
D227,763	S *	7/1973	Hand .....	D23/262
D234,847	S *	4/1975	Hoffman .....	D23/262
D248,824	S *	8/1978	Imai et al. ....	D8/387
D254,802	S *	4/1980	Hayes .....	D23/262
D267,506	S *	1/1983	Evans .....	D23/262
D278,310	S *	4/1985	Allen .....	D8/21
D336,510	S *	6/1993	Sawtelle .....	D23/262

D347,467	S *	5/1994	Medvick .....	D23/262
D349,758	S *	8/1994	Hallbach et al. ....	D23/259
D356,147	S *	3/1995	Clivio .....	D23/262
D374,814	S *	10/1996	Saito .....	D8/387
D443,343	S *	6/2001	Chien .....	D23/265
D446,298	S *	8/2001	Thurman .....	D23/393
D455,819	S *	4/2002	Hoenig .....	D23/259

(Continued)

**FOREIGN PATENT DOCUMENTS**

CN	302123994	*	10/2012
CN	302124000	*	10/2012

**OTHER PUBLICATIONS**

Pelican Parts 1/4" NPT A-Type Air Coupler-Female, Announced Feb. 1, 2002; [Site Visited May 12, 2015] [http://www.pelicanparts.com/catalog/shopcart/TOOL/POR\\_TOOL\\_CAT295\\_pg7.htm](http://www.pelicanparts.com/catalog/shopcart/TOOL/POR_TOOL_CAT295_pg7.htm).\*

(Continued)

*Primary Examiner* — John Windmuller

*Assistant Examiner* — Luqman McNeil

(74) *Attorney, Agent, or Firm* — Chace Ruttenberg & Freedman LLP

(57) **CLAIM**

A male hose coupling, as shown and described.

**DESCRIPTION**

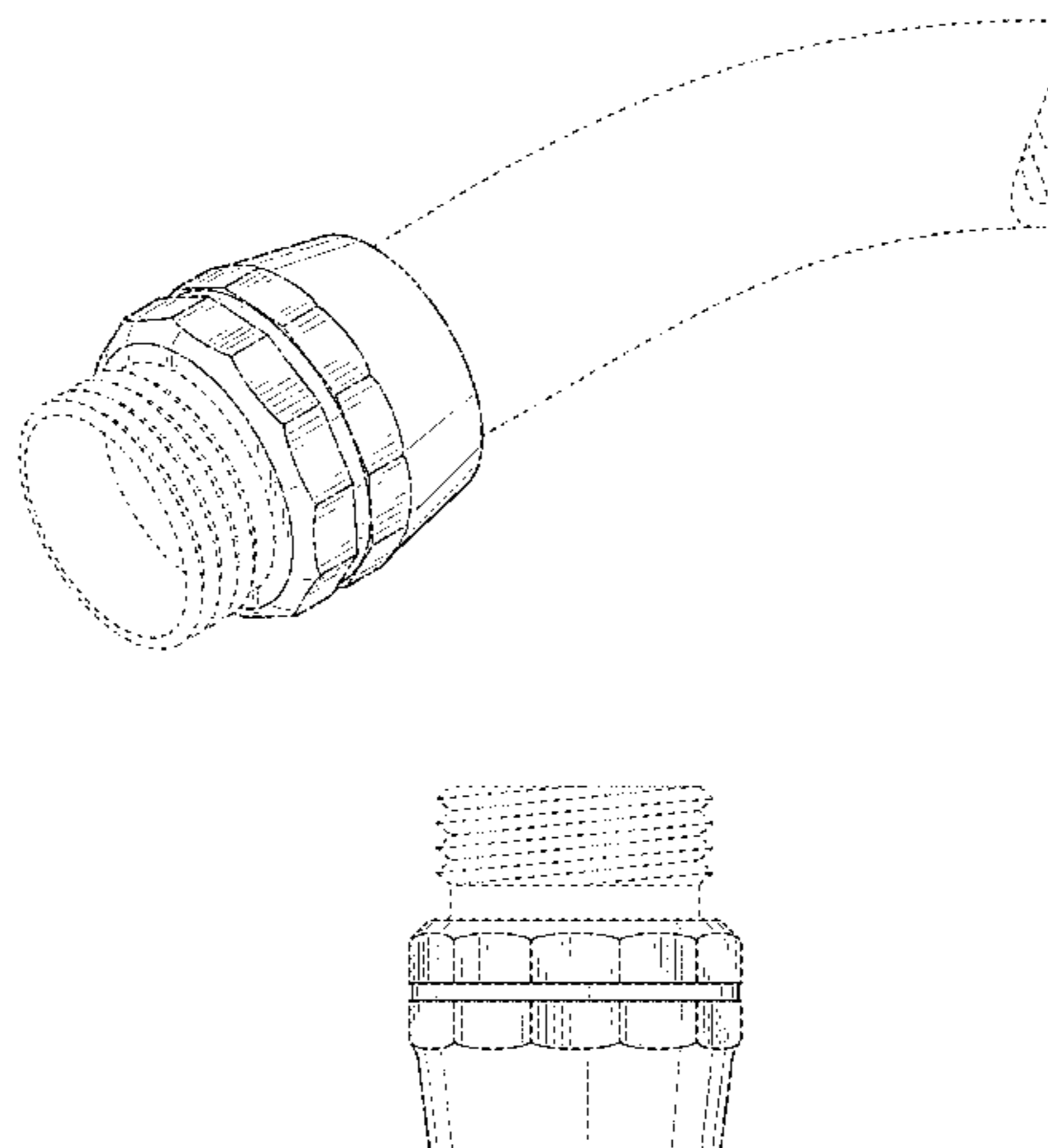
FIG. 1 is a right front perspective view of a male hose coupling;

FIG. 2 is a side elevation view of a male hose coupling illustrated in FIG. 1, all sides being identical to that shown; FIG. 3 is a top plan view of a male hose coupling illustrated in FIG. 1; and,

FIG. 4 is a bottom plan view of a male hose coupling illustrated in FIG. 1.

The broken line showing is included for the purpose of illustrating portions of the male hose coupling that form no part of the claimed design.

**1 Claim, 2 Drawing Sheets**



(56)

References Cited

U.S. PATENT DOCUMENTS

D461,545 S \* 8/2002 Nishio ..... D23/266  
 D463,537 S \* 9/2002 Kozu et al. .... D23/262  
 D475,768 S 6/2003 Walker  
 D475,769 S 6/2003 Walker  
 D513,406 S \* 1/2006 Rodrigues et al. .... D13/133  
 D519,452 S \* 4/2006 Rodrigues et al. .... D13/133  
 D519,453 S \* 4/2006 Rodrigues et al. .... D13/133  
 D521,147 S \* 5/2006 Sandman et al. .... D23/393  
 7,063,565 B2 \* 6/2006 Ward ..... 439/578  
 D529,598 S \* 10/2006 Sandman et al. .... D23/393  
 D535,259 S \* 1/2007 Rodrigues et al. .... D13/151  
 D565,707 S \* 4/2008 Brockington et al. .... D23/262  
 D575,377 S 8/2008 Roman  
 D576,258 S \* 9/2008 Ribers ..... D23/262  
 D586,434 S \* 2/2009 Brockington et al. .... D23/259  
 7,566,236 B2 \* 7/2009 Malloy et al. .... 439/321  
 D600,546 S \* 9/2009 Scilingo et al. .... D8/397  
 D601,095 S \* 9/2009 Rodrigues ..... D13/151  
 D610,240 S \* 2/2010 Tausch ..... D23/262  
 D613,827 S 4/2010 Damaske et al.  
 D627,039 S \* 11/2010 Yu ..... D23/260  
 D638,104 S \* 5/2011 Govoni et al. .... D23/262  
 7,946,199 B2 \* 5/2011 Bradley ..... 81/121.1

D648,006 S \* 11/2011 Morishita ..... D23/259  
 D650,050 S \* 12/2011 Berghuijs ..... D23/262  
 D661,787 S \* 6/2012 Johnson ..... D23/262  
 D676,943 S \* 2/2013 Kluss et al. .... D23/262  
 D677,766 S 3/2013 Chen  
 D679,784 S 4/2013 Meyer  
 2004/0183302 A1 \* 9/2004 Allen et al. .... 285/322  
 2012/0210752 A1 \* 8/2012 Ragner ..... 66/13

OTHER PUBLICATIONS

Standard Quick Disconnect Coupling DN; Announced Feb. 13, 2012, [Site Visited May 12, 2015] <http://www.rakord.com/fr/catalog/standard-quick-disconnect-couplings-dn-7-2/>.  
 PDF of Gilmour Male Hose Coupling product from Internet advertisement.  
 PDF of Melnor Female Hose Coupling product from internet advertisement.  
 PDF of Melnor 5MQC Female Hose Coupling from Internet advertisement.  
 PDF of Melnor Hose Coupling from internet advertisement.  
 PDF of Melnor Hose Coupling from internet advertisement.  
 PDF of NorthStar Garden Hose Coupling from internet advertisement.

\* cited by examiner

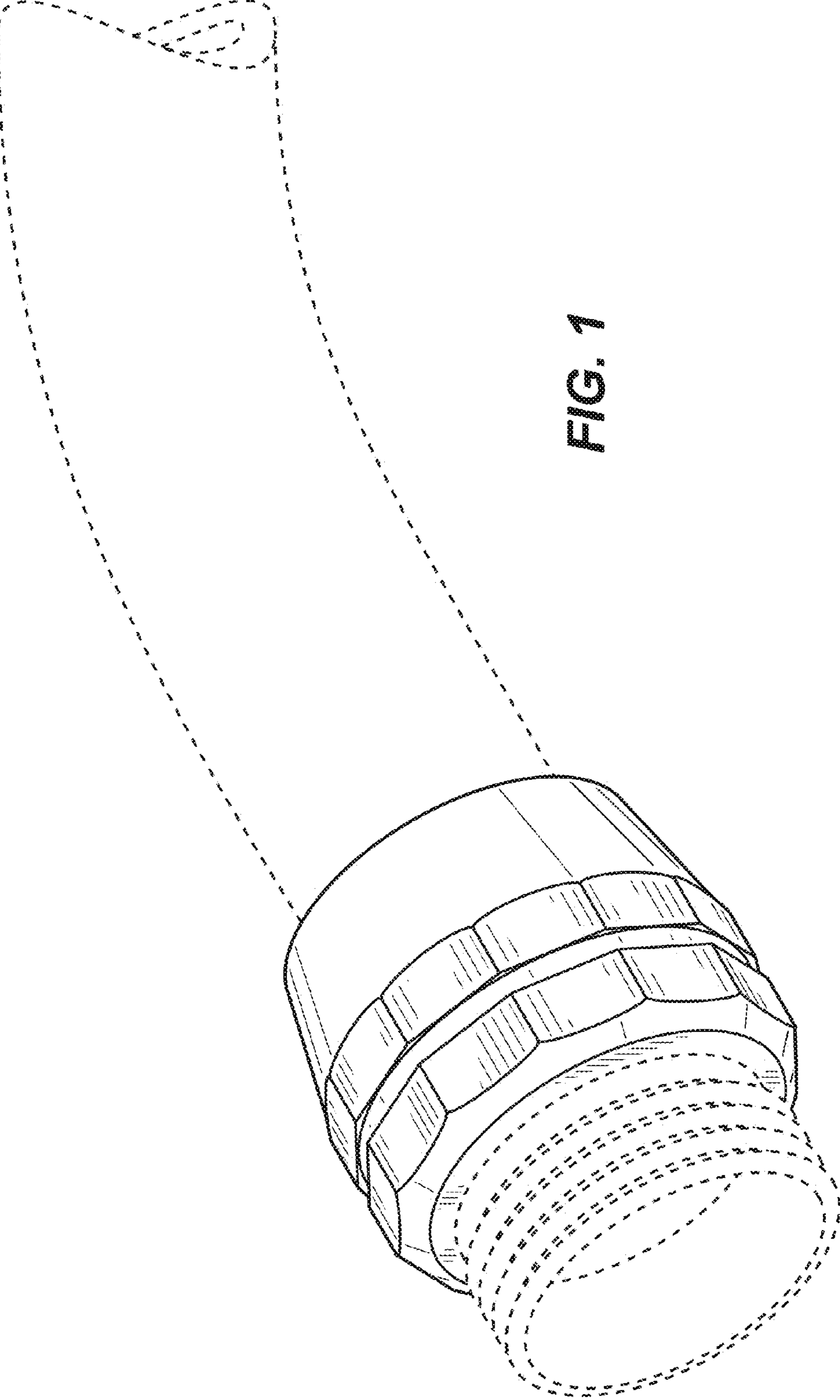
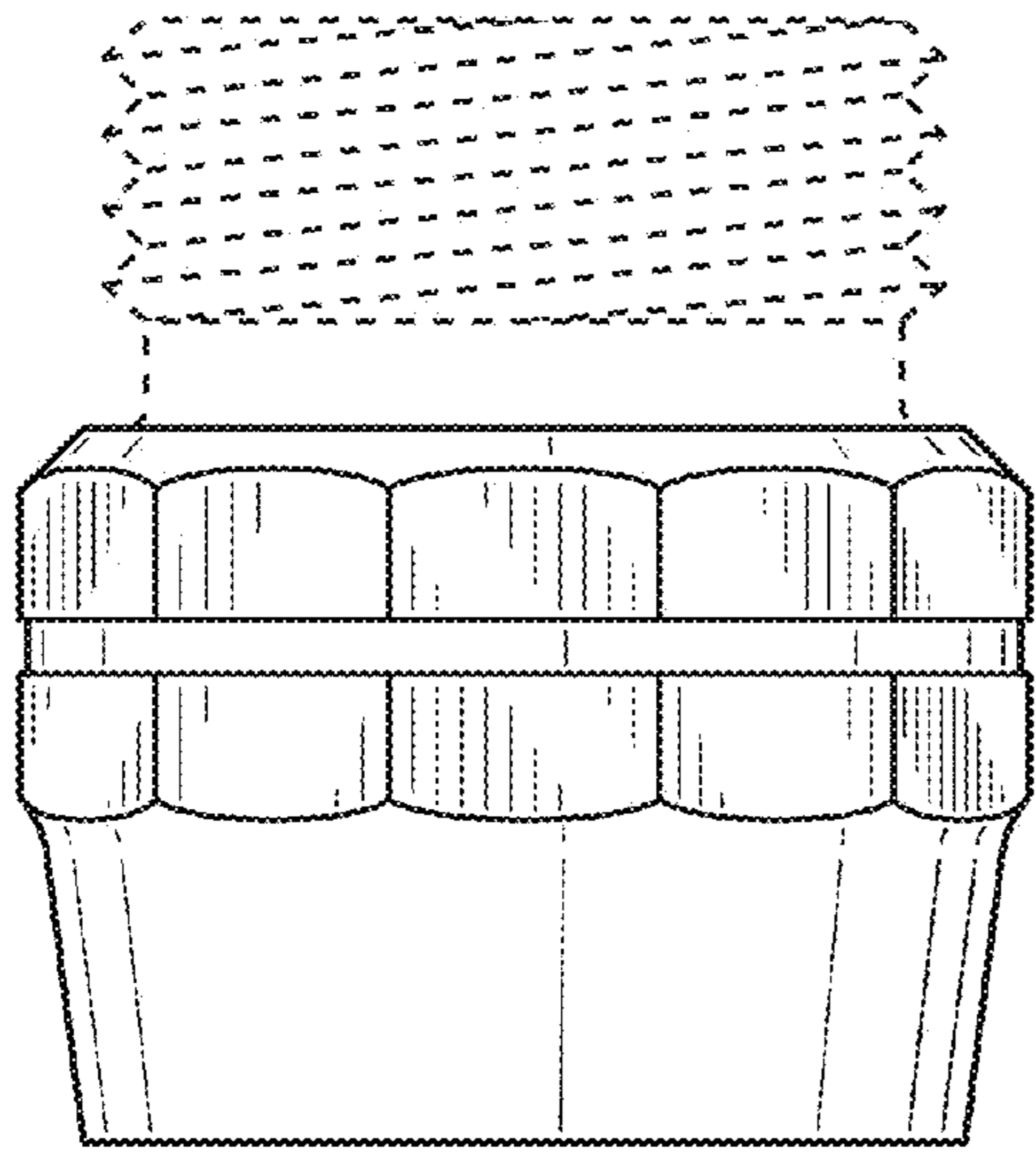
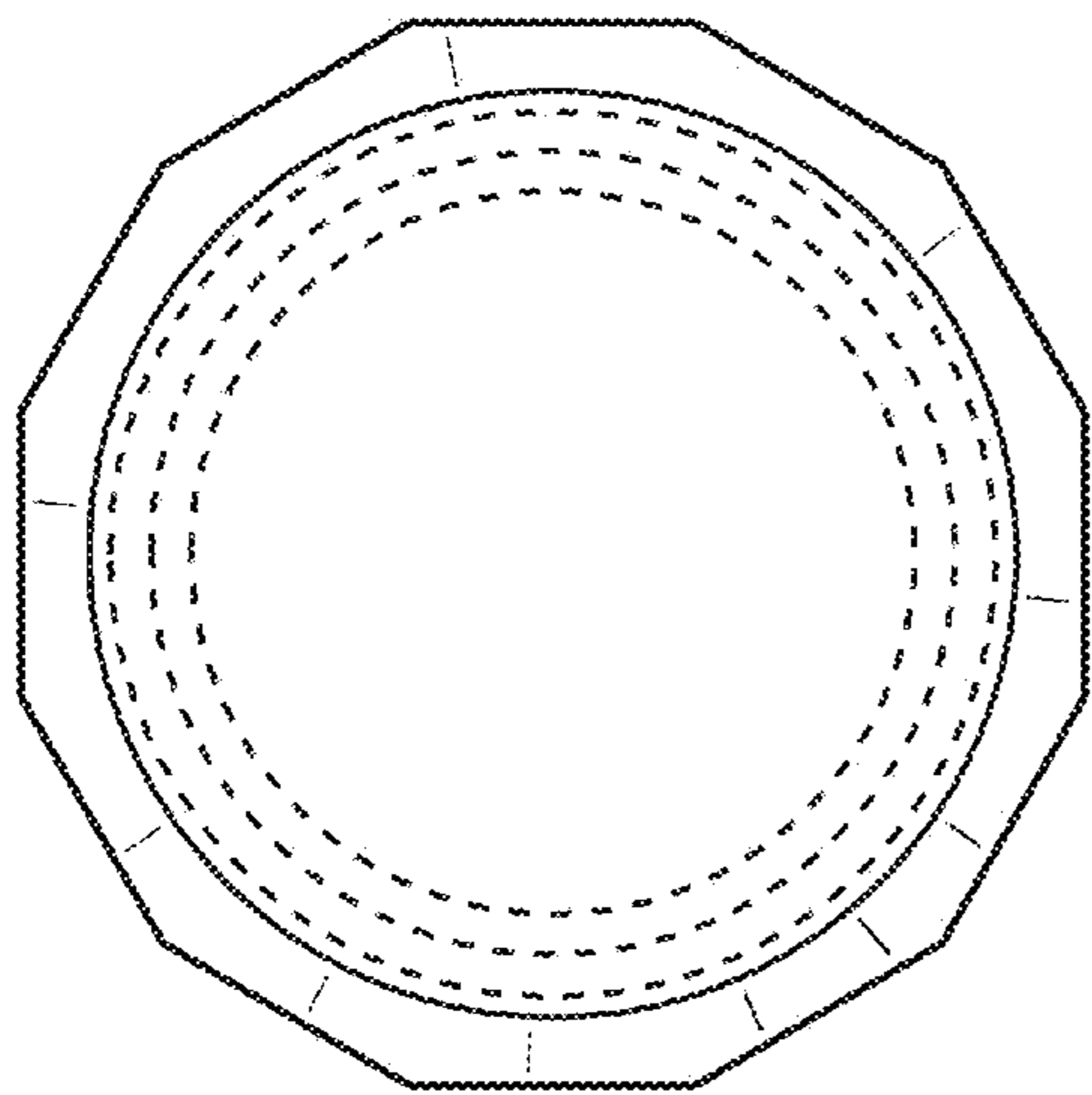


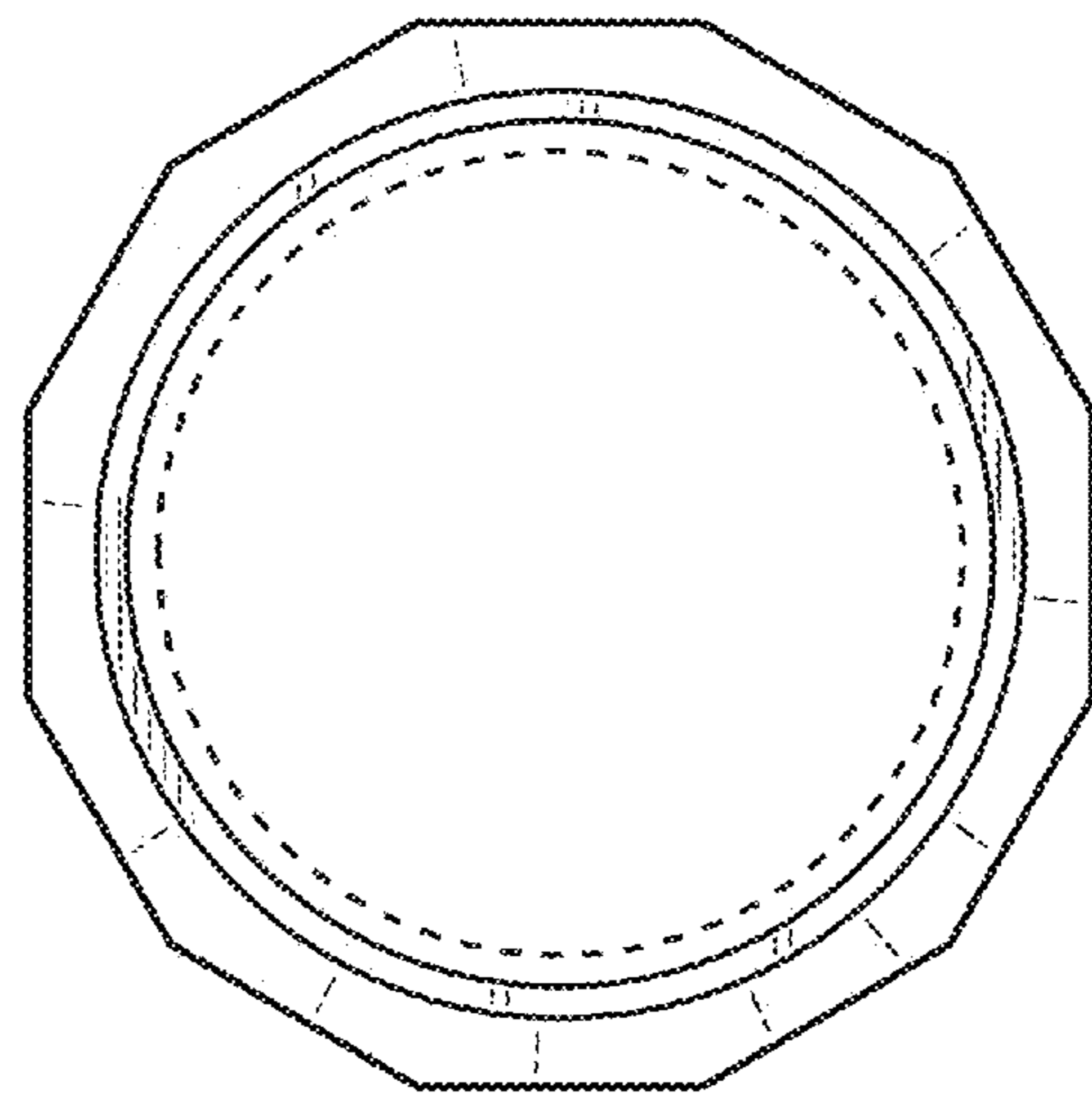
FIG. 1



**FIG. 2**



**FIG. 3**



**FIG. 4**