



US00D736358S

(12) **United States Design Patent**
Melo et al.

(10) **Patent No.:** **US D736,358 S**
(45) **Date of Patent:** **** Aug. 11, 2015**

- (54) **FEMALE HOSE COUPLINGS**
- (71) Applicants: **Michael Melo**, Pawtucket, RI (US);
Mark Buchan, Pawtucket, RI (US);
David Vaz, Pawtucket, RI (US)
- (72) Inventors: **Michael Melo**, Pawtucket, RI (US);
Mark Buchan, Pawtucket, RI (US);
David Vaz, Pawtucket, RI (US)
- (73) Assignee: **Teknor Apex Company**, Pawtucket, RI (US)
- (**) Term: **14 Years**
- (21) Appl. No.: **29/472,374**
- (22) Filed: **Nov. 12, 2013**
- (51) **LOC (10) Cl.** **23-01**
- (52) **U.S. Cl.**
USPC **D23/262**
- (58) **Field of Classification Search**
USPC D23/262, 259; D32/31; D13/199, 153,
D13/154, 133; D8/397; 81/121.1; 439/314,
439/578; 66/13
CPC .. D04B 35/06; H01R 13/625; H01R 2103/00;
B25B 13/065
See application file for complete search history.

D437,919 S * 2/2001 Chao D23/262
D441,436 S * 5/2001 Chao D23/262
D458,351 S * 6/2002 Chen D23/262

(Continued)

FOREIGN PATENT DOCUMENTS

CN 301952448 * 6/2012

OTHER PUBLICATIONS

A Thousand Vacuum Efficient Generators Don't Even Equate One Vuototecnica Hose, Announced Sep. 21, 2012, [Site Visited May 13, 2015] <http://www.vacuumdaily.net/2012/09/a-thousand-efficient-vacuum-generators-dont-even-equate-one-vuototecnica-hose/>.*

(Continued)

Primary Examiner — John Windmuller

Assistant Examiner — Luqman McNeil

(74) *Attorney, Agent, or Firm* — Chace Ruttenberg & Freedman LLP

(57) **CLAIM**

The ornamental design for a female hose coupling, as shown and described.

DESCRIPTION

FIG. 1 is a right side front perspective view of a female hose coupling;

FIG. 2 is a front elevation view of a female hose coupling, the back elevation view being identical to that shown;

FIG. 3 is a right side elevation view of a female hose coupling; the left side elevation view being identical to that shown;

FIG. 4 is a top plan view of a female hose coupling; and, FIG. 5 is a bottom view of a female hose coupling.

The female hose coupling design as illustrated includes a ten-faceted surface in which each of the two opposed larger facets (see FIGS. 3 and 4) is approximately twice the width of any one of the other smaller eight facets.

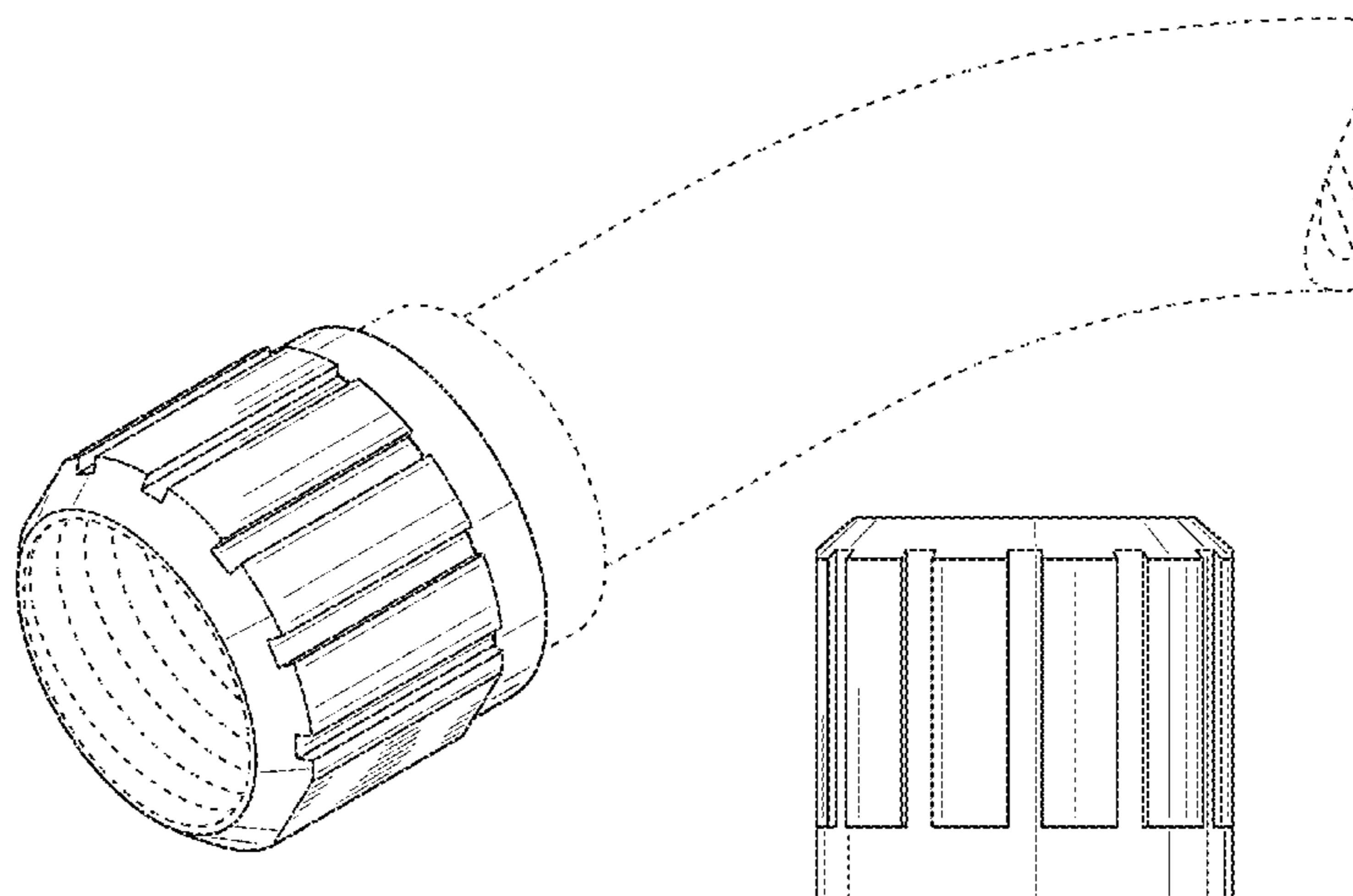
The broken line showing is included for the purpose of illustrating environment and forms no part of the claimed design.

1 Claim, 2 Drawing Sheets

(56) **References Cited**

U.S. PATENT DOCUMENTS

D42,947 S * 8/1912 Nungesser D13/199
D111,981 S * 11/1938 Koger D13/153
D178,554 S * 8/1956 Stone D13/199
D195,540 S * 6/1963 Knight D23/262
D254,802 S * 4/1980 Hayes D23/262
D263,992 S * 4/1982 Ebert D23/262
D267,506 S * 1/1983 Evans D23/262
D296,579 S * 7/1988 Hattori D23/262
D336,510 S * 6/1993 Sawtelle D23/262
5,662,488 A * 9/1997 Alden 439/314
D412,885 S * 8/1999 Toly D13/154



(56)

References Cited

U.S. PATENT DOCUMENTS

D458,352 S * 6/2002 Chen D23/262
 D458,904 S * 6/2002 Montena D13/154
 D460,740 S * 7/2002 Montena D13/154
 D460,947 S * 7/2002 Montena D13/154
 D475,768 S 6/2003 Walker
 D475,769 S 6/2003 Walker
 D479,585 S * 9/2003 Mulligan et al. D23/262
 D513,406 S * 1/2006 Rodrigues et al. D13/133
 7,063,565 B2 * 6/2006 Ward 439/578
 D532,947 S * 11/2006 Muscarella D32/31
 D557,386 S * 12/2007 Darce D23/269
 D575,377 S 8/2008 Roman
 D583,026 S * 12/2008 Dirneder D23/262
 D586,434 S * 2/2009 Brockington et al. D23/259
 D600,546 S * 9/2009 Scilingo et al. D8/397
 D603,693 S * 11/2009 Bentrim D8/397
 D613,827 S 4/2010 Damaske et al.
 D632,655 S * 2/2011 Heyman D13/153
 7,946,199 B2 * 5/2011 Bradley 81/121.1
 D648,006 S * 11/2011 Morishita D23/259
 D650,050 S * 12/2011 Berghuijs D23/262
 8,172,612 B2 * 5/2012 Bence et al. 439/578
 D661,787 S * 6/2012 Johnson D23/262

D677,766 S 3/2013 Chen
 D679,784 S 4/2013 Meyer
 2012/0210752 A1 * 8/2012 Ragner 66/13

OTHER PUBLICATIONS

YuYao Aokal Garden Tools Co., Ltd: 1/2"—3/4"—1" Female Tap Adapter Manufacturer & Supplier., Announced Nov. 17, 2011, [Site Visited May 13, 2015] <http://www.cnaokal.com/products/1-2-3-4-1-female-tap-adaptor-900568.html>.
 Hozeelock Hose Tap Fittings & Connectors. Phillip Morris & Son, Announced Jun. 10, 2011, [Site Visited May 13, 2015]<http://www.philipmorrisdirect.co.uk/gardening/watering/hozeelock-fittings/dept/>.
 PDF of Gilmour Male Hose Coupling product from Internet advertisement.
 PDF of Melnor Female Hose Coupling product from internet advertisement.
 PDF of Melnor 5MQC Female Hose Coupling from Internet advertisement.
 PDF of Melnor Hose Coupling from internet advertisement.
 PDF of Melnor Hose Coupling from internet advertisement.
 PDF of NorthStar Garden Hose Coupling from internet advertisement.

* cited by examiner

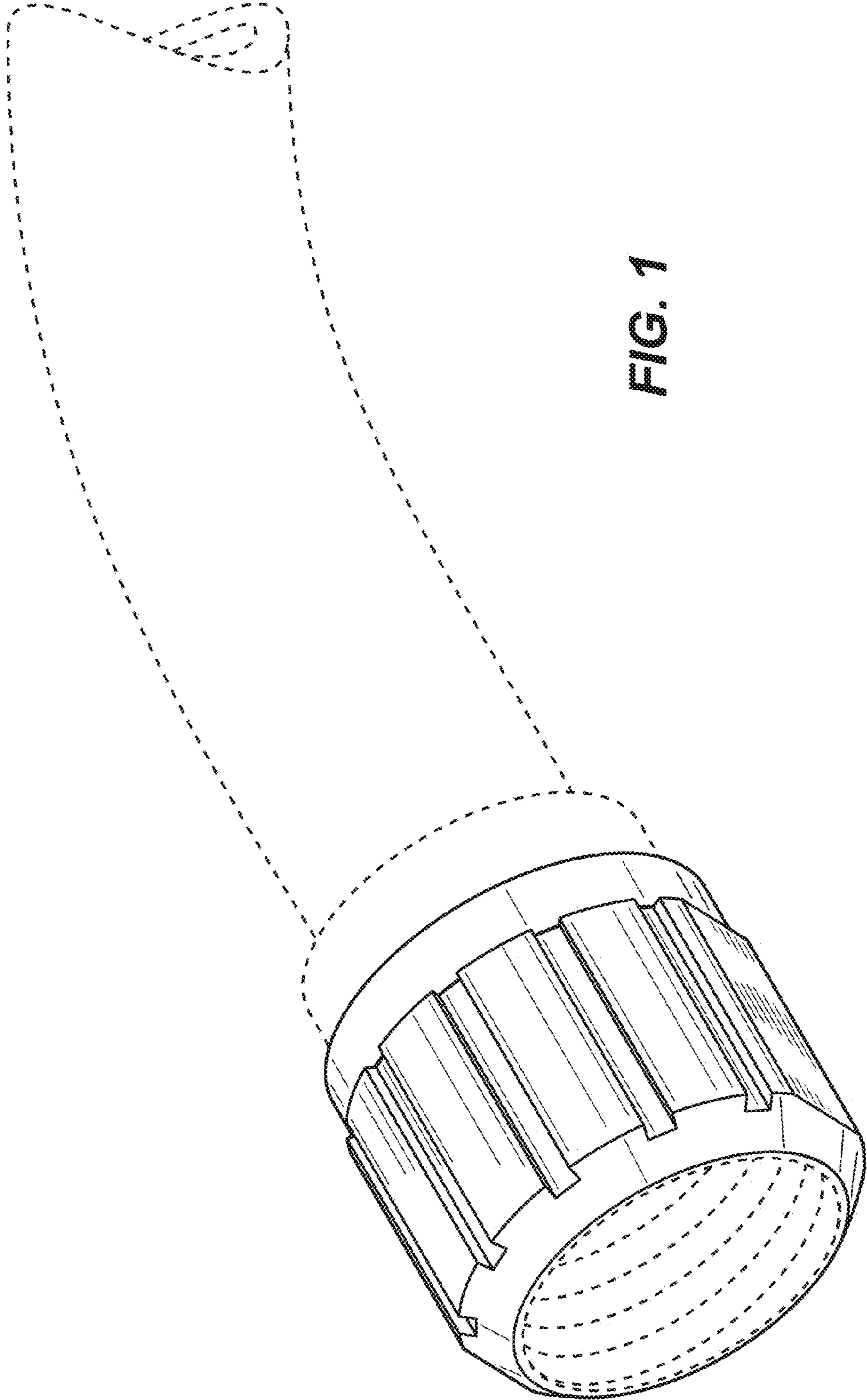


FIG. 1

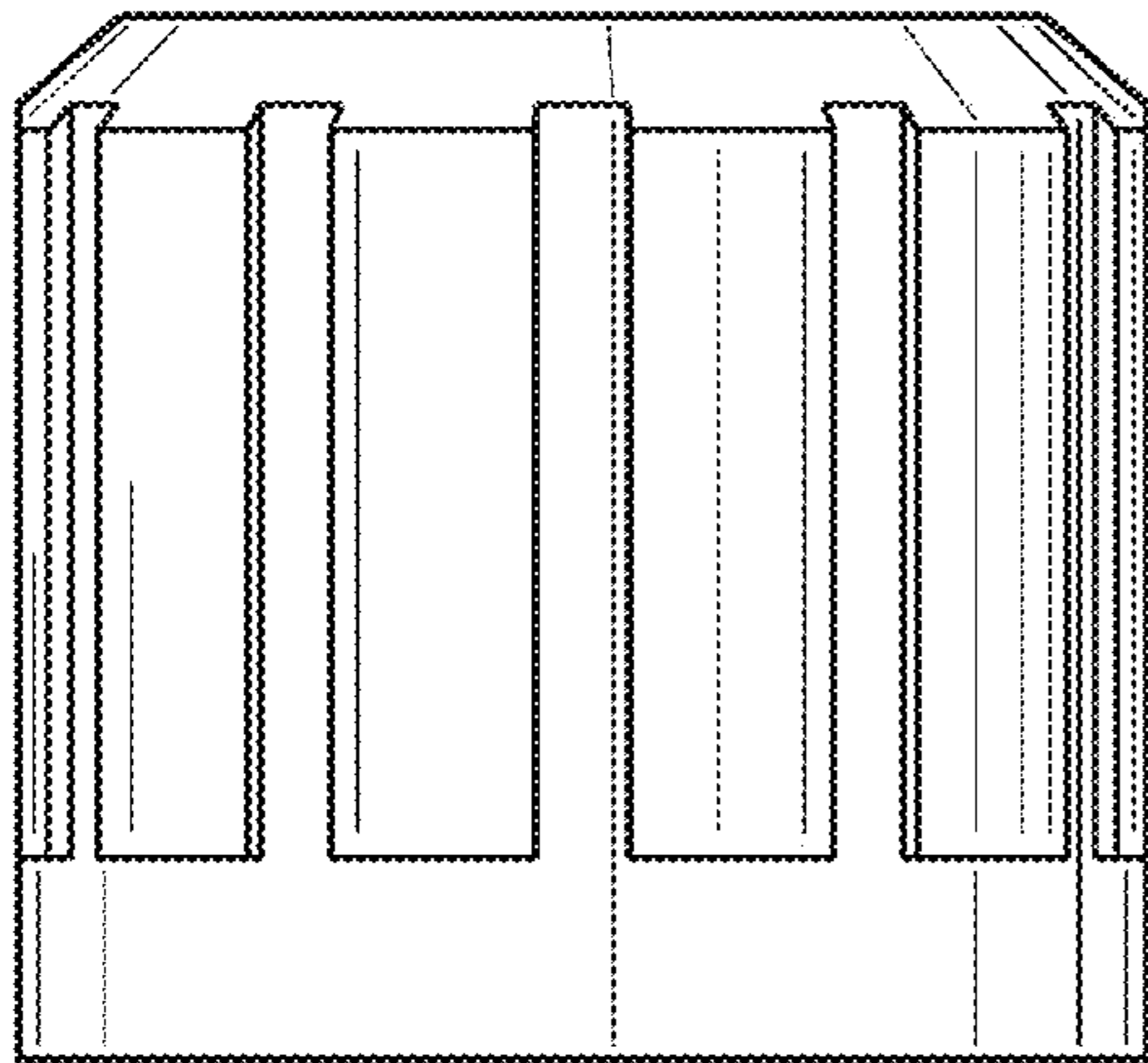


FIG. 2

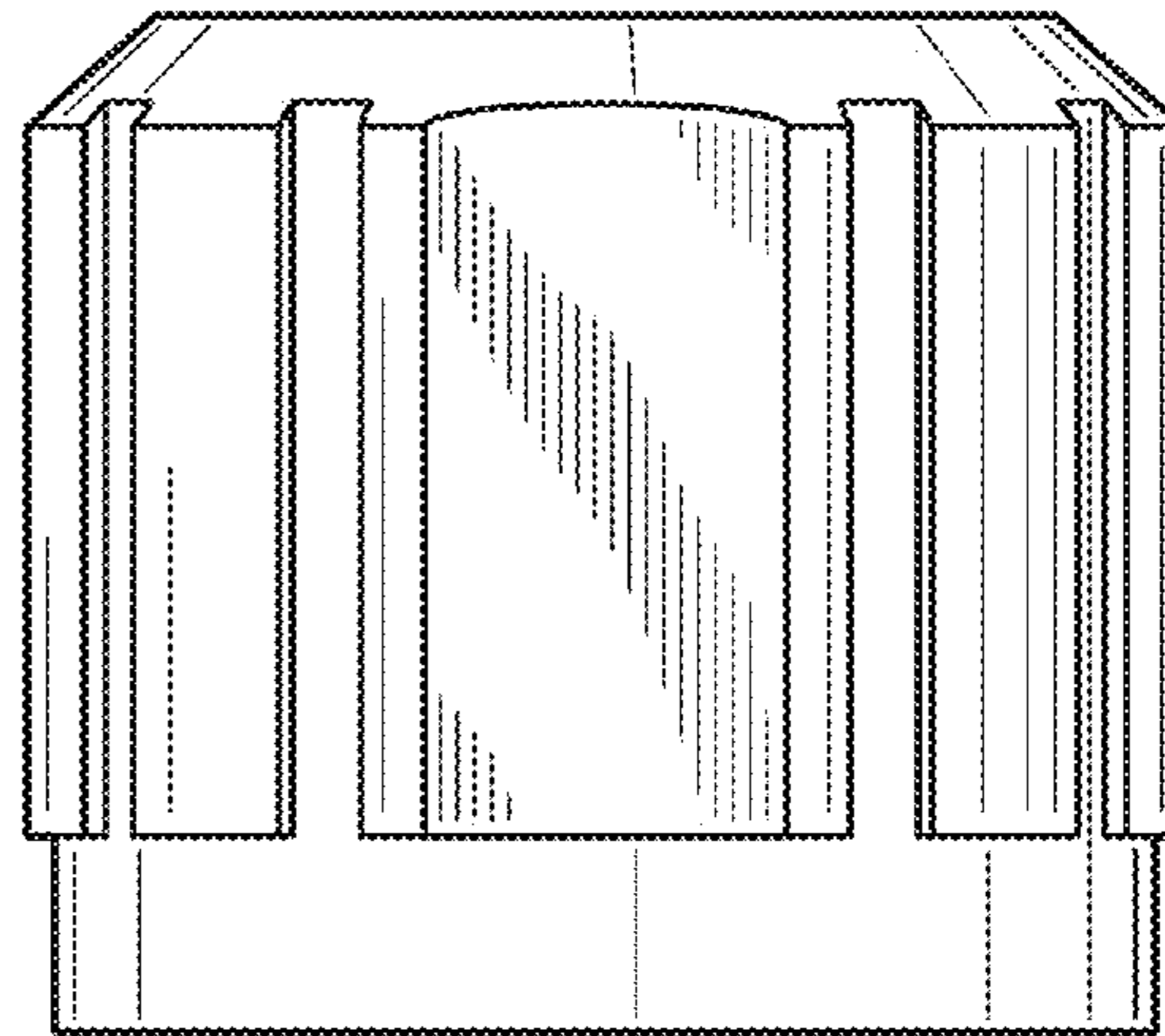


FIG. 3

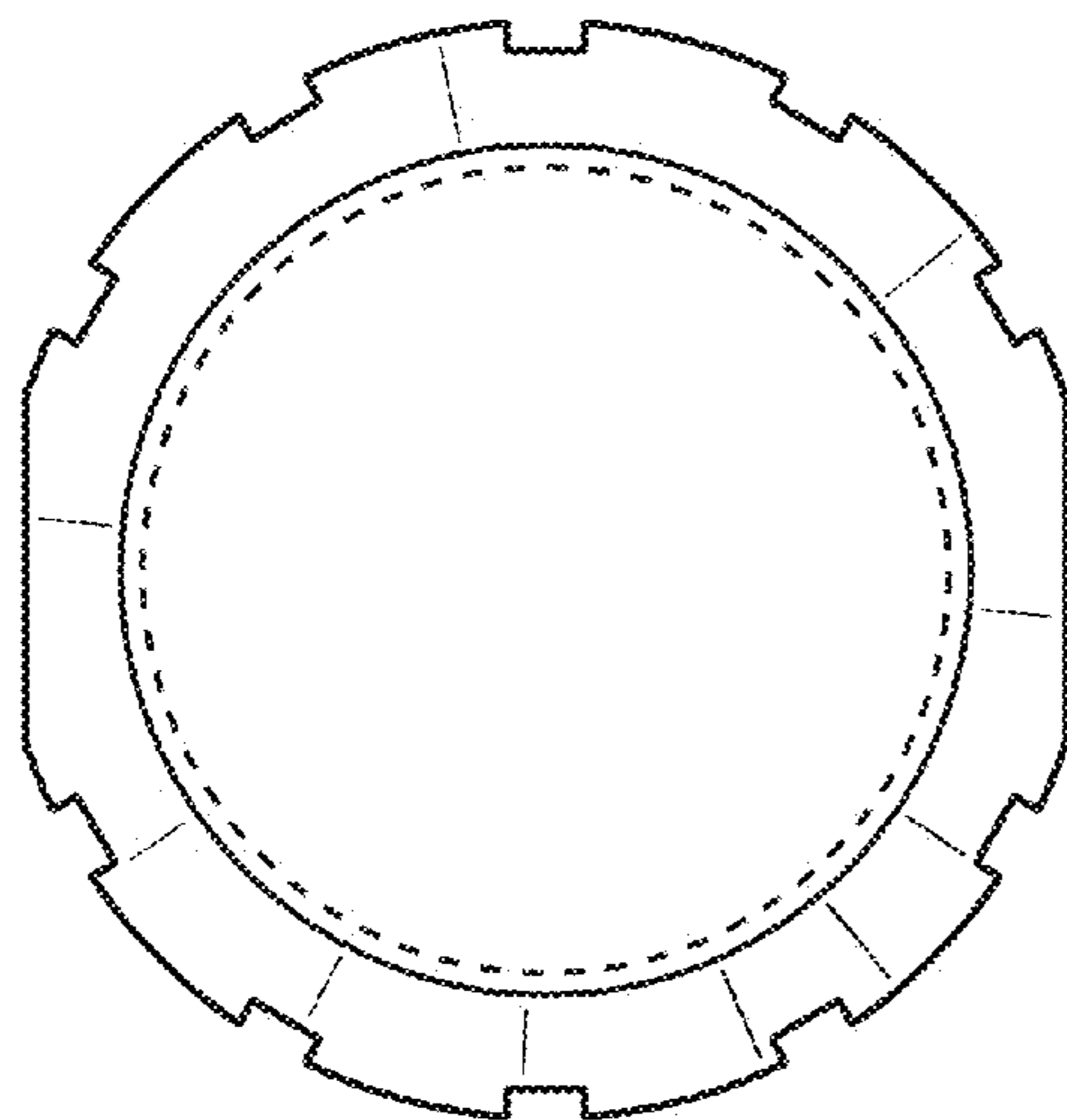


FIG. 4

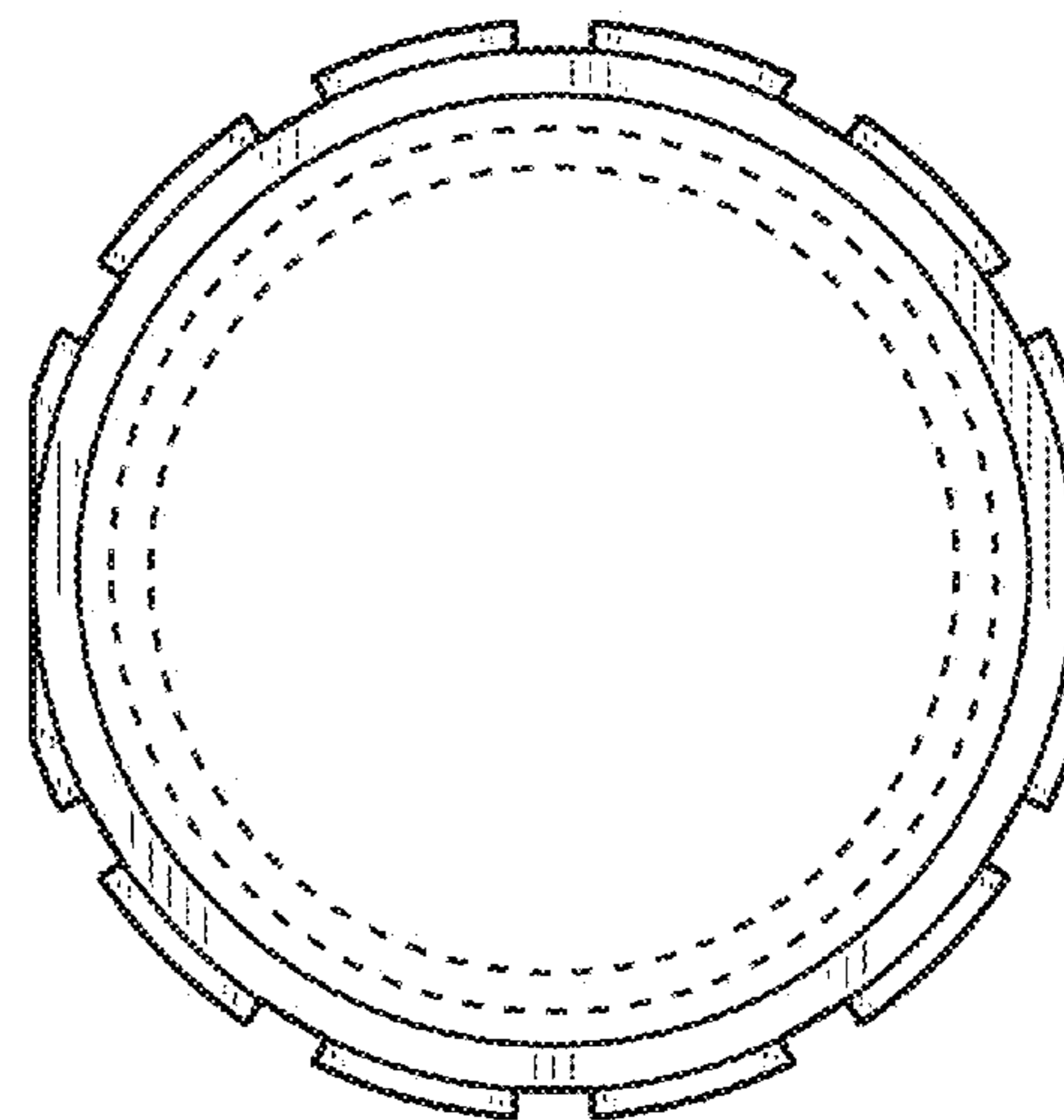


FIG. 5