



US00D736357S

(12) **United States Design Patent**
Melo et al.

(10) **Patent No.:** **US D736,357 S**

(45) **Date of Patent:** **** Aug. 11, 2015**

(54) **FEMALE HOSE COUPLINGS**

(71) Applicants: **Michael Melo**, Pawtucket, RI (US);
Mark Buchan, Pawtucket, RI (US);
David Vaz, Pawtucket, RI (US)

(72) Inventors: **Michael Melo**, Pawtucket, RI (US);
Mark Buchan, Pawtucket, RI (US);
David Vaz, Pawtucket, RI (US)

(73) Assignee: **Teknor Apex Company**, Pawtucket, RI (US)

(**) Term: **14 Years**

(21) Appl. No.: **29/472,369**

(22) Filed: **Nov. 12, 2013**

(51) **LOC (10) Cl.** **23-01**

(52) **U.S. Cl.**
USPC **D23/262**

(58) **Field of Classification Search**
USPC D23/262, 393, 259; D13/199, 154, 153,
D13/133; D32/31; D8/397; 439/314, 578;
81/121.1; 66/13

CPC H01R 13/625; H01R 2103/00; B25B
13/065; D04B 35/06

See application file for complete search history.

(56) **References Cited**

U.S. PATENT DOCUMENTS

| | | | | |
|---------------|--------|---------------|-------|---------|
| D42,947 S * | 8/1912 | Nungesser | | D13/199 |
| D195,540 S * | 6/1963 | Knight et al. | | D23/262 |
| D254,802 S * | 4/1980 | Hayes | | D23/262 |
| D263,992 S * | 4/1982 | Ebert | | D23/262 |
| D267,506 S * | 1/1983 | Evans | | D23/262 |
| D296,579 S * | 7/1988 | Hattori | | D23/262 |
| D336,510 S * | 6/1993 | Sawtelle | | D23/262 |
| D347,467 S * | 5/1994 | Medvick | | D23/262 |
| 5,662,488 A * | 9/1997 | Alden | | 439/314 |
| D412,885 S * | 8/1999 | Toly | | D13/154 |
| D437,919 S * | 2/2001 | Chao | | D23/262 |
| D441,436 S * | 5/2001 | Chao | | D23/262 |

| | | | | |
|--------------|--------|---------|-------|---------|
| D446,298 S * | 8/2001 | Thurman | | D23/393 |
| D458,352 S * | 6/2002 | Chen | | D23/262 |
| D458,904 S * | 6/2002 | Montena | | D13/154 |
| D460,740 S * | 7/2002 | Montena | | D13/154 |
| D460,947 S * | 7/2002 | Montena | | D13/154 |

(Continued)

FOREIGN PATENT DOCUMENTS

CN 301952448 * 6/2012

OTHER PUBLICATIONS

YuYao Aokal Garden Tools Co., Ltd 1/2"-3/4"-1" Female Tap Adaptor, Announced Nov. 17, 2011, [Site Visited May 11, 2015] <http://www.cnaokal.com/products/1-2-3-4-1-female-tap-adaptor-900568.html>.*

(Continued)

Primary Examiner — John Windmuller

Assistant Examiner — Luqman McNeil

(74) *Attorney, Agent, or Firm* — Chace Ruttenberg & Freedman, LLP

(57) **CLAIM**

The ornamental design for a female hose coupling, as shown and described.

DESCRIPTION

FIG. 1 is a right front perspective view of a female hose coupling;

FIG. 2 is a side elevation view of a female hose coupling, all sides being identical to that shown;

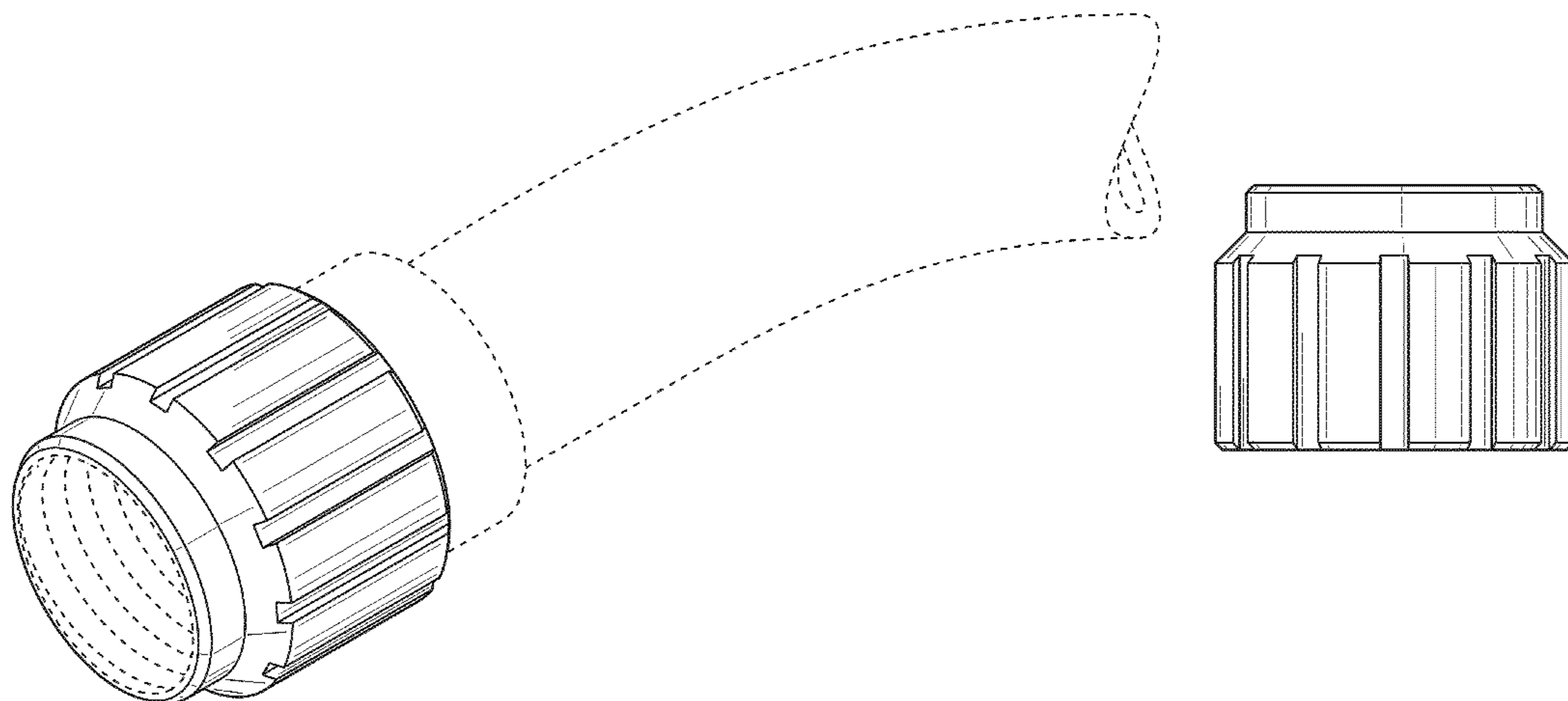
FIG. 3 is a top plan view of a female hose coupling; and,

FIG. 4 is a bottom plan view of a female hose coupling.

The broken line showing is included for the purpose of illustrating environment and forms no part of the claimed design.

The female hose coupling design includes a twelve faceted surface and a circumferentially disposed channel. The number of facets shown in the drawings is for illustrative purposes only. The number of facets may vary between eight and fourteen.

1 Claim, 2 Drawing Sheets



(56)

References Cited

U.S. PATENT DOCUMENTS

D475,768 S 6/2003 Walker
 D475,769 S 6/2003 Walker
 D479,585 S * 9/2003 Mulligan et al. D23/262
 D513,406 S * 1/2006 Rodrigues et al. D13/133
 7,063,565 B2 * 6/2006 Ward 439/578
 D532,947 S * 11/2006 Muscarella D32/31
 D575,377 S 8/2008 Roman
 D603,693 S * 11/2009 Bentrim D8/397
 D613,827 S 4/2010 Damaske et al.
 D616,966 S * 6/2010 Angell D23/262
 D632,655 S * 2/2011 Heyman D13/153
 7,946,199 B2 * 5/2011 Bradley 81/121.1
 D648,006 S * 11/2011 Morishita D23/259
 D650,050 S * 12/2011 Berghuijs D23/262
 D651,696 S * 1/2012 Giordano D23/262
 8,172,612 B2 * 5/2012 Bence et al. 439/578
 D661,787 S * 6/2012 Johnson D23/262

D677,766 S 3/2013 Chen
 D679,784 S 4/2013 Meyer
 2012/0210752 A1 * 8/2012 Ragner 66/13

OTHER PUBLICATIONS

Hozelock Hose Tap Fittings & Connectors. Phillip Morris & Son, Announced Jun. 10, 2011, [Site Visited May 12, 2015] <http://www.philipmorrisdirect.co.uk/gardening/watering/hozelock-fittings/dept/>.
 * PDF of Gilmour Male Hose Coupling product from Internet advertisement.
 PDF of Melnor Female Hose Coupling product from internet advertisement.
 PDF of Melnor 5MQC Female Hose Coupling from Internet advertisement.
 PDF of Melnor Hose Coupling from internet advertisement.
 PDF of Melnor Hose Coupling from internet advertisement.
 PDF of NorthStar Garden Hose Coupling from internet advertisement.

* cited by examiner

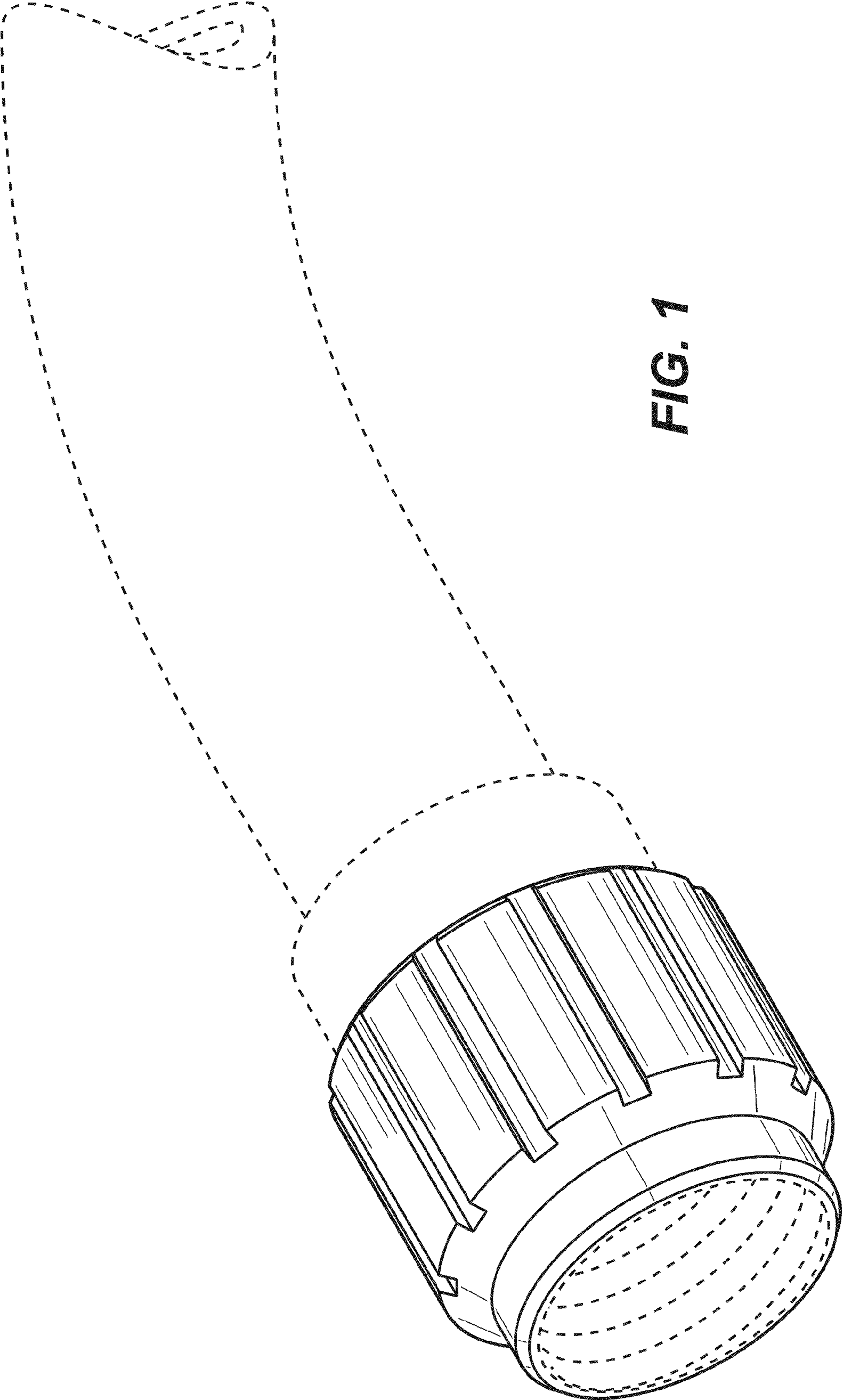


FIG. 1

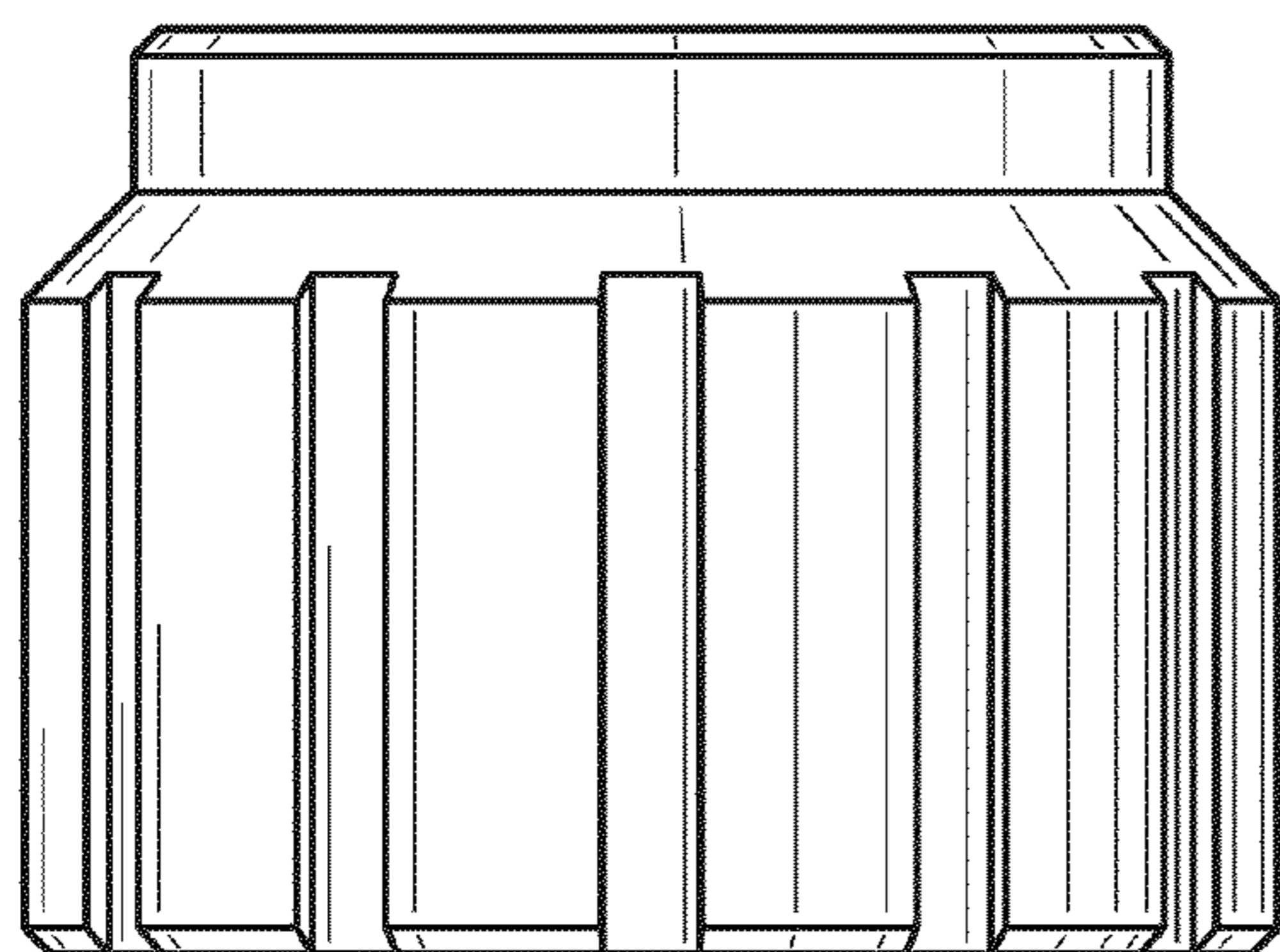


FIG. 2

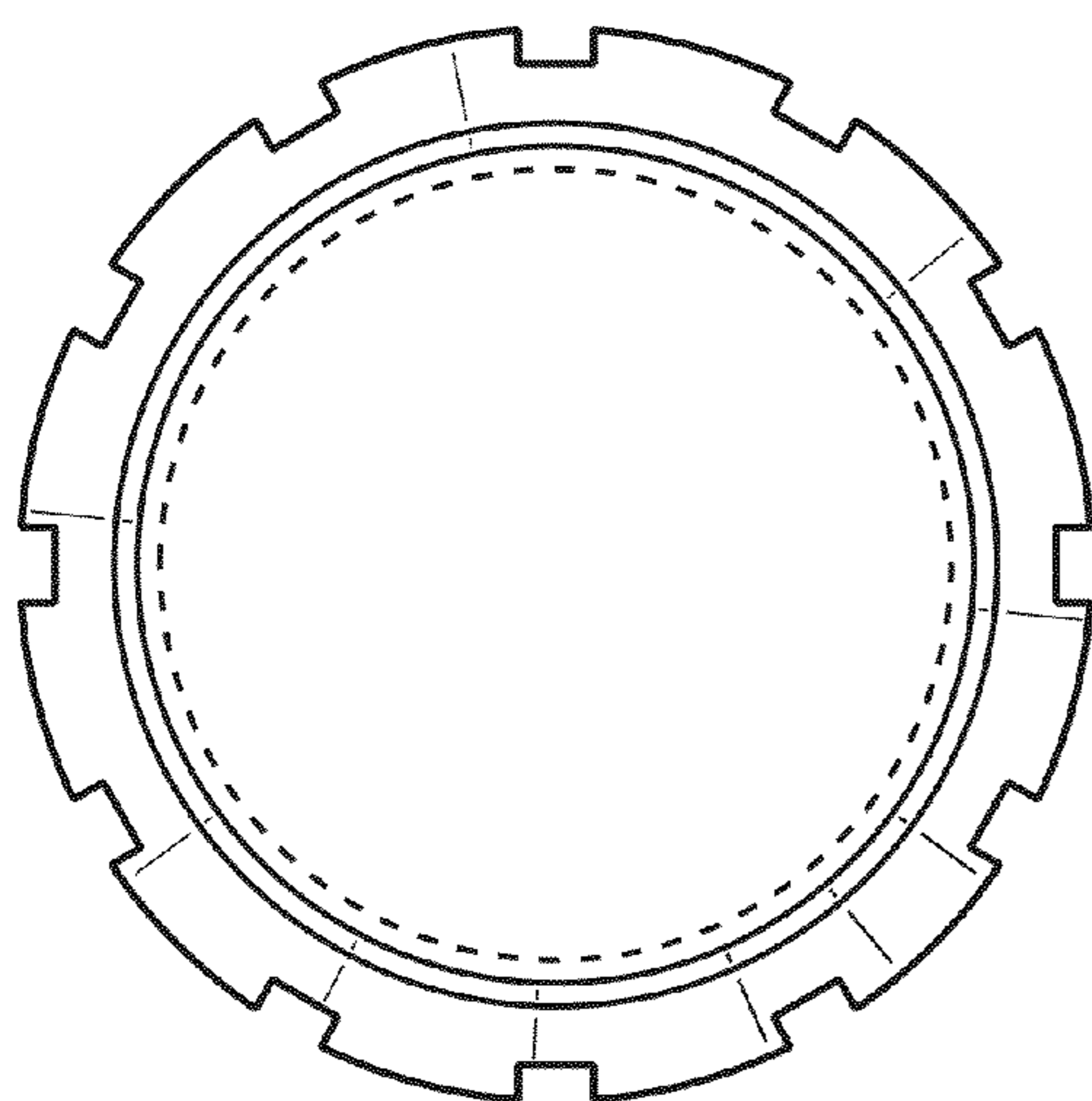


FIG. 3

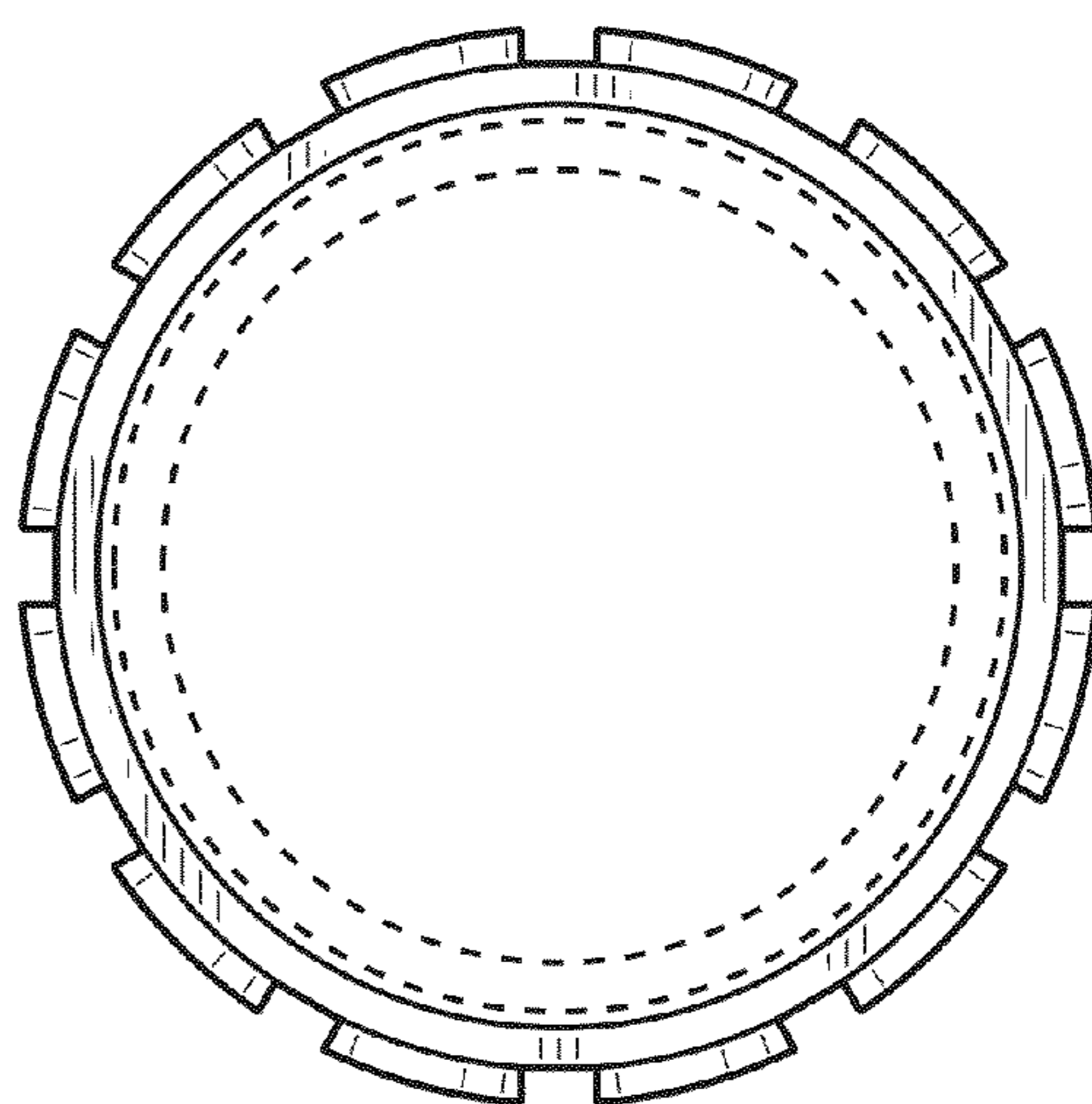


FIG. 4