



US00D736356S

(12) **United States Design Patent**
Haney et al.

(10) **Patent No.:** **US D736,356 S**

(45) **Date of Patent:** **** Aug. 11, 2015**

(54) **PIPE COUPLING SEGMENT**

(71) Applicant: **Victaulic Company**, Easton, PA (US)

(72) Inventors: **Craig Haney**, Nazareth, PA (US);
Loretta Marsicano, Palmer, PA (US);
Mark J. Sewell, Bethlehem, PA (US)

(73) Assignee: **Victaulic Company**, Easton, PA (US)

(**) Term: **14 Years**

(21) Appl. No.: **29/459,523**

(22) Filed: **Jul. 1, 2013**

(51) **LOC (10) Cl.** **23-01**

(52) **U.S. Cl.**
USPC **D23/262**

(58) **Field of Classification Search**
USPC D23/223, 226, 233, 259-269;
285/86-93, 179-182
CPC F16L 2201/20; F16L 2201/60; F16L
2201/10; F16L 37/133; F16L 37/0985; F16L
27/0845; F16L 43/008; B29C 66/5229
See application file for complete search history.

(56) **References Cited**

U.S. PATENT DOCUMENTS

2,910,309	A *	10/1959	Snyder et al.	285/41
4,408,788	A *	10/1983	Beukema	285/419
D287,532	S	12/1986	Jones et al.	
D298,802	S *	12/1988	Tekirian	D8/396
D558,307	S *	12/2007	Gibb et al.	D23/265
D570,458	S *	6/2008	Gibb et al.	D23/262
D583,444	S *	12/2008	Nagle et al.	D23/262
D583,914	S *	12/2008	Pierce et al.	D23/262
D583,916	S *	12/2008	Madara et al.	D23/265
D587,348	S *	2/2009	Madara et al.	D23/265
D590,924	S *	4/2009	Nagle et al.	D23/262
D590,925	S *	4/2009	Nagle et al.	D23/262
7,540,540	B2 *	6/2009	Kwon et al.	285/411
D595,813	S *	7/2009	Pierce et al.	D23/262
D600,784	S *	9/2009	Henry et al.	D23/262

D616,967	S *	6/2010	Madara et al.	D23/262
D629,075	S *	12/2010	Madara	D23/262
D629,084	S *	12/2010	Dole et al.	D23/262
D665,057	S *	8/2012	Madara et al.	D23/262

(Continued)

FOREIGN PATENT DOCUMENTS

TW	D129032	6/2009
TW	D139017	2/2011

OTHER PUBLICATIONS

Author Unknown; Search Report from corresponding Taiwan patent application No. 102308402, 1 page; Jun. 25, 2014.

Primary Examiner — Karen E Kearney

Assistant Examiner — John Reickel

(74) *Attorney, Agent, or Firm* — Ballard Spahr LLP

(57) **CLAIM**

We claim the ornamental design for a pipe coupling segment, as shown and described.

DESCRIPTION

FIG. 1 is an isometric view of a design of a pipe coupling segment according to our invention;

FIG. 2 is a front view of the pipe coupling segment shown in FIG. 1;

FIG. 3 is a back view of the pipe coupling segment shown in FIG. 1;

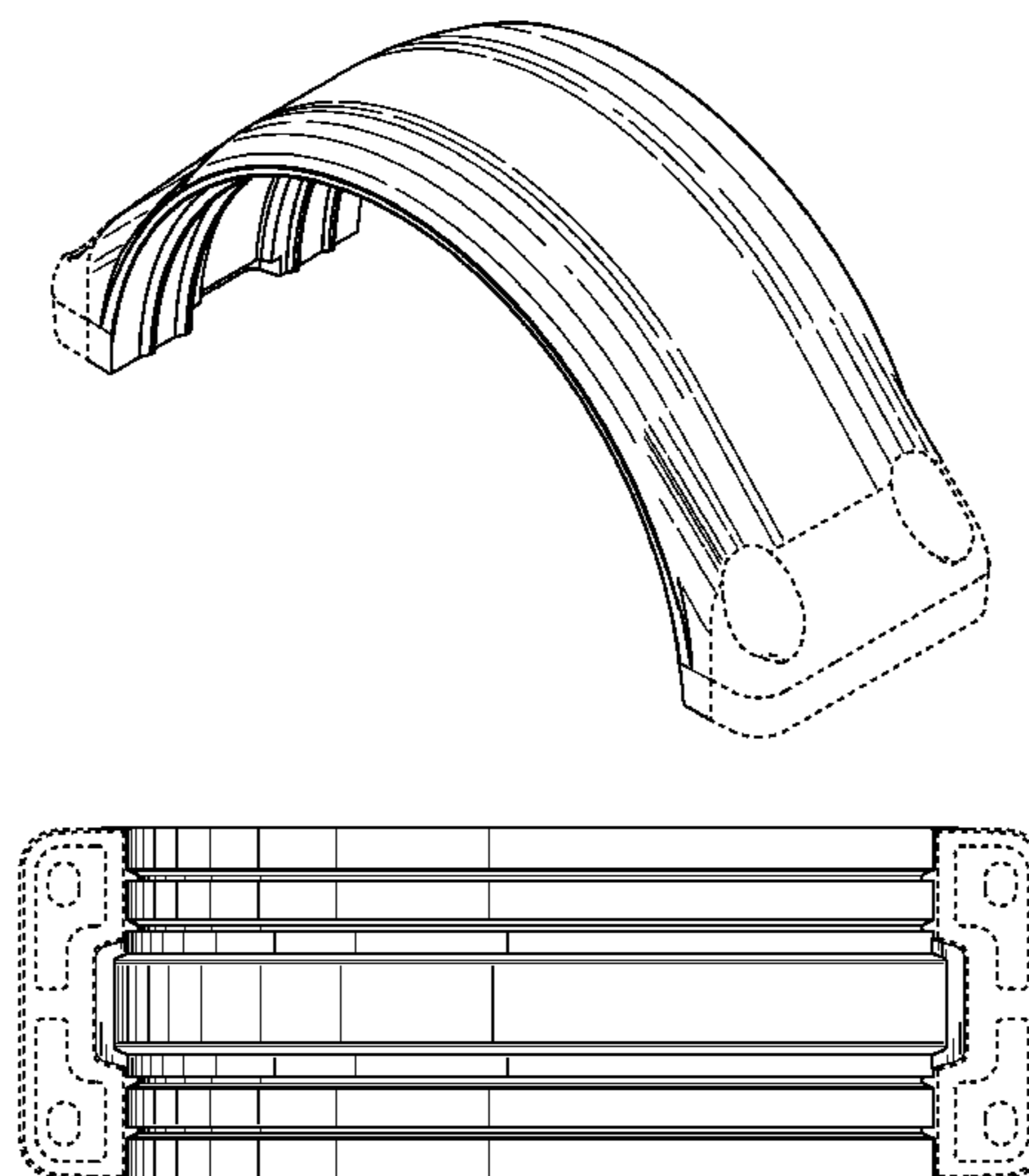
FIG. 4 is a left side view of the pipe coupling segment shown in FIG. 1, the right side view being identical;

FIG. 5 is a top view of the pipe coupling segment shown in FIG. 1; and,

FIG. 6 is a bottom view of the pipe coupling segment shown in FIG. 1.

The broken line showing of the portions of the pipe coupling segment is included for the purpose of illustrating portions of the article and forms no part of the claimed design.

1 Claim, 3 Drawing Sheets



(56)

References Cited

U.S. PATENT DOCUMENTS

D674,062 S * 1/2013 Madara et al. D23/262
D685,884 S * 7/2013 Shah et al. D23/262
D685,885 S * 7/2013 Shah et al. D23/262

D685,886 S * 7/2013 Shah et al. D23/262
D685,887 S * 7/2013 Madara et al. D23/262
D685,888 S * 7/2013 Madara et al. D23/262
D685,889 S * 7/2013 Madara et al. D23/262

* cited by examiner

FIG. 1

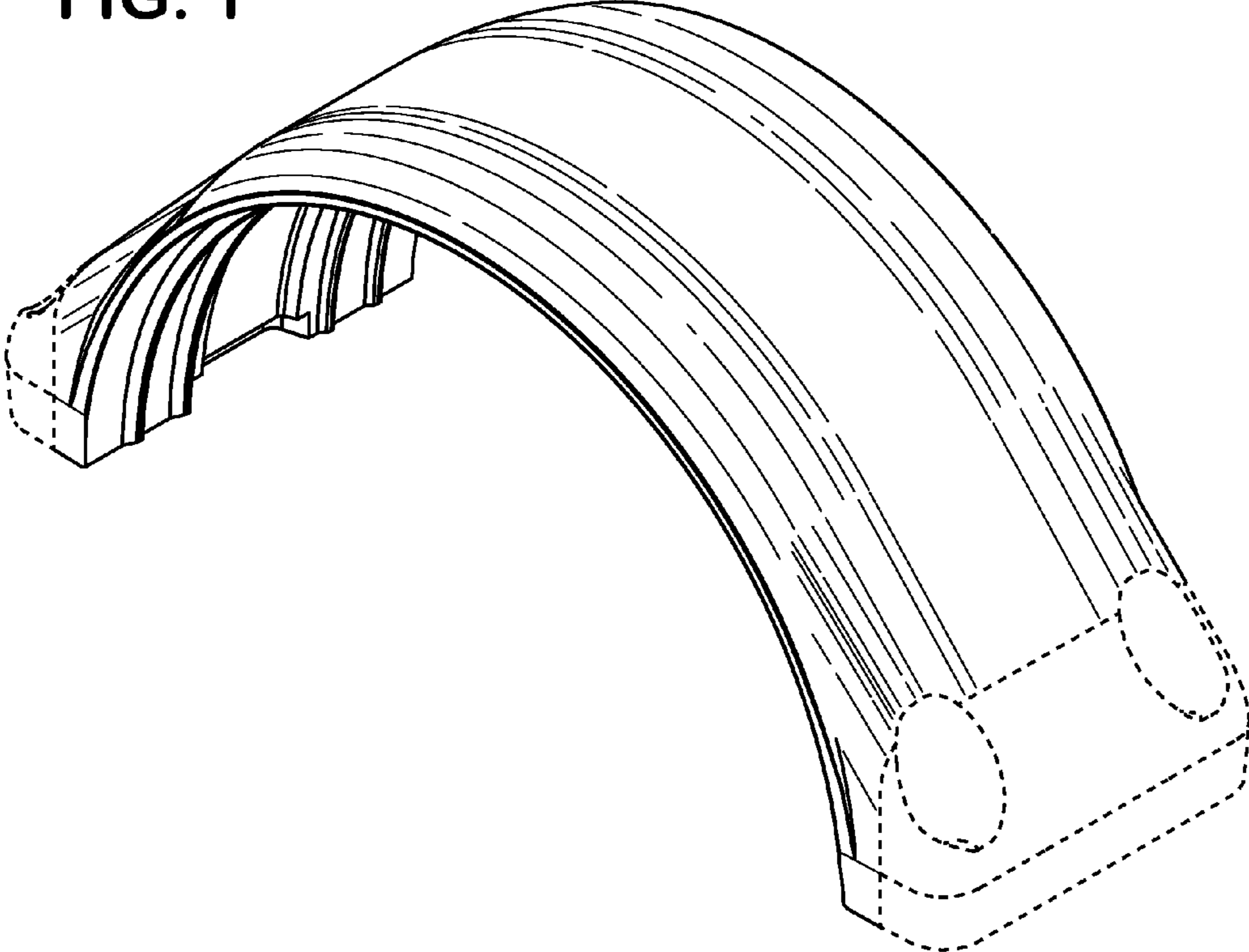


FIG. 2

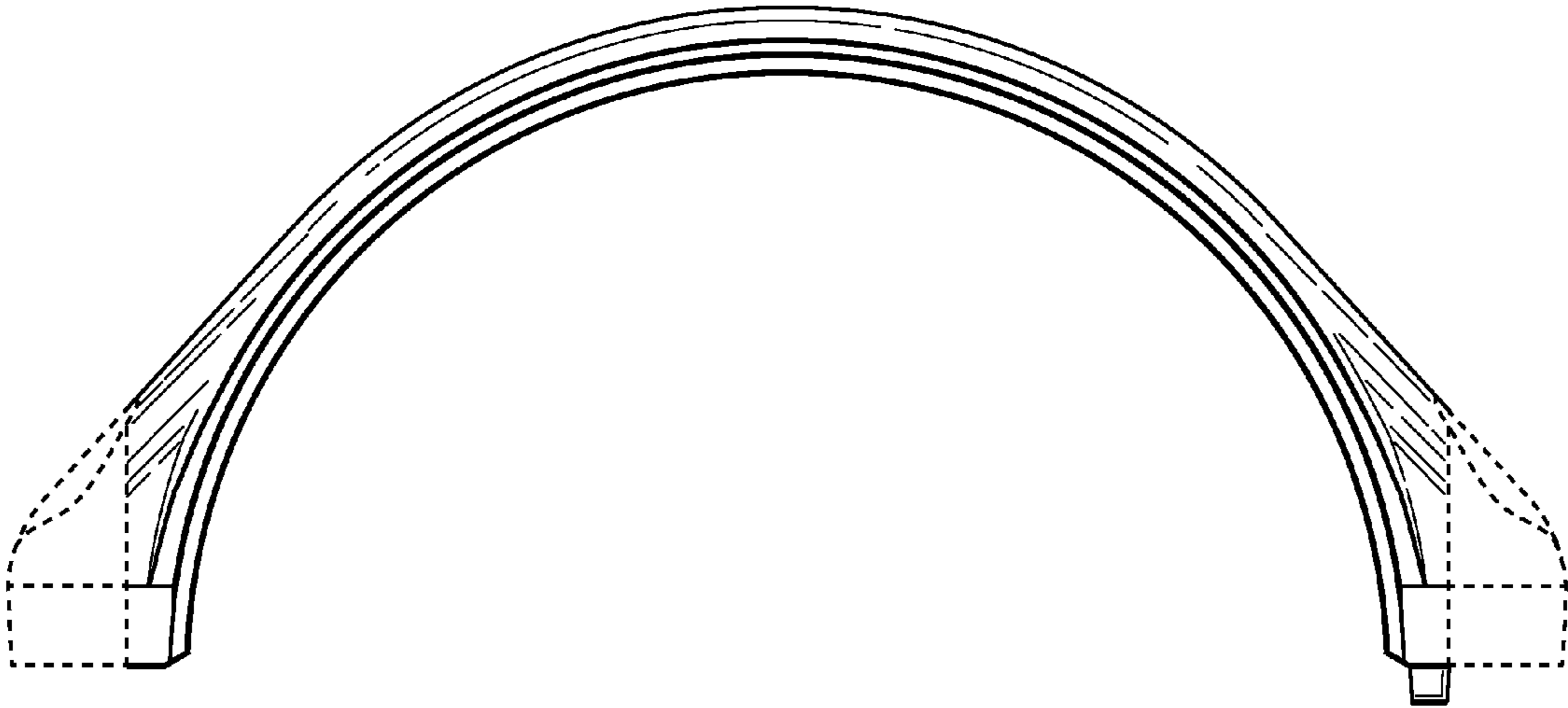


FIG. 3

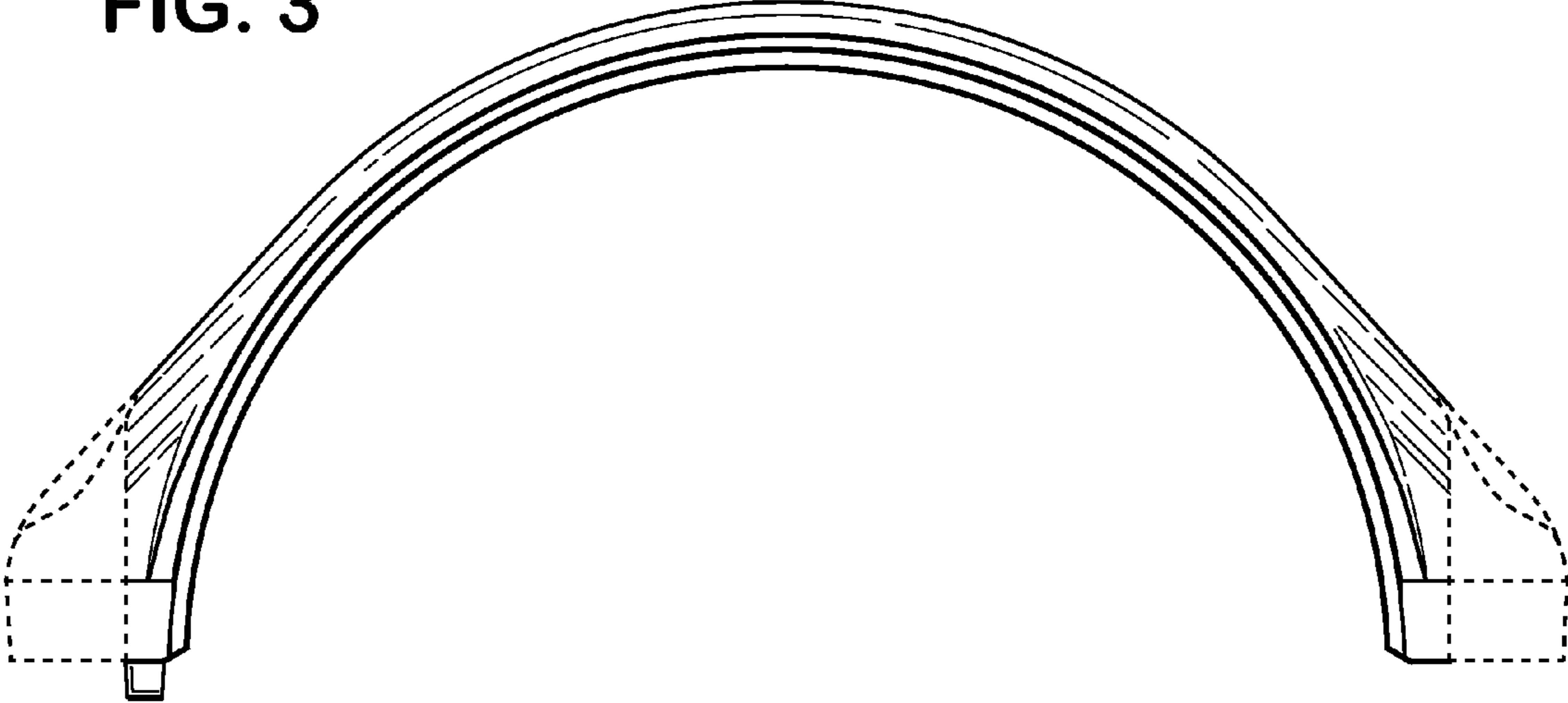


FIG. 4

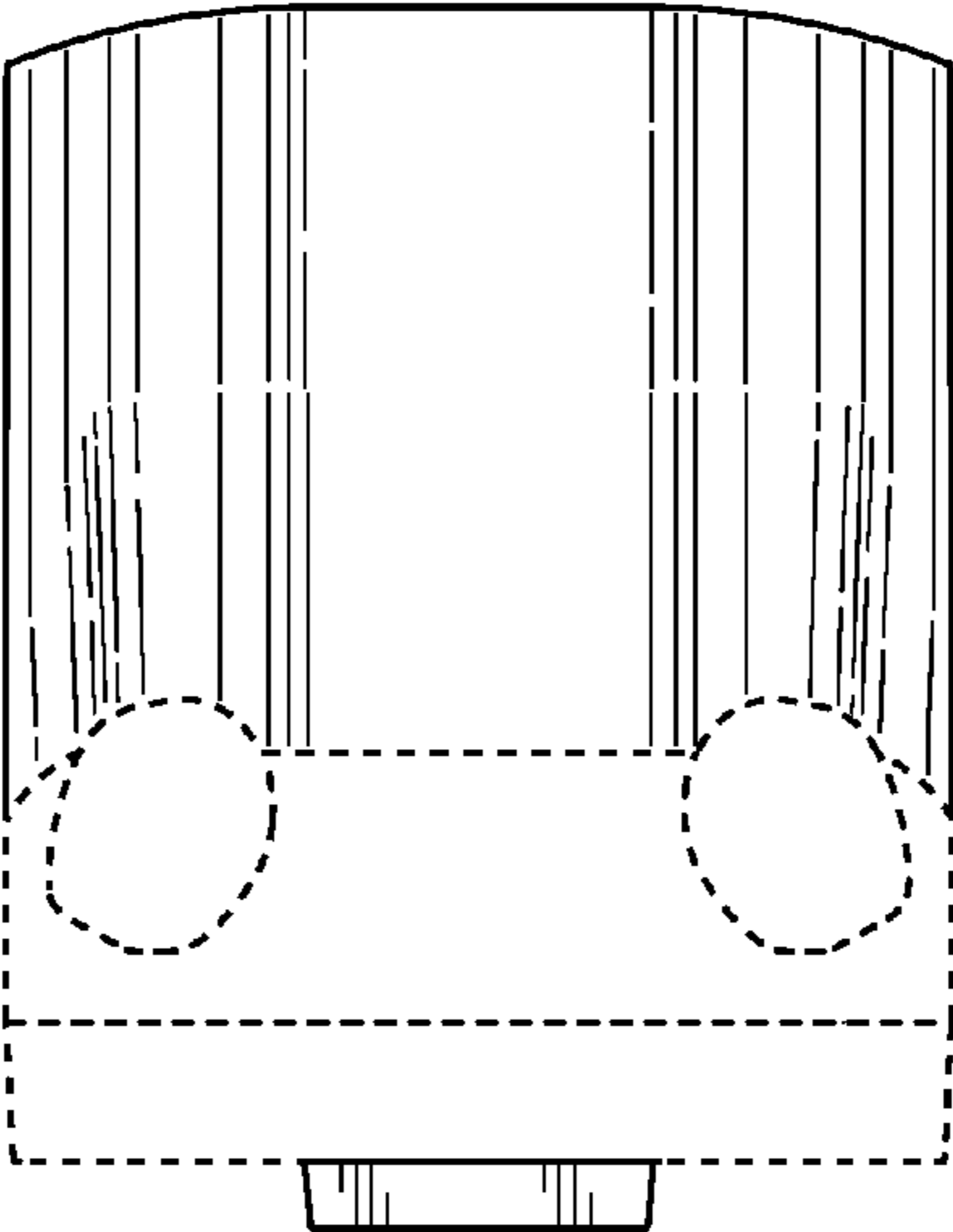


FIG. 5

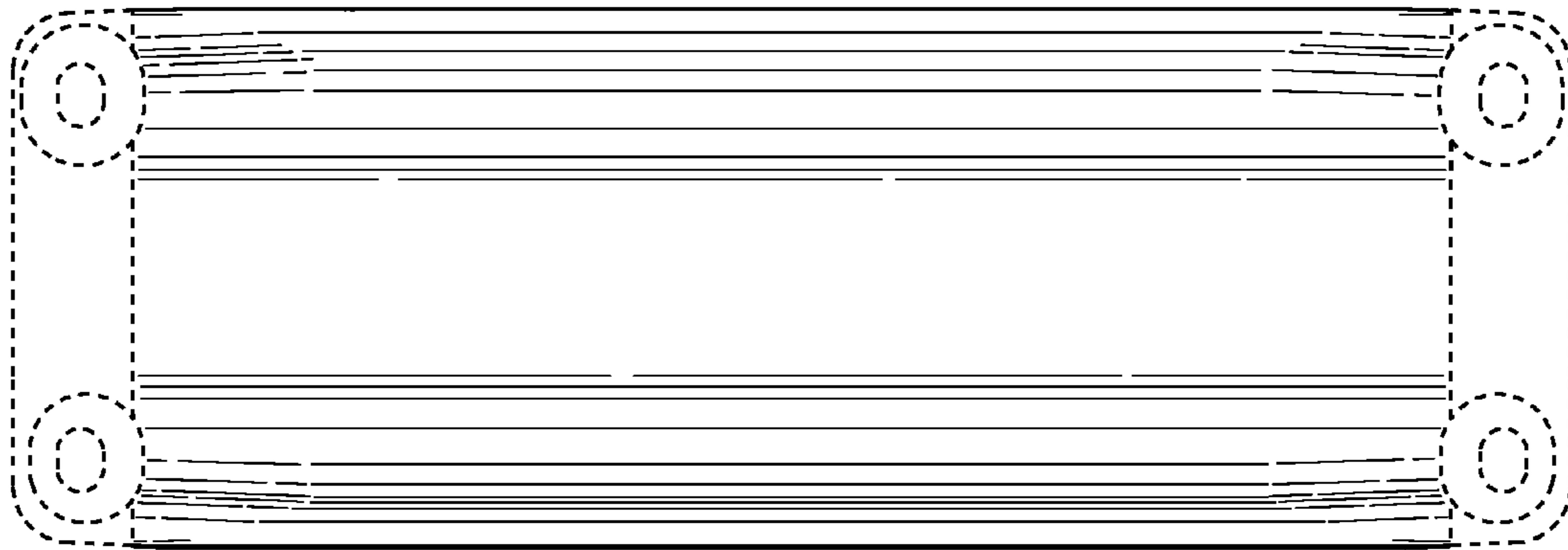


FIG. 6

