



US00D736352S

(12) **United States Design Patent**
Voorhuis et al.

(10) **Patent No.:** **US D736,352 S**

(45) **Date of Patent:** **** Aug. 11, 2015**

(54) **TAP**

D706,949 S * 6/2014 Haluska D24/234

* cited by examiner

(71) Applicants: **Timo Voorhuis**, Velp (NL); **Fok Cornelis Bolderheij**, Hilversum (NL)

Primary Examiner — Robert Delehanty

(74) *Attorney, Agent, or Firm* — Miller & Martin PLLC

(72) Inventors: **Timo Voorhuis**, Velp (NL); **Fok Cornelis Bolderheij**, Hilversum (NL)

(57) **CLAIM**

The ornamental design for the tap, as shown and described.

(**) Term: **14 Years**

DESCRIPTION

(21) Appl. No.: **29/485,872**

FIG. 1 is a top front right perspective view of the tap mounted on a post, which post is not claimed as part of the design;

(22) Filed: **Mar. 24, 2014**

FIG. 2 is a top front right perspective view of the tap shown in FIG. 1;

(51) **LOC (10) Cl.** **23-01**

FIG. 3 is a bottom front right perspective view of the tap shown in FIG. 1;

(52) **U.S. Cl.**

USPC **D23/238**

FIG. 4 is a bottom front right perspective view of the tap shown in FIG. 1 from a lower angle than FIG. 3;

(58) **Field of Classification Search**

USPC D23/201, 238, 255, 286, 249; D30/132; D7/305; D24/285, 288, 234

FIG. 5 is a top back right perspective view of the tap shown in FIG. 1;

See application file for complete search history.

FIG. 6 is a top plan view of the tap shown in FIG. 1;

FIG. 7 is a bottom plan view of the tap shown in FIG. 1;

(56) **References Cited**

U.S. PATENT DOCUMENTS

- D119,297 S * 3/1940 Bales D23/291
- D185,650 S * 7/1959 Voorhees D23/293.1
- D234,145 S * 1/1975 Peppier D30/132
- D244,291 S * 5/1977 Baker D23/293.1
- D602,133 S * 10/2009 Soulier D23/284

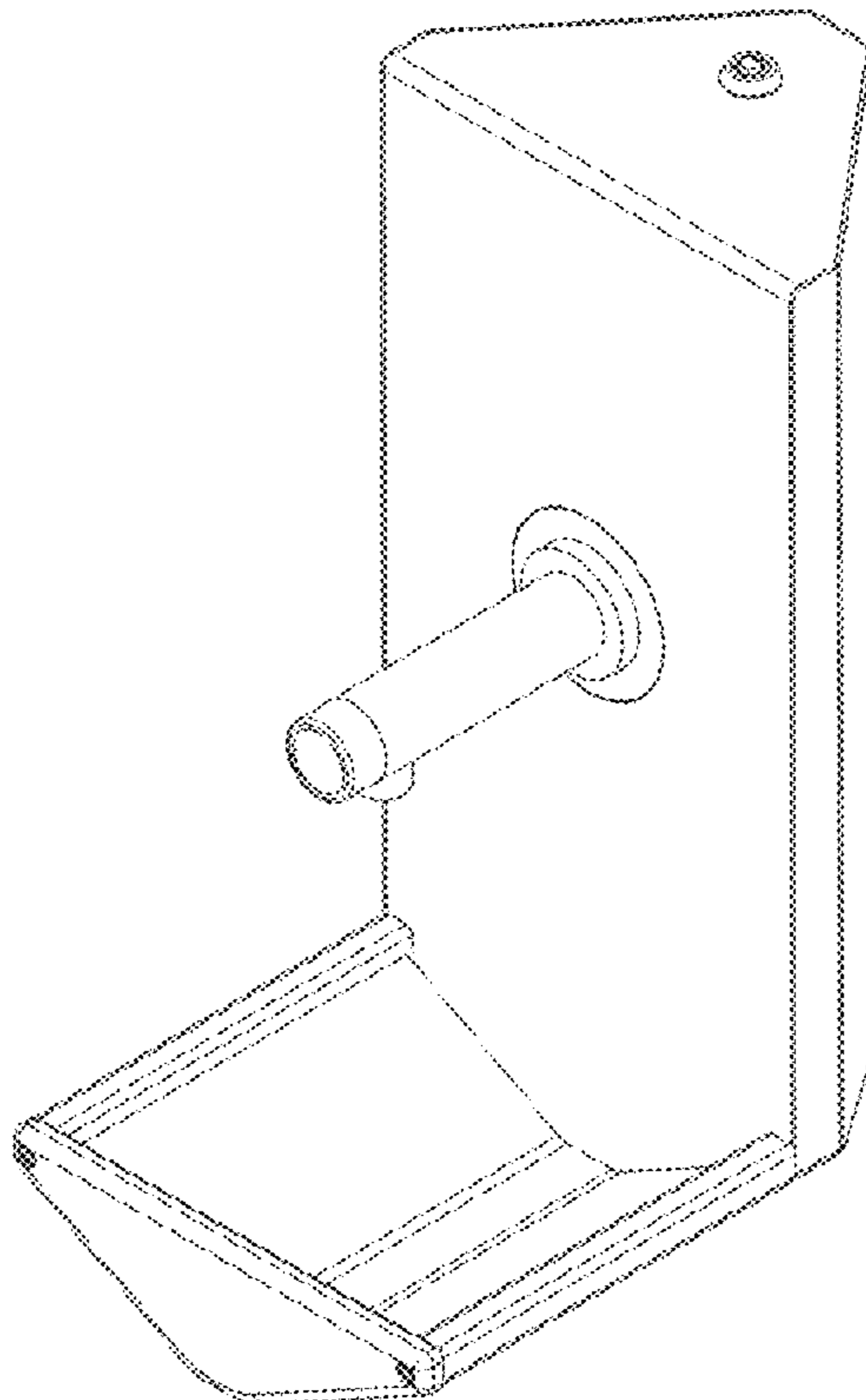
FIG. 8 is a front elevation view of the tap shown in FIG. 1;

FIG. 9 is a back elevation view of the tap shown in FIG. 1; and,

FIG. 10 is a right side elevation view of the tap shown in FIG. 1, the left side elevation view being a mirror image thereof.

The broken lines in FIG. 1 depict unclaimed environmental subject matter.

1 Claim, 10 Drawing Sheets



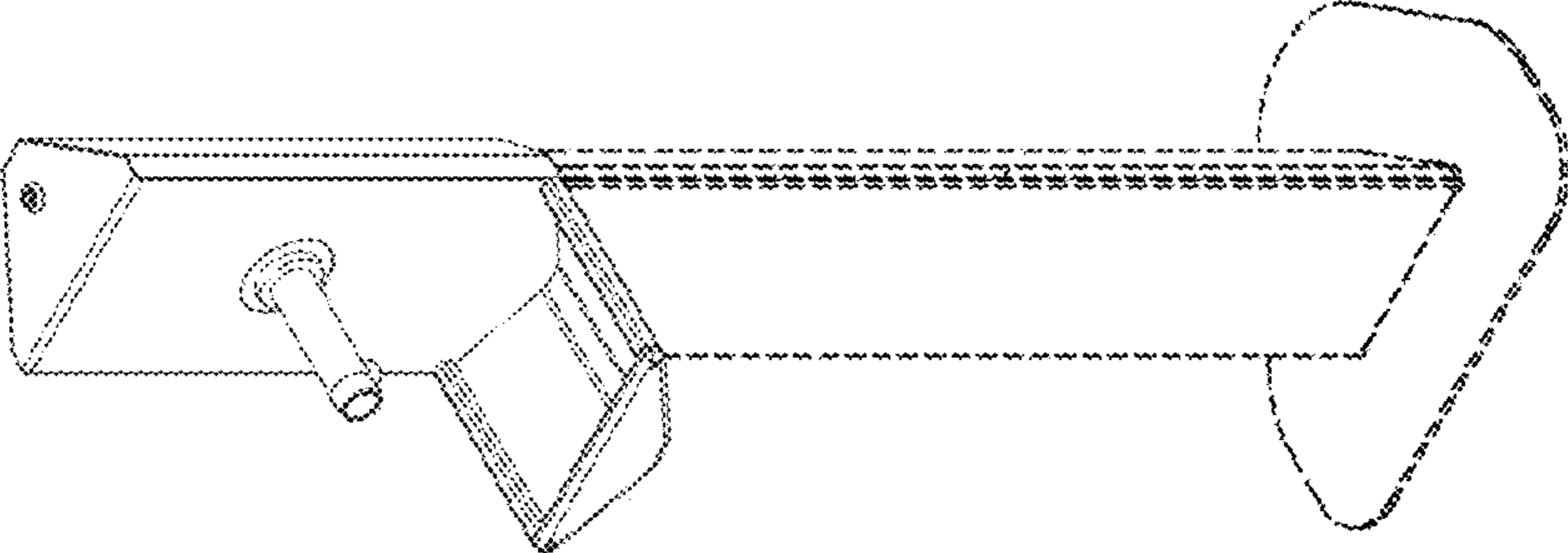


Figure 1

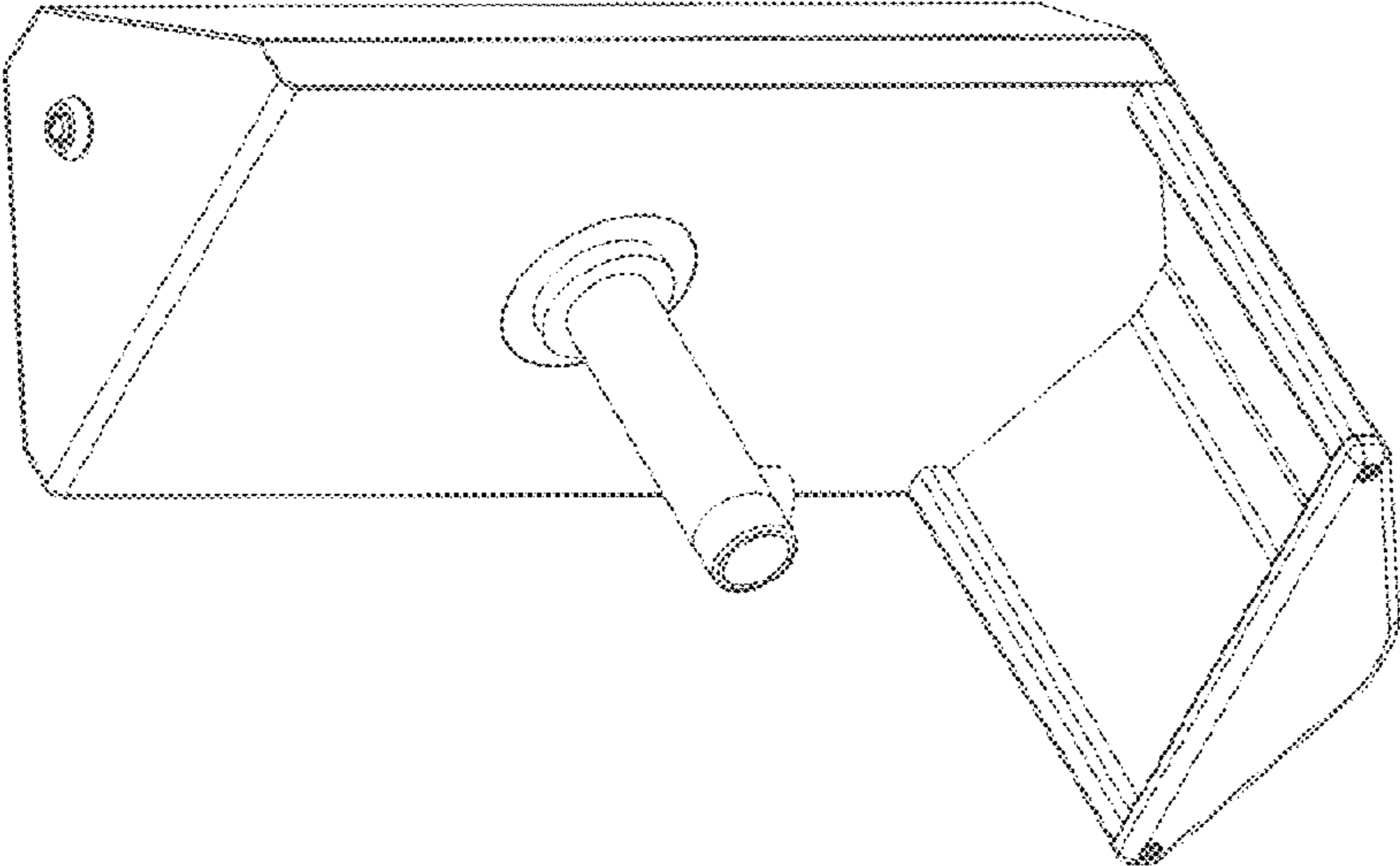


Figure 2

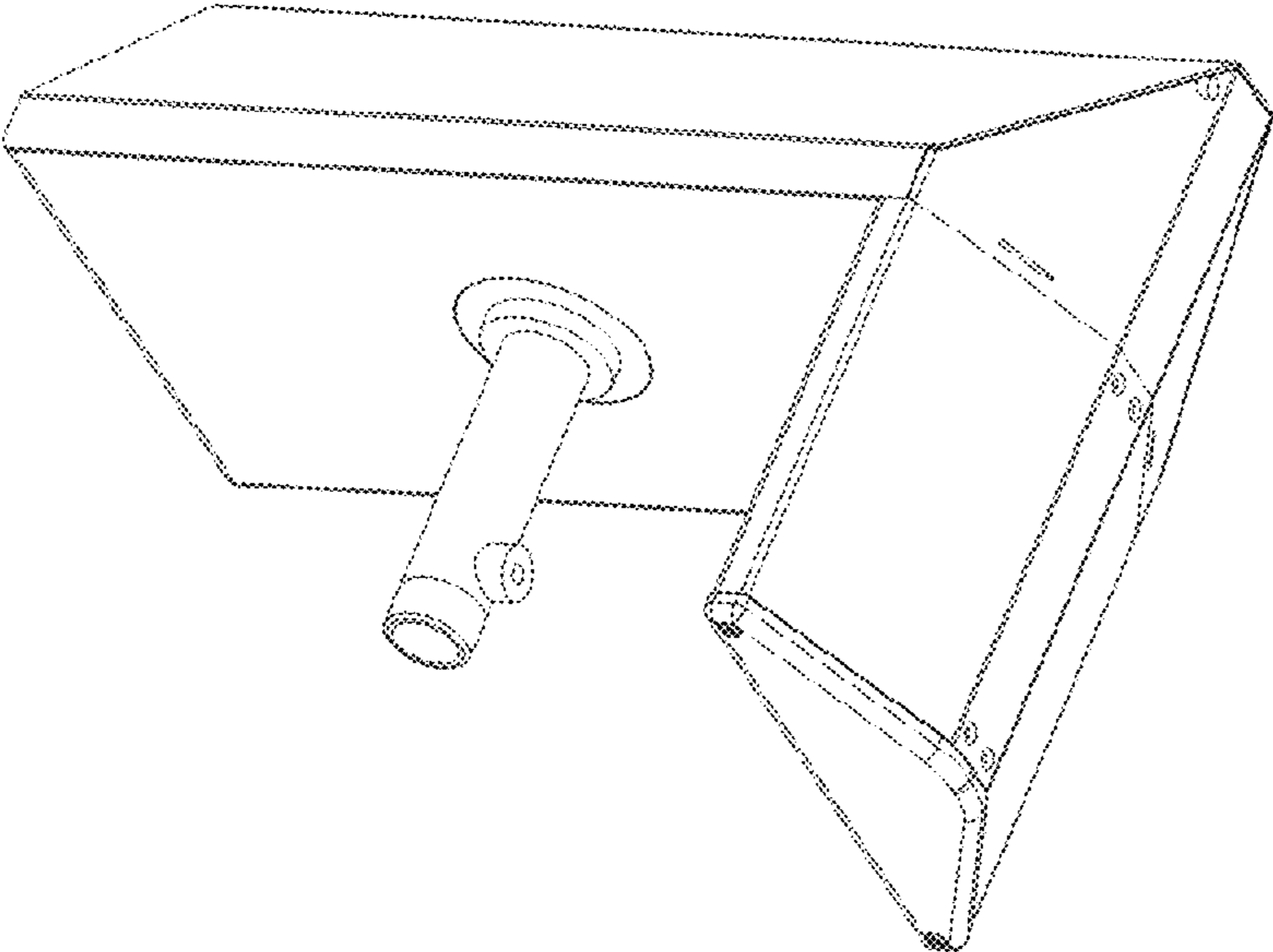


Figure 3

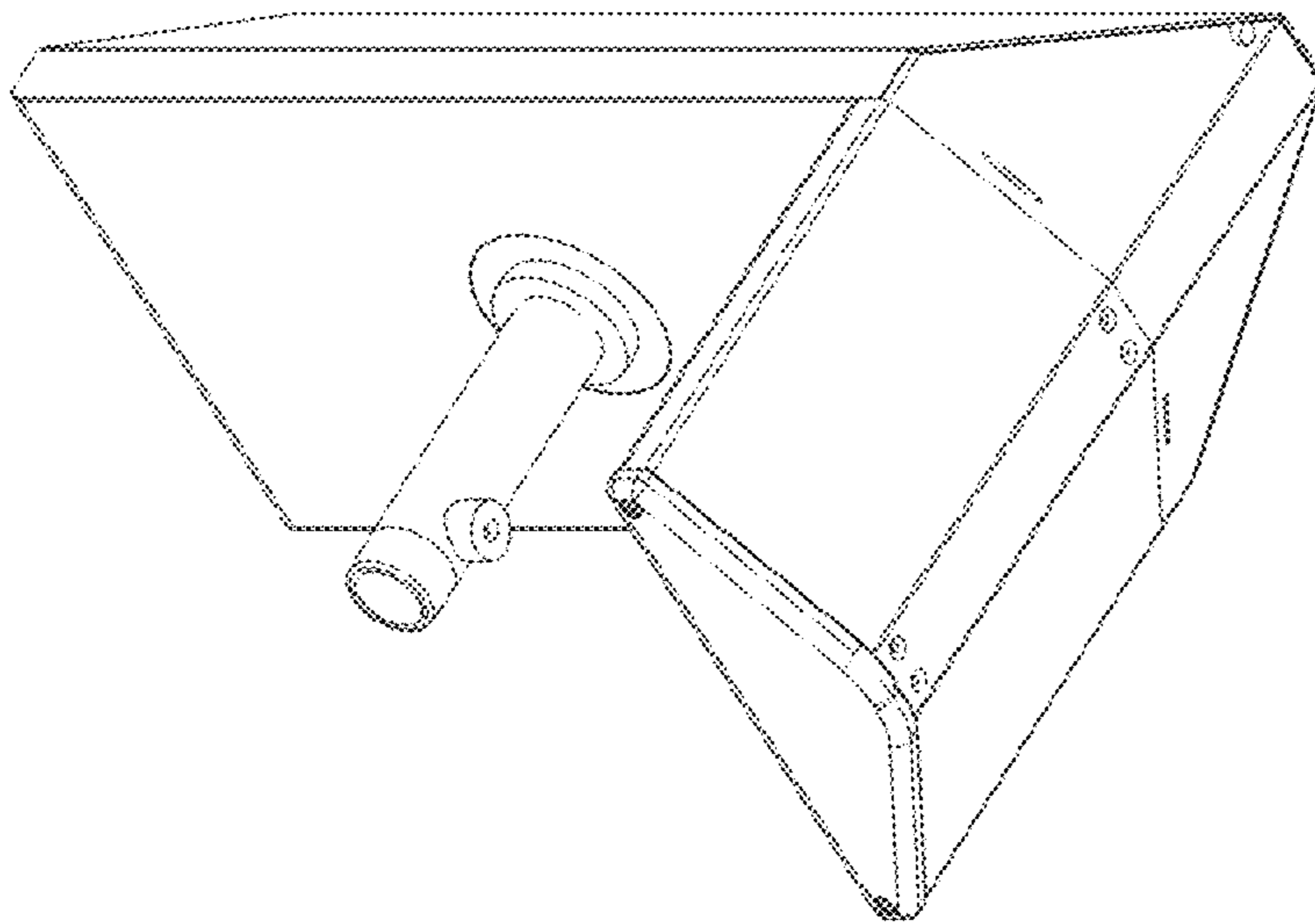


Figure 4

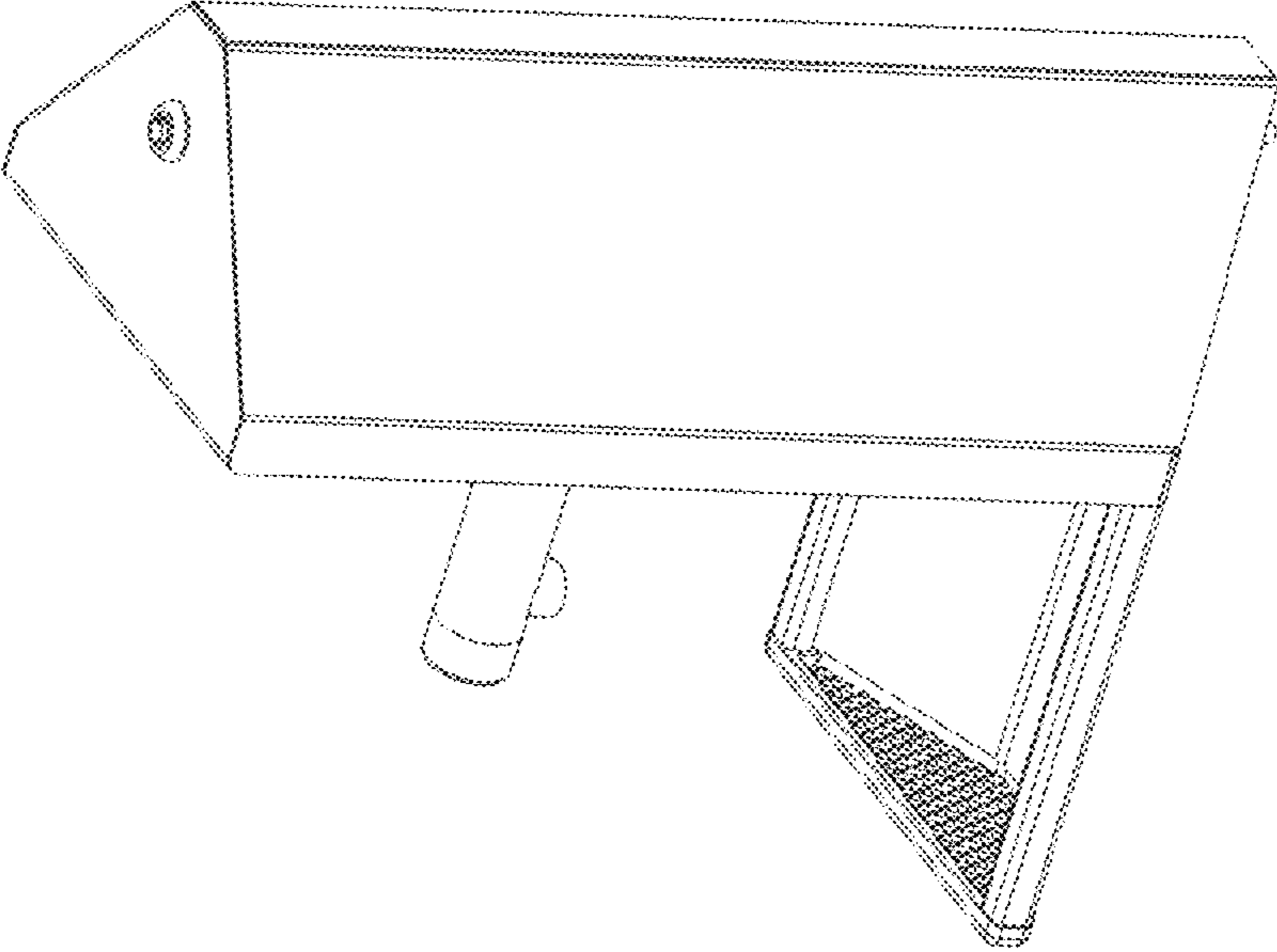


Figure 5

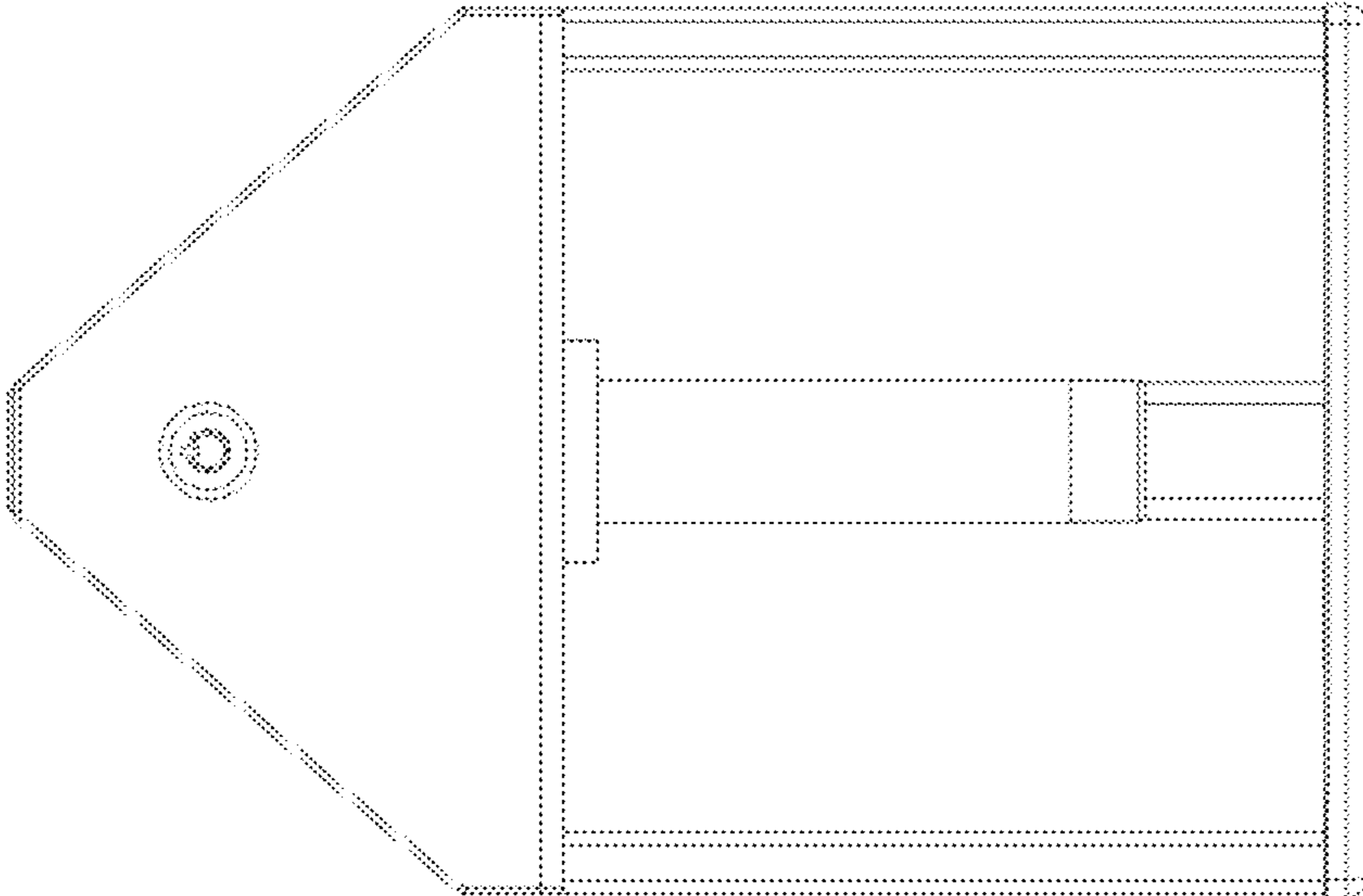


Figure 6

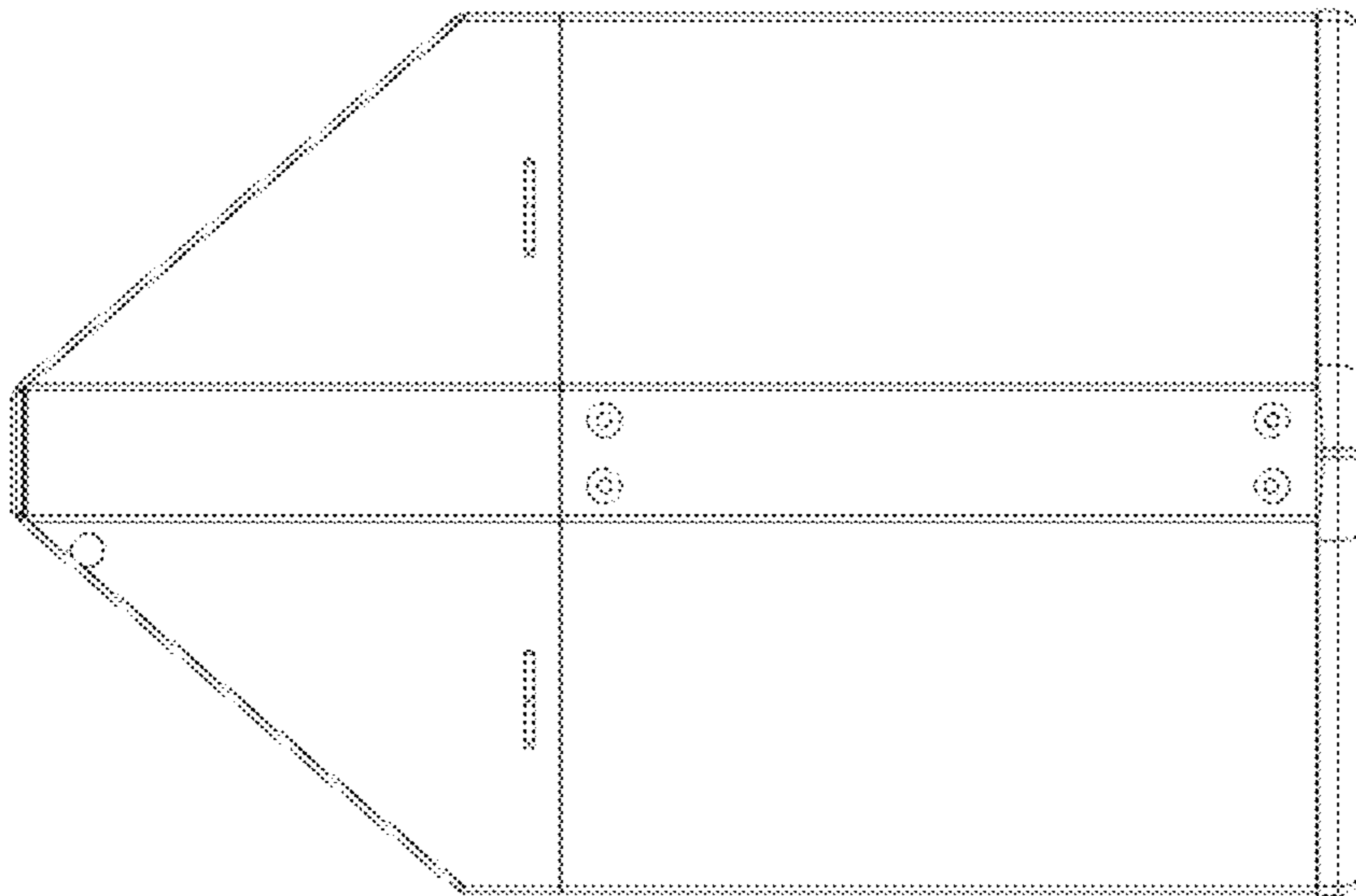


Figure 7

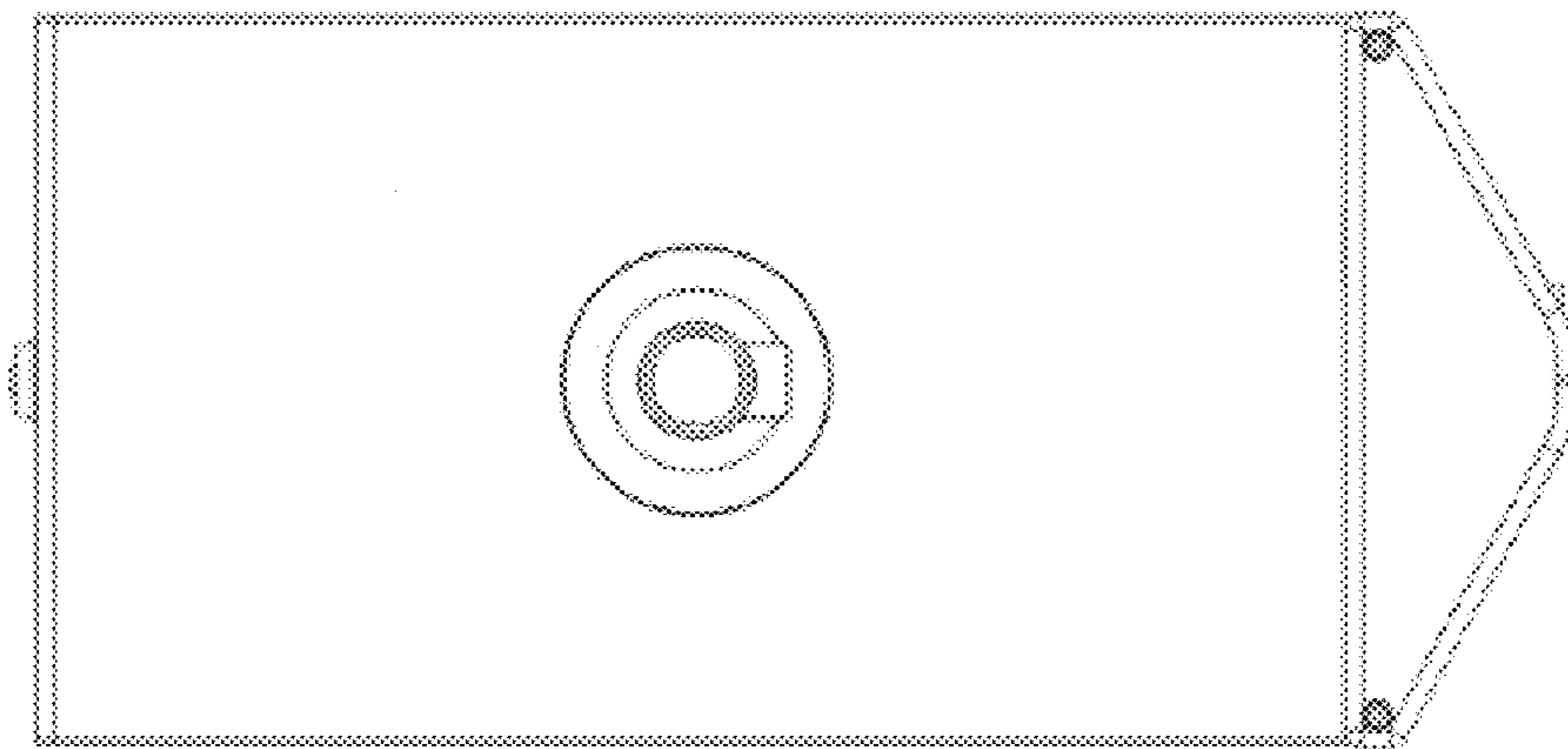


Figure 8

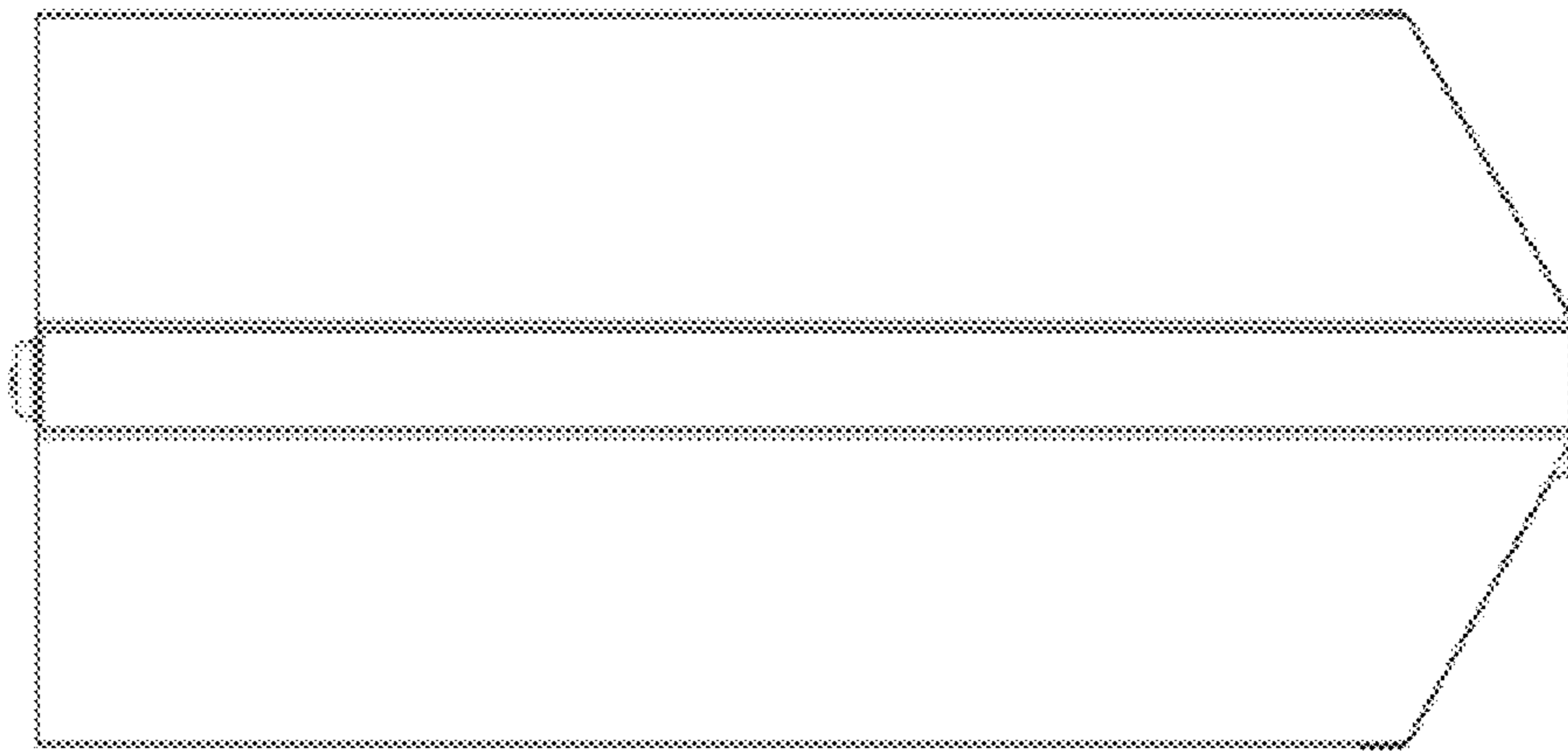


Figure 9

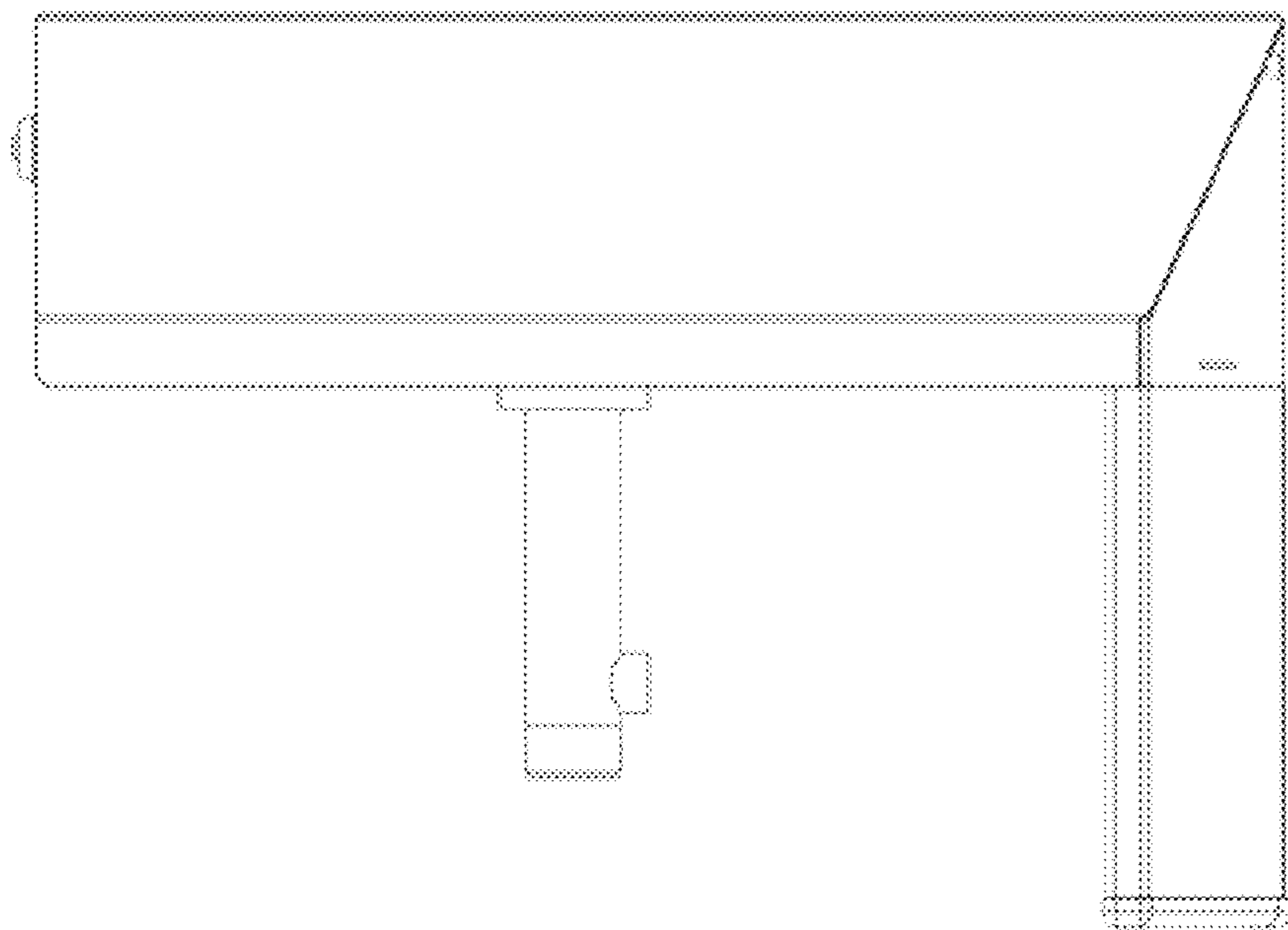


Figure 10