

US00D736351S

(12) **United States Design Patent**
Christopherson et al.

(10) **Patent No.:** **US D736,351 S**
(45) **Date of Patent:** **** Aug. 11, 2015**

- (54) **SIPHON SYSTEM**
- (71) Applicant: **Siphon Systems, LLC**, Shoreview, MN (US)
- (72) Inventors: **Mark Alan Christopherson**, Shoreview, MN (US); **Alan Douglas Woldt**, Shoreview, MN (US)
- (73) Assignee: **Siphon Systems, LLC**, Shoreview, MN (US)
- (**) Term: **14 Years**
- (21) Appl. No.: **29/458,865**
- (22) Filed: **Jun. 24, 2013**
- (51) **LOC (10) Cl.** **23-01**
- (52) **U.S. Cl.**
USPC **D23/233**
- (58) **Field of Classification Search**
USPC D23/233-250; 604/500, 514, 81, 248, 604/246; 141/319; 239/29.3, 25; 137/383, 137/571, 583, 271; 73/864.51; 285/242; 417/152
CPC F04F 10/00; E03D 11/08; E03D 11/18; E03D 2201/30; E03D 1/34; E03D 2201/40; E03D 11/02; E03D 11/16; E03D 1/00; E03D 1/26; E03D 3/12; E03D 5/012; B01L 2400/0409; B01L 3/502738; B01L 2300/0806; B01L 2300/0867
See application file for complete search history.

2,725,070	A *	11/1955	Larkin	137/151
2,762,558	A *	9/1956	Noller	417/154
2,779,349	A *	1/1957	Ten Eyck	137/145
2,899,137	A *	8/1959	Martin	239/29.3
3,182,709	A *	5/1965	Fisher	137/143
3,216,418	A *	11/1965	Scislowicz	604/80
3,217,711	A *	11/1965	Pecina et al.	604/81
3,415,267	A *	12/1968	Karlen et al.	137/132
3,640,302	A *	2/1972	Willinger	137/142

(Continued)

OTHER PUBLICATIONS

Sprinkler Warehouse, Irritrol 2700 Series Anti-Siphon Control Valves, <http://www.sprinklerwarehouse.com/Irritrol-2700-Series>, printed Jun. 21, 2013.

Primary Examiner — Cynthia Ramirez
Assistant Examiner — Gino Colan

(74) *Attorney, Agent, or Firm* — Dicke, Billig & Czaja, PLLC

(57) **CLAIM**

The ornamental design for a siphon system, as shown and described herein.

DESCRIPTION

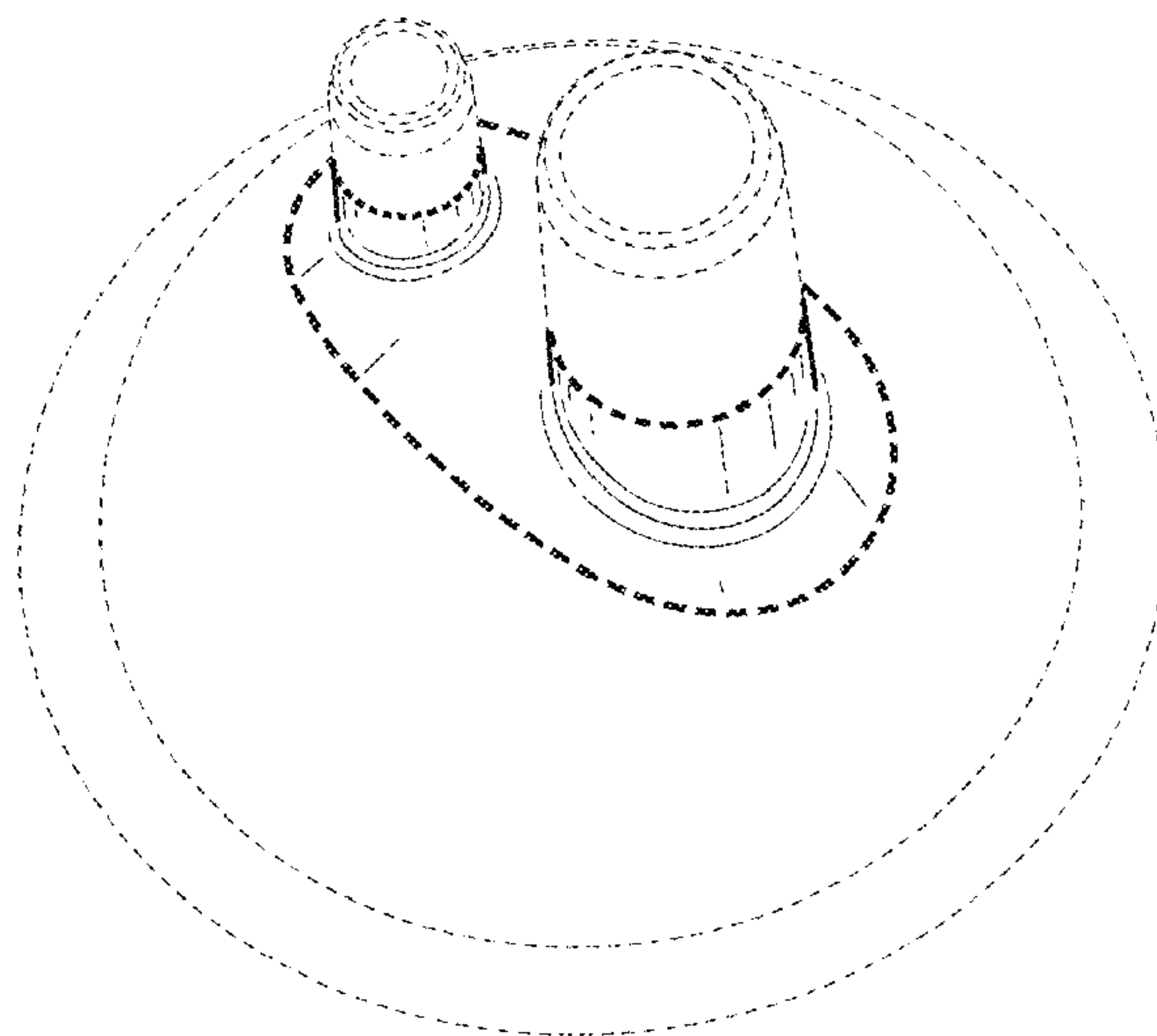
FIG. 1 is a front, top, right perspective view of a siphon system, according to one example of the present disclosure; FIG. 2 is a front, bottom, right perspective view of the siphon system of FIG. 1; FIG. 3 is a right side view of the siphon system of FIG. 1; FIG. 4 is a left side view of the siphon system of FIG. 1; FIG. 5 is a front side view of the siphon system of FIG. 1, with a rear side view being a mirror image of the front side view; FIG. 6 is a top plan view of the siphon system of FIG. 1; and, FIG. 7 is a bottom plan view of the siphon system of FIG. 1. The broken lines in the drawings are included for the purpose of illustrating portions of the siphon system and form no part of the claimed design.

1 Claim, 3 Drawing Sheets

(56) **References Cited**

U.S. PATENT DOCUMENTS

1,856,083	A *	5/1932	Sather	137/149
1,959,076	A *	5/1934	Bruce	137/146
2,109,781	A *	3/1938	Agnes	137/145
2,594,639	A *	4/1952	Gossett	285/8
2,660,063	A *	11/1953	Sawers	73/864.51



US D736,351 S

Page 2

(56)

References Cited

U.S. PATENT DOCUMENTS

3,677,248 A *	7/1972	McPhee	604/500	3,822,715 A *	7/1974	Rao	137/140
3,783,888 A *	1/1974	Johnson	137/145	D396,524 S	7/1998	Patrick et al.	
				6,517,320 B1 *	2/2003	Reynolds	417/152
				2008/0108954 A1 *	5/2008	Mathias et al.	604/248

* cited by examiner

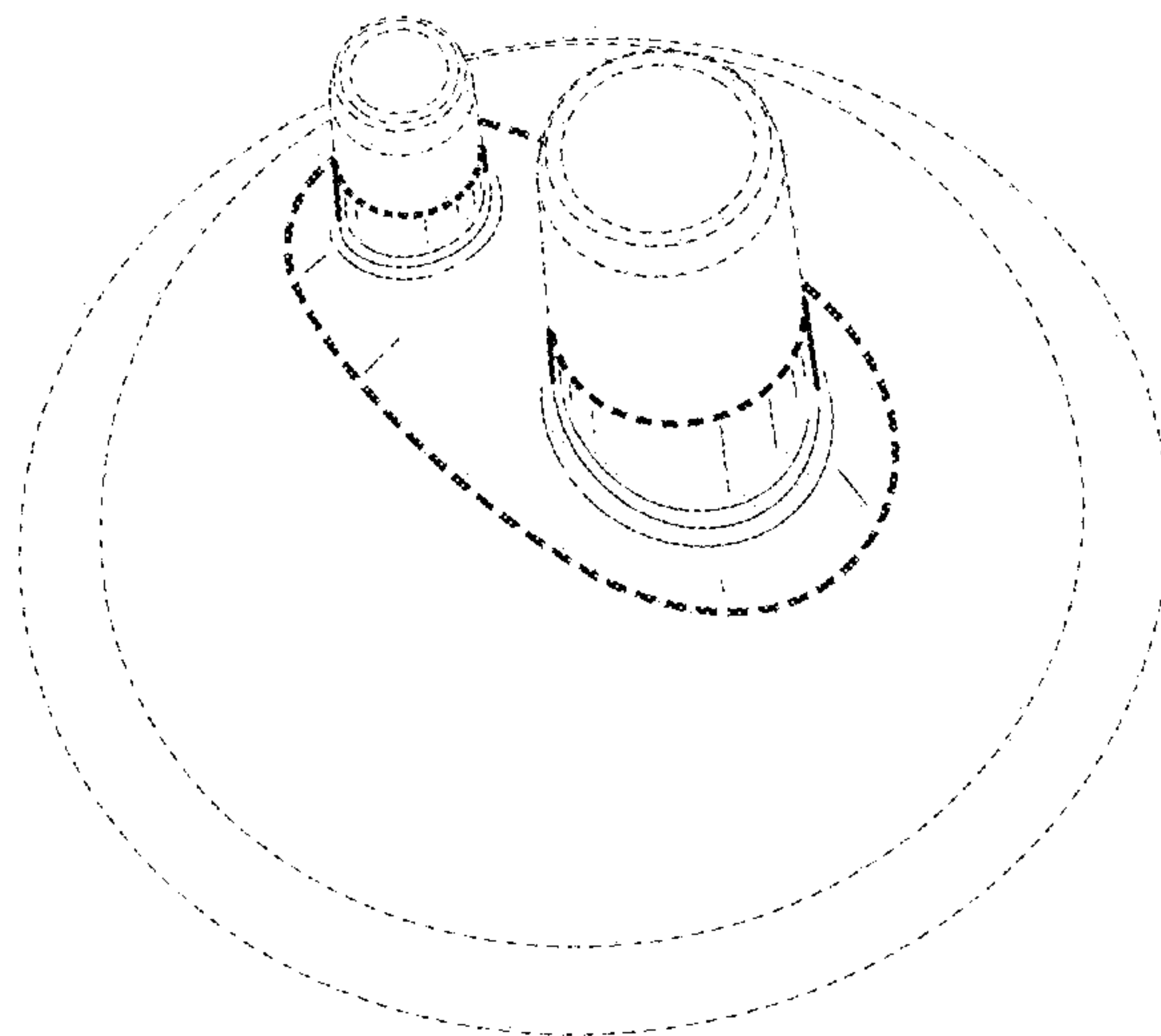


Fig. 1

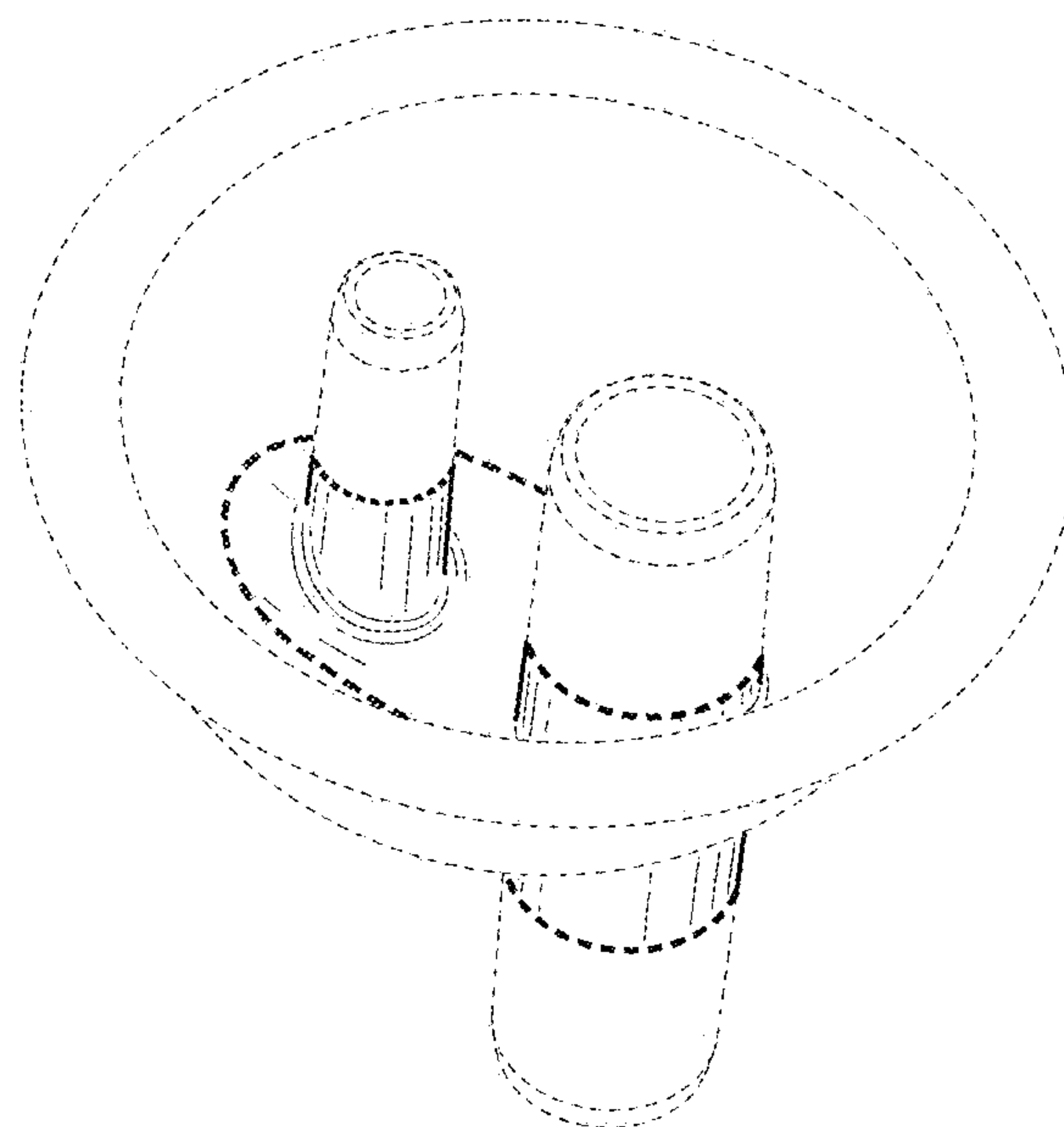


Fig. 2

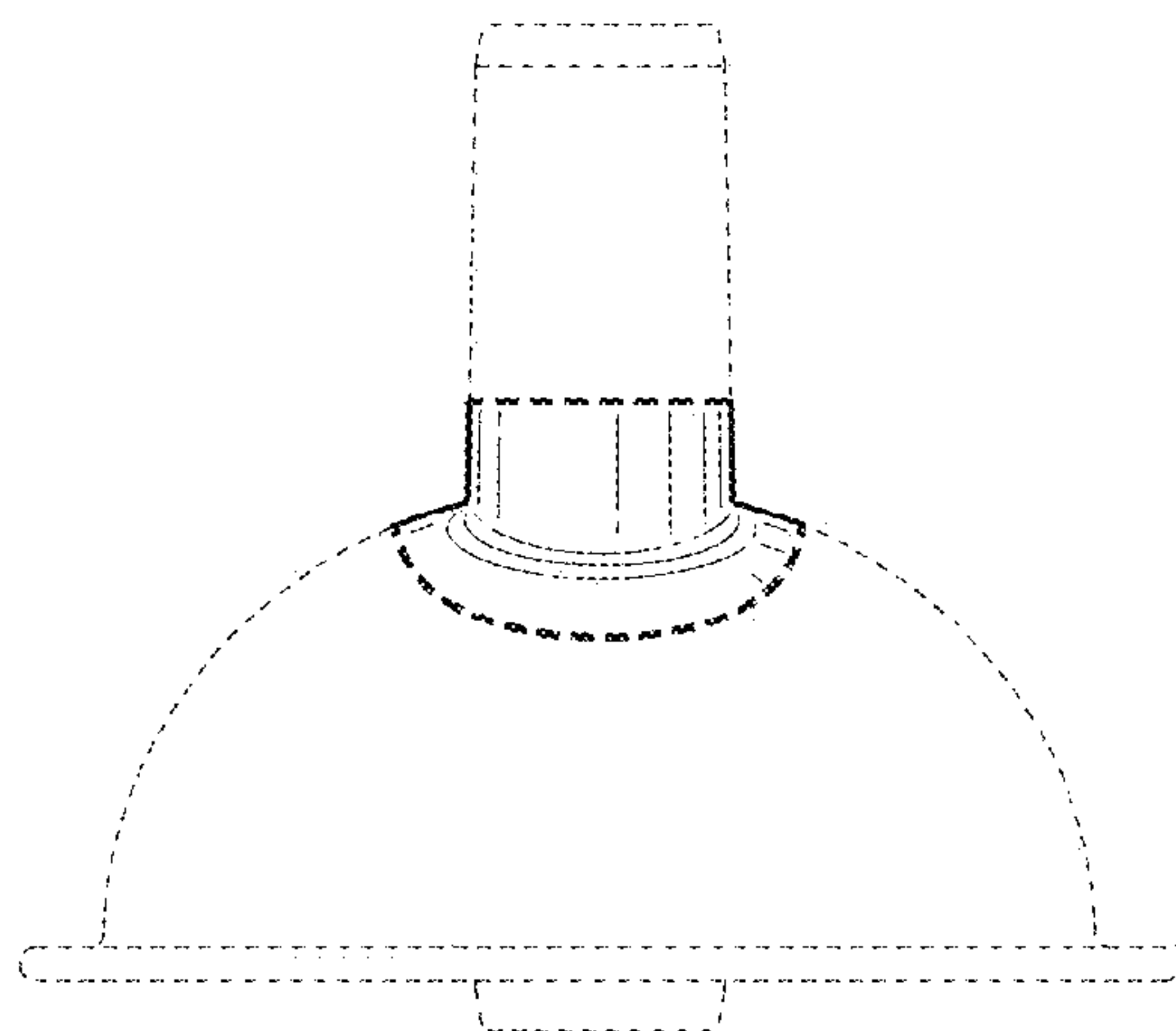


Fig. 3

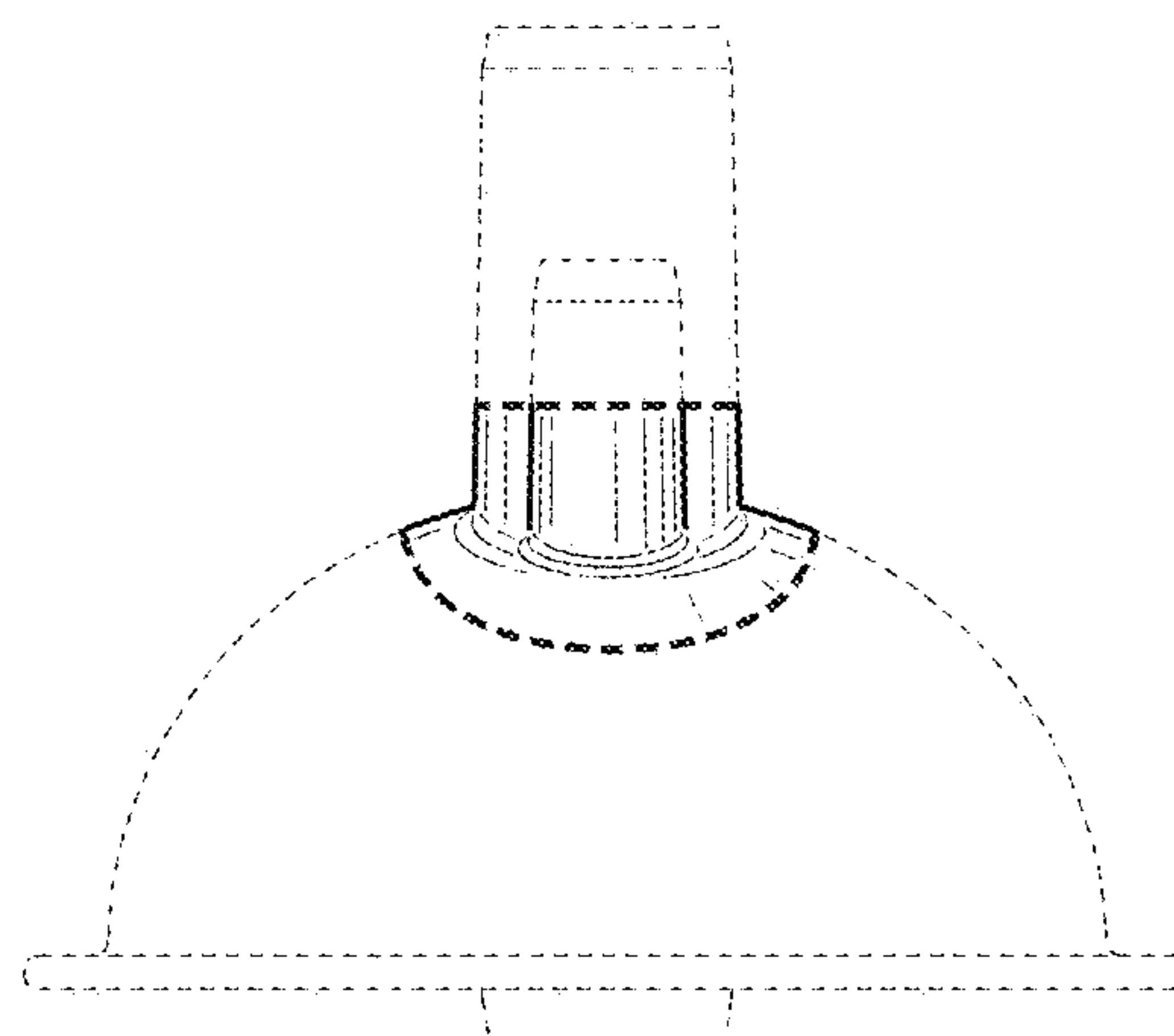


Fig. 4

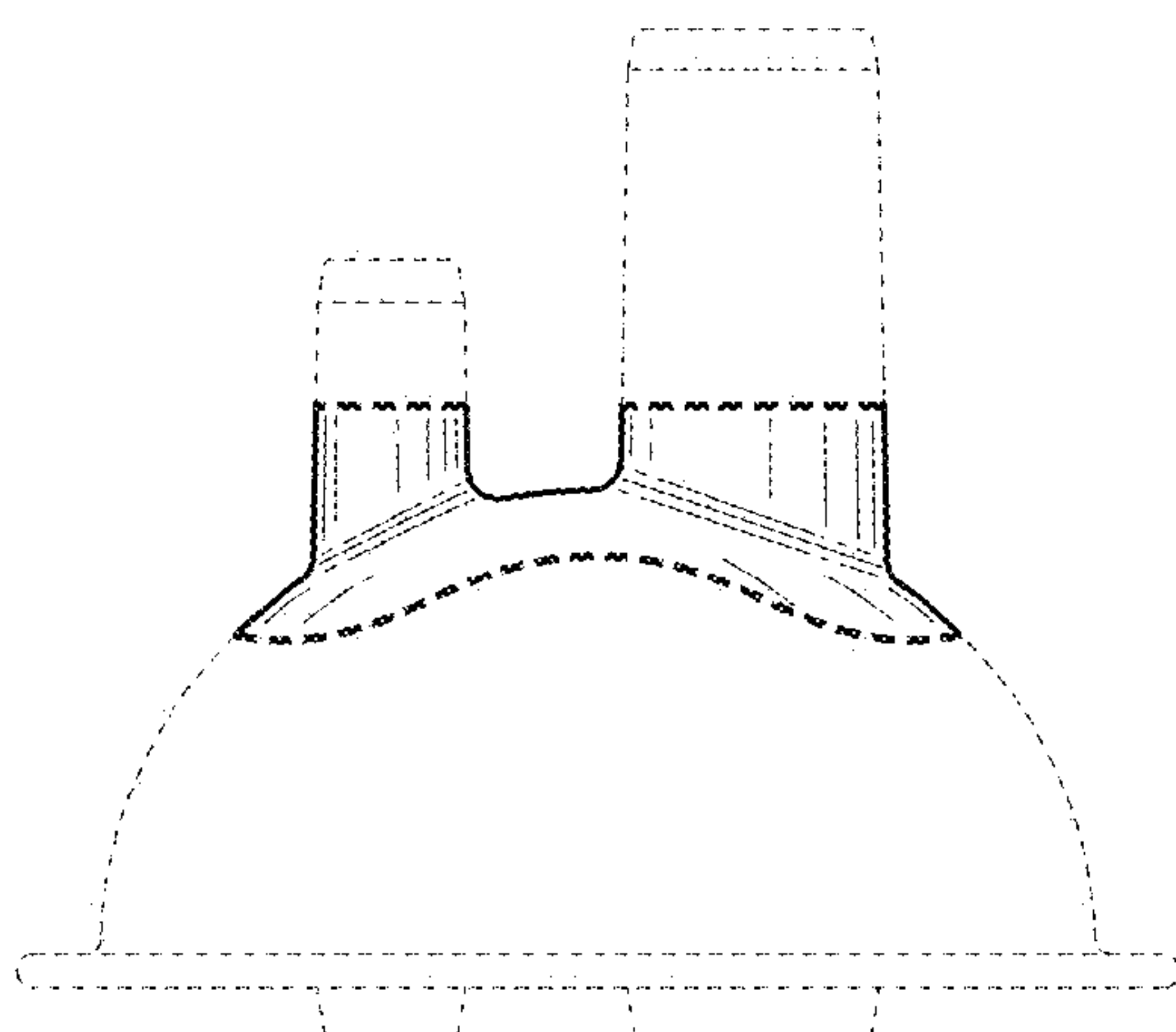


Fig. 5

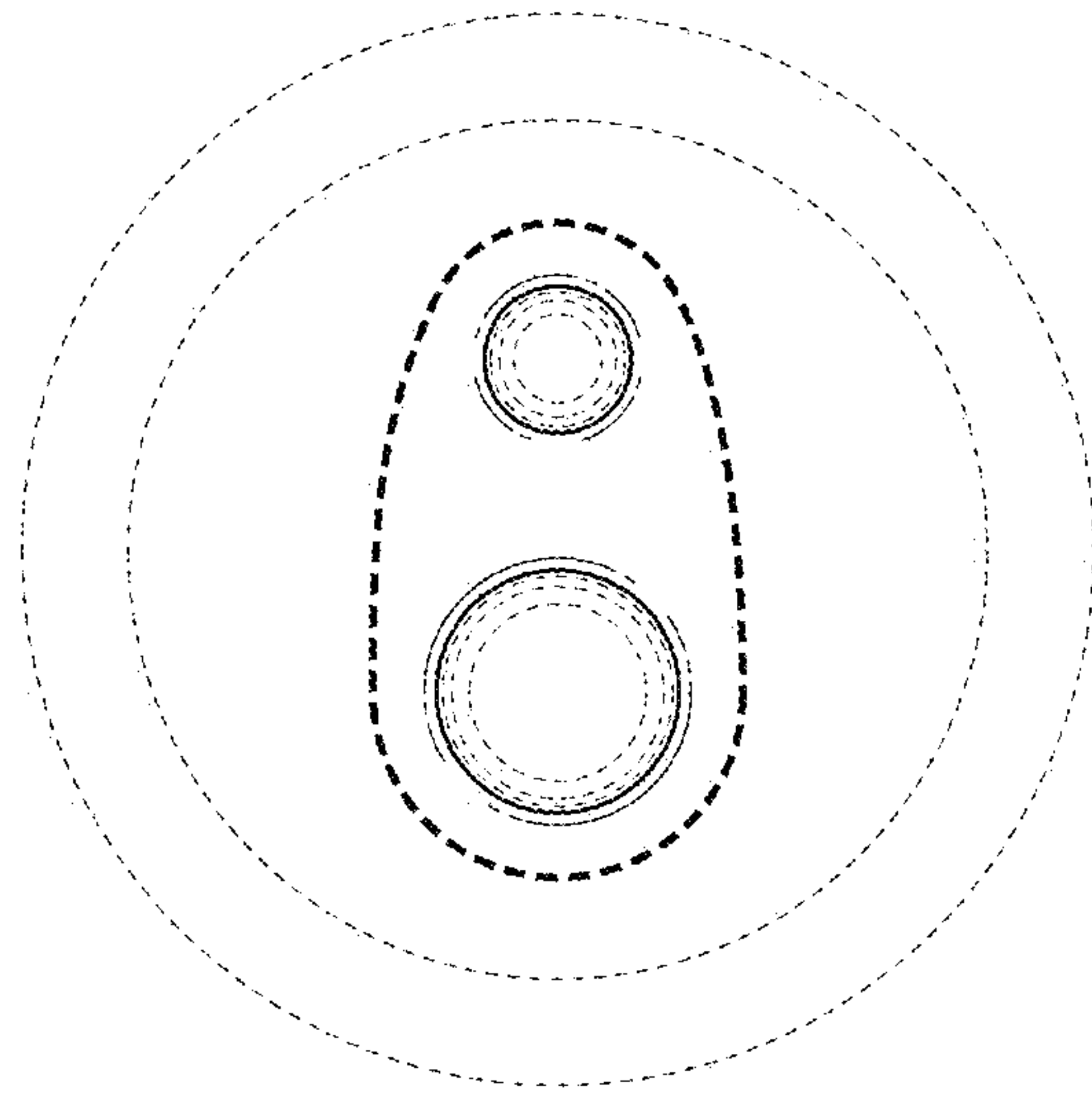


Fig. 6

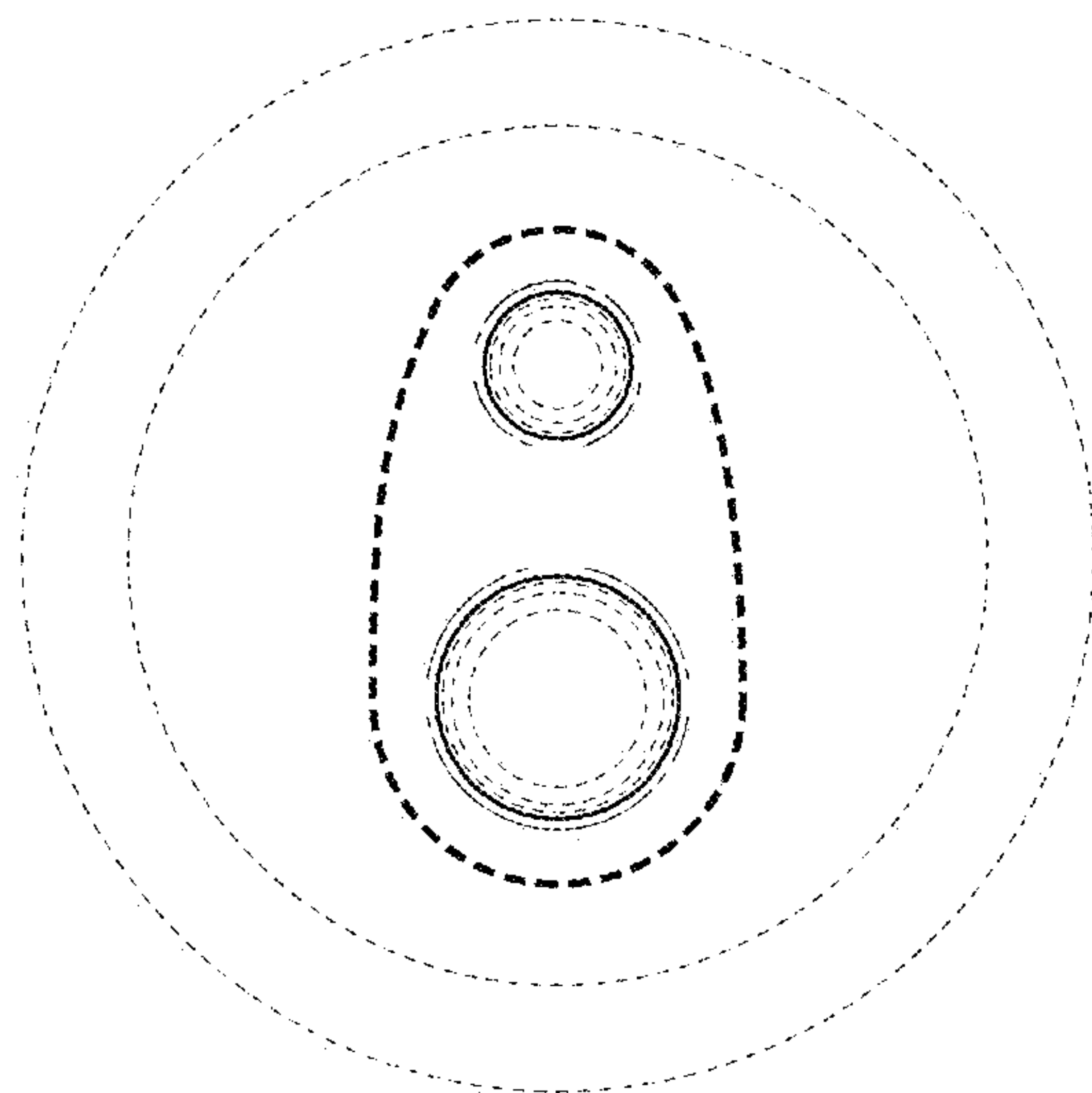


Fig. 7