

US00D736350S

(12) **United States Design Patent**
Cheng

(10) **Patent No.:** **US D736,350 S**

(45) **Date of Patent:** **** Aug. 11, 2015**

(54) **SPRAY GUN**

D714,423 S * 9/2014 Mammen et al. D23/226
D714,908 S * 10/2014 Mammen et al. D23/226

(71) Applicant: **YUAN-MEI CORP.**, Changhua County (TW)

* cited by examiner

(72) Inventor: **Chi-Han Cheng**, Changhua County (TW)

Primary Examiner — Robin V Webster

(74) *Attorney, Agent, or Firm* — Bacon & Thomas, PLLC

(73) Assignee: **YUAN-MEI CORP.**, Changhua County (TW)

(57) **CLAIM**

The ornamental design for a spray gun, as shown and described.

(**) Term: **14 Years**

DESCRIPTION

(21) Appl. No.: **29/494,479**

FIG. 1 is a perspective view of a spray gun showing my new design;

(22) Filed: **Jun. 20, 2014**

FIG. 2 is a left-side elevational view thereof;

(51) **LOC (10) Cl.** **23-01**

FIG. 3 is a right-side elevational view thereof;

(52) **U.S. Cl.**

FIG. 4 is a top plan view thereof;

USPC **D23/226**

FIG. 5 is a bottom plan view thereof;

(58) **Field of Classification Search**

FIG. 6 is a front elevational view thereof;

USPC D23/213, 223, 226; 239/290, 291, 526, 239/690, 691; 361/227, 228

FIG. 7 is a rear elevational view thereof;

See application file for complete search history.

FIG. 8 is a perspective view of another embodiment thereof;

FIG. 9 is a left-side elevational view thereof;

FIG. 10 is a right-side elevational view thereof;

FIG. 11 is a top plan view thereof;

FIG. 12 is a bottom plan view thereof;

FIG. 13 is a front elevational view thereof; and,

FIG. 14 is a rear elevational view thereof.

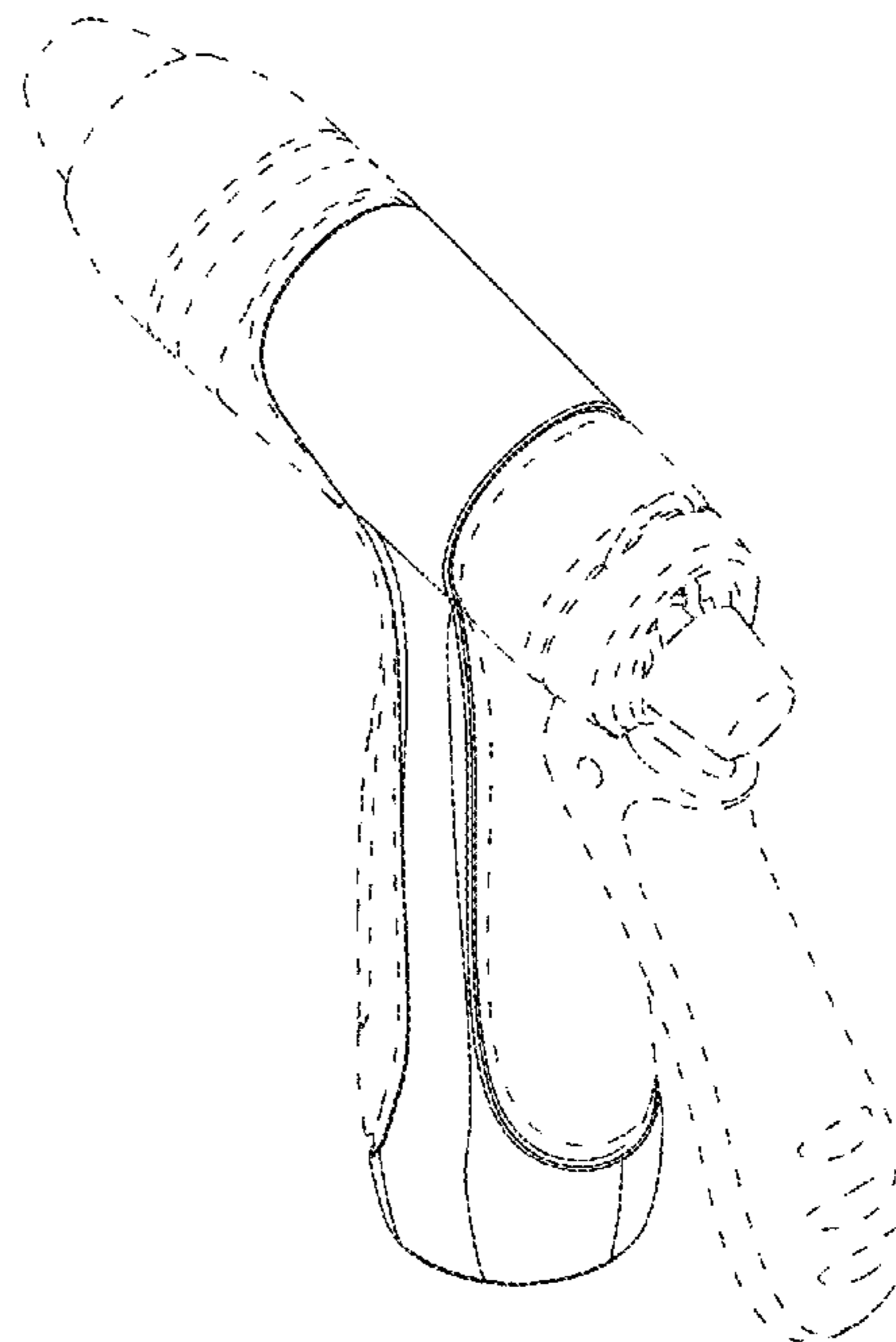
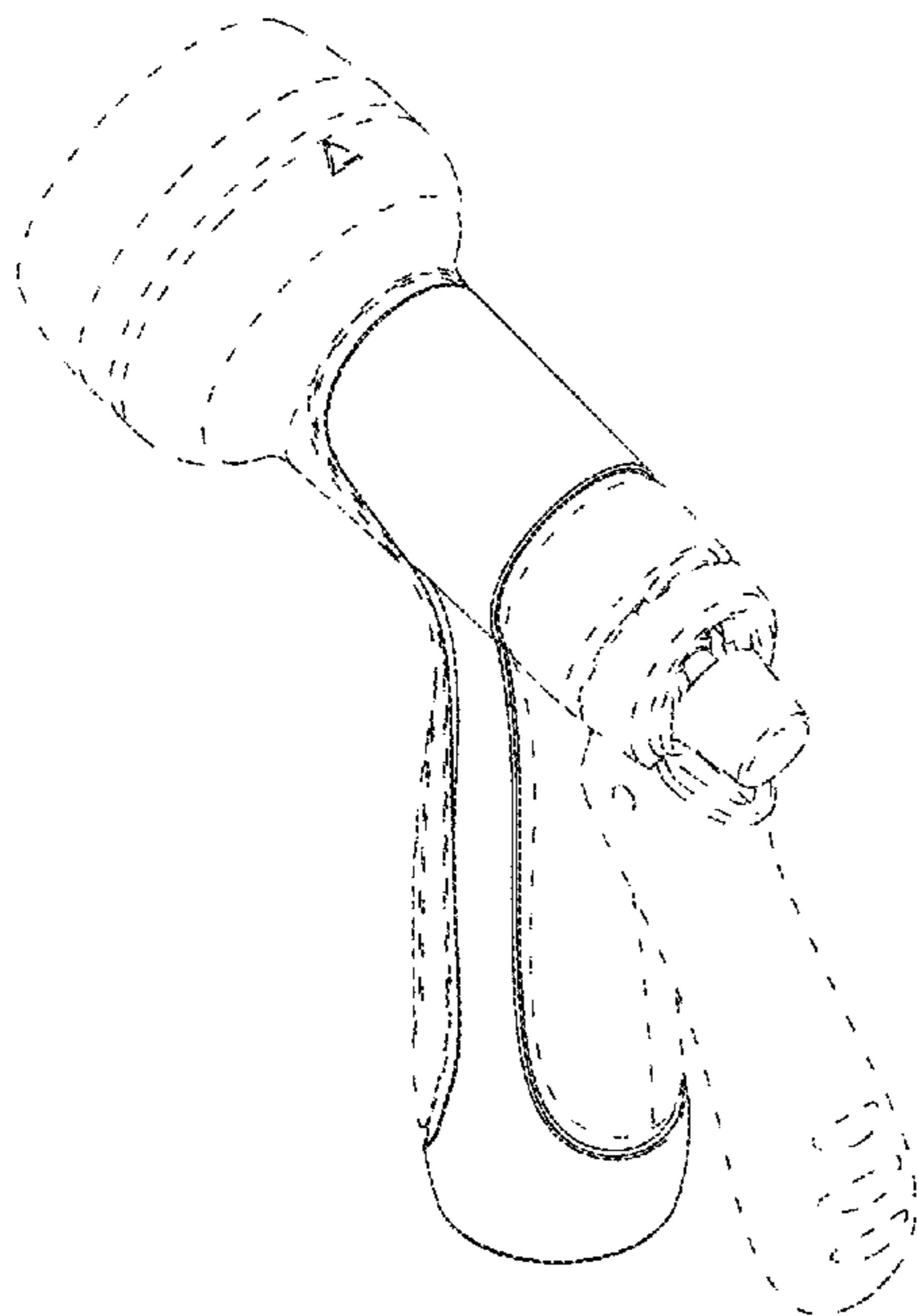
The broken line showing is included for the purpose of illustrating and forms no part of the claimed design.

(56) **References Cited**

U.S. PATENT DOCUMENTS

D585,109 S * 1/2009 Cheng D23/223
D650,042 S * 12/2011 Nies et al. D23/223
D712,512 S * 9/2014 Mammen et al. D23/226
D713,934 S * 9/2014 Mammen et al. D23/226

1 Claim, 14 Drawing Sheets



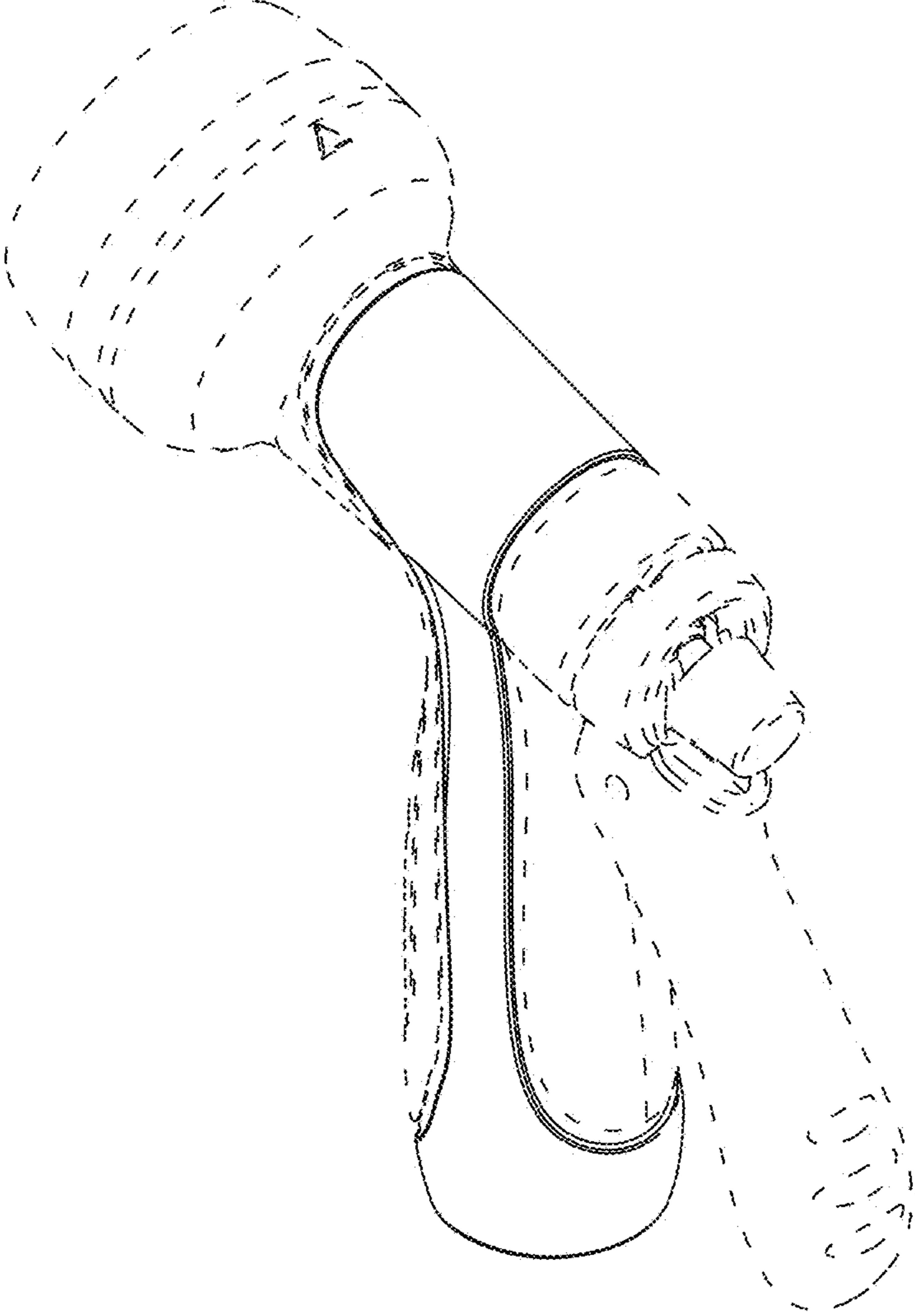


FIG 1

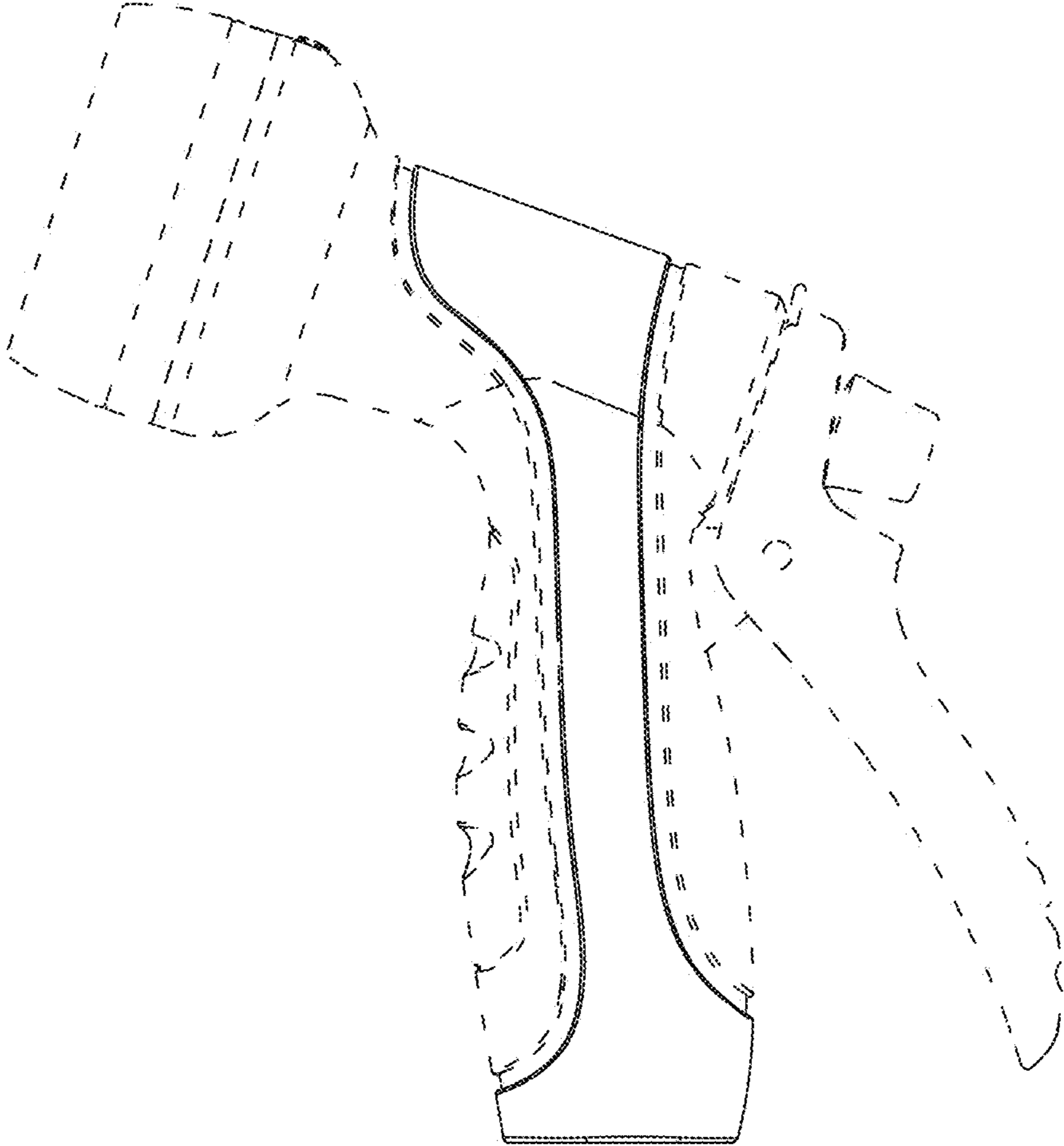


FIG 2

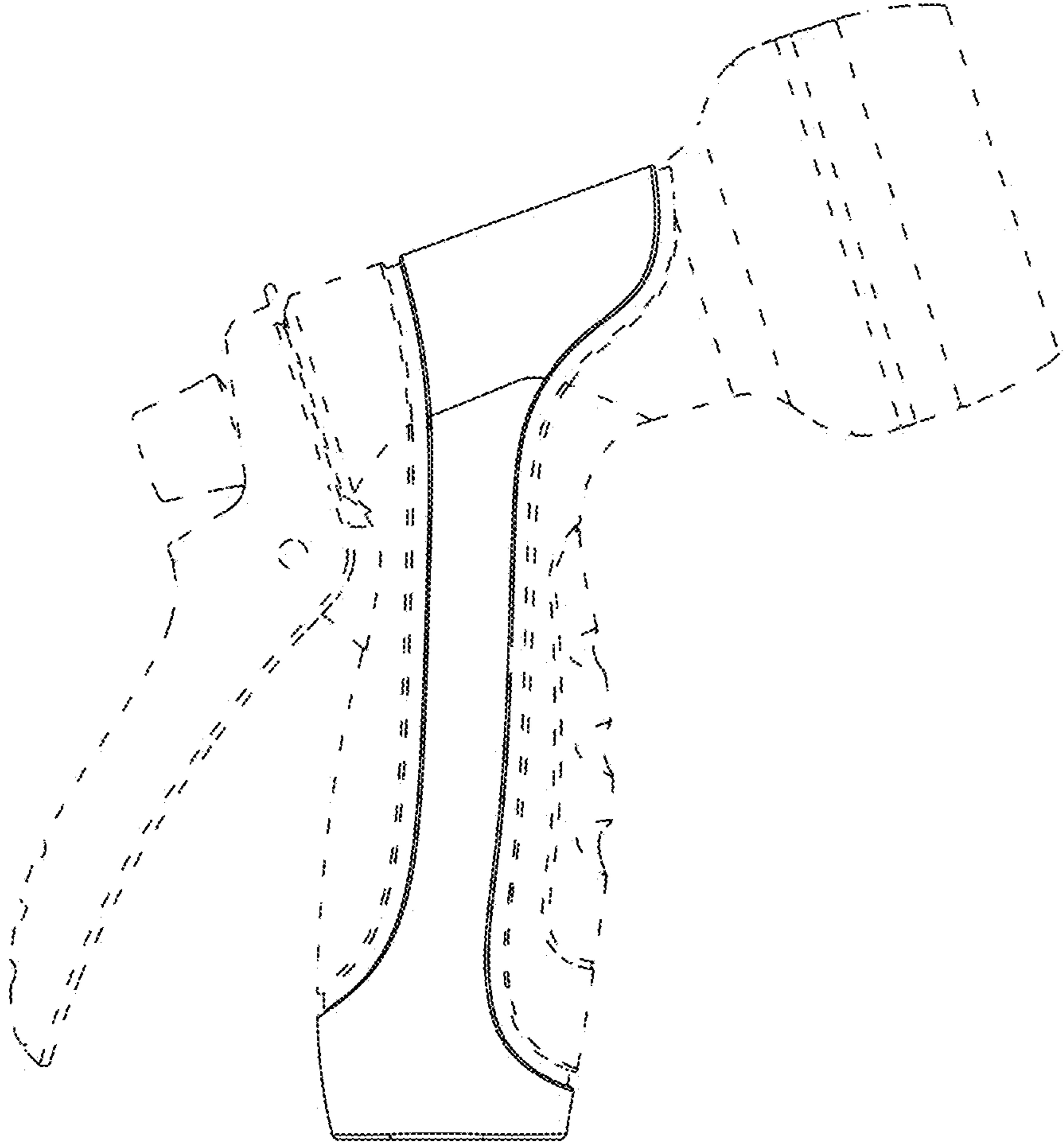


FIG 3

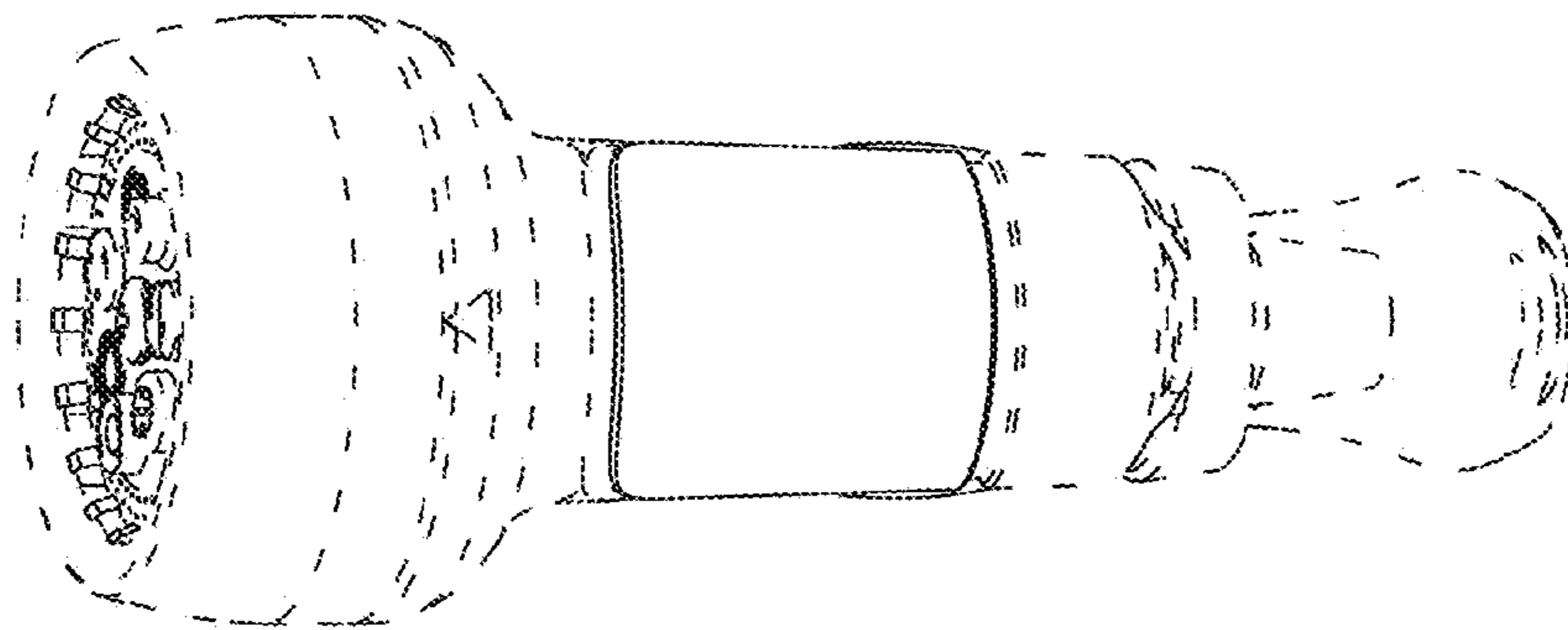


FIG 4

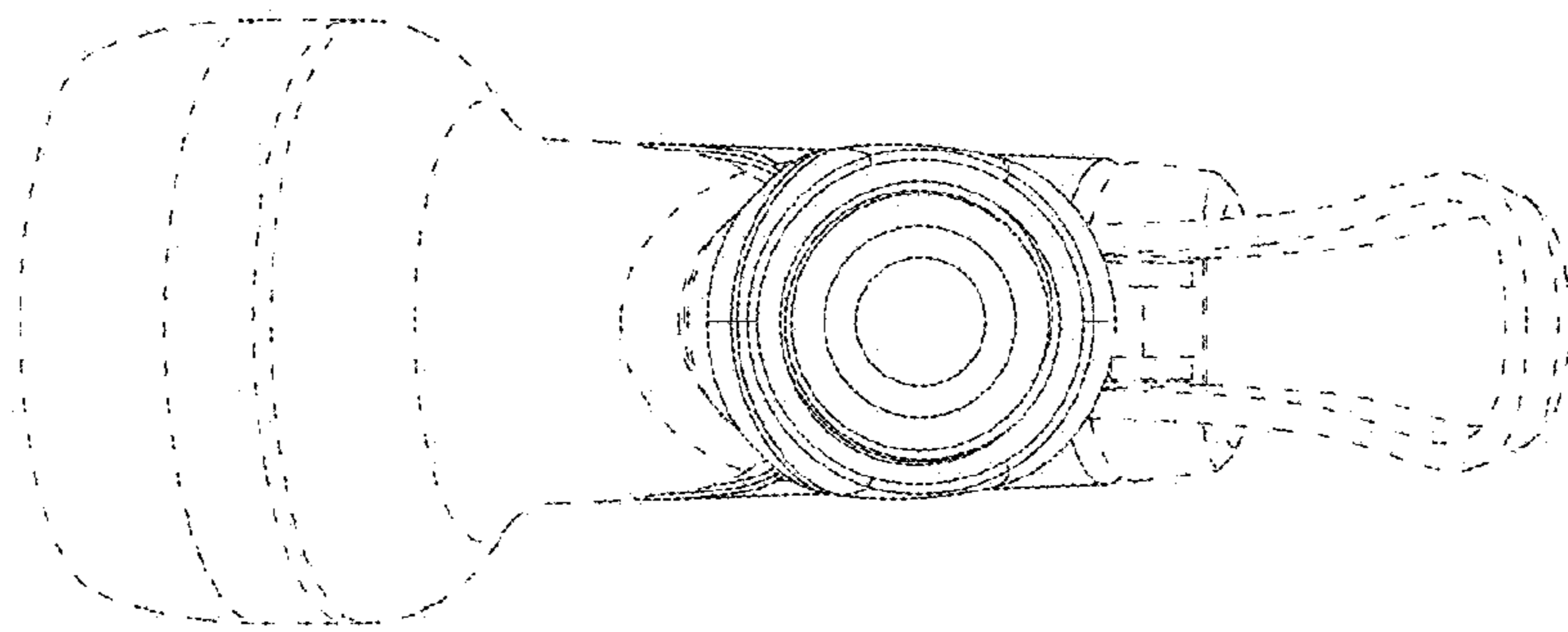


FIG 5

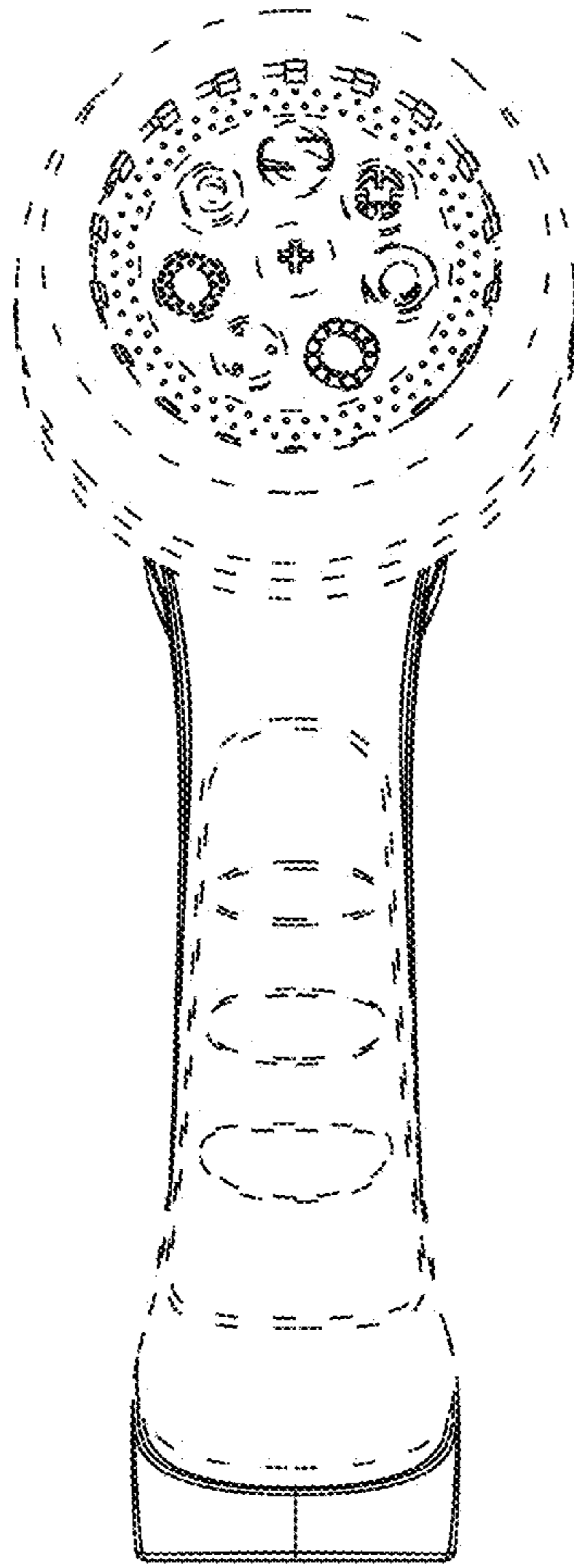


FIG 6

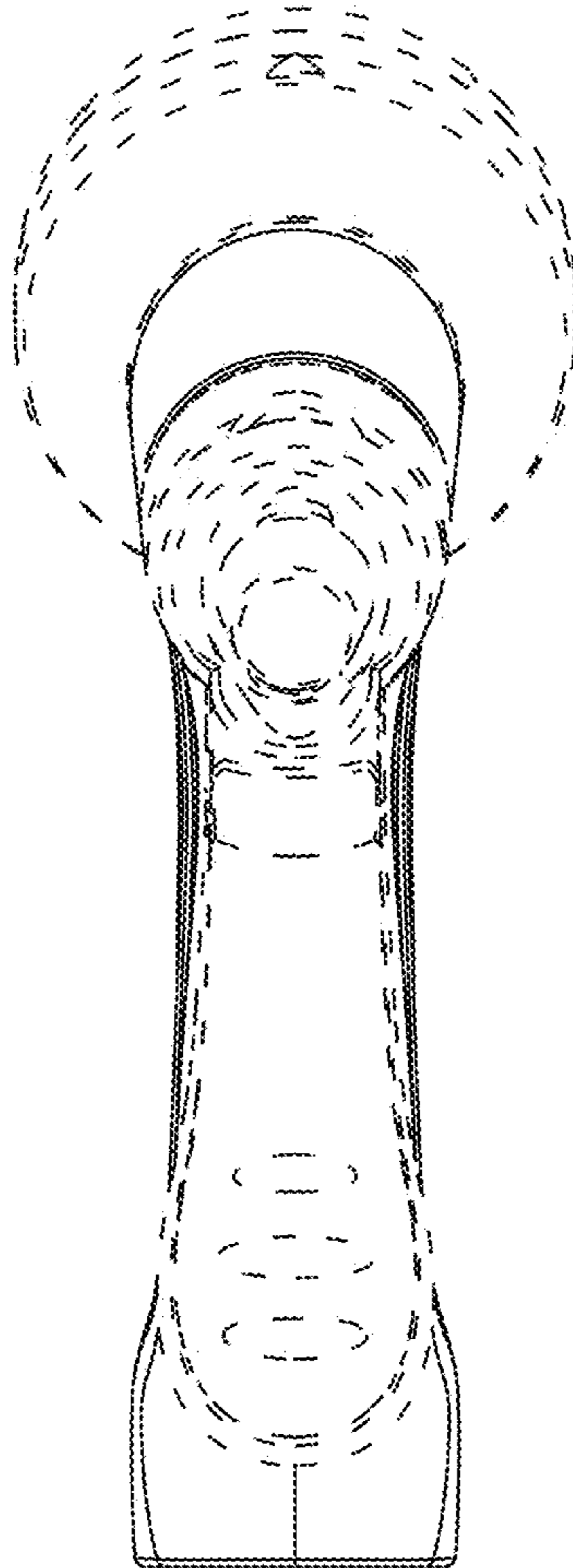


FIG 7

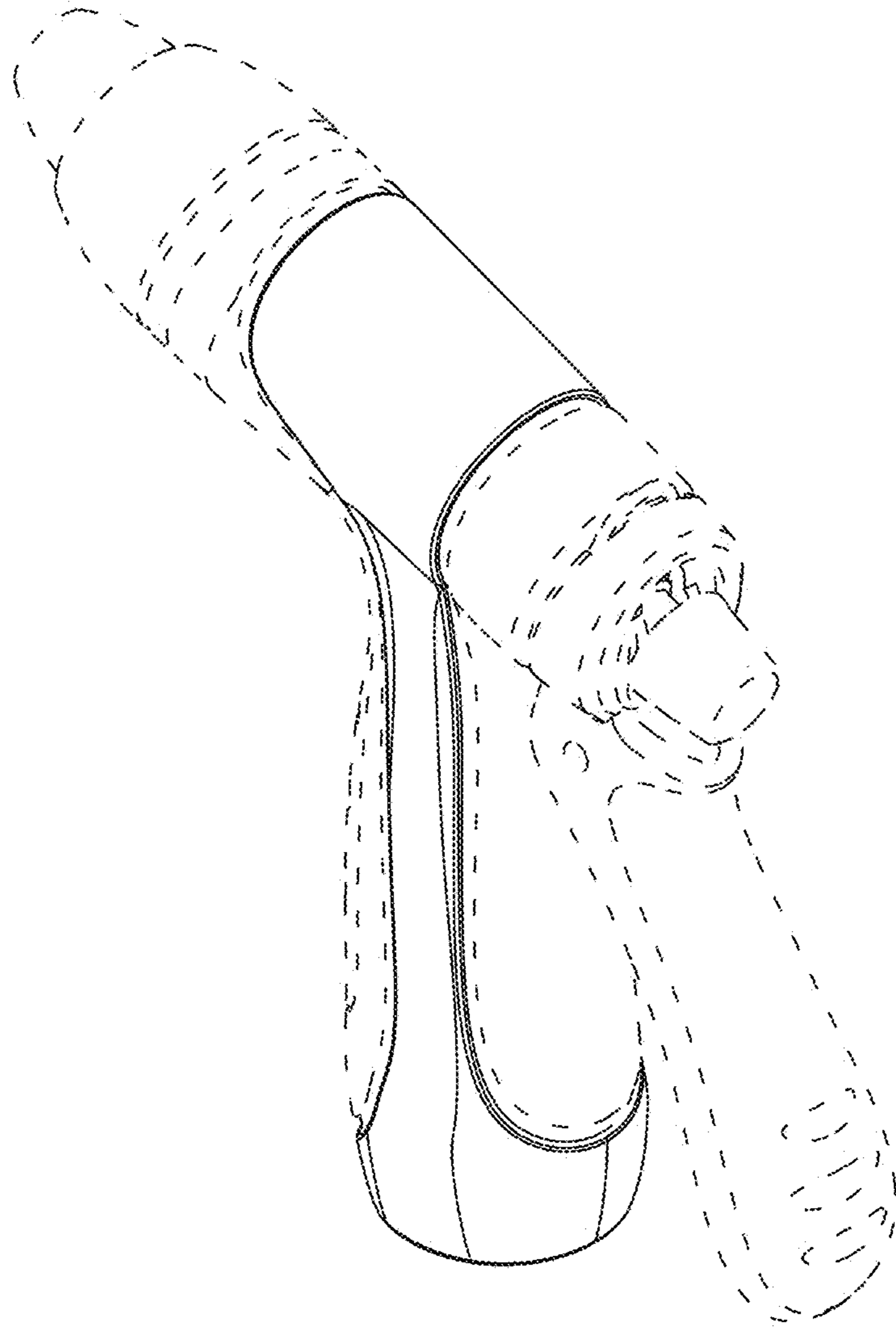


FIG 8

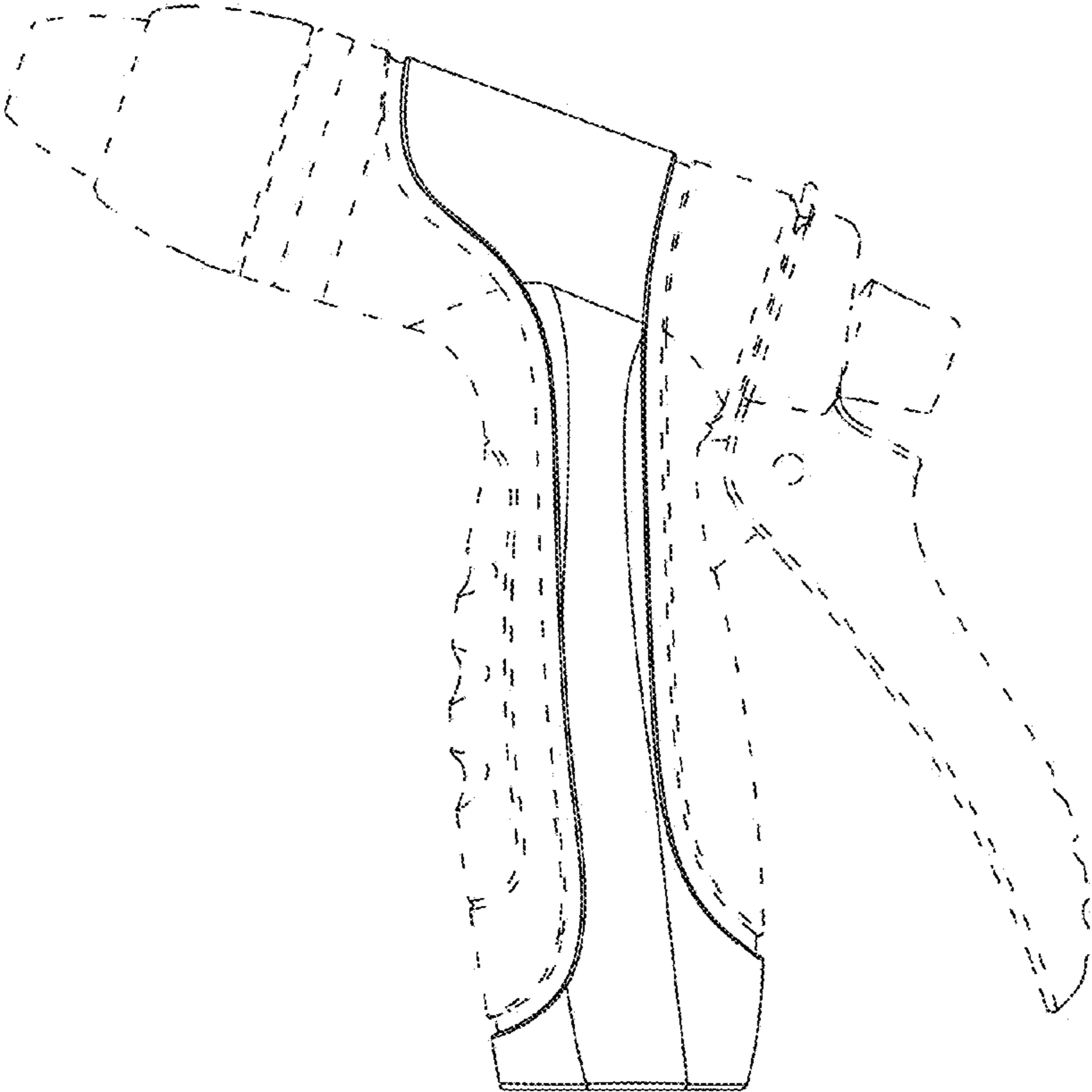


FIG 9

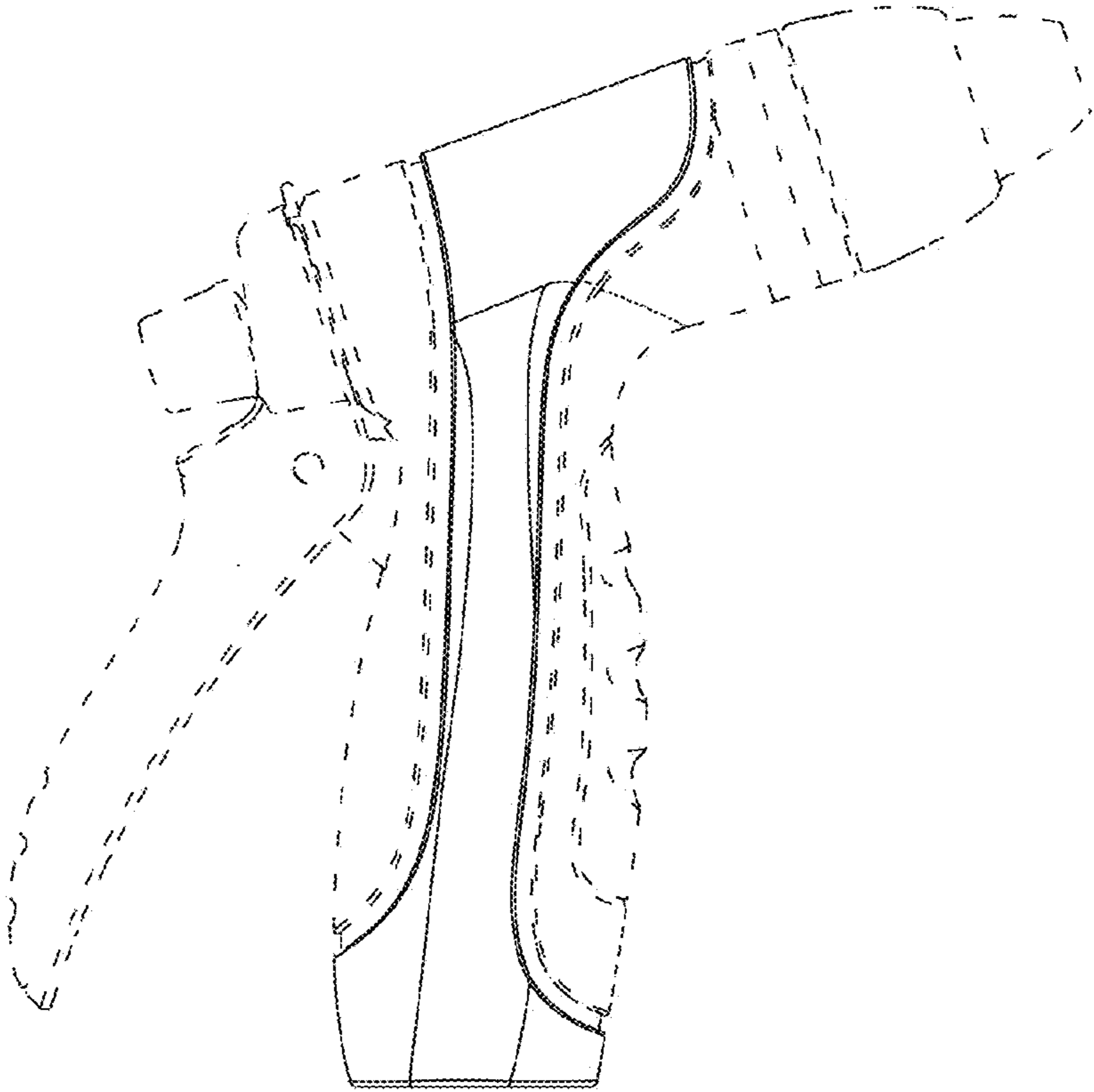


FIG 10

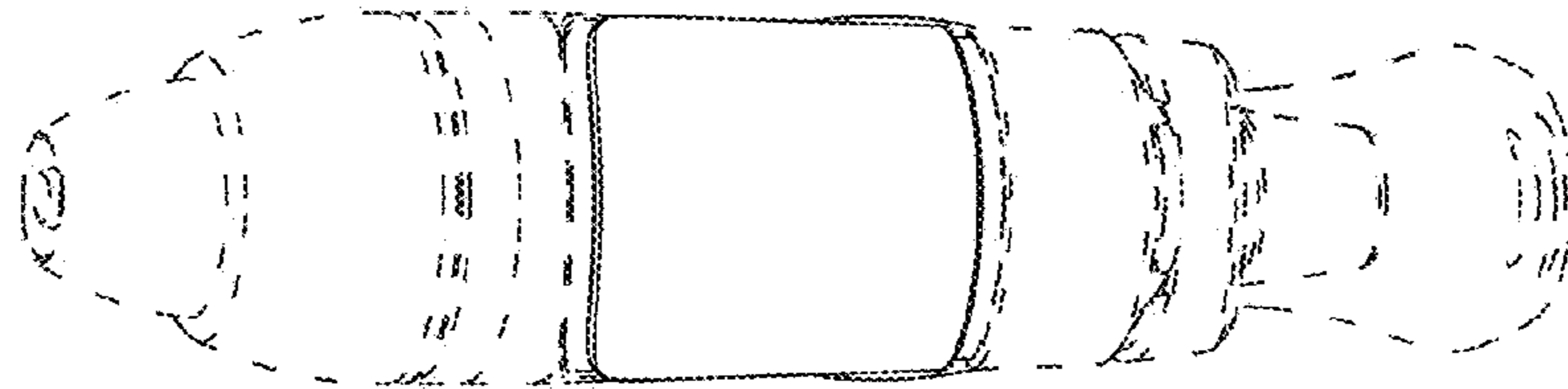


FIG 1 1

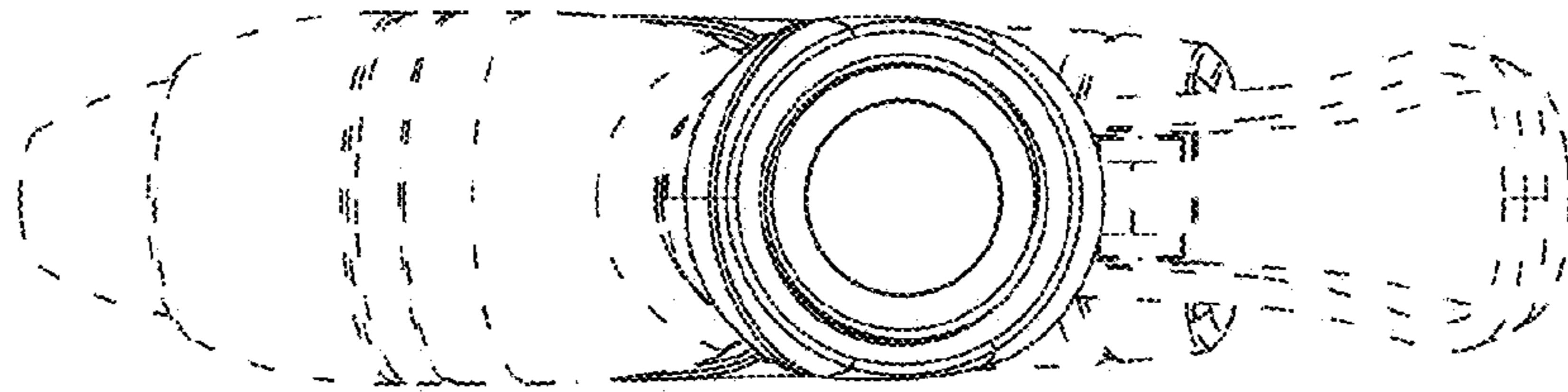


FIG 12

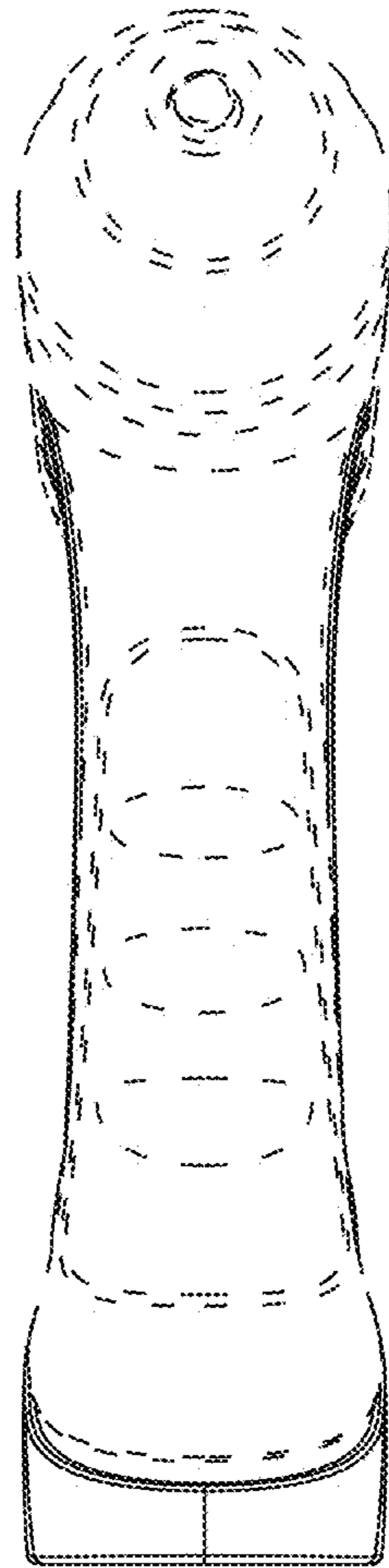


FIG 13

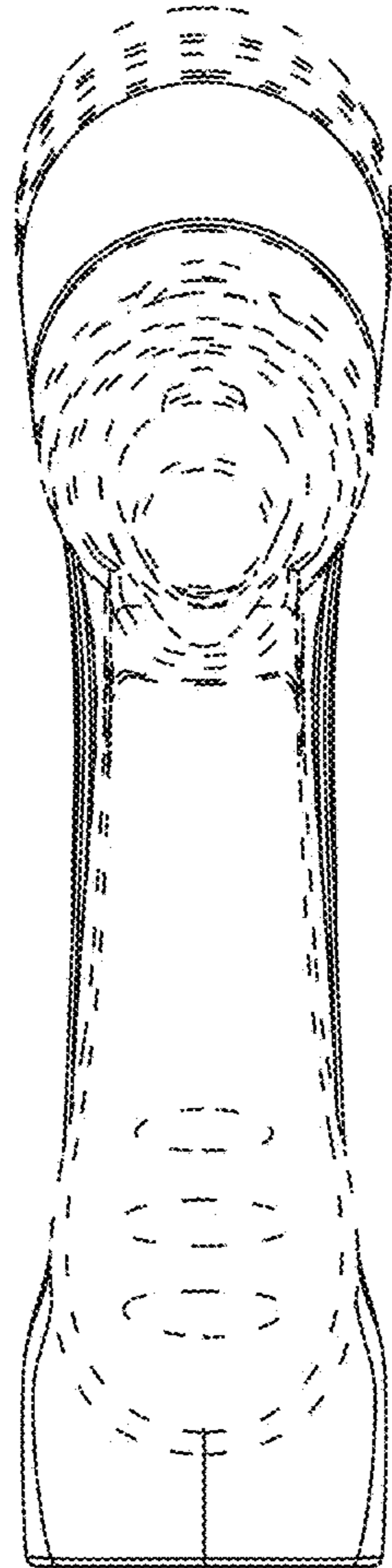


FIG 14