



US00D736349S

(12) **United States Design Patent**
Wojan

(10) **Patent No.:** **US D736,349 S**

(45) **Date of Patent:** **** Aug. 11, 2015**

(54) **HOSE NOZZLE**

(71) Applicant: **Professional Tool Products, LLC**,
Travelers Rest, SC (US)

(72) Inventor: **Richard Glenn Wojan**, Campobello, SC
(US)

(73) Assignee: **PROFESSIONAL TOOL
PRODUCTS, LLC**, Travelers Rest, SC
(US)

(**) Term: **14 Years**

(21) Appl. No.: **29/489,753**

(22) Filed: **May 2, 2014**

(51) **LOC (10) Cl.** **23-01**

(52) **U.S. Cl.**
USPC **D23/223**

(58) **Field of Classification Search**
USPC D23/213, 223, 226; 239/456, 459,
239/525-6

See application file for complete search history.

(56) **References Cited**

U.S. PATENT DOCUMENTS

3,093,318	A *	6/1963	Chow	239/456
3,387,791	A *	6/1968	Allenbaugh, Jr.	239/458
4,469,279	A *	9/1984	Allenbaugh, Jr.	239/453
D456,488	S	4/2002	Bonzer	
D469,503	S	1/2003	Liang	
D473,284	S	4/2003	Pong	

D473,286	S	4/2003	Bonzer	
D479,573	S	9/2003	Chen	
D482,428	S	11/2003	Fulwider	
7,240,858	B2 *	7/2007	Wang	239/526
D658,268	S	4/2012	Bonzer	
D677,362	S *	3/2013	Christopher	D23/223
D690,798	S	10/2013	Bonzer	
8,794,546	B2	8/2014	Eley et al.	

* cited by examiner

Primary Examiner — Robin V Webster

(74) *Attorney, Agent, or Firm* — J. Bennett Mullinax, LLC

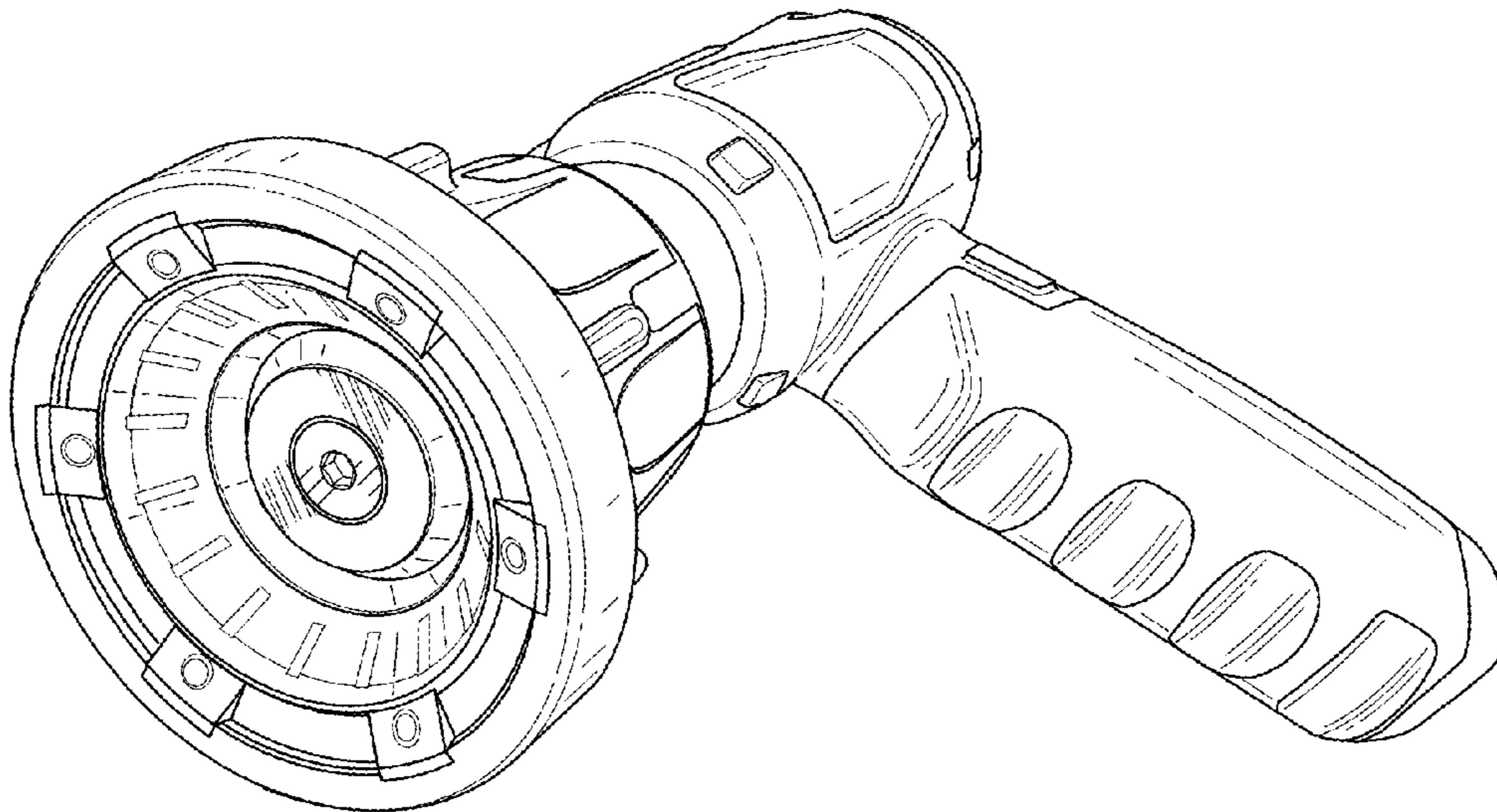
(57) **CLAIM**

The ornamental design for a hose nozzle, as shown and described.

DESCRIPTION

FIG. 1 is a front perspective view of the hose nozzle box according to a first embodiment of the present design; FIG. 2 is a front view of the hose nozzle as shown in FIG. 1; FIG. 3 is a rear view of the hose nozzle as shown in FIG. 1; FIG. 4 is a left side view of the hose nozzle as shown in FIG. 1; FIG. 5 is a right side view of the hose nozzle as shown in FIG. 1; FIG. 6 is a bottom view of the hose nozzle as shown in FIG. 1; and, FIG. 7 is a top view of the hose nozzle as shown in FIG. 1. The broken lines shown in the drawing disclosure are for illustrative purposes only and form no part of the claimed design.

1 Claim, 5 Drawing Sheets



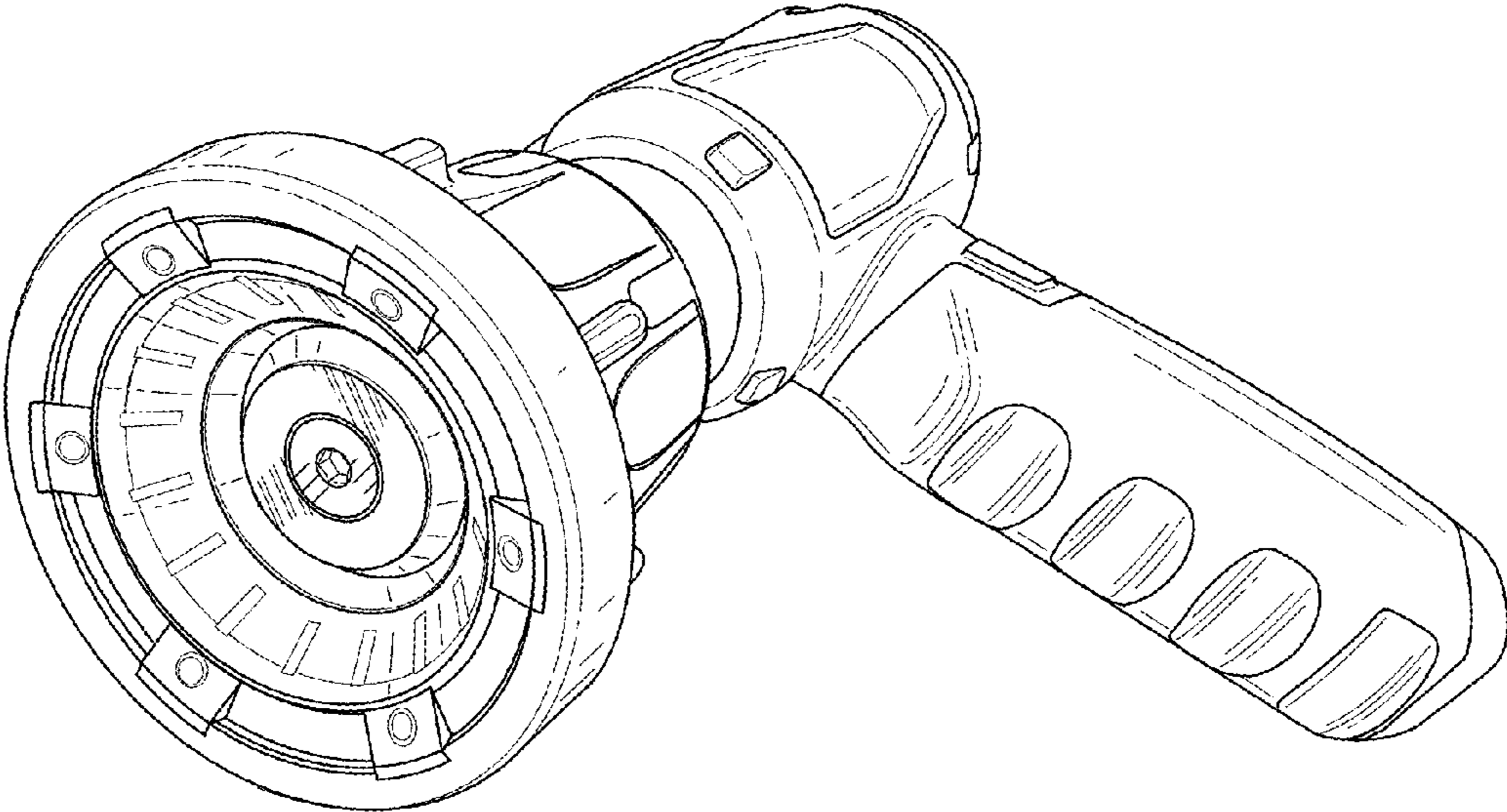


FIG. 1

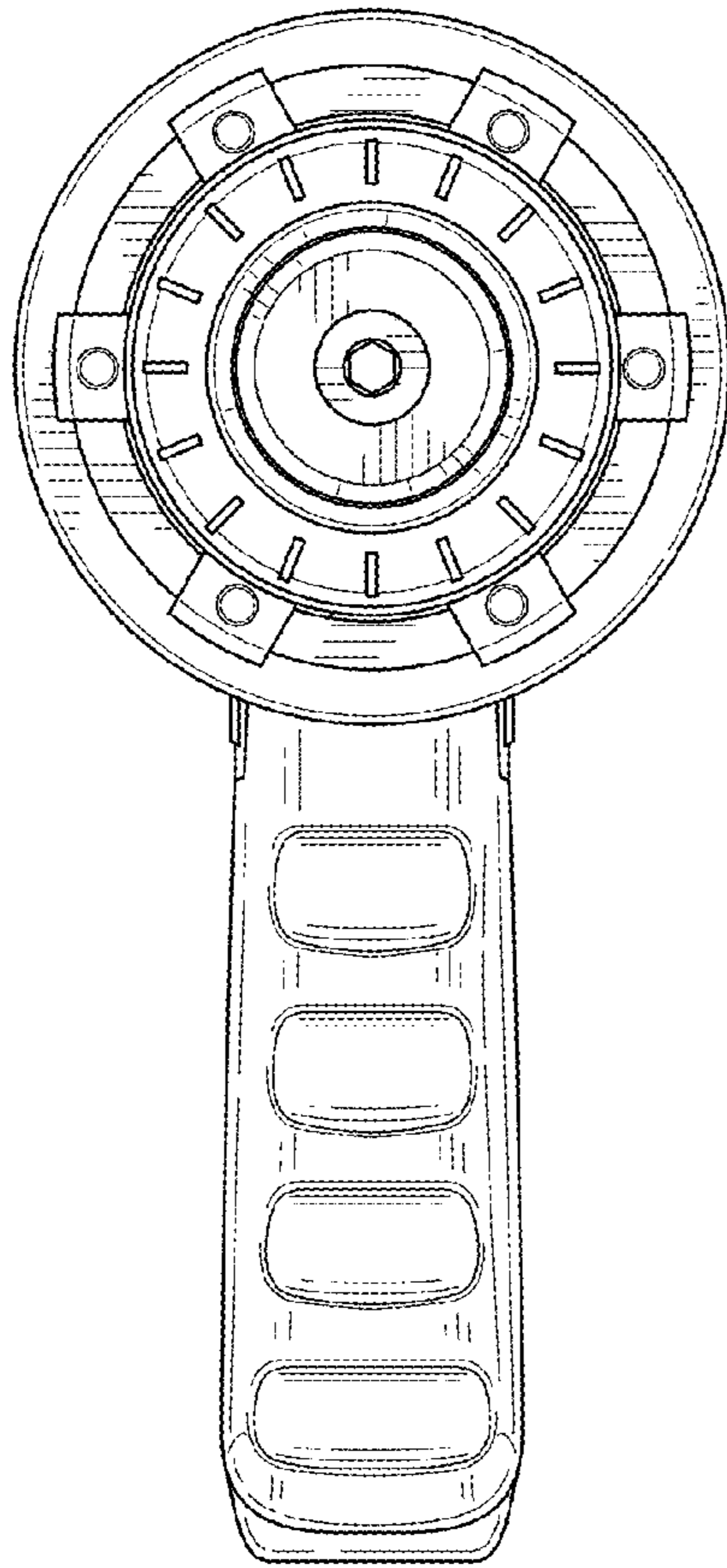


FIG. 2

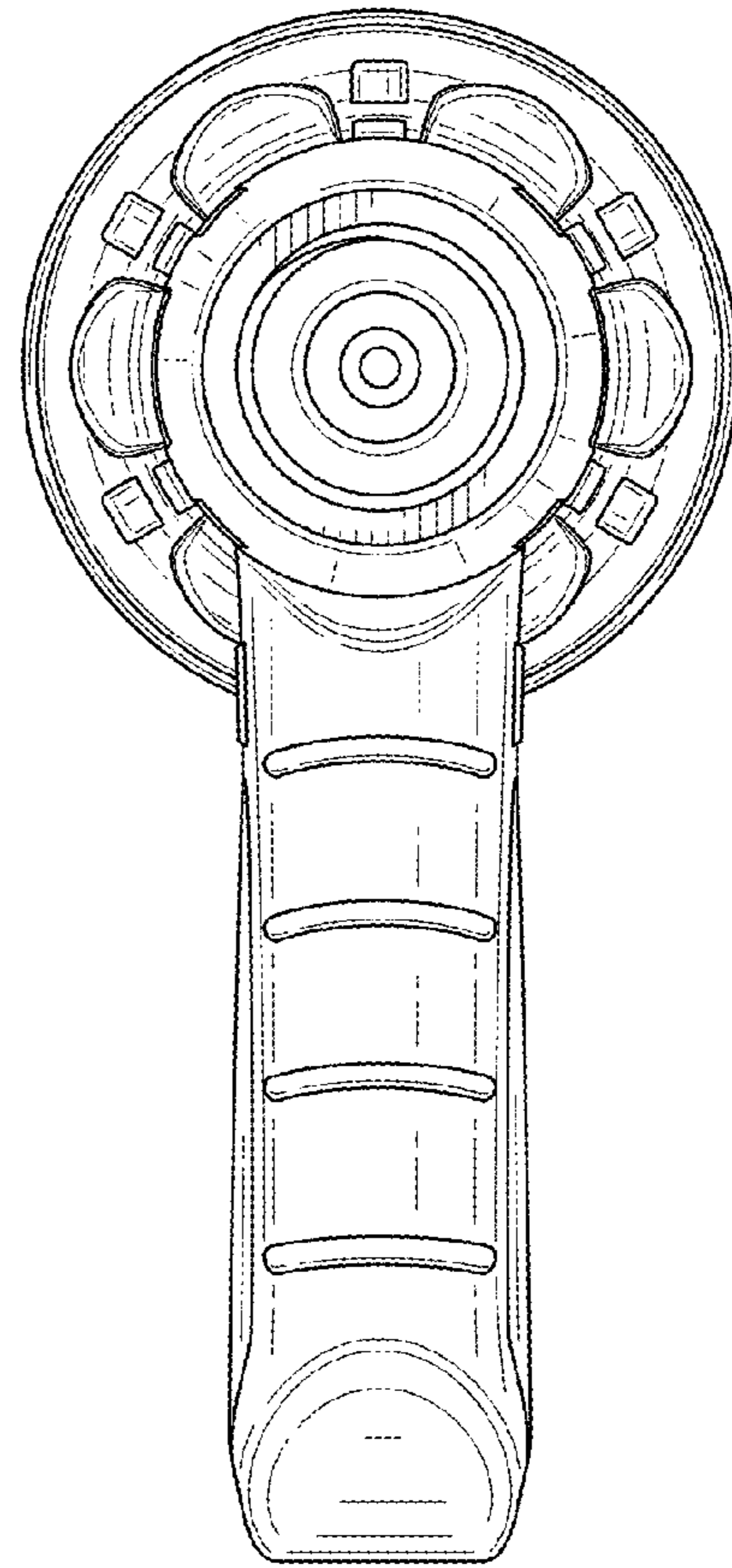


FIG. 3

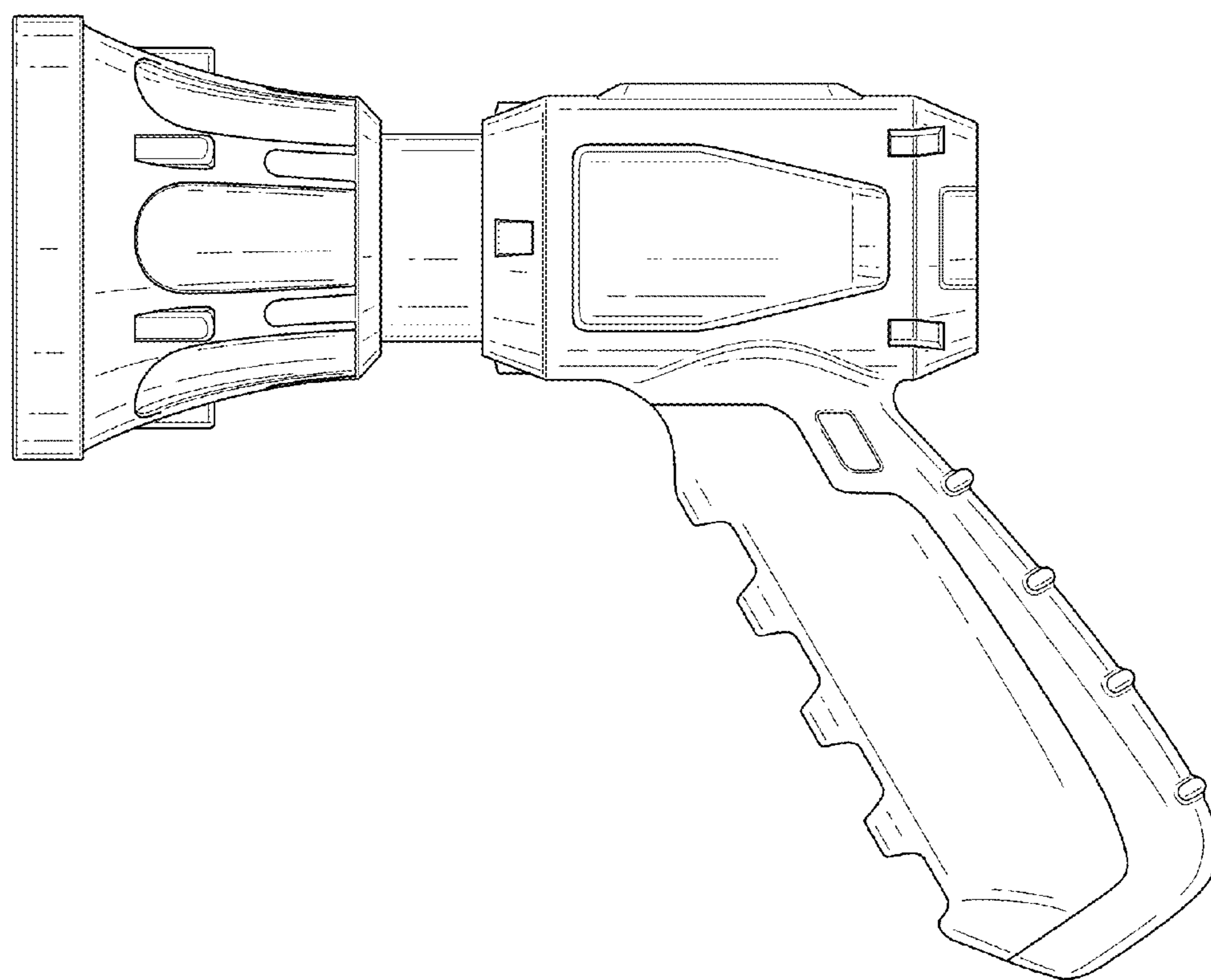


FIG. 4

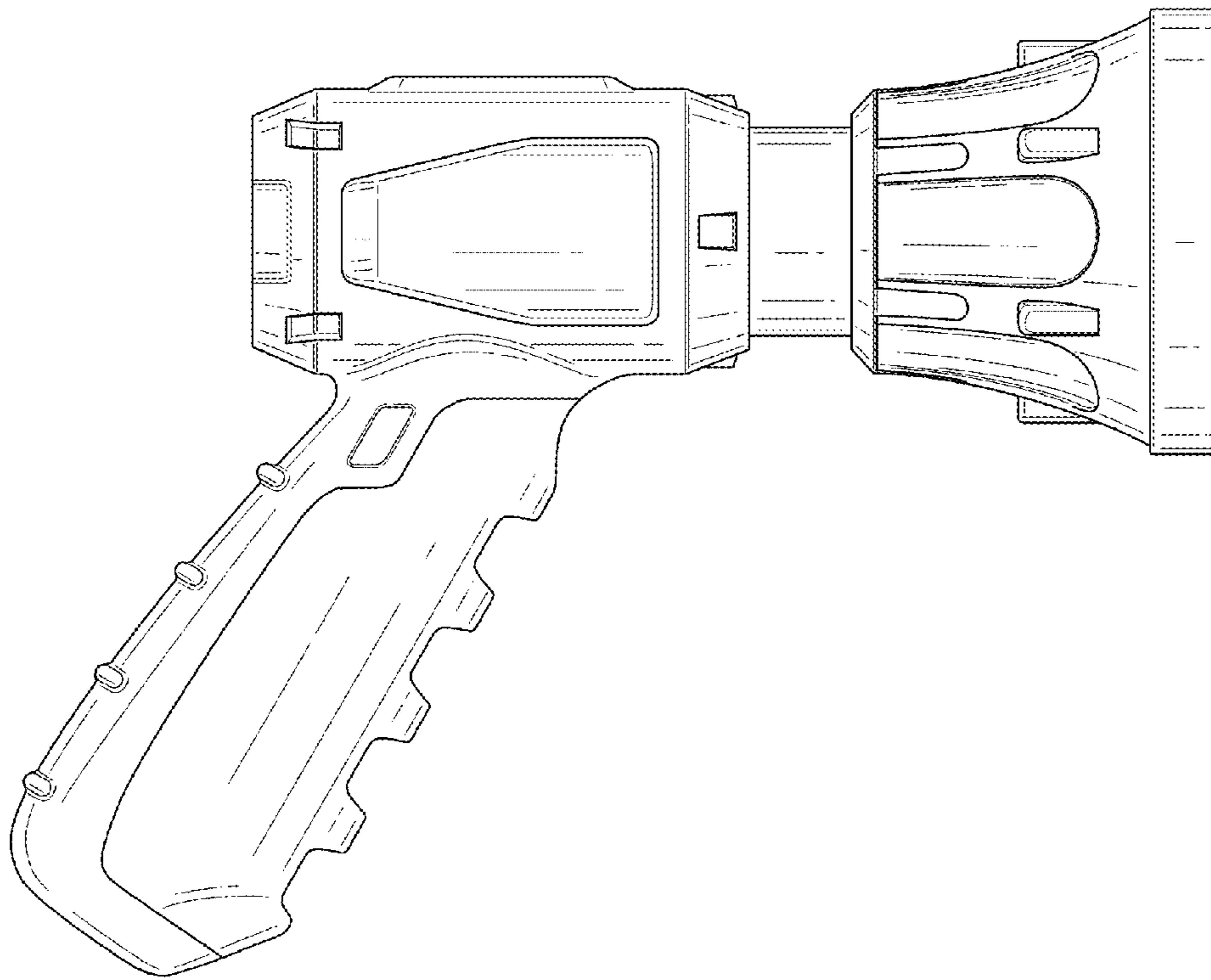


FIG. 5

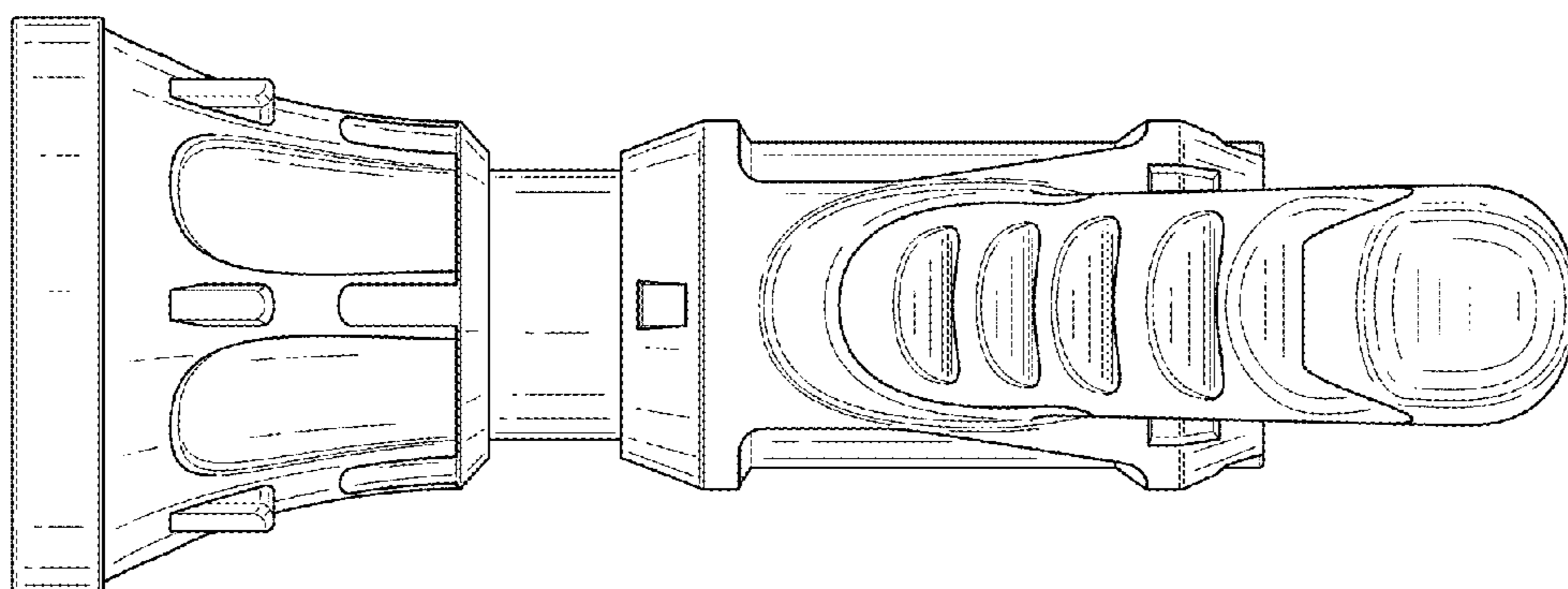


FIG. 6

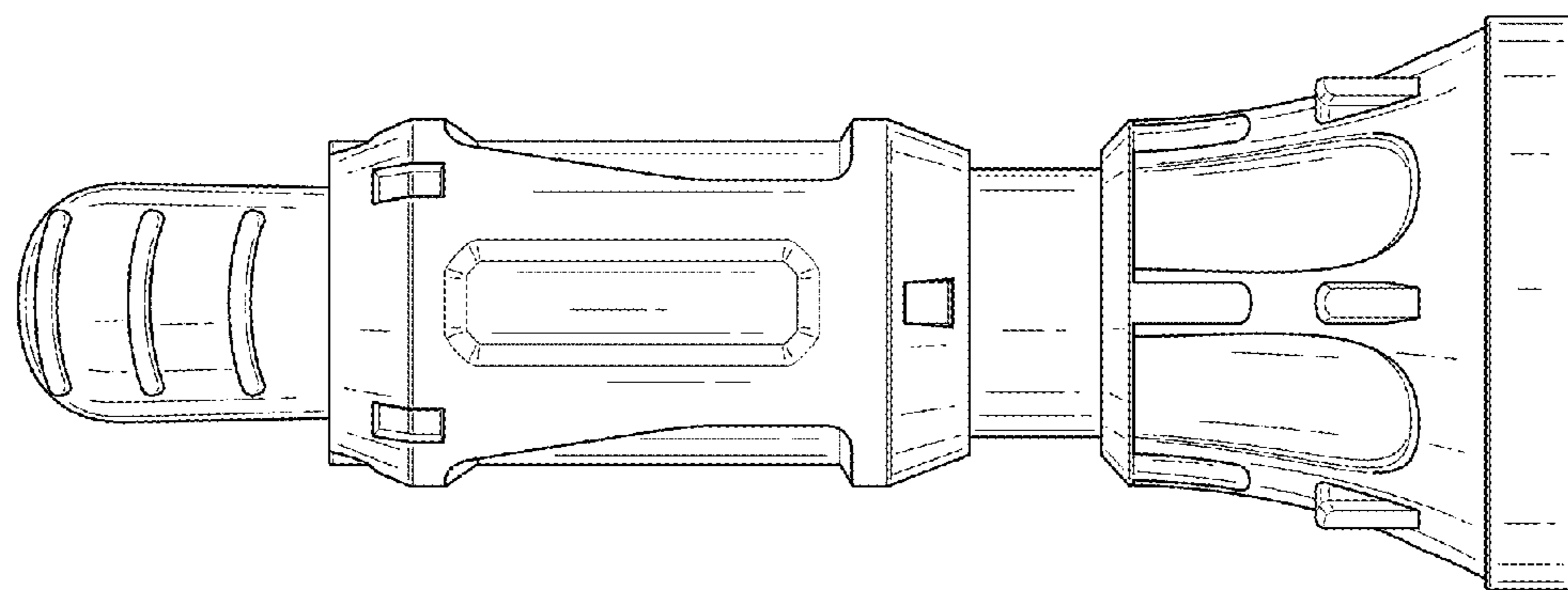


FIG. 7