



US00D736347S

(12) **United States Design Patent**  
**Tan**

(10) **Patent No.:** **US D736,347 S**

(45) **Date of Patent:** **\*\* Aug. 11, 2015**

(54) **SPRAY HEAD FOR A SHOWER**

(56) **References Cited**

(71) Applicant: **Jiangmen Triumph Rain Showers Co., LTD**, Jiangmen, Guangdong Province (CN)

U.S. PATENT DOCUMENTS

D627,429	S	*	11/2010	Gessi	.....	D23/213
D639,384	S	*	6/2011	Flowers et al.	.....	D23/213
D639,385	S	*	6/2011	Flowers et al.	.....	D23/213
D694,357	S	*	11/2013	Brodey et al.	.....	D23/213
D694,359	S	*	11/2013	Schoenherr et al.	.....	D23/213
8,667,623	B2	*	3/2014	Paget	.....	4/605
8,851,398	B2	*	10/2014	Li et al.	.....	239/222.11

(72) Inventor: **Jingwen Tan**, Jiangmen (CN)

\* cited by examiner

(73) Assignee: **JIANGMEN TRIUMPH RAIN SHOWERS CO., LTD**, Jiangmen, Guangdong Province (CN)

*Primary Examiner* — Robin V Webster

(\*\*) Term: **14 Years**

(74) *Attorney, Agent, or Firm* — King & Schickli, PLLC

(21) Appl. No.: **29/495,878**

(57) **CLAIM**

The ornamental design of a spray head for a shower, as shown and described.

(22) Filed: **Jul. 7, 2014**

**DESCRIPTION**

(51) **LOC (10) Cl.** ..... **23-01**

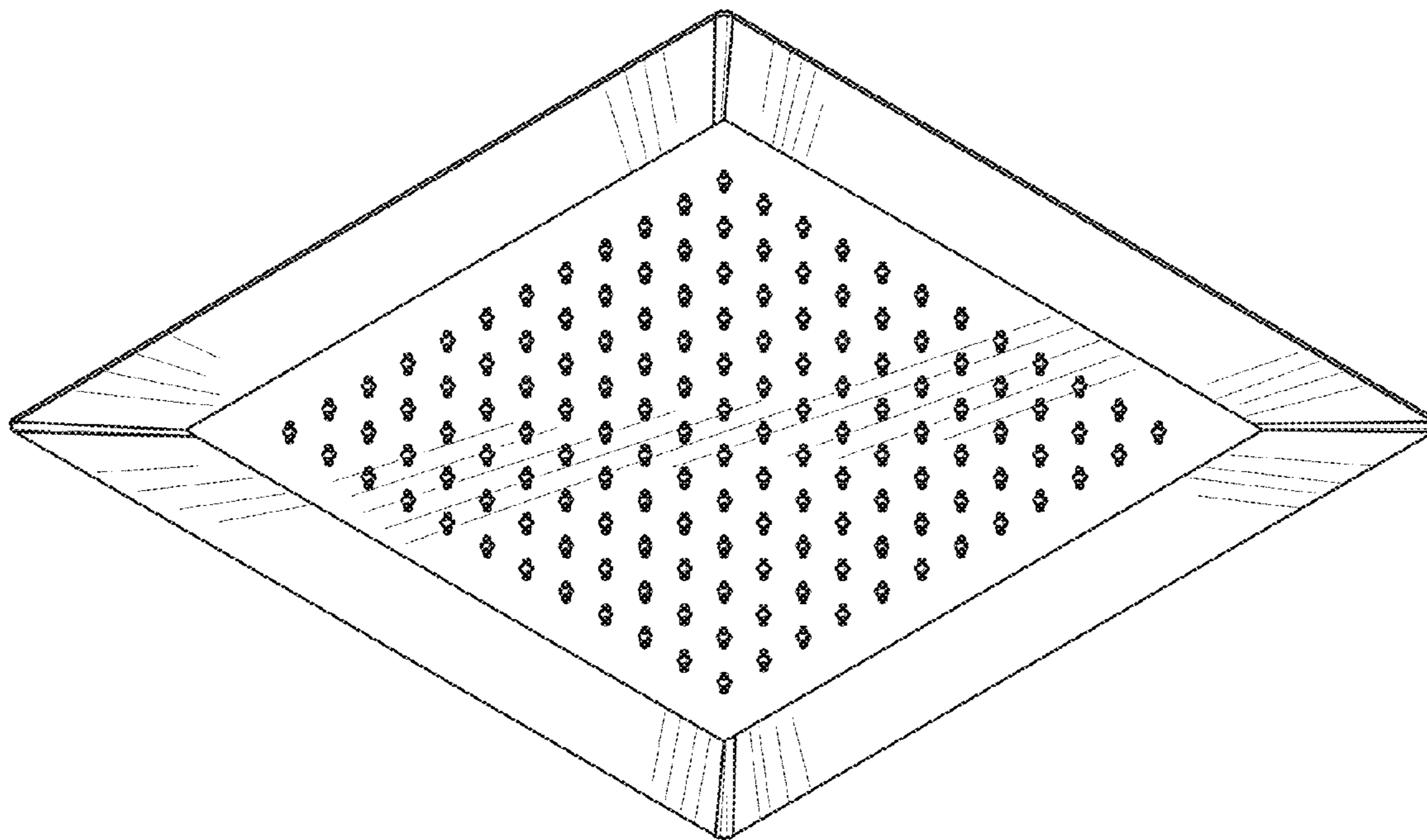
(52) **U.S. Cl.**  
USPC ..... **D23/213**

(58) **Field of Classification Search**  
USPC ..... D23/213, 223, 226, 229, 230; 239/461, 239/462, 282, 283; 4/615  
CPC ..... B05B 1/18; B05B 1/00

See application file for complete search history.

FIG. 1 is a bottom perspective view of the invention;  
FIG. 2 is an enlarged, cutaway bottom perspective view of the invention;  
FIG. 3 is a top perspective view of the invention;  
FIG. 4 is a side view of the invention;  
FIG. 5 is a top plan view of the invention; and,  
FIG. 6 is a bottom plan view of the invention.

**1 Claim, 6 Drawing Sheets**



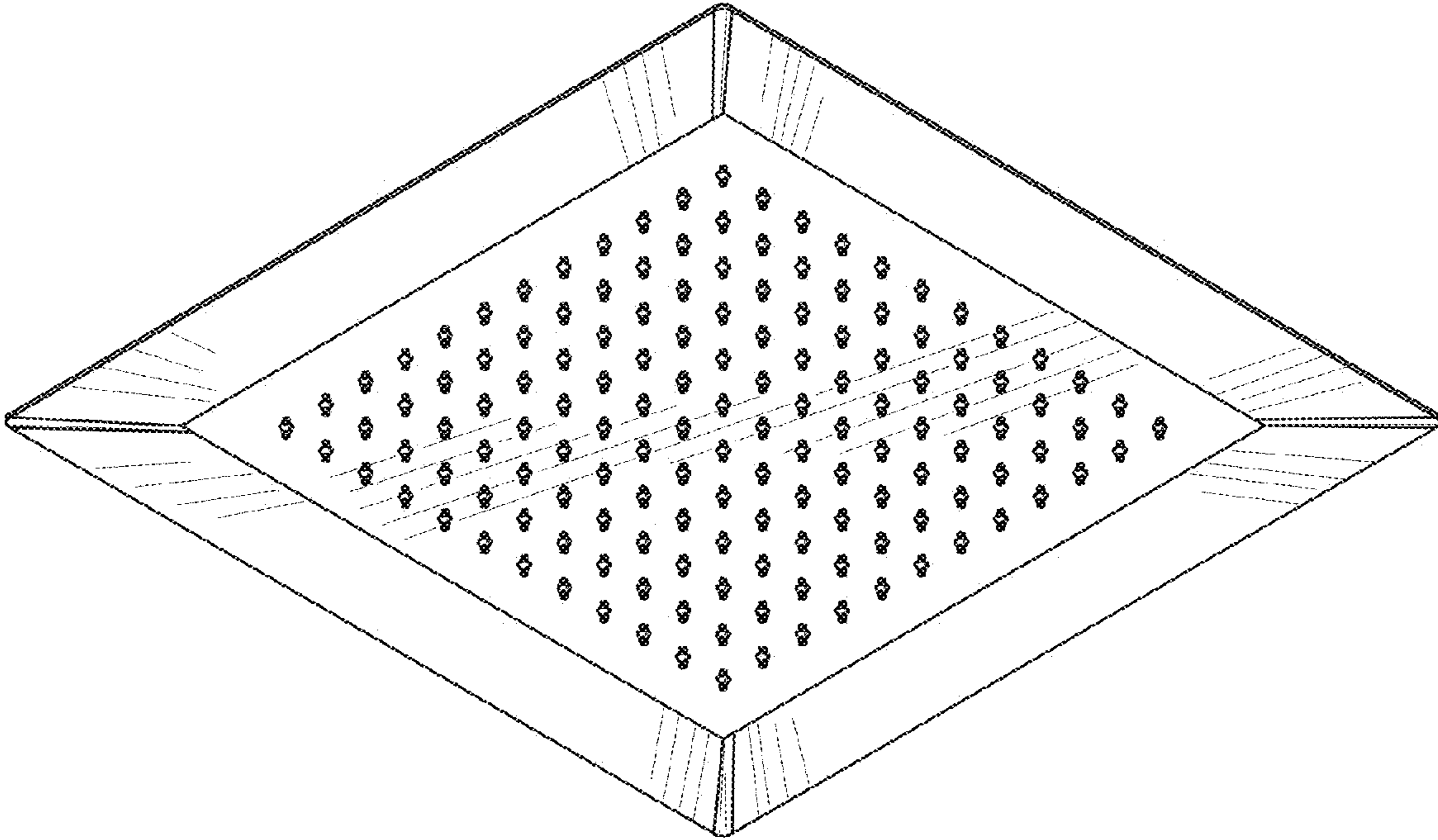


Fig. 1

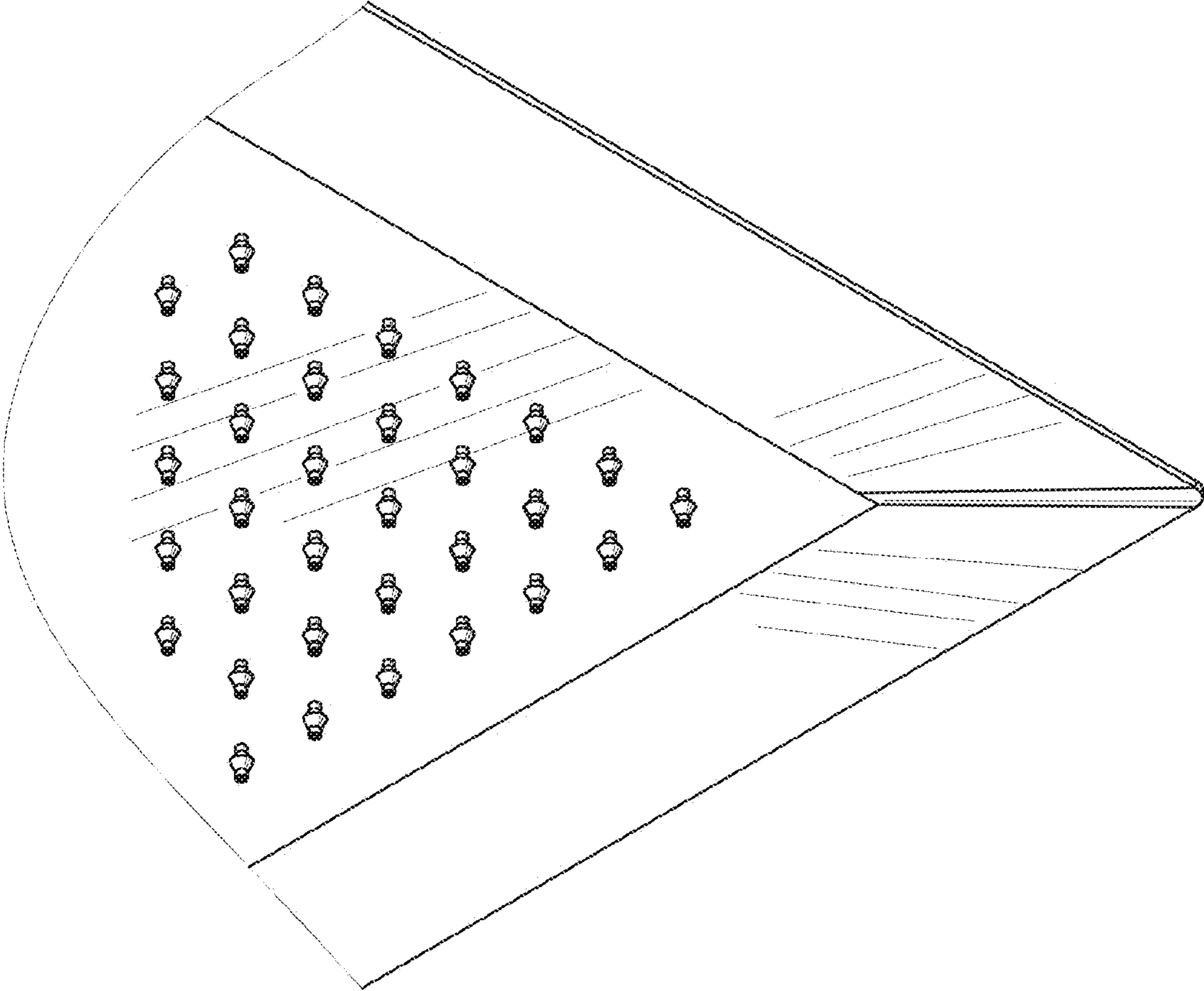


Fig.2

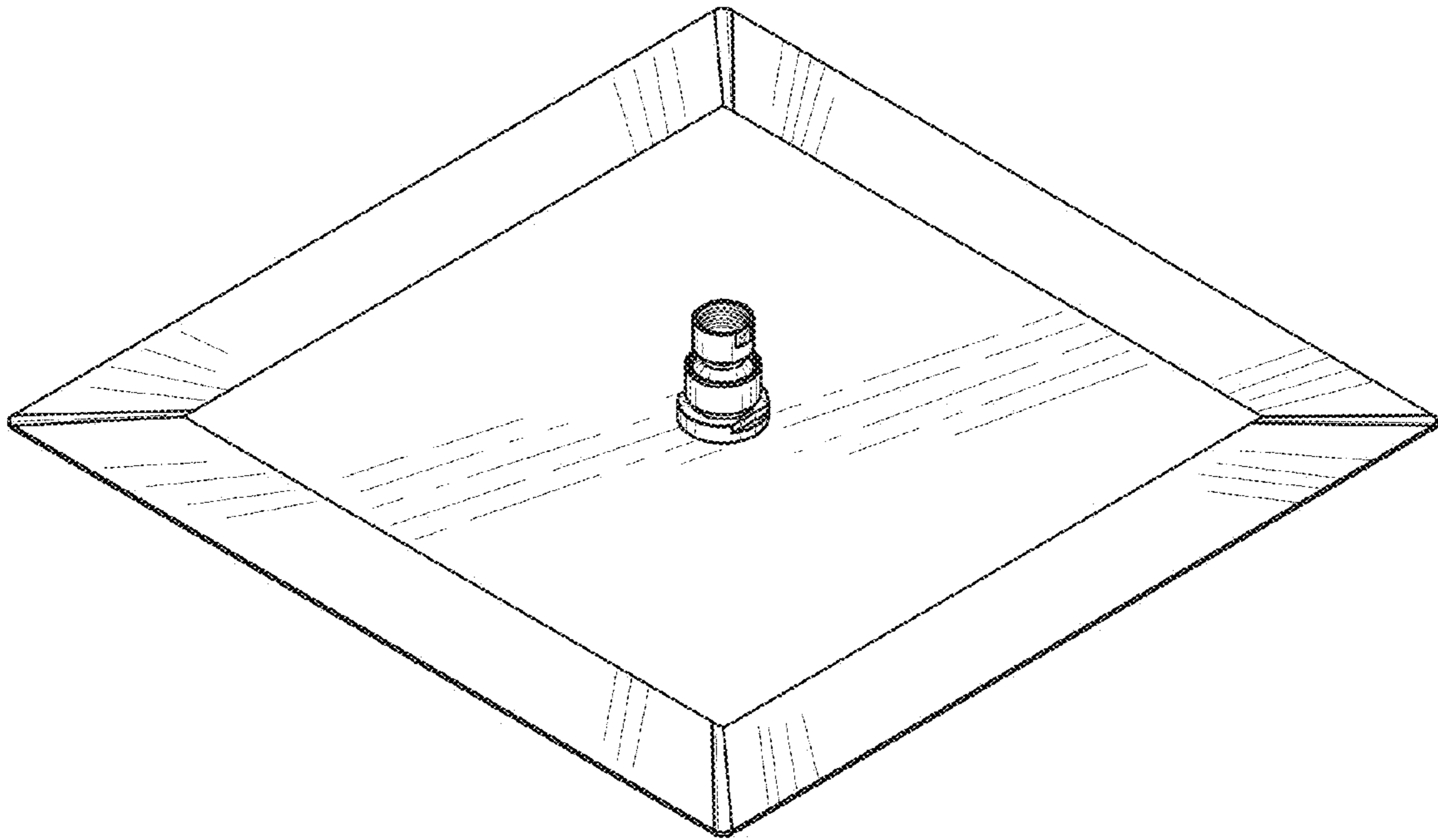


Fig.3

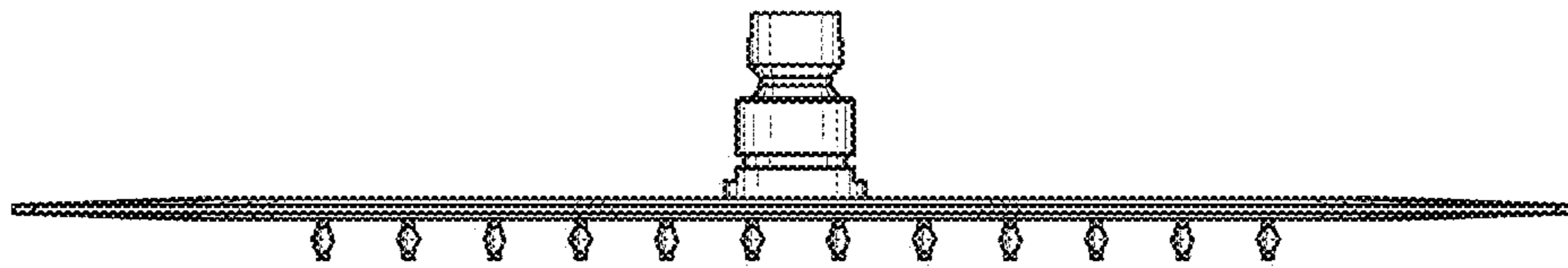


Fig.4

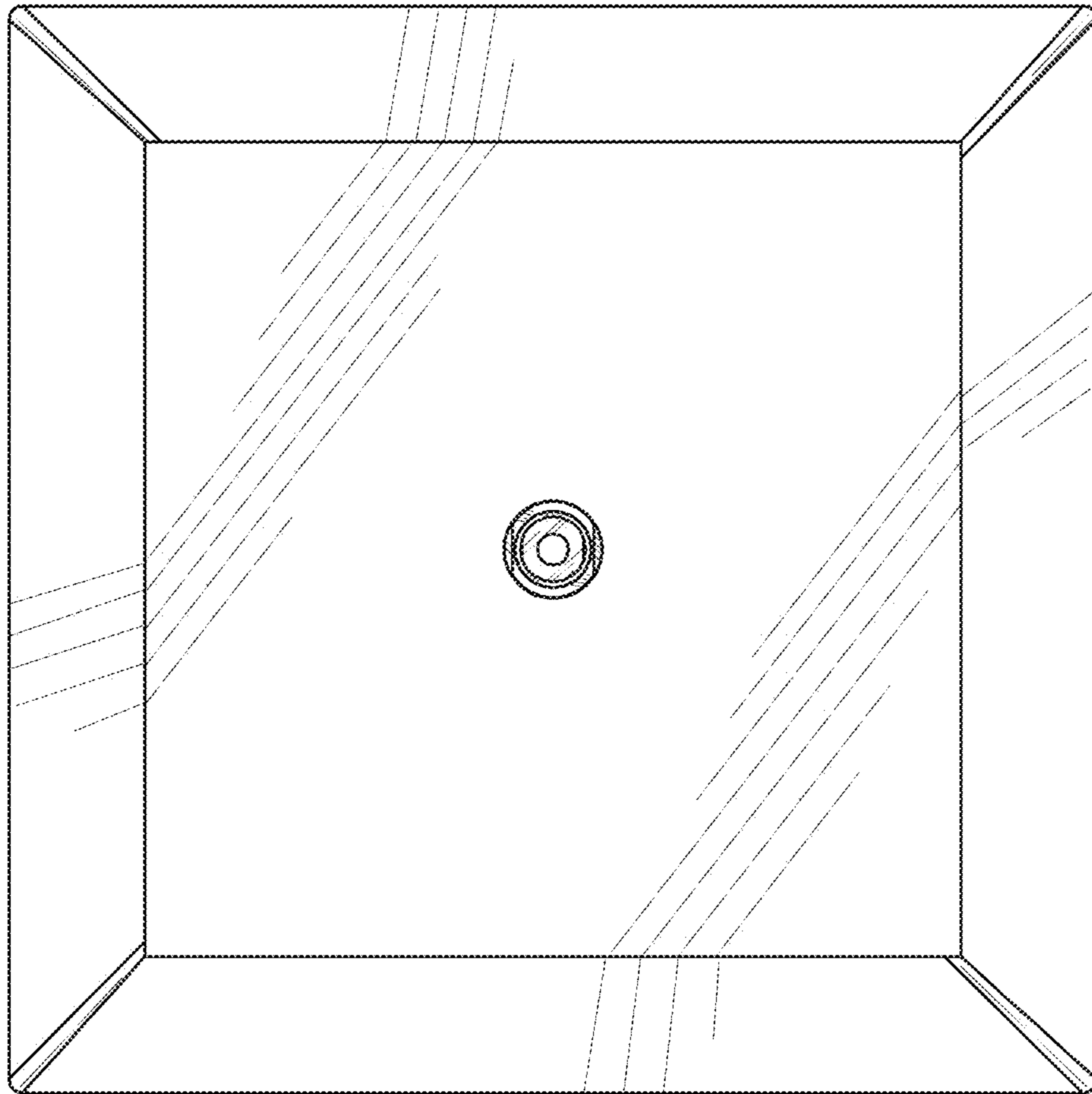


Fig.5

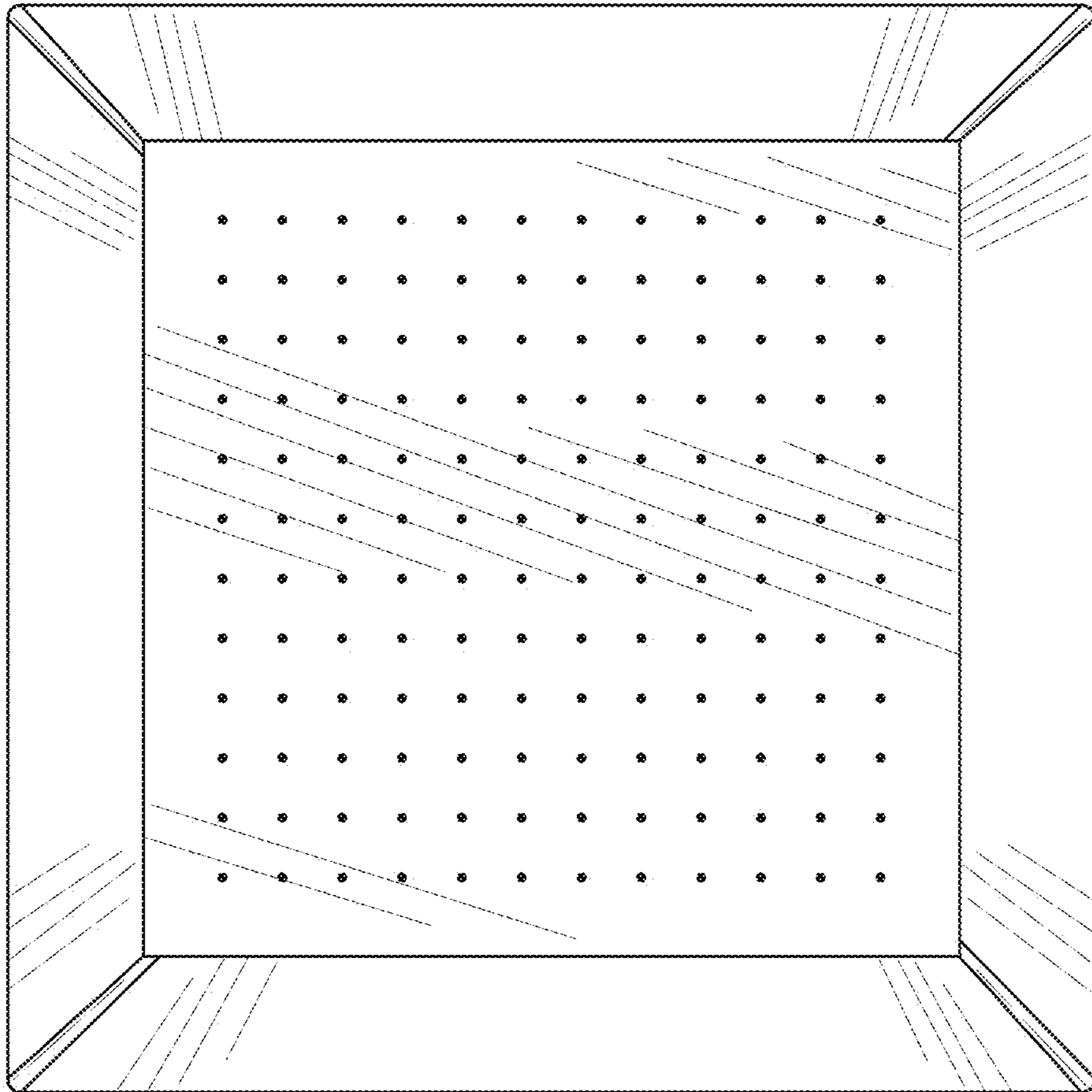


Fig.6