

US00D736346S

(12) **United States Design Patent**  
**Chen et al.**

(10) **Patent No.:** **US D736,346 S**

(45) **Date of Patent:** **\*\* Aug. 11, 2015**

(54) **STACKING WATER FILTER DISPENSER**

(71) Applicant: **Dart Industries Inc.**, Orlando, FL (US)

(72) Inventors: **Rui Yuan Chen**, Singapore (SG);  
**Alexander Muspratt-Williams**,  
Orlando, FL (US)

(73) Assignee: **Dart Industries Inc.**, Orlando, FL (US)

(\*\*) Term: **14 Years**

(21) Appl. No.: **29/484,533**

(22) Filed: **Mar. 11, 2014**

**Related U.S. Application Data**

(62) Division of application No. 29/430,394, filed on Aug. 24, 2012, now Pat. No. Des. 706,387.

(51) **LOC (10) Cl.** ..... **23-01**

(52) **U.S. Cl.**  
USPC ..... **D23/209**

(58) **Field of Classification Search**  
USPC ..... D23/207, 209; 210/241, 232, 435;  
D3/392.1, 302, 323  
See application file for complete search history.

(56) **References Cited**

**U.S. PATENT DOCUMENTS**

- D355,241 S 2/1995 Zylstra et al.
- D379,133 S \* 5/1997 Ahern et al. .... D7/392.1
- 5,830,360 A 11/1998 Mozayeni
- D459,941 S \* 7/2002 Miller ..... D7/392
- 6,651,824 B2 11/2003 Miller

- D486,883 S 2/2004 O'Loughlin
- D596,454 S \* 7/2009 de Groote ..... D7/392.1
- D632,759 S 2/2011 Chen
- D634,399 S 3/2011 Palmer et al.
- D666,272 S \* 8/2012 Shi et al. .... D23/207
- D667,924 S \* 9/2012 Gray ..... D23/209
- D686,450 S \* 7/2013 Yessin et al. .... D7/392.1
- D694,062 S \* 11/2013 Andres et al. .... D7/392.1
- D716,603 S \* 11/2014 Yessin et al. .... D7/391

**OTHER PUBLICATIONS**

Tupperware® Divided Lunch Box; 2009 (2 pages).

\* cited by examiner

*Primary Examiner* — Robin V Webster

(74) *Attorney, Agent, or Firm* — Taylor J. Ross

(57) **CLAIM**

The ornamental design for a stacking water filter dispenser, as shown and described.

**DESCRIPTION**

FIG. 1 is a top, side and front elevation view of a stacking water filter dispenser showing our new design;  
 FIG. 2 is a top plan view thereof;  
 FIG. 3 is a bottom plan view thereof;  
 FIG. 4 is a right side elevation view, the left side elevation being identical thereto;  
 FIG. 5 is a front elevation view, the rear elevation being identical thereof; and,  
 FIG. 6 is a cross-sectional view taken along line 6-6 of FIG. 2. The broken lines showing a spigot and canister body are for illustrative purposes only and forms no part of the claimed design.

**1 Claim, 2 Drawing Sheets**





FIG. 1

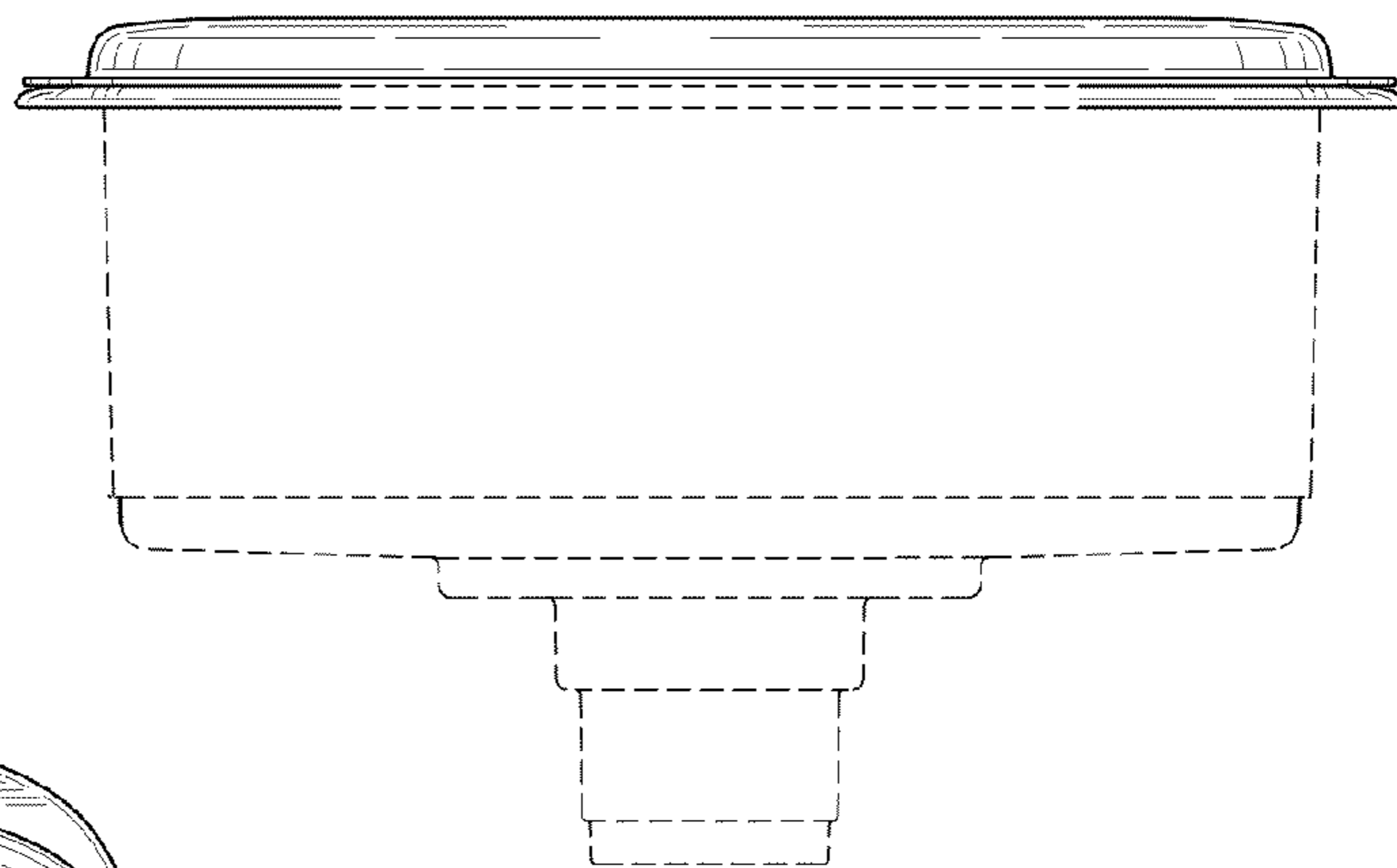


FIG. 4

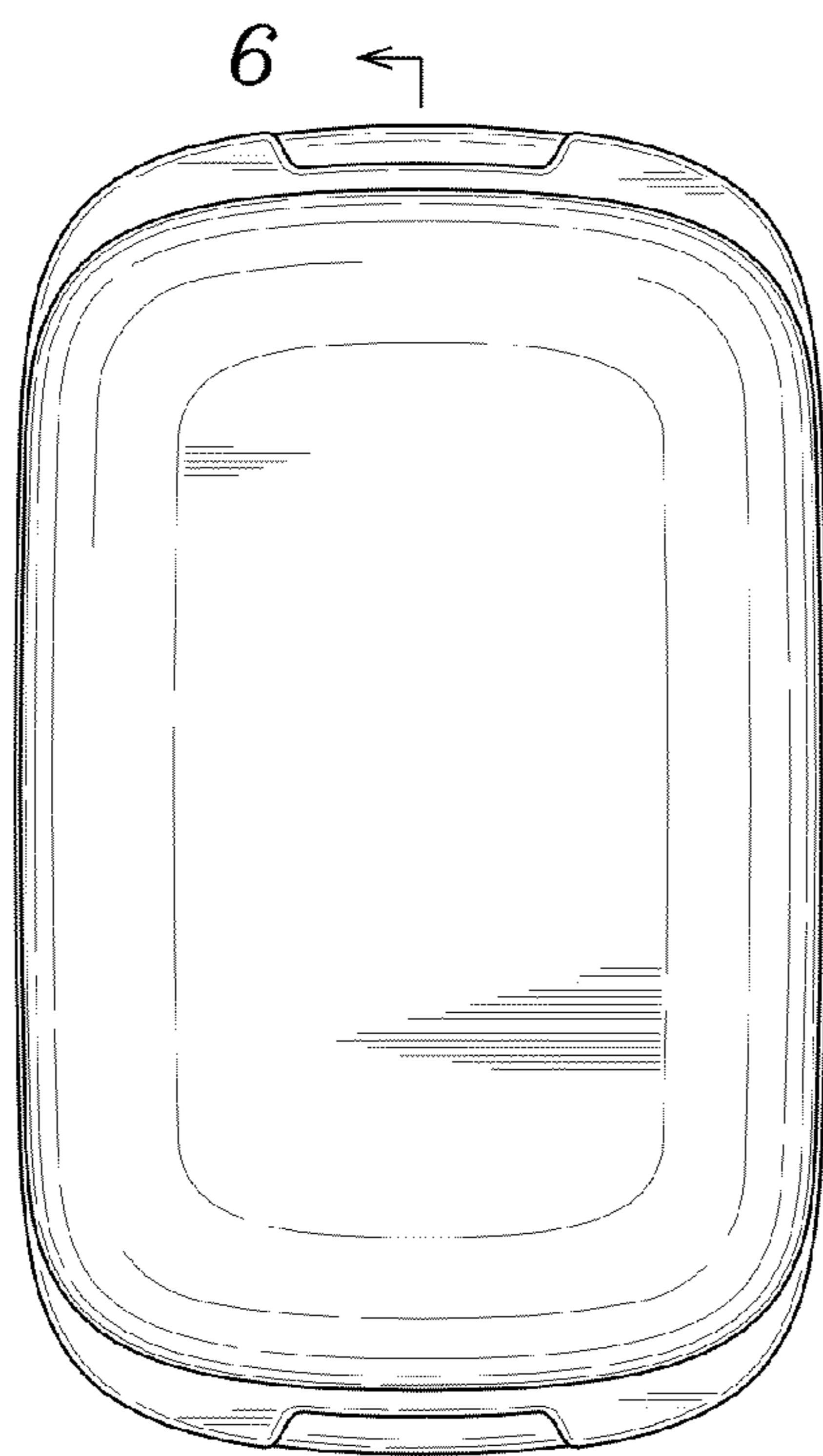


FIG. 2

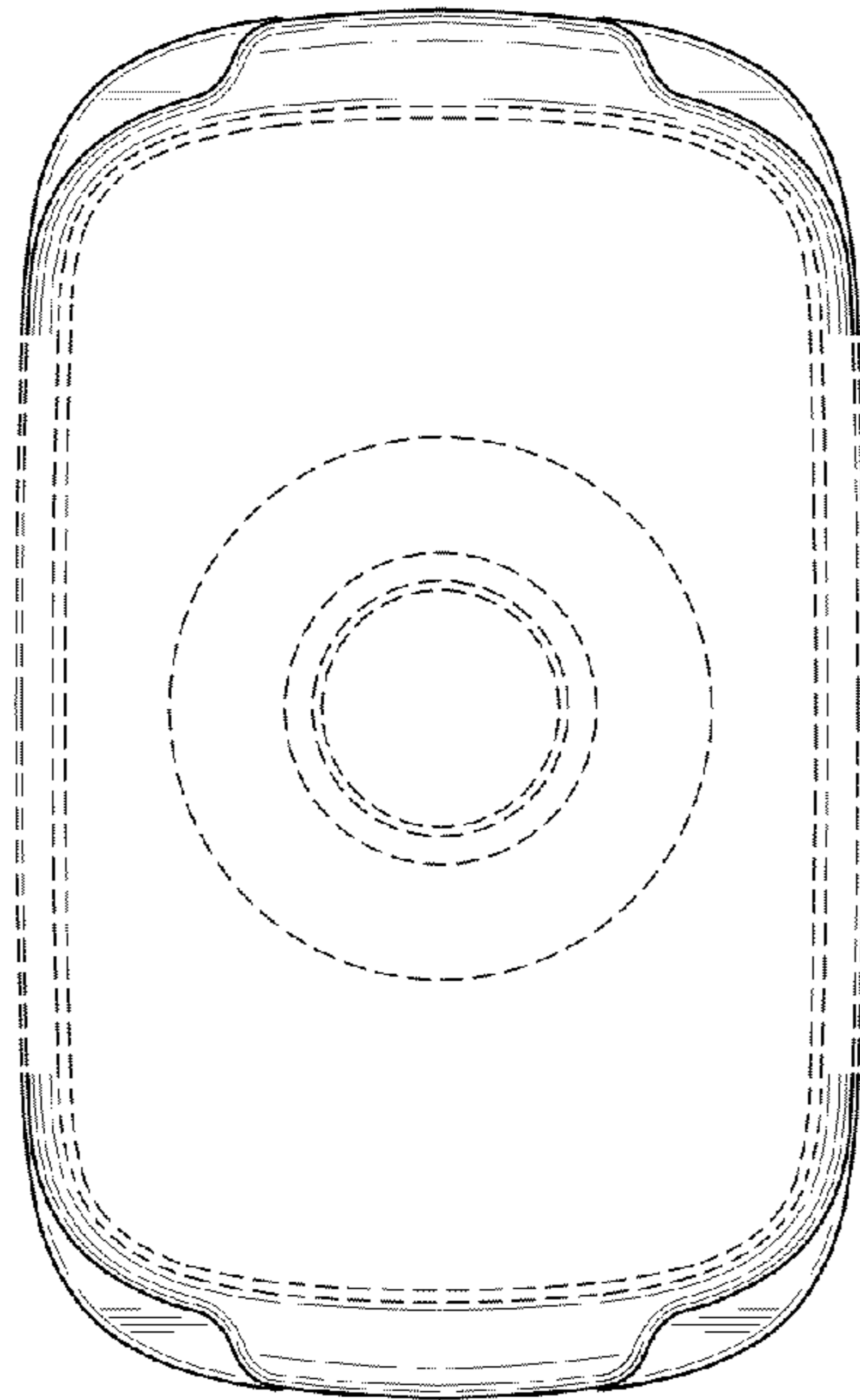


FIG. 3

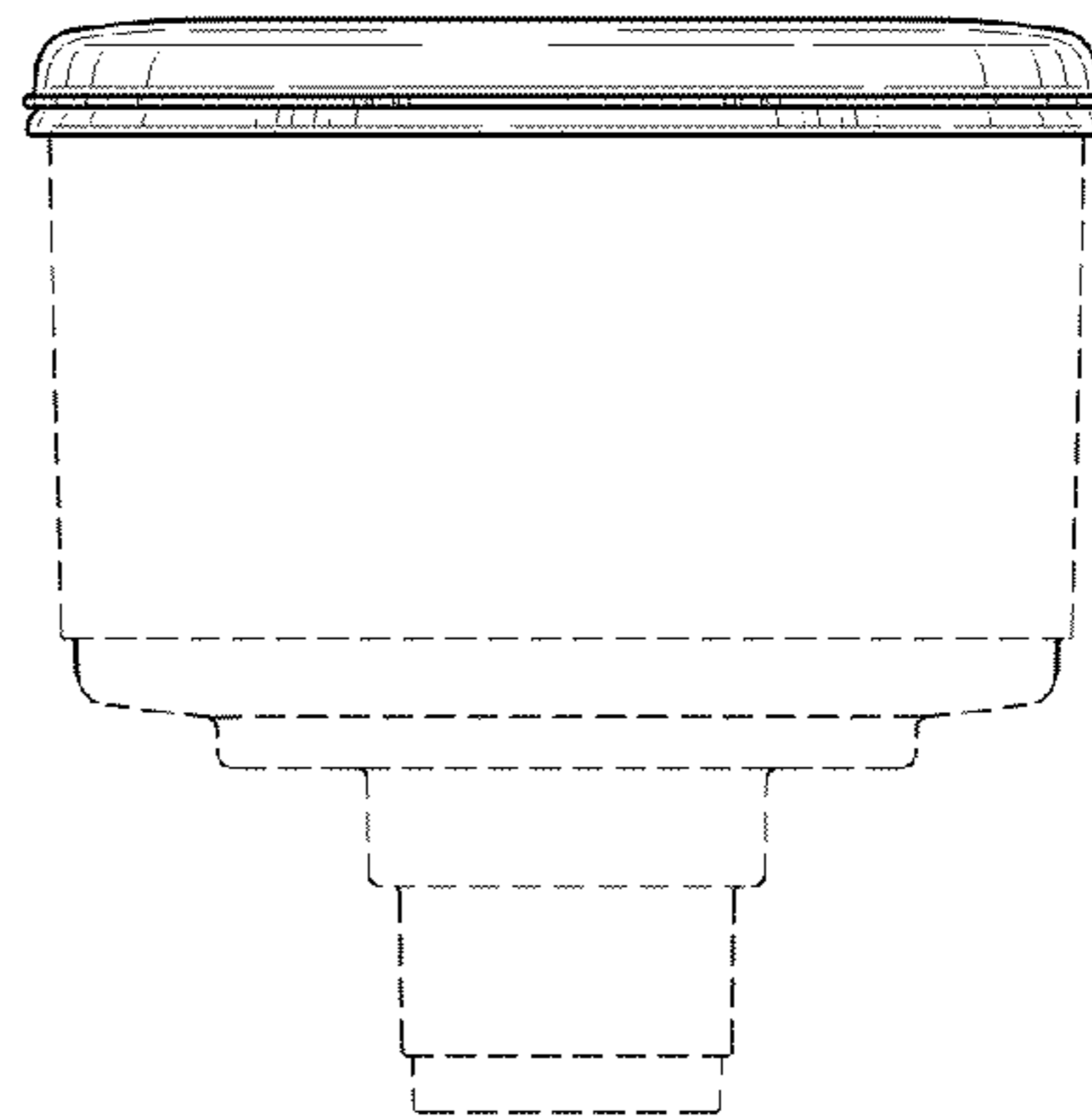


FIG. 5

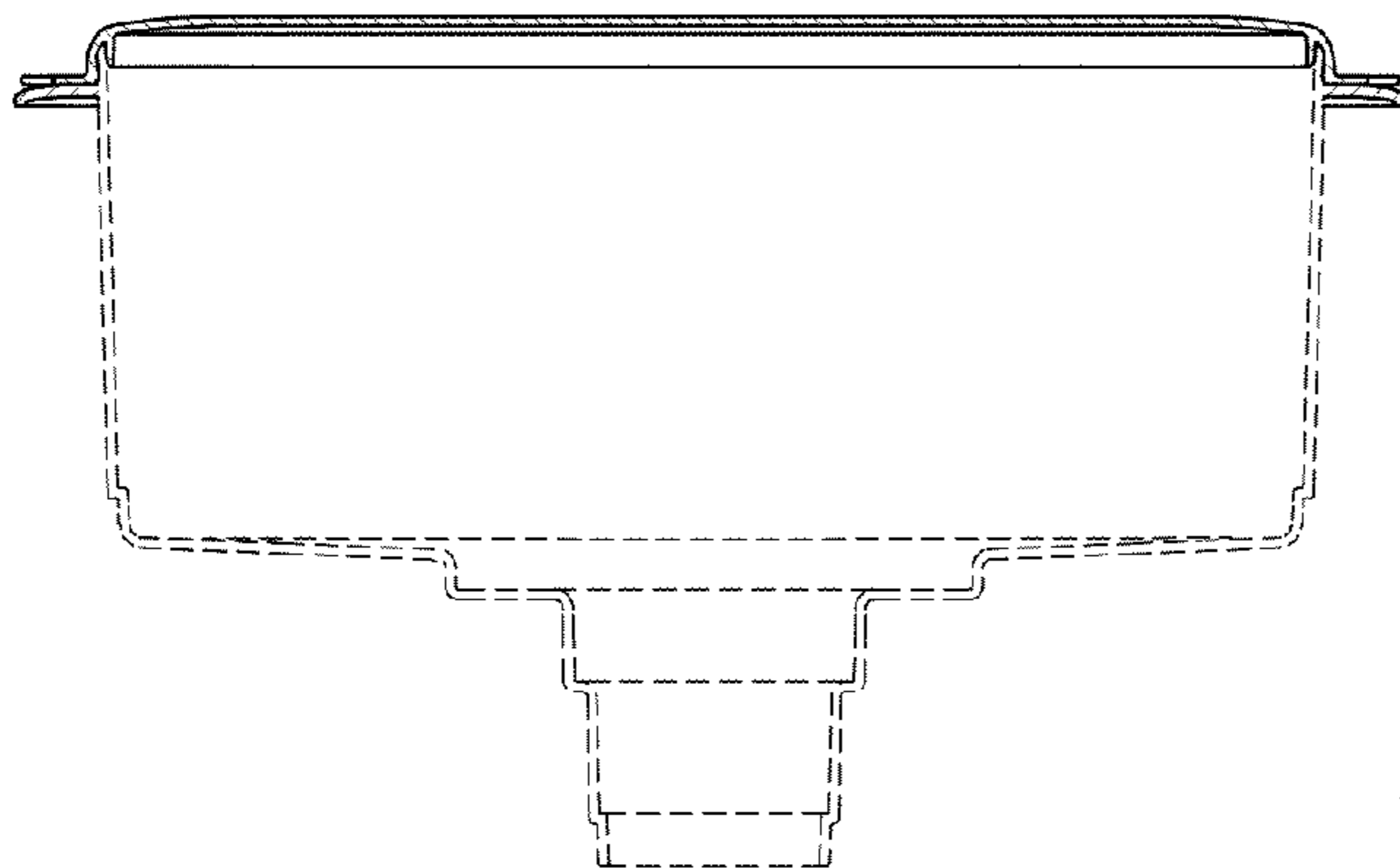


FIG. 6