



US00D736344S

(12) **United States Design Patent**  
**Chalifoux**

(10) **Patent No.:** **US D736,344 S**

(45) **Date of Patent:** **\*\* Aug. 11, 2015**

(54) **FLOATING CHEMICAL DISPENSER**

(71) Applicant: **CPA Pool Products, Inc.**, Blainville  
(Québec) (CA)

(72) Inventor: **Gabrielle P. Chalifoux**, Laval (CA)

(73) Assignee: **CPA Pool Products, Inc.**, Quebec (CA)

(\*\*) Term: **14 Years**

(21) Appl. No.: **29/500,002**

(22) Filed: **Aug. 20, 2014**

(51) **LOC (10) Cl.** ..... **23-01**

(52) **U.S. Cl.**  
USPC ..... **D23/208**

(58) **Field of Classification Search**  
USPC ..... D23/207, 208, 209; 210/416.2, 198.1,  
210/167.11, 167.12, 242.1; 422/264, 265  
See application file for complete search history.

(56) **References Cited**

**U.S. PATENT DOCUMENTS**

D309,493 S \* 7/1990 Casberg ..... D23/208  
D371,824 S \* 7/1996 Price et al. .... D23/208

6,340,431 B2 \* 1/2002 Khan ..... 210/85  
D486,881 S \* 2/2004 Pecci et al. .... D23/207  
D559,944 S \* 1/2008 Bruneel ..... D23/208  
D629,486 S \* 12/2010 Rossano et al. .... D23/208  
D630,705 S \* 1/2011 Rossano et al. .... D23/208  
7,922,982 B1 \* 4/2011 Brennan ..... 422/265  
D681,158 S \* 4/2013 King et al. .... D23/208  
D682,389 S \* 5/2013 King et al. .... D23/208

\* cited by examiner

*Primary Examiner* — Robin V Webster

(74) *Attorney, Agent, or Firm* — Baker and Rannells, PA

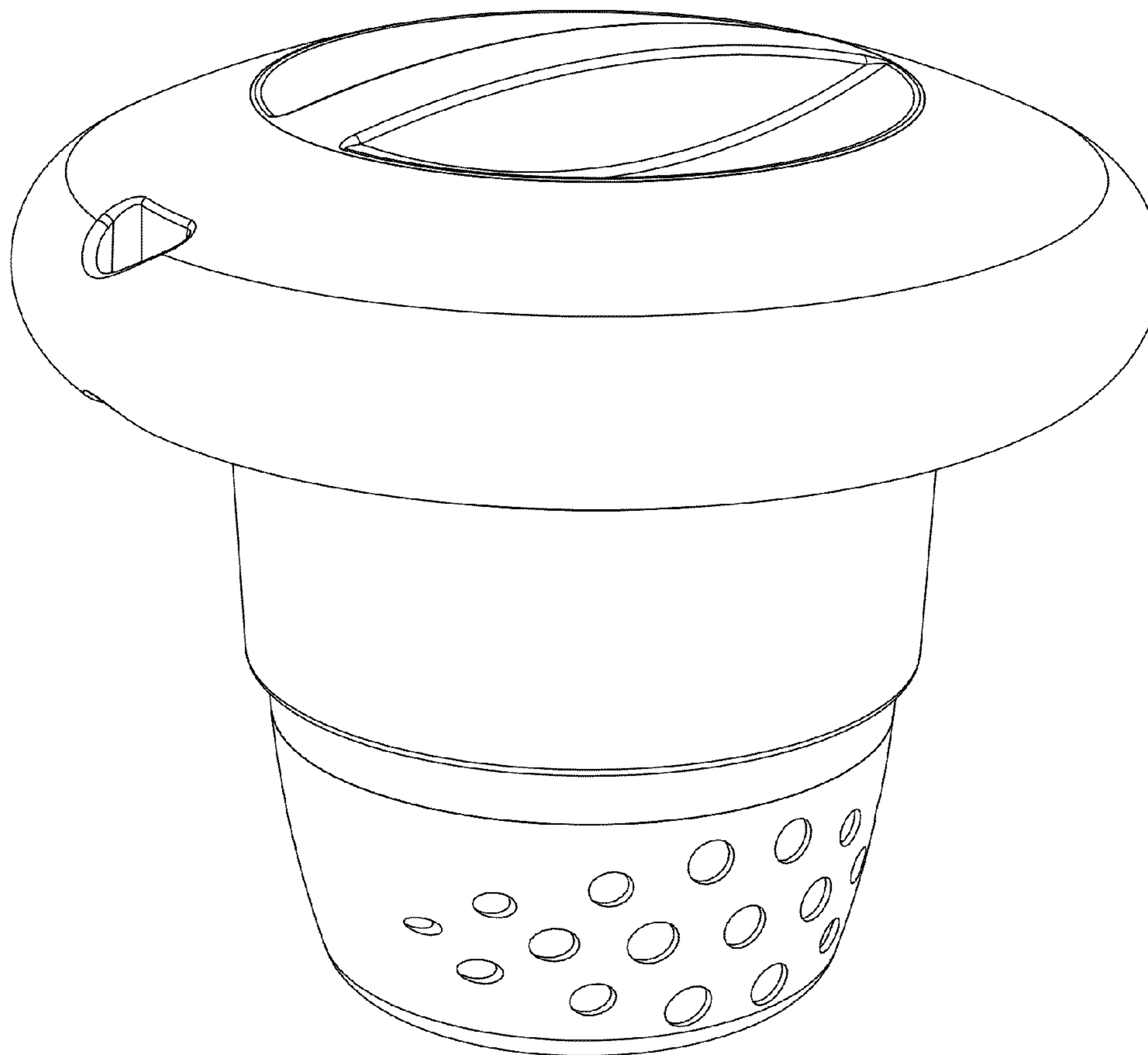
(57) **CLAIM**

The ornamental design for a floating chemical dispenser, as shown and described.

**DESCRIPTION**

FIG. 1 is an isometric view of the dispenser in accordance with the new design;  
FIG. 2 is a front elevational view thereof;  
FIG. 3 is a rear elevational view thereof;  
FIG. 4 is a right side elevational view thereof;  
FIG. 5 is a left side elevational view thereof;  
FIG. 6 is a top plan view thereof; and,  
FIG. 7 is a bottom plan view thereof.

**1 Claim, 7 Drawing Sheets**



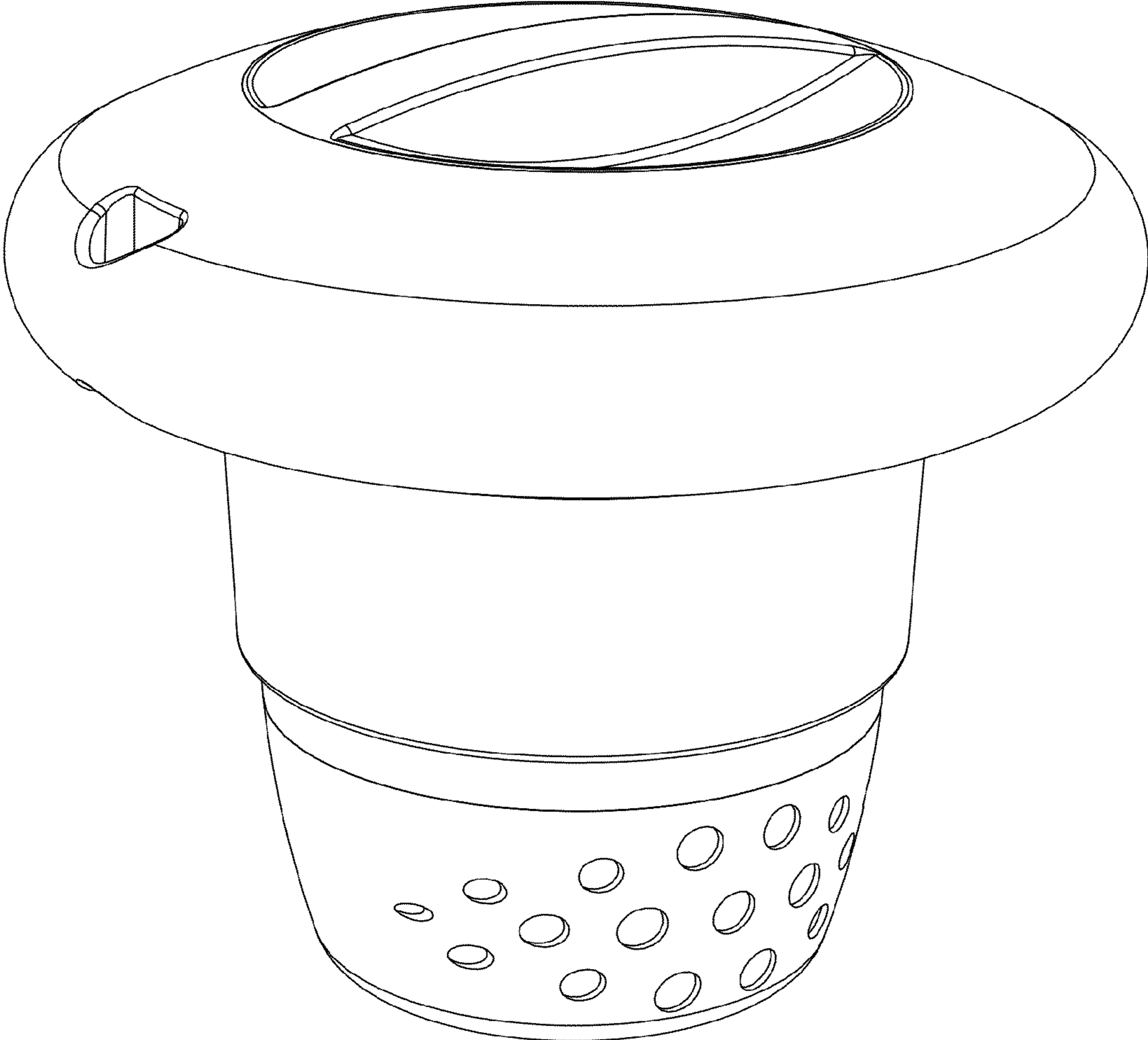


Fig. 1

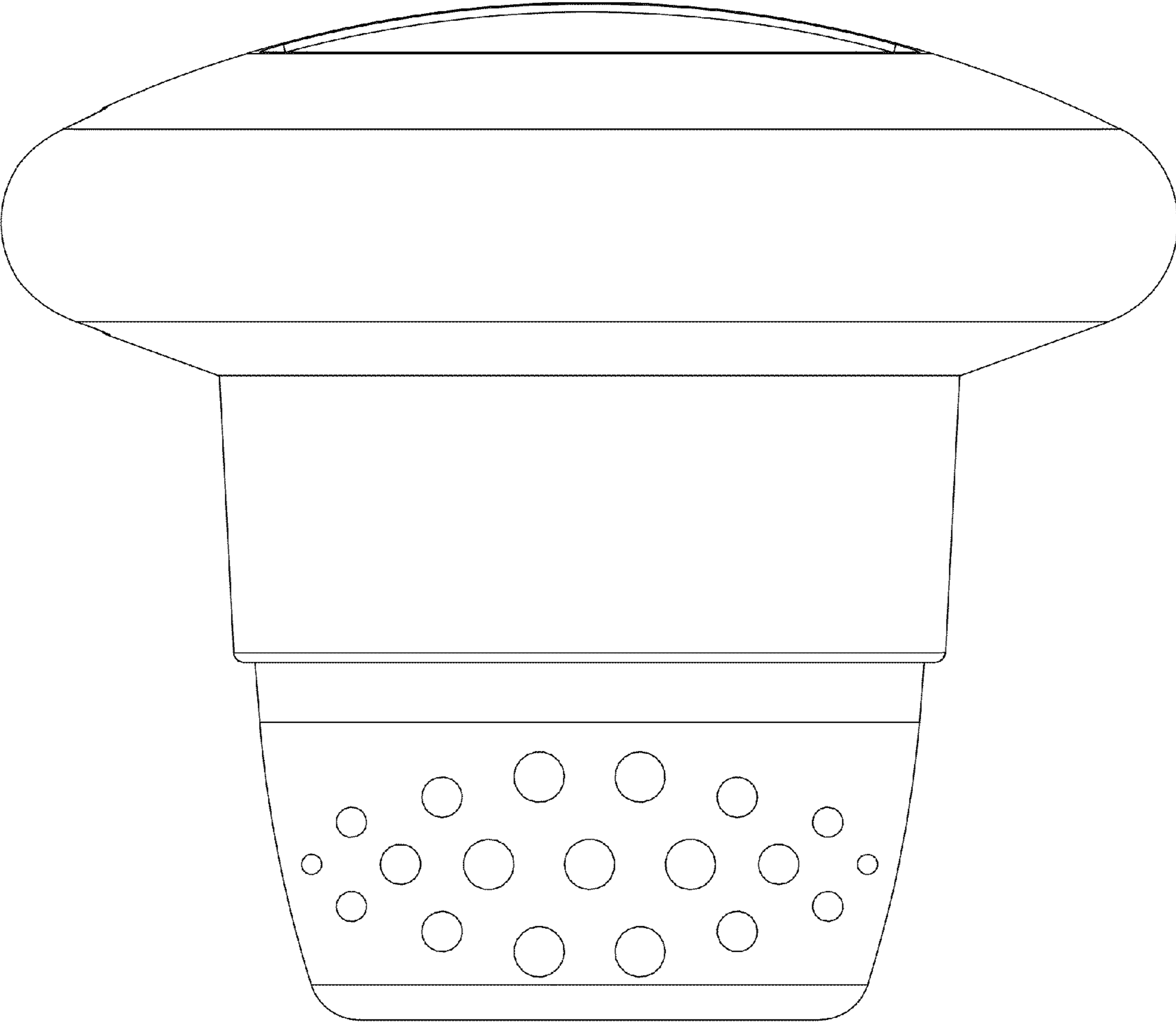


Fig. 2

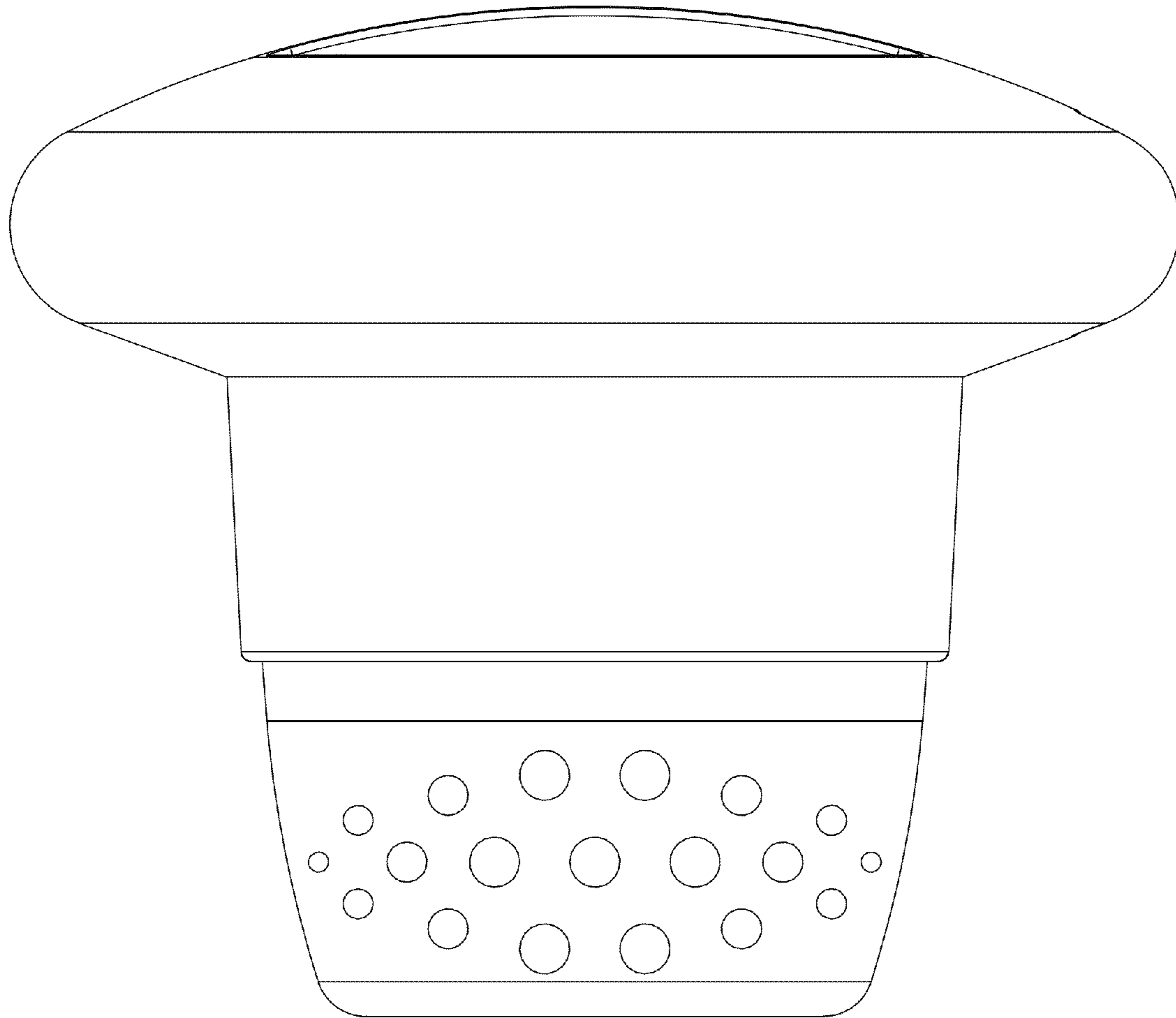


Fig. 3

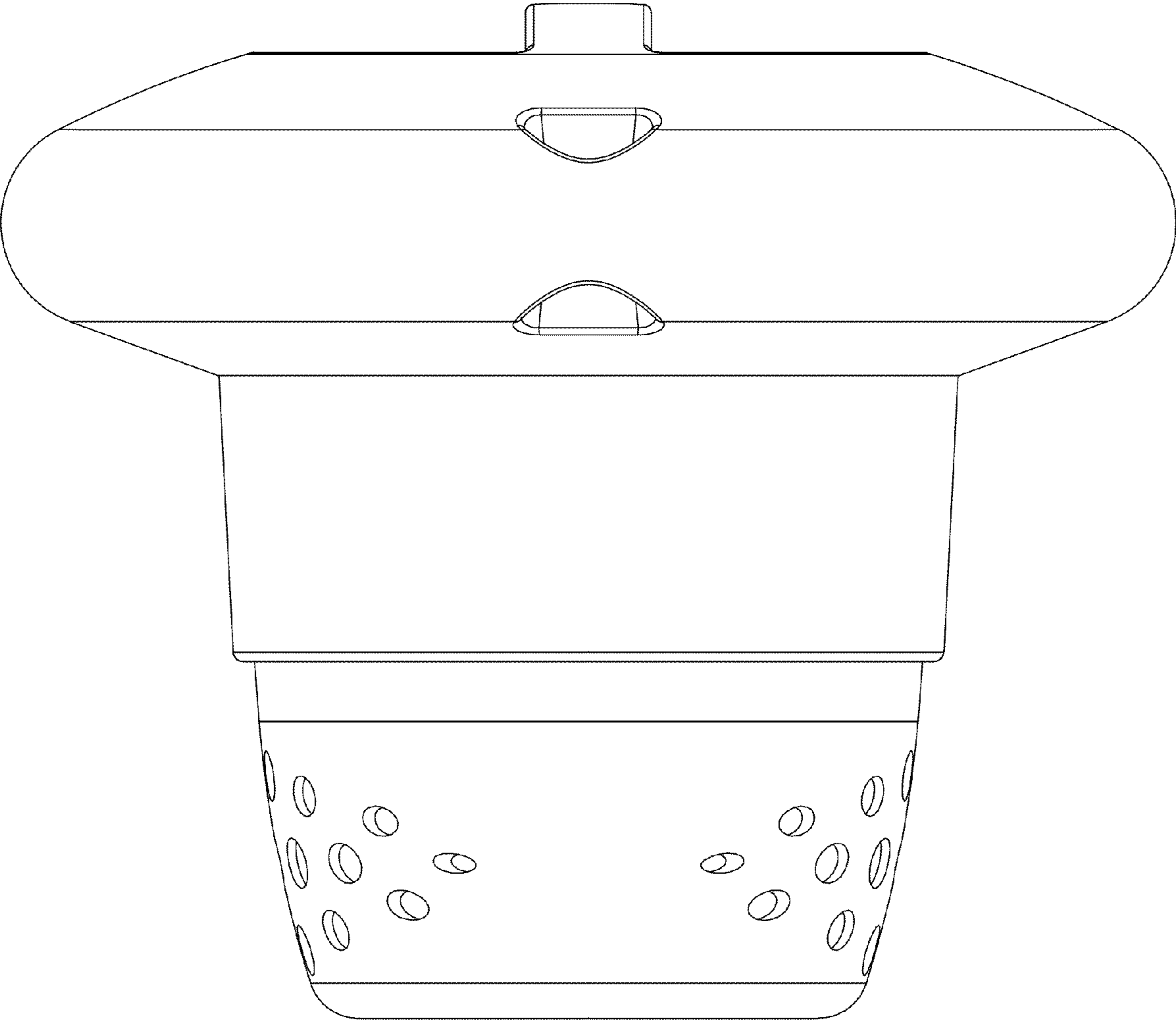


Fig. 4

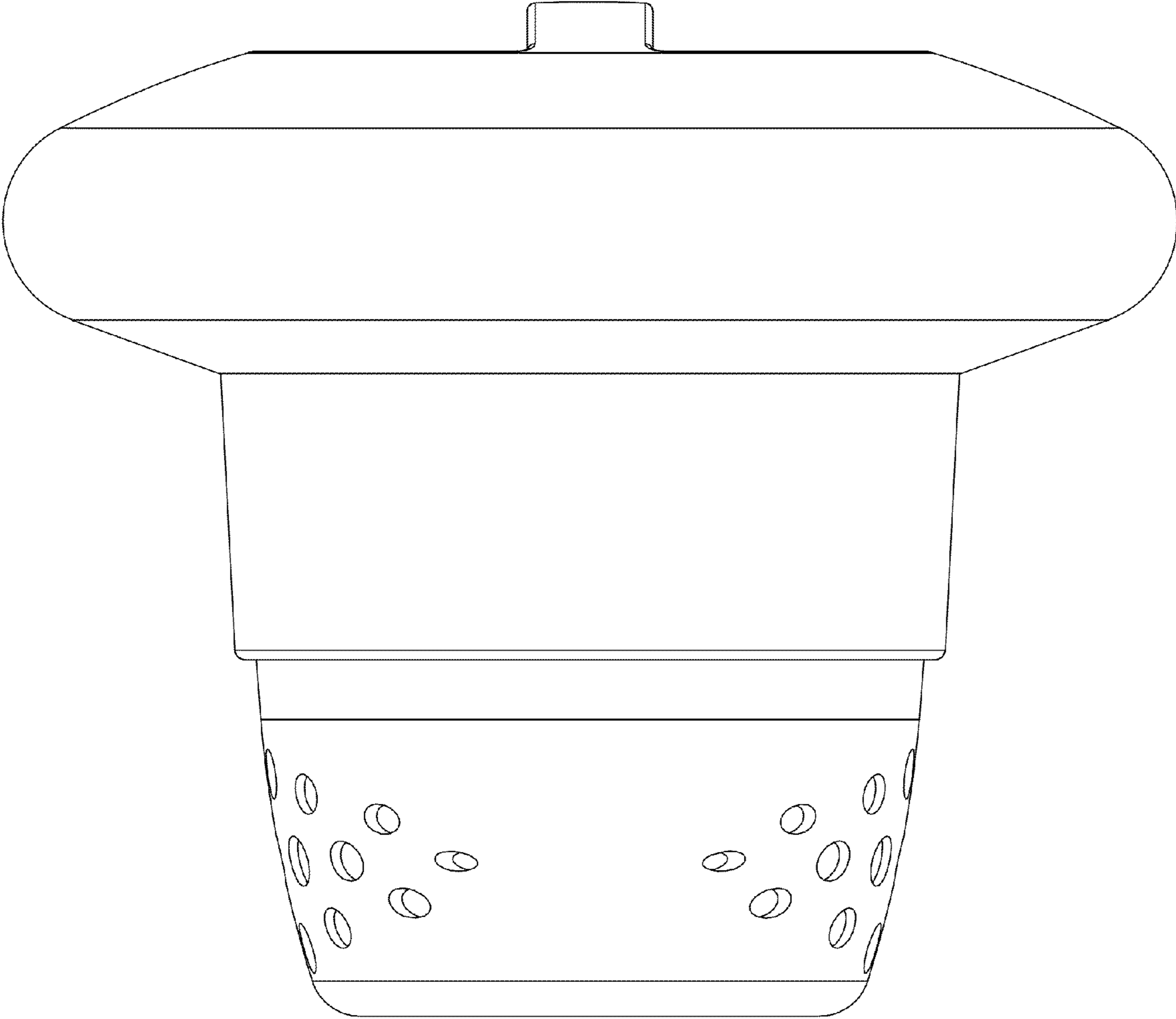


Fig. 5

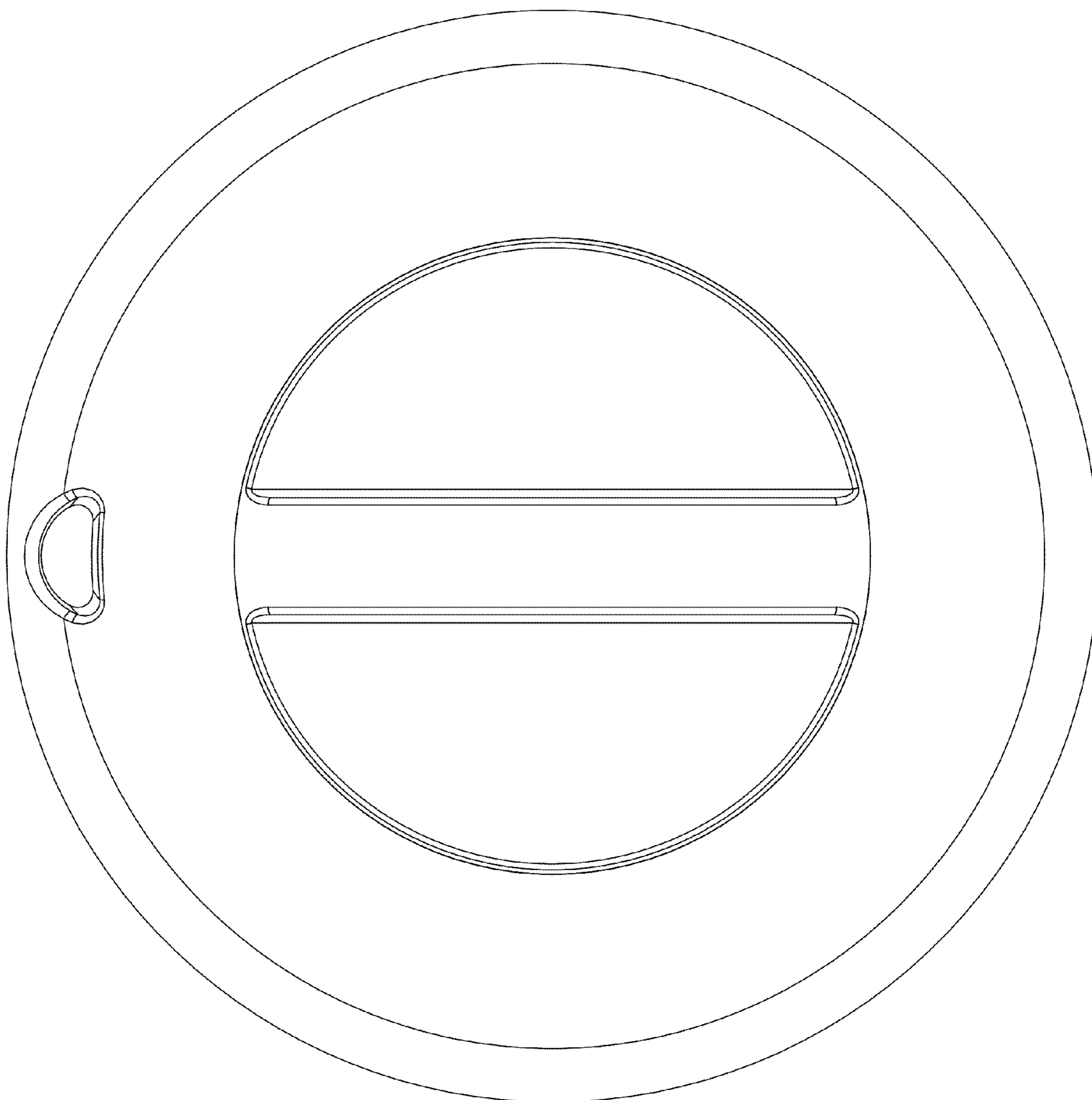


Fig. 6

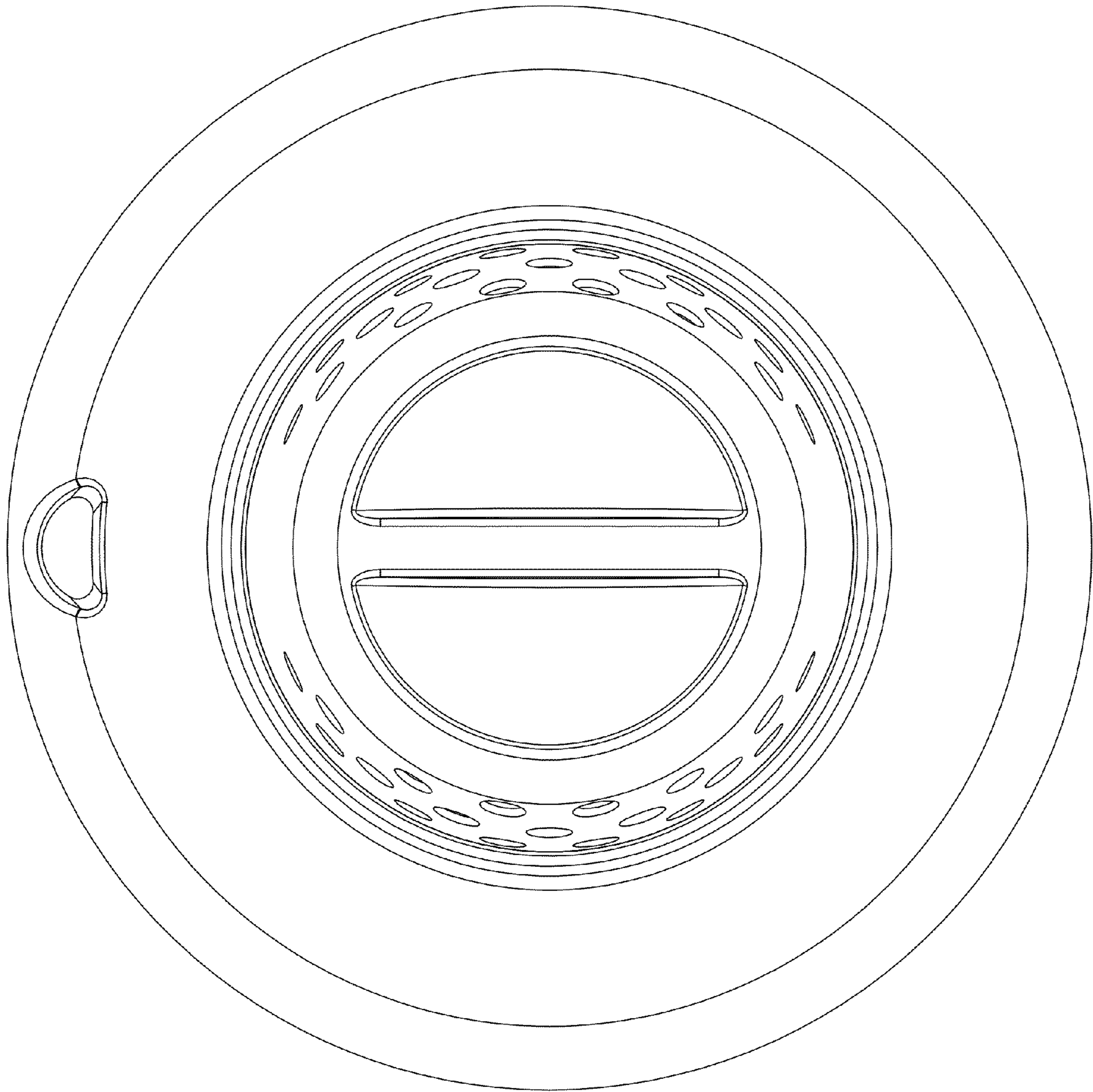


Fig. 7