



US00D736343S

(12) **United States Design Patent**
Schmidt

(10) **Patent No.:** **US D736,343 S**

(45) **Date of Patent:** **** Aug. 11, 2015**

(54) **MULTI-USE FISHING ROD HOLDER WITH LIGHT AND AUDIO ALERT**

8,375,621 B1 * 2/2013 Tarr 43/17

* cited by examiner

(71) Applicant: **Mark J Schmidt**, Milwaukee, WI (US)

Primary Examiner — Catheri Oliver-Garcia

(72) Inventor: **Mark J Schmidt**, Milwaukee, WI (US)

(74) *Attorney, Agent, or Firm* — Absolute Technology Law Group, LLC

(**) Term: **14 Years**

(57) **CLAIM**

The ornamental design for a multi-use fishing rod holder with light and audio alert as shown and described.

(21) Appl. No.: **29/486,500**

DESCRIPTION

(22) Filed: **Mar. 31, 2014**

(51) **LOC (10) Cl.** **22-05**

(52) **U.S. Cl.**

USPC **D22/148**

(58) **Field of Classification Search**

USPC D22/147-148; 43/16-17, 21.2;
248/532, 545, 530-531

See application file for complete search history.

FIG. 1 is a top view of a multi-use fishing rod holder with light and audio alert showing my design;
FIG. 2 is a bottom view thereof;
FIG. 3 is a right view thereof;
FIG. 4 is a left view thereof;
FIG. 5 is a rear view thereof;
FIG. 6 is a front view thereof;
FIG. 7 illustrates an alternate configuration of a multi-use fishing rod holder in an alarm position;
FIG. 8 illustrates an alternate configuration of a multi-use fishing rod holder in a set position; and,
FIG. 9 illustrates an alternate configuration of a multi-use fishing rod holder in a storage position.

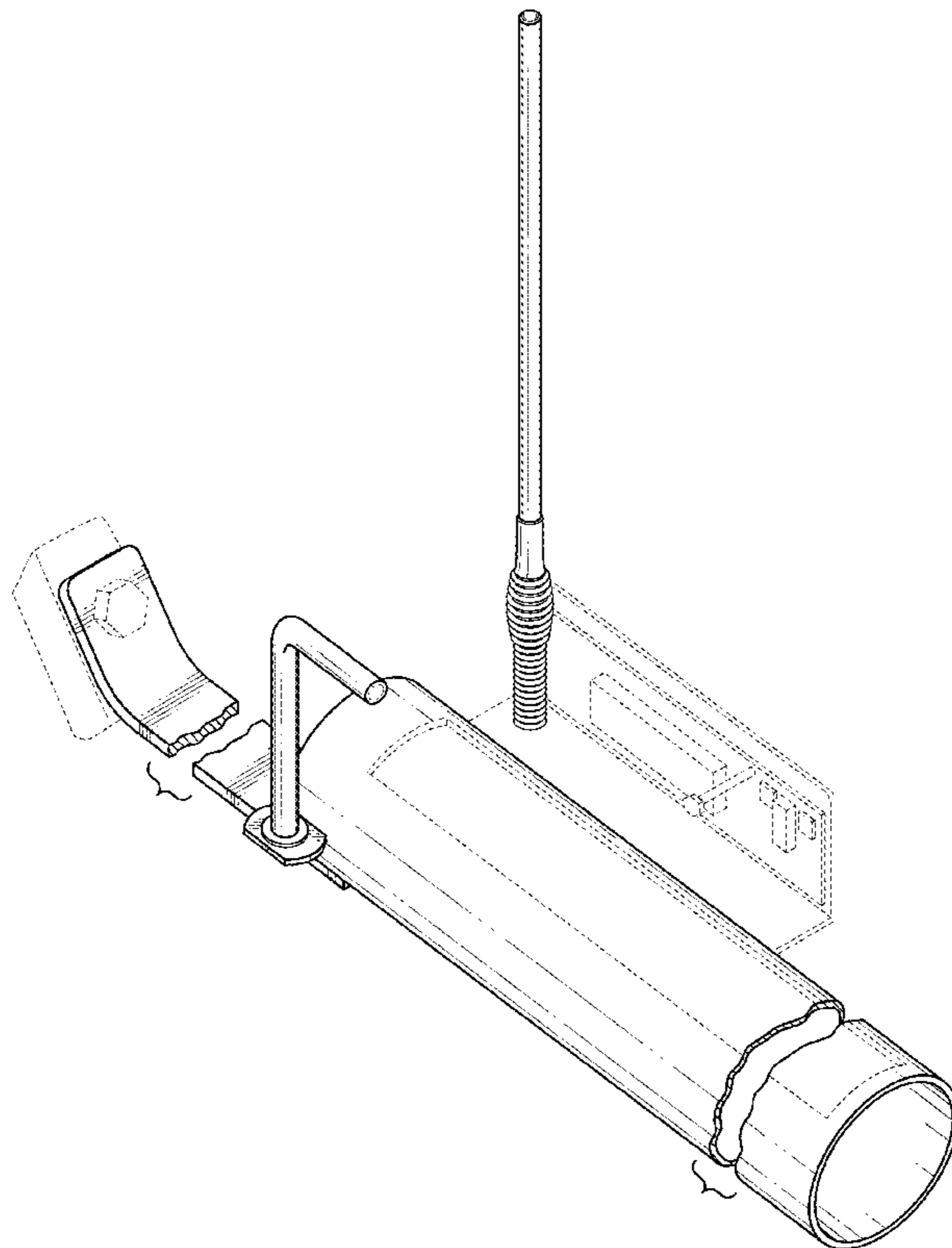
The attachment members, indicia, brackets, and electronics in FIGS. 1-9 are shown in broken lines for illustrative purposes only and form no part of the claimed design.

(56) **References Cited**

U.S. PATENT DOCUMENTS

D389,555 S *	1/1998	Johnson	D22/148
6,293,043 B1 *	9/2001	Zwettler	43/17
D491,624 S *	6/2004	Contarino, Jr.	D22/148
D589,113 S *	3/2009	Perry	D22/147
D646,748 S *	10/2011	Boudreaux	D22/148

1 Claim, 6 Drawing Sheets



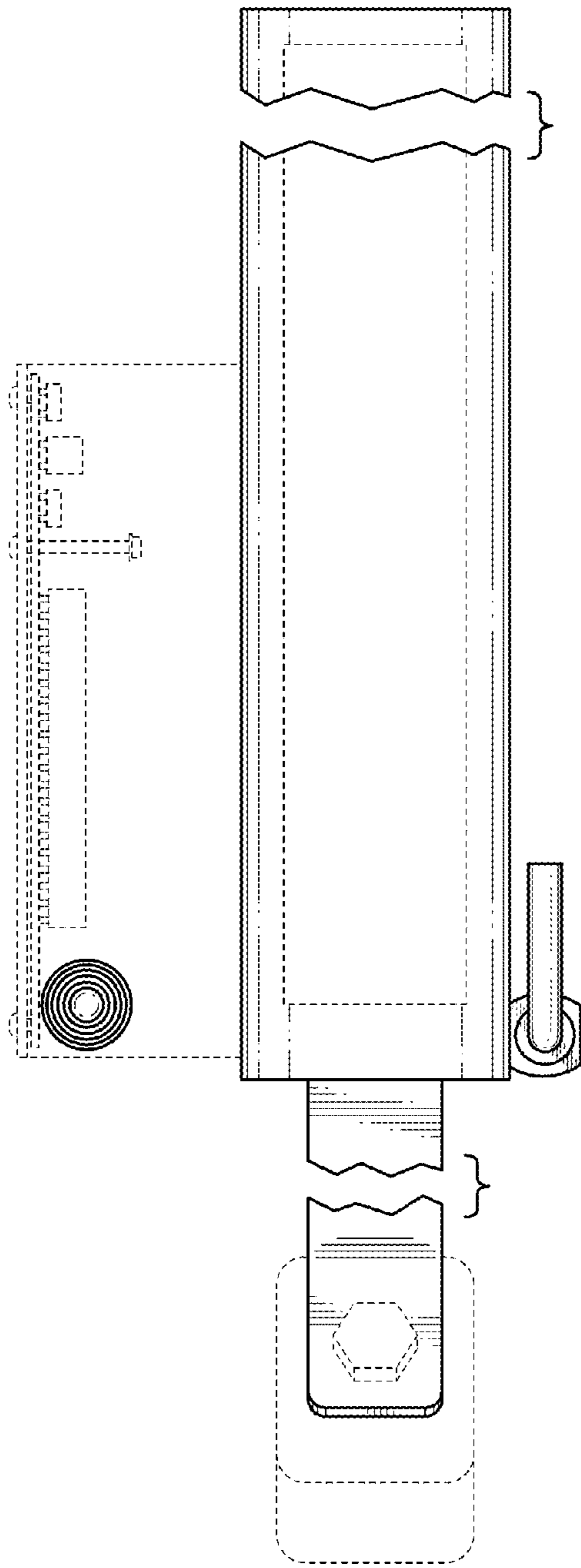


FIG. 1

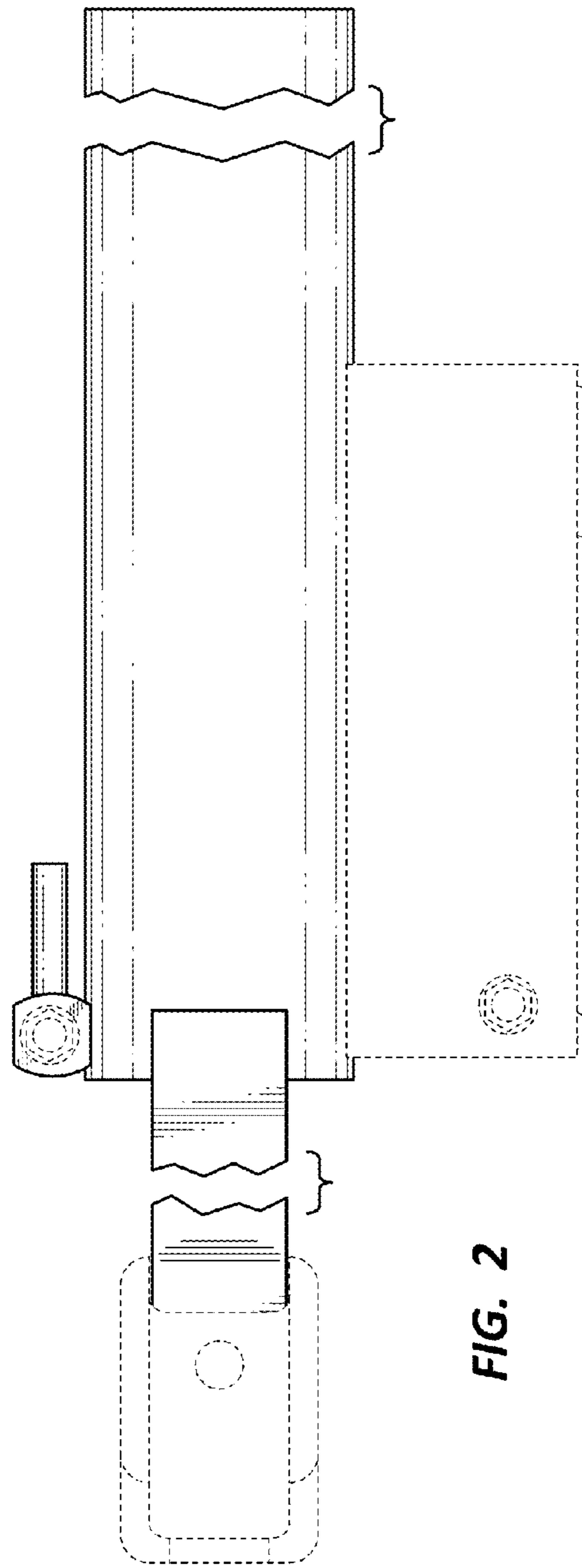


FIG. 2

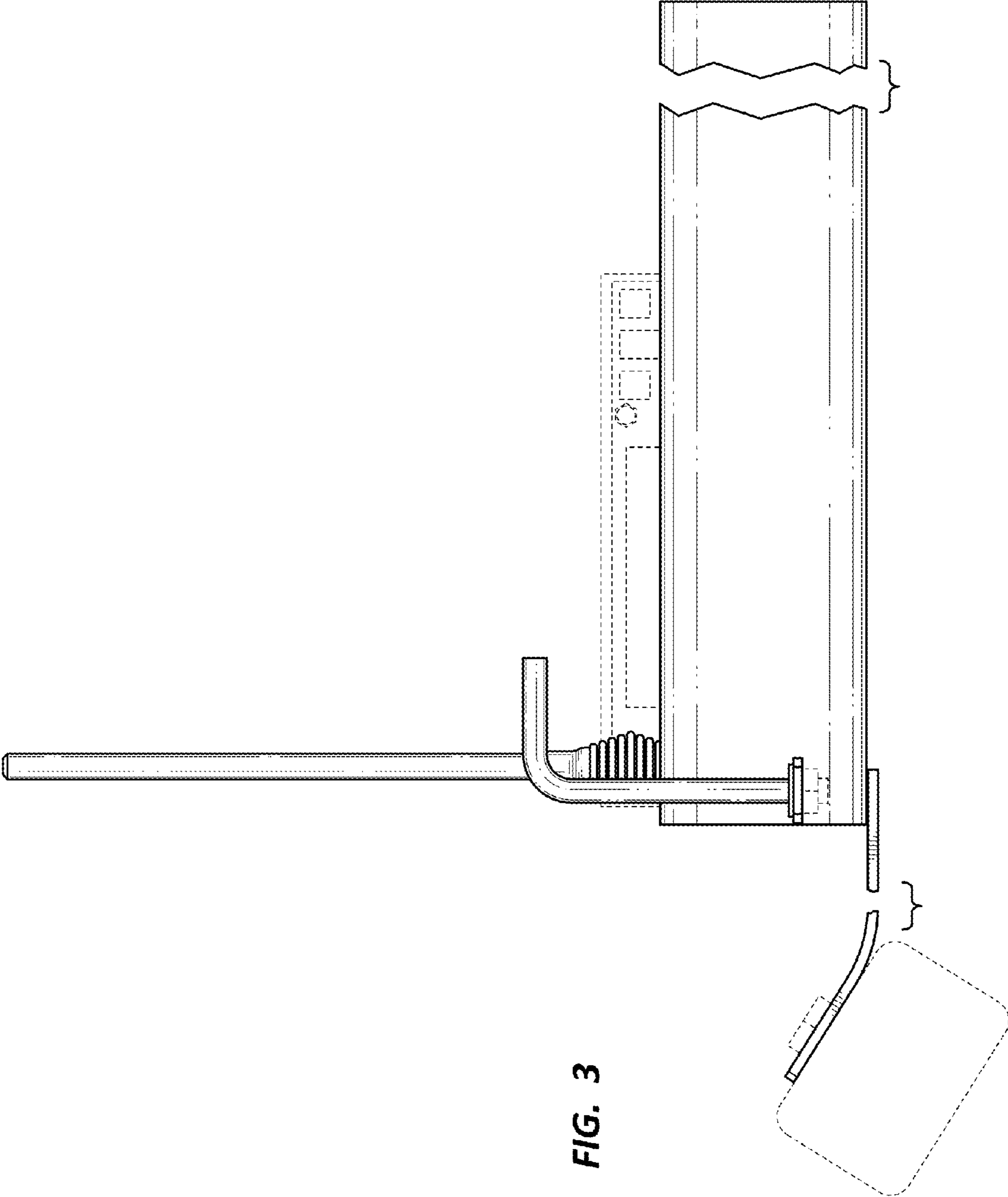
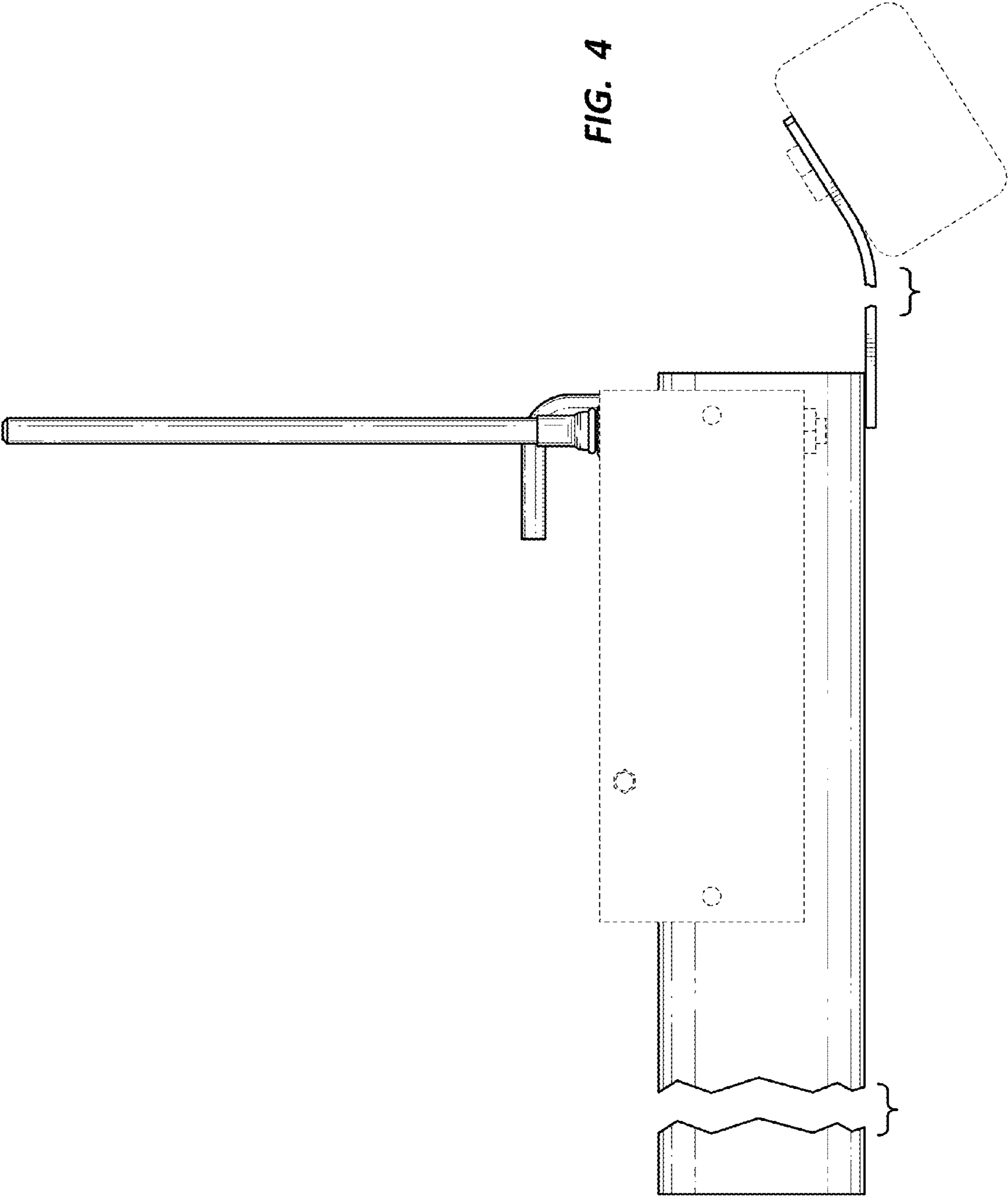
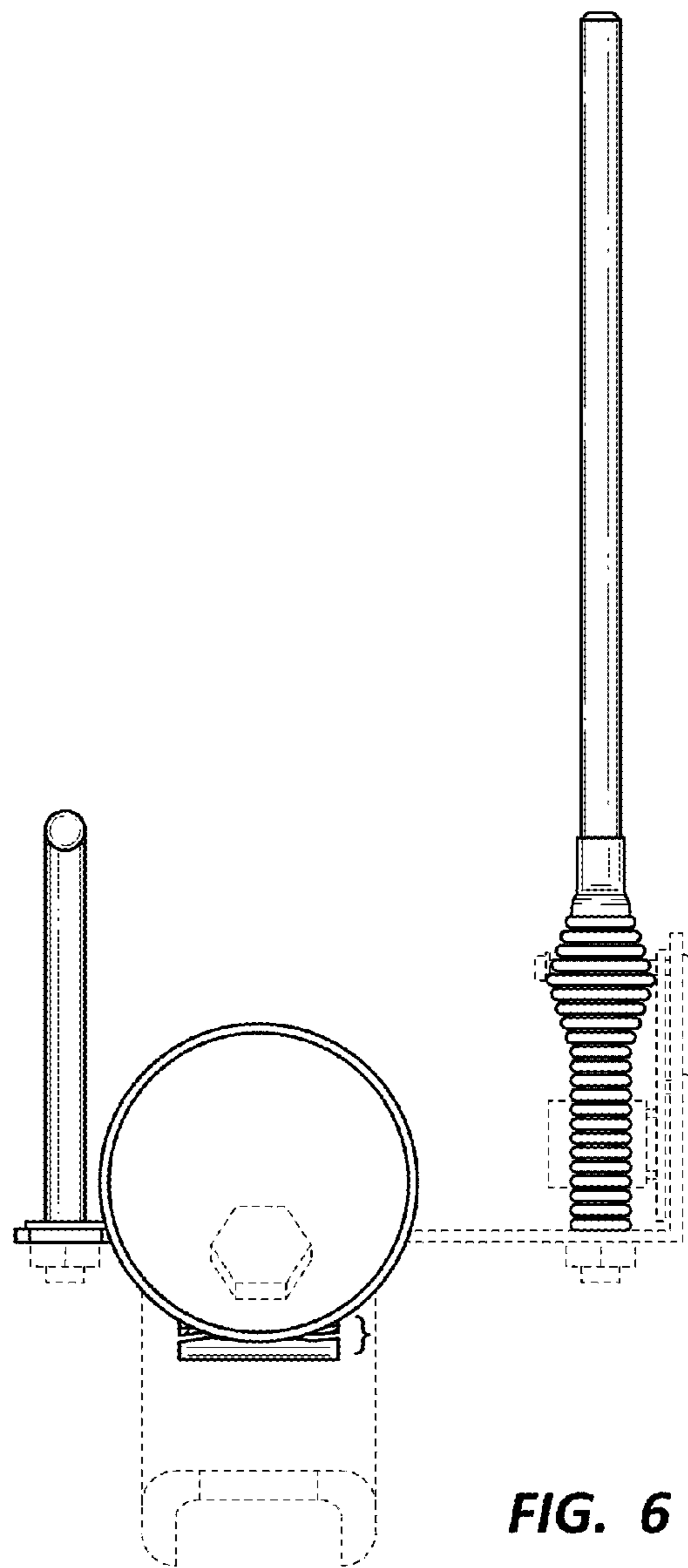
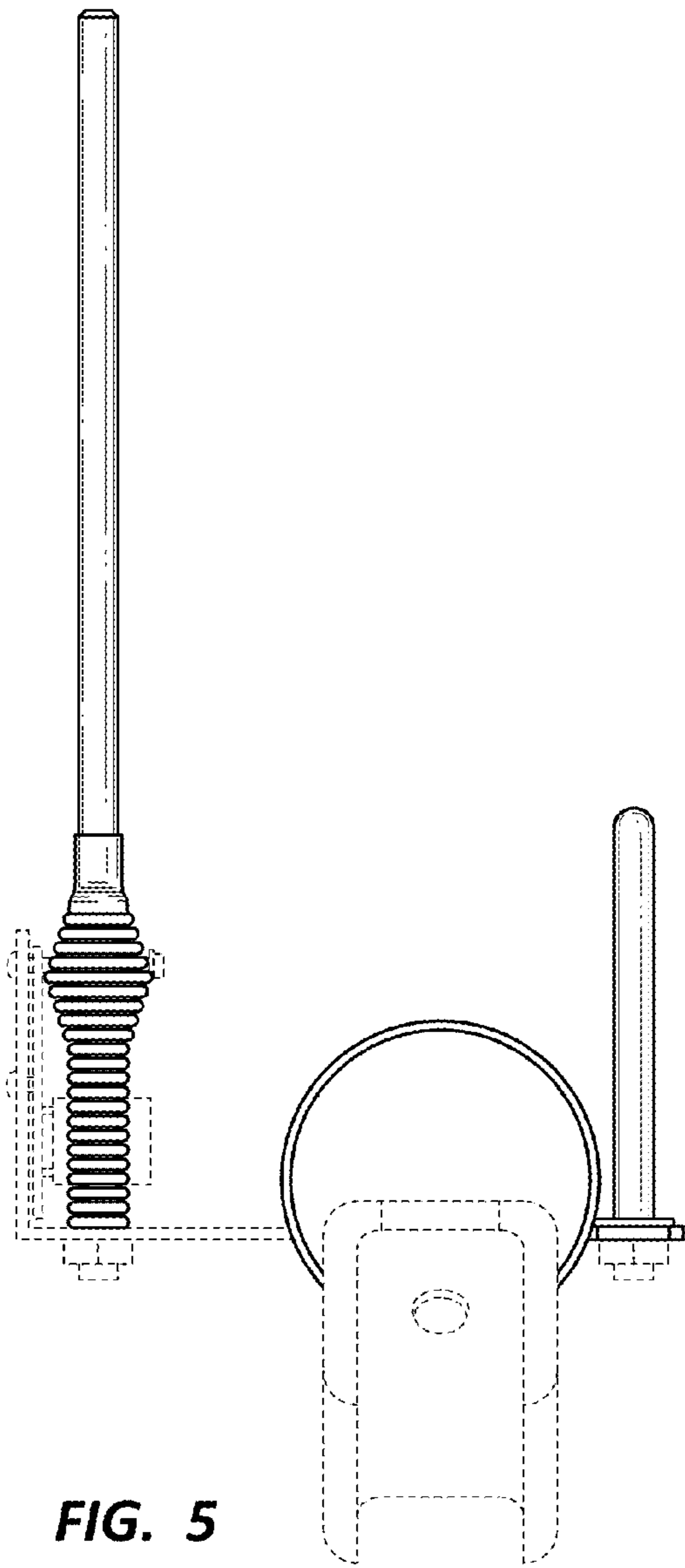


FIG. 3





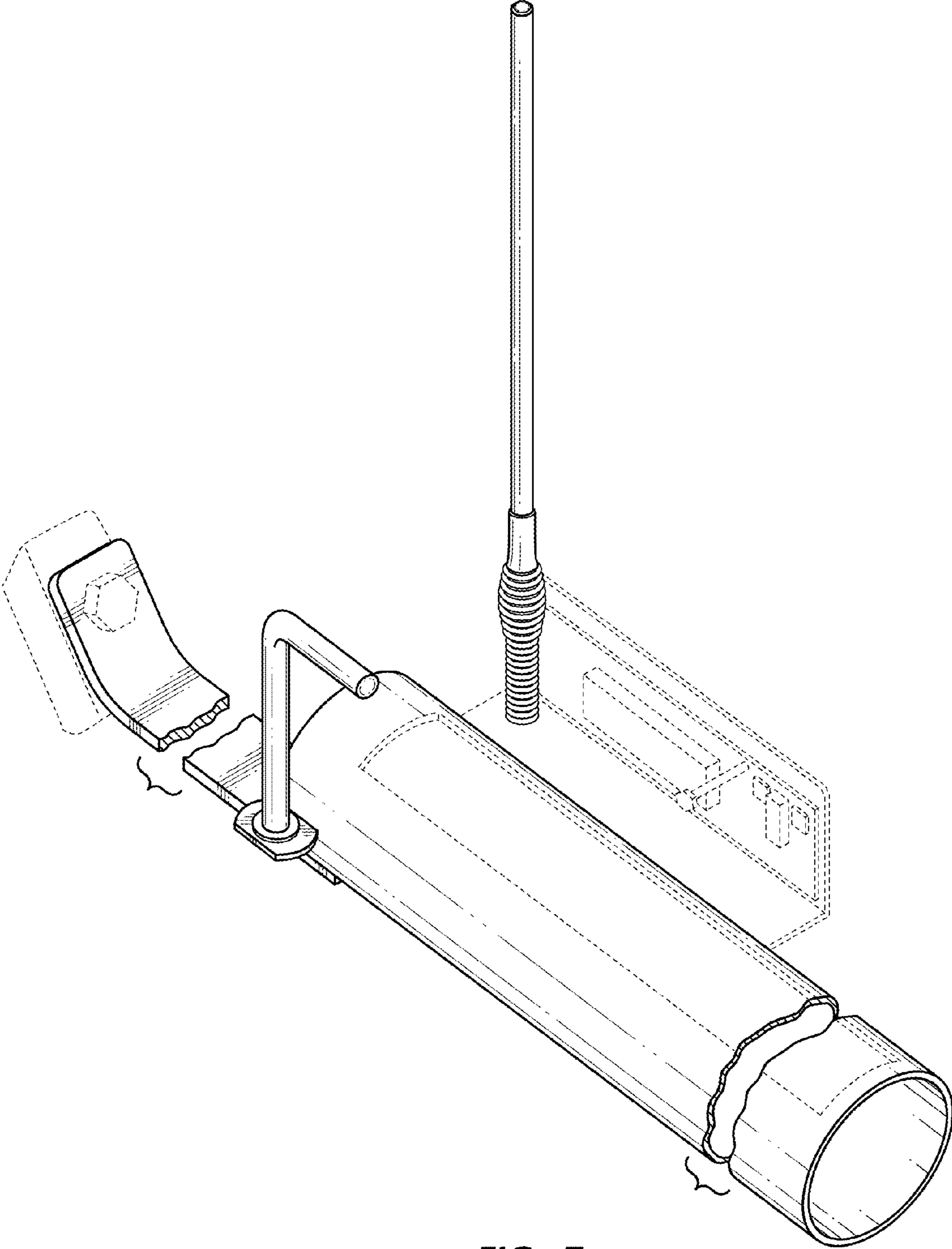


FIG. 7

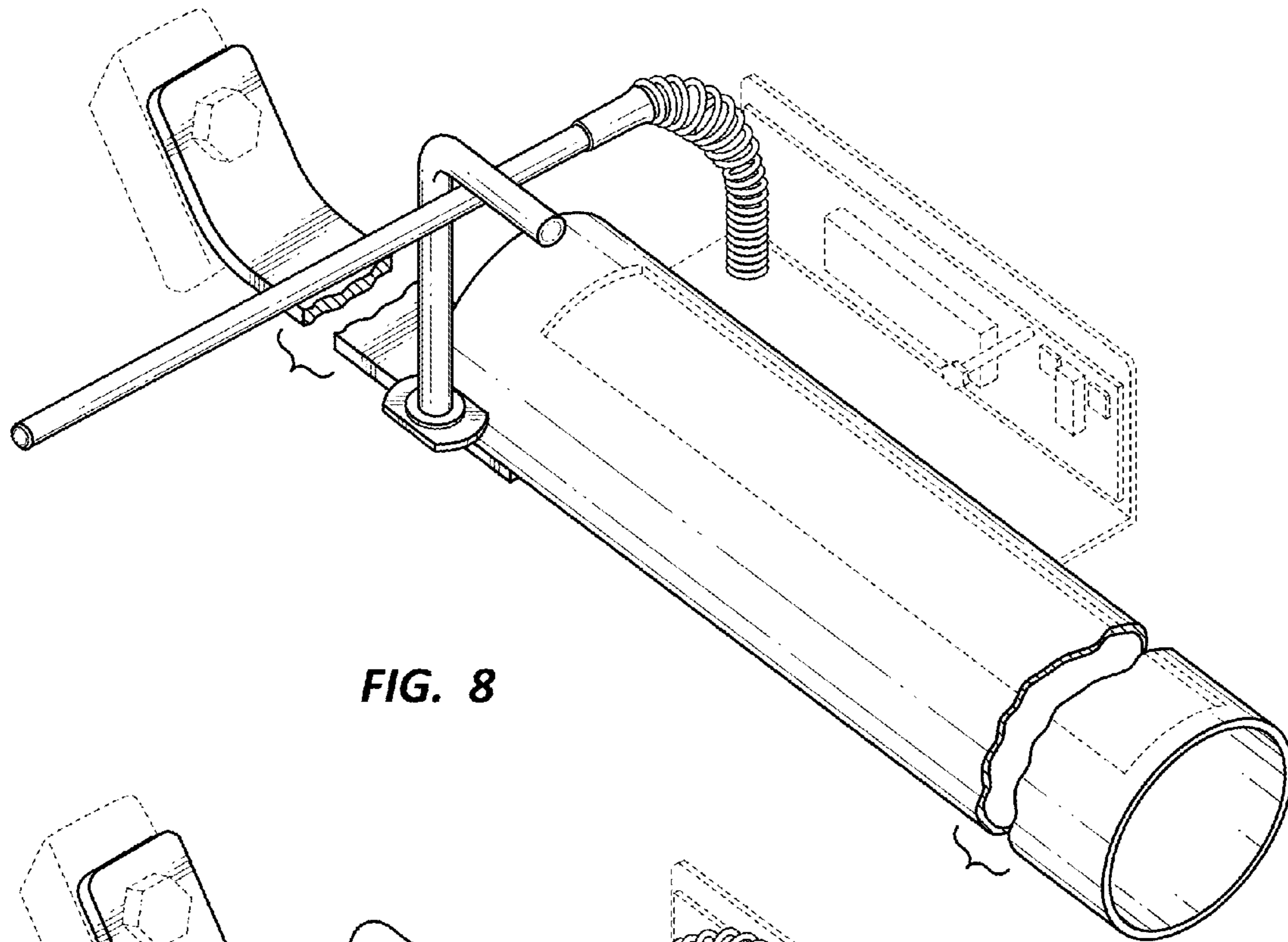


FIG. 8

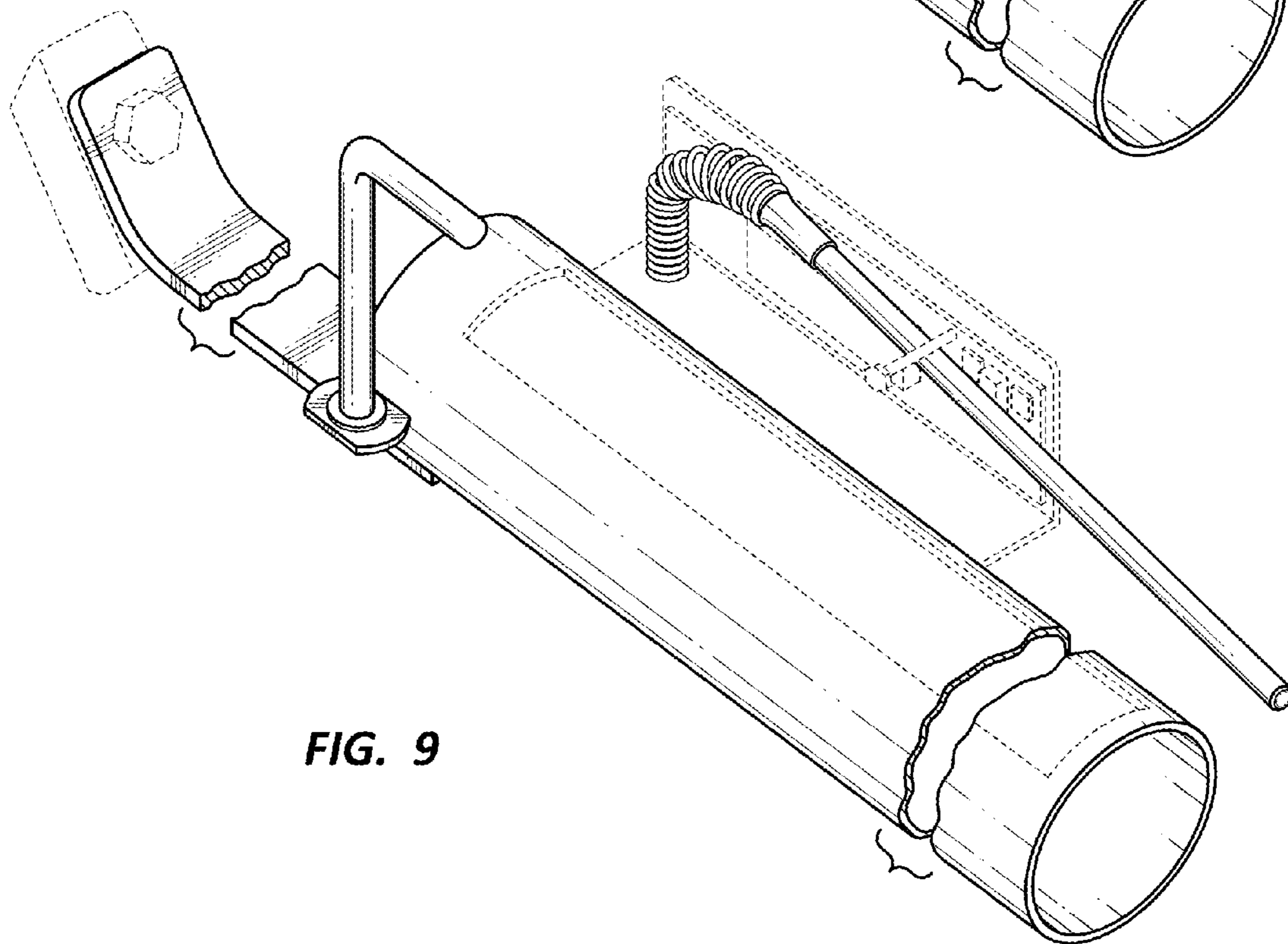


FIG. 9