



US00D736342S

(12) **United States Design Patent**
Flanagan

(10) **Patent No.:** **US D736,342 S**

(45) **Date of Patent:** **** Aug. 11, 2015**

- (54) **TROLL FISHING RIG SUPPORT**
- (71) Applicant: **Michael Todd Flanagan**, Brighton, TN
(US)
- (72) Inventor: **Michael Todd Flanagan**, Brighton, TN
(US)
- (**) Term: **14 Years**
- (21) Appl. No.: **29/487,913**
- (22) Filed: **Apr. 14, 2014**
- (51) **LOC (10) Cl.** **22-05**
- (52) **U.S. Cl.**
USPC **D22/134; D22/147**
- (58) **Field of Classification Search**
USPC D22/134, 147, 199; 43/19.2, 21.2, 26.1,
43/27.2, 27.4, 42.74; D12/317; 242/250,
242/264, 394.1; 248/512-513, 538
See application file for complete search history.

- 5,084,995 A * 2/1992 Beaudoin 43/26.1
- 5,437,121 A * 8/1995 Chacon et al. 43/19.2
- 5,581,932 A * 12/1996 Bell 43/26.1
- D524,716 S * 7/2006 Hill D12/317
- 7,415,793 B1 * 8/2008 Borchardt 43/42.36

* cited by examiner

Primary Examiner — Catheri Oliver-Garcia

(74) *Attorney, Agent, or Firm* — Senniger Powers LLP

(57) **CLAIM**

The ornamental design for a troll fishing rig support, as shown and described.

DESCRIPTION

FIG. 1 is a perspective view of a troll fishing rig support showing my new design;
 FIG. 2 is a top plan view thereof;
 FIG. 3 is a bottom plan view thereof;
 FIG. 4 is a front elevation view thereof;
 FIG. 5 is a rear elevation view thereof;
 FIG. 6 is a right side elevation view thereof;
 FIG. 7 is a left side elevation view thereof; and,
 FIG. 8 is an alternative perspective view showing the support in the environment of being assembled with bolts onto a standard fishing boat seat pedestal.

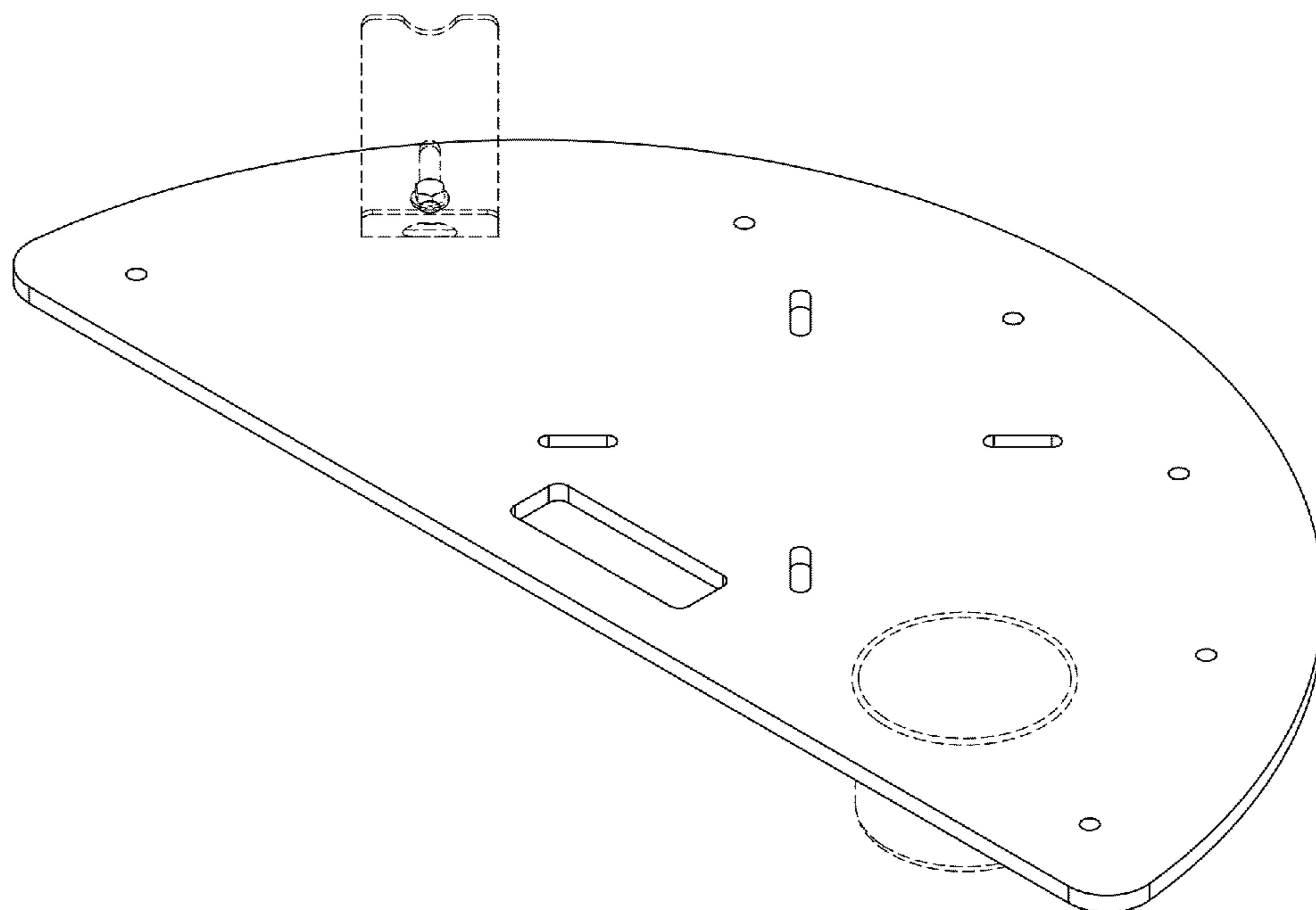
The broken lines form no part of the claimed design. The fishing rod holder, cup holder, cup holder hole, bolts, and fishing boat seat pedestal are all drawn in phantom and form no part of the claimed design.

1 Claim, 7 Drawing Sheets

(56) **References Cited**

U.S. PATENT DOCUMENTS

- 4,334,380 A * 6/1982 Daniels 43/27.4
- 4,438,582 A * 3/1984 Lummis 43/27.4
- 4,509,287 A * 4/1985 Hood 43/19.2
- 4,823,723 A * 4/1989 Brooks 43/21.2
- 4,869,195 A * 9/1989 Eichfeld 43/21.2
- 4,932,151 A * 6/1990 Cicha 43/19.2
- 4,932,602 A * 6/1990 Scott 242/394.1
- 4,951,411 A * 8/1990 Ecker 43/19.2



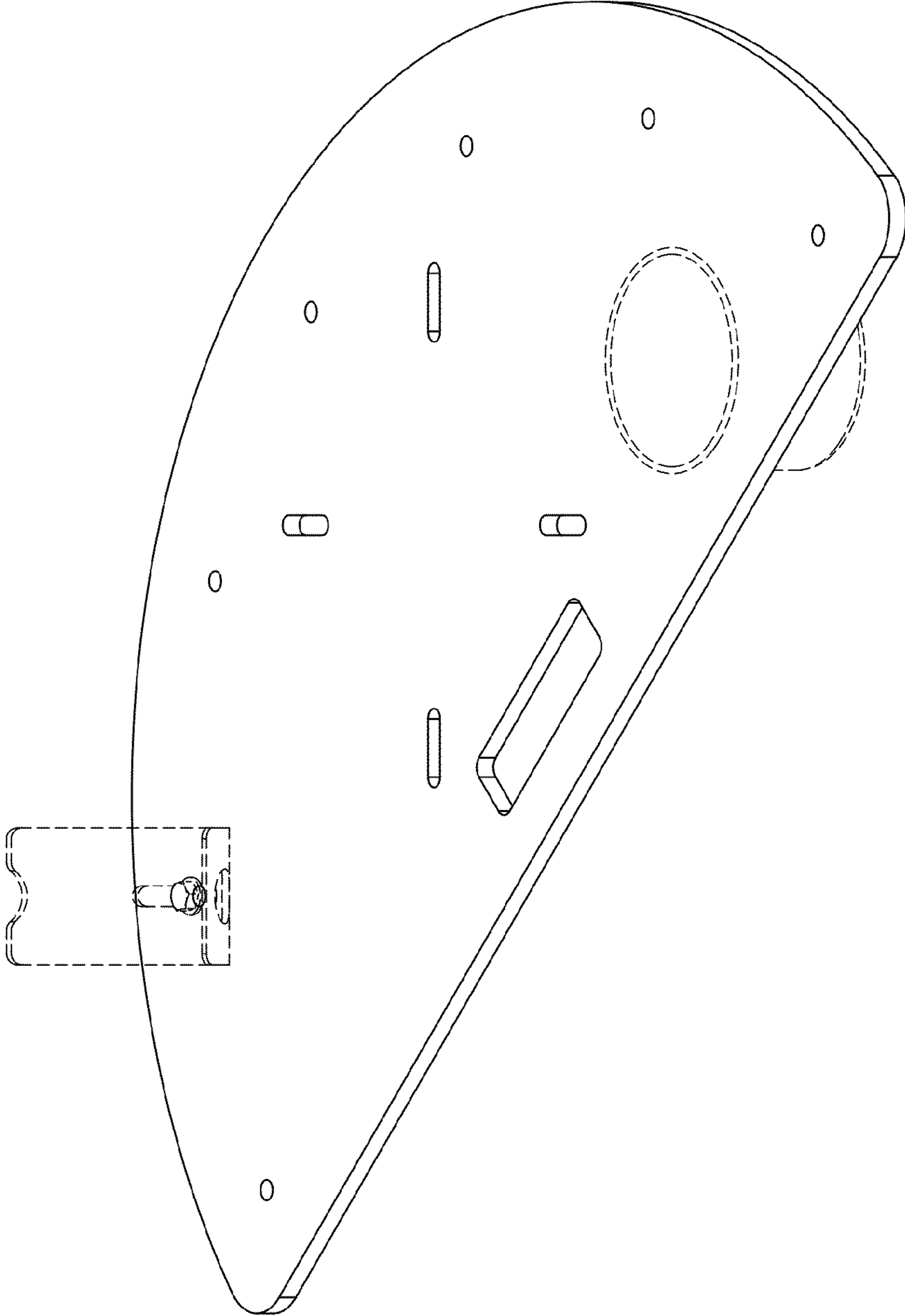


FIG. 1

FIG. 2

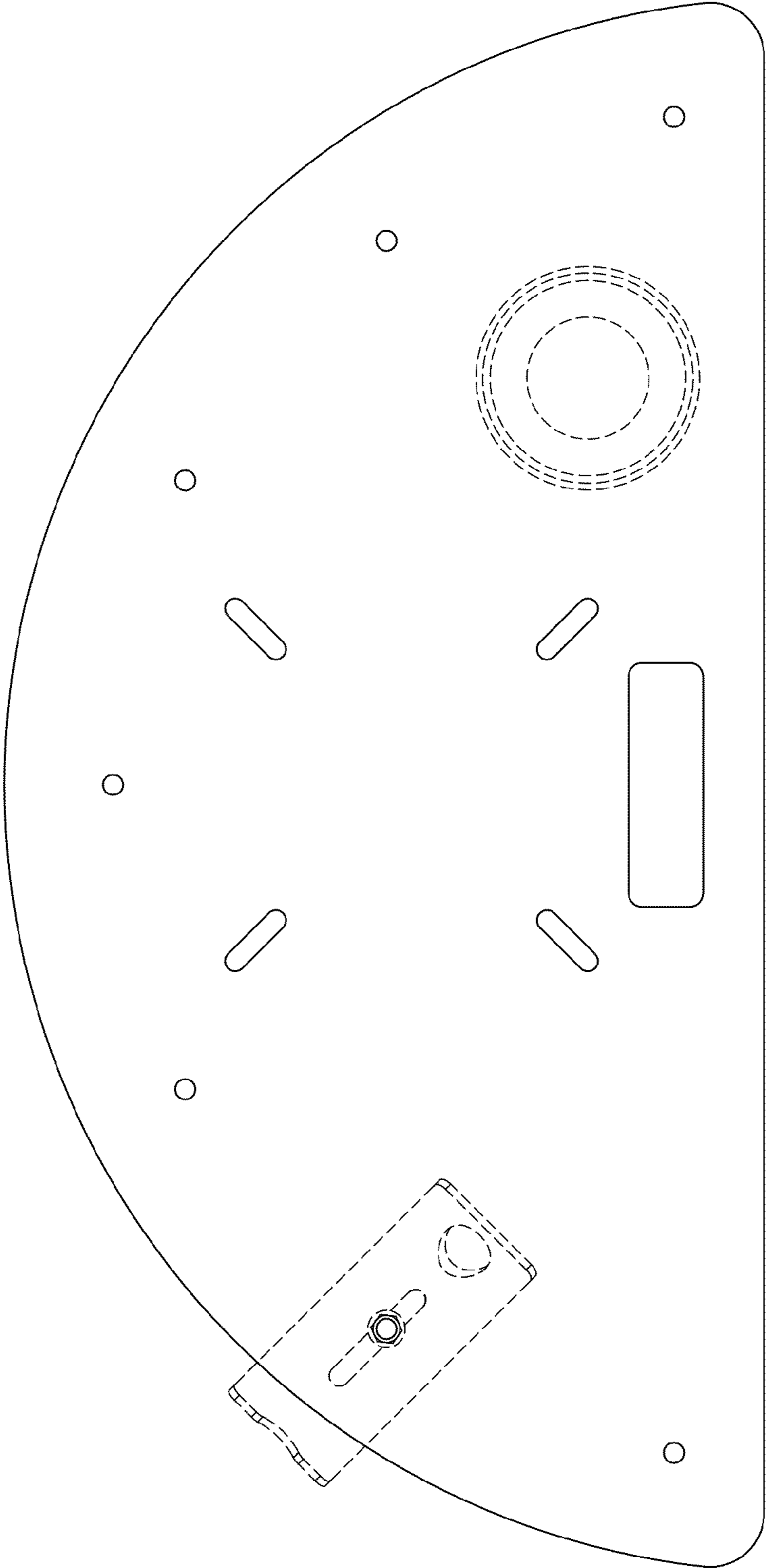


FIG. 3

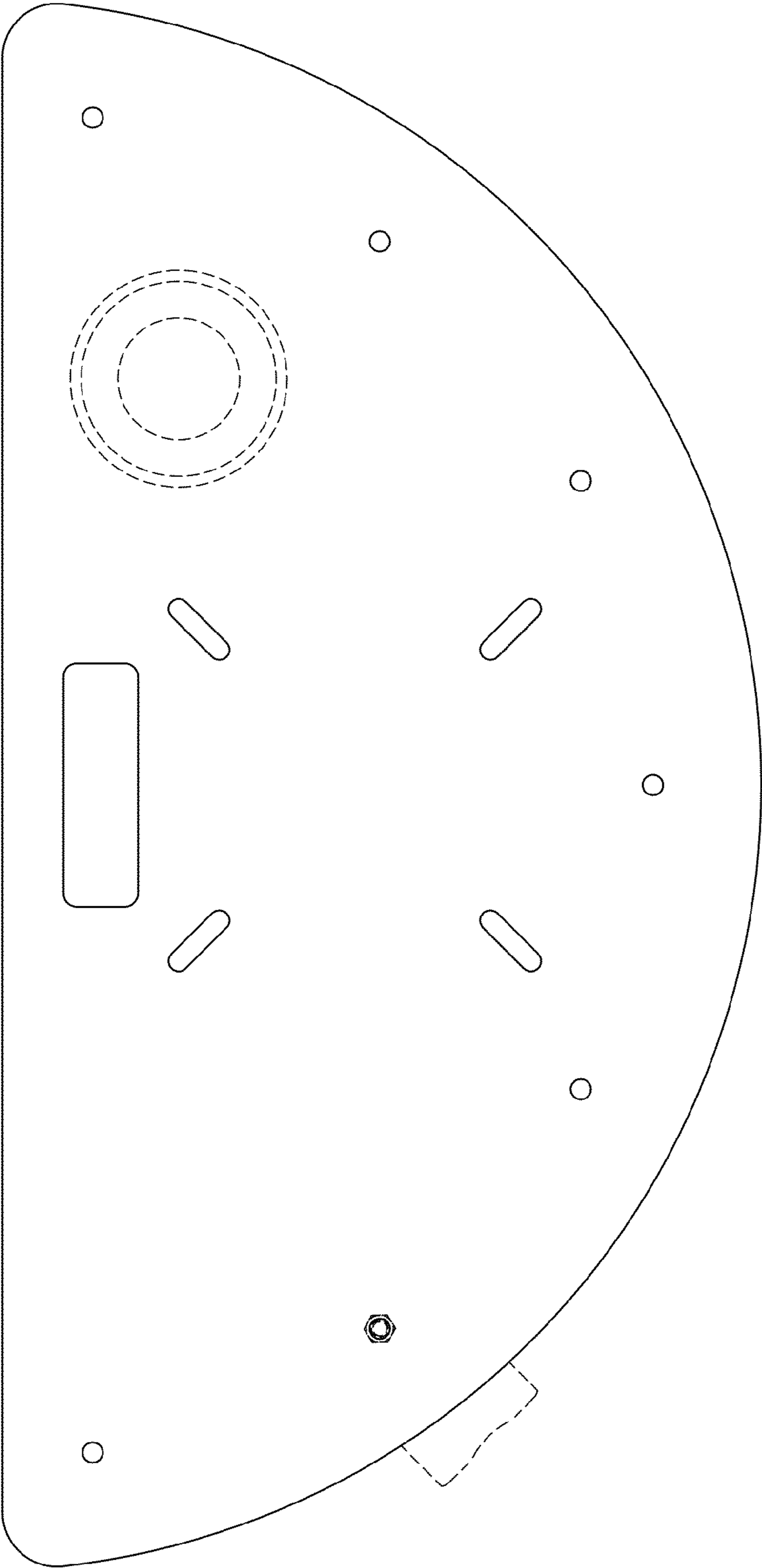


FIG. 4

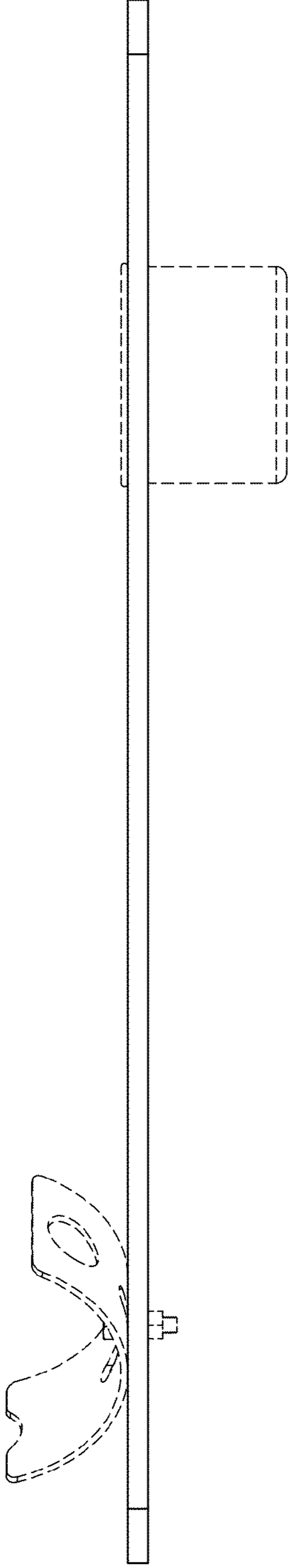


FIG. 5

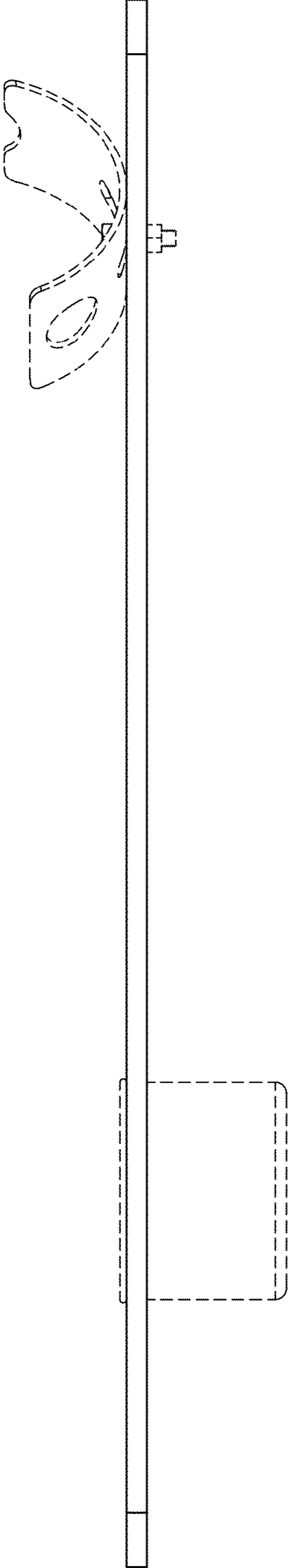


FIG. 6

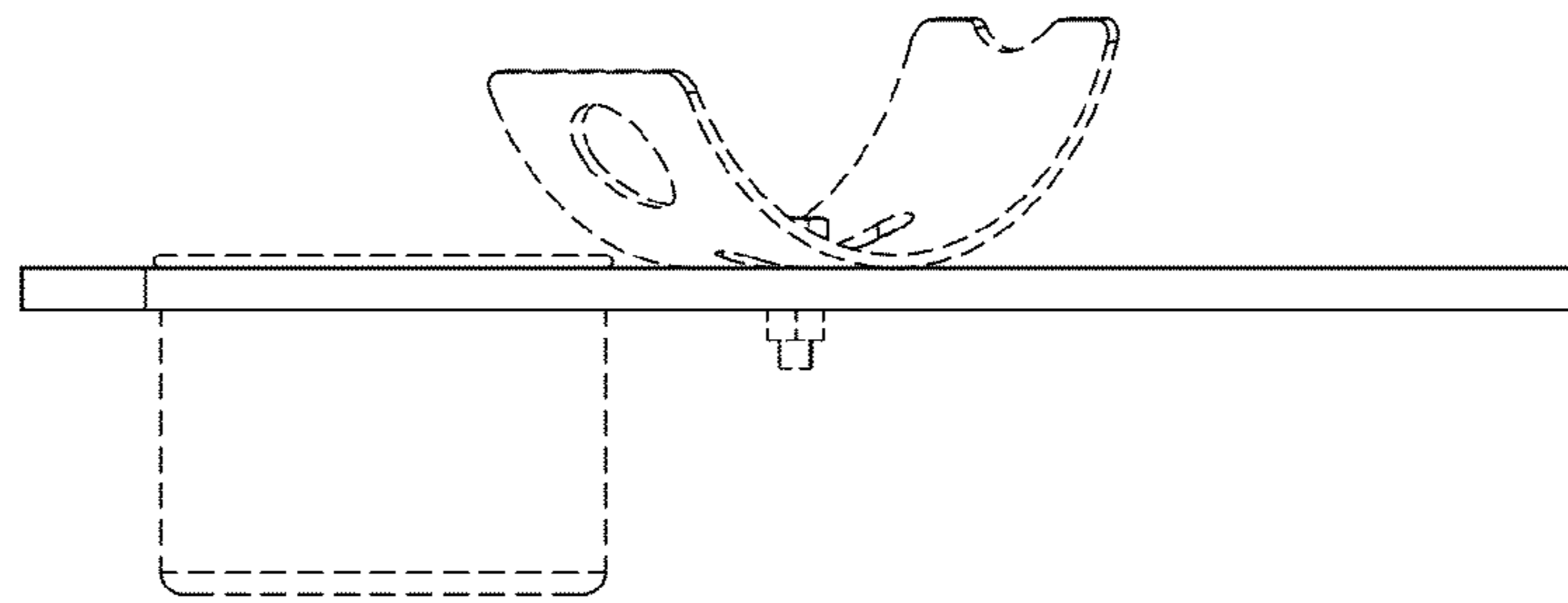


FIG. 7

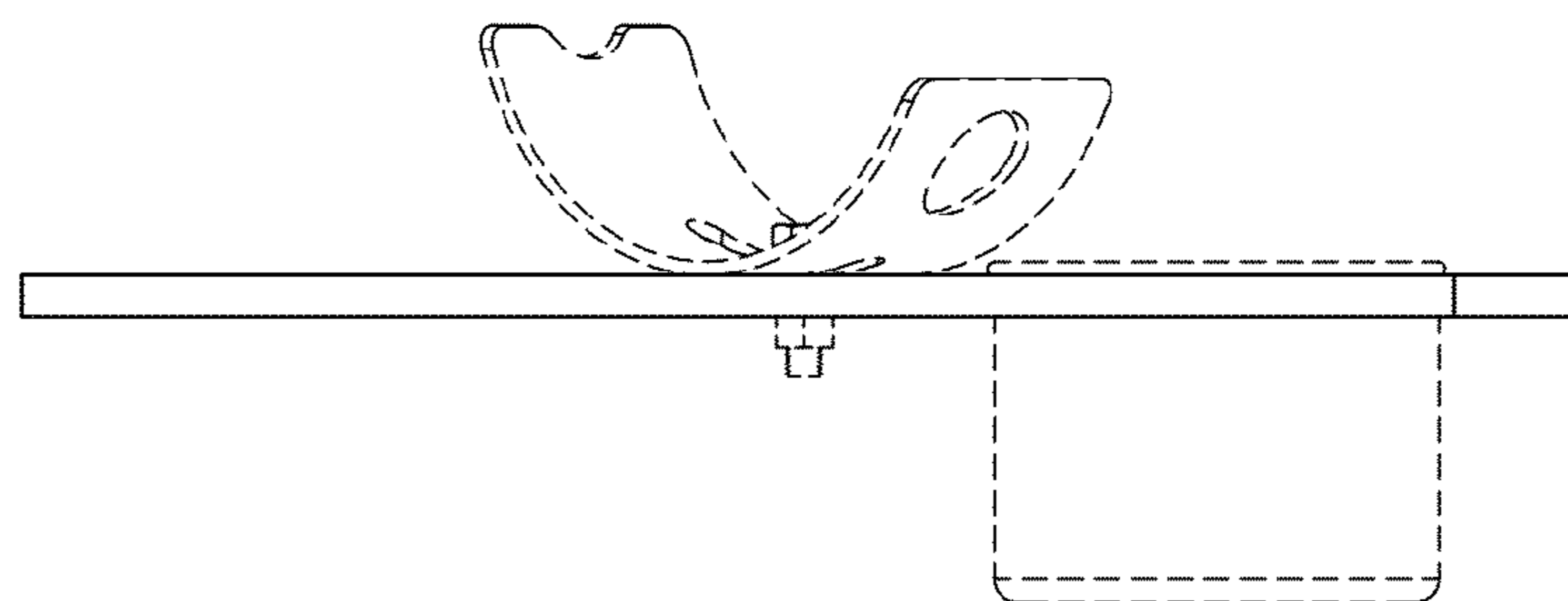


FIG. 8

