



US00D736341S

(12) **United States Design Patent**  
**Lieberwirth et al.**

(10) **Patent No.:** **US D736,341 S**  
(45) **Date of Patent:** **\*\* Aug. 11, 2015**

(54) **INSECT TRAP BASE**

**DESCRIPTION**

- (71) Applicant: **Arthropod Biosciences, LLC**,  
Marlborough, MA (US)
- (72) Inventors: **Lars Lieberwirth**, Shanghai (CN);  
**Daniel B Lazarchik**, Boston, MA (US)
- (73) Assignee: **Arthropod Biosciences, LLC**,  
Marlborough, MA (US)
- (\*\*) Term: **14 Years**
- (21) Appl. No.: **29/476,093**
- (22) Filed: **Dec. 11, 2013**

**Related U.S. Application Data**

- (63) Continuation of application No. 29/449,828, filed on  
Mar. 15, 2013, now abandoned.
- (51) **LOC (10) Cl.** ..... **22-06**
- (52) **U.S. Cl.**  
USPC ..... **D22/122**
- (58) **Field of Classification Search**  
USPC ..... D22/119–124; 43/98, 107, 112–114,  
43/129, 123.1, 137, 139; 340/384.2, 552,  
340/556, 573.2, 693.5  
See application file for complete search history.

(56) **References Cited**

**U.S. PATENT DOCUMENTS**

2,307,163	A *	1/1943	Shea	.....	43/112
D282,390	S *	1/1986	Ford et al.	.....	D22/119
4,709,502	A *	12/1987	Bierman	.....	43/112
D457,591	S *	5/2002	Christianson et al.	.....	D22/119
6,392,549	B1 *	5/2002	Wu	.....	340/573.2
D467,295	S *	12/2002	Andrews et al.	.....	D22/122
6,886,292	B2 *	5/2005	Studer et al.	.....	43/113
8,099,900	B2 *	1/2012	Rivera	.....	43/98
8,109,036	B1 *	2/2012	Wilbanks	.....	43/112

\* cited by examiner

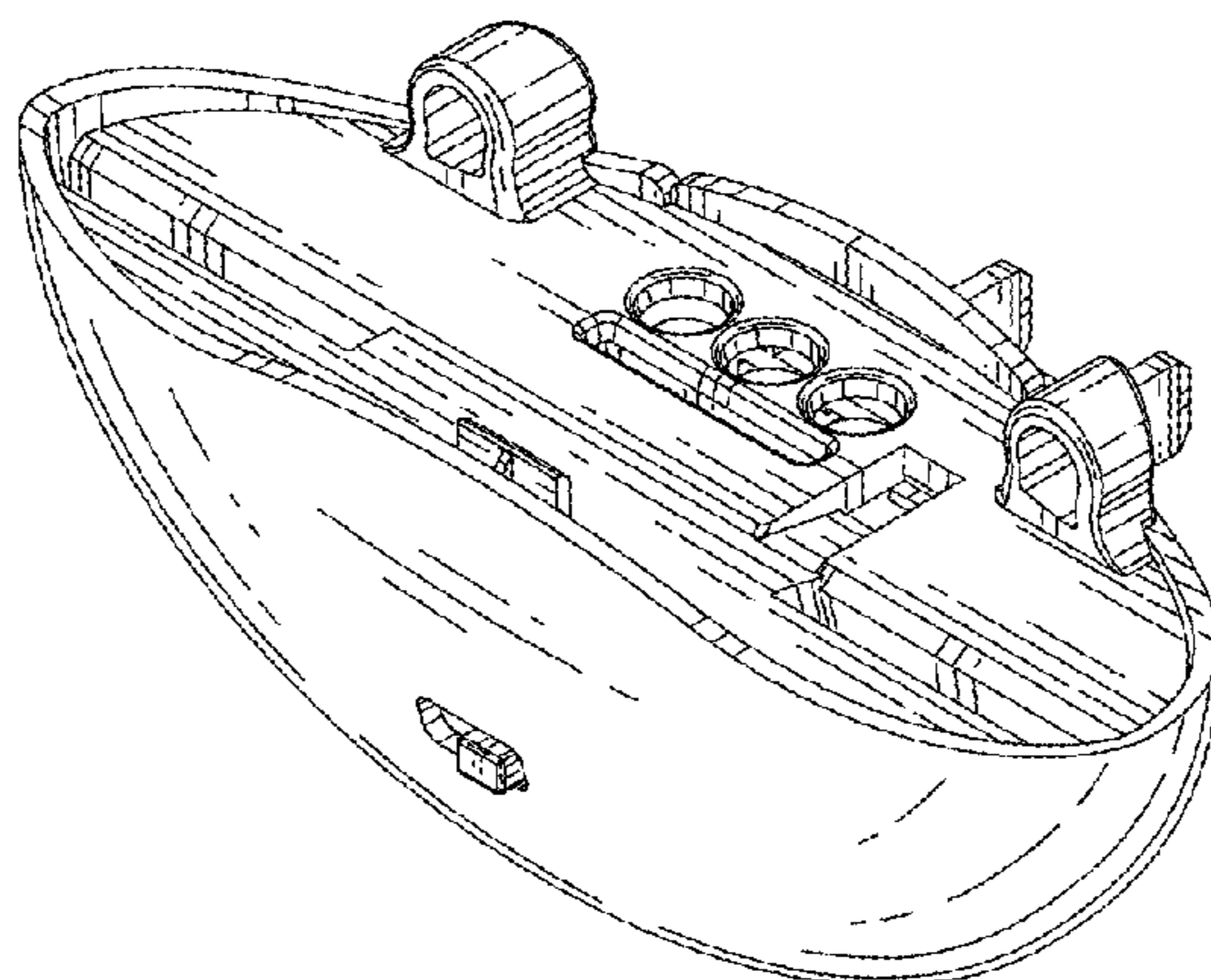
*Primary Examiner* — Catheri Oliver-Garcia  
(74) *Attorney, Agent, or Firm* — Adele C. Noon

(57) **CLAIM**

The ornamental design for an insect trap base, as shown and described.

FIG. 1 is a front perspective view of a first embodiment of an ornamental design for an insect trap base.  
 FIG. 2 is a rear perspective view of the first embodiment thereof;  
 FIG. 3 is a rear view of the first embodiment thereof;  
 FIG. 4 is a front view of the first embodiment thereof;  
 FIG. 5 is a first side view of the first embodiment thereof;  
 FIG. 6 is a second side view of the first embodiment thereof;  
 FIG. 7 is a top view of the first embodiment thereof; and  
 FIG. 8 is a bottom view of the first embodiment thereof.  
 FIG. 9 is a front perspective view of a second embodiment of an ornamental design for an insect trap base;  
 FIG. 10 is a rear perspective view of the second embodiment thereof;  
 FIG. 11 is a rear view of the second embodiment thereof;  
 FIG. 12 is a front view of the second embodiment thereof;  
 FIG. 13 is a first side view of the second embodiment thereof;  
 FIG. 14 is a second side view of the second embodiment thereof;  
 FIG. 15 is a top view of the second embodiment thereof; and  
 FIG. 16 is a bottom view of the second embodiment thereof.  
 FIG. 17 is a front perspective view of a third embodiment of an ornamental design for an insect trap base;  
 FIG. 18 is a rear perspective view of the third embodiment thereof;  
 FIG. 19 is a rear view of the third embodiment thereof;  
 FIG. 20 is a front view of the third embodiment thereof;  
 FIG. 21 is a first side view of the third embodiment thereof;  
 FIG. 22 is a second side view of the third embodiment thereof;  
 FIG. 23 is a top view of the third embodiment thereof; and  
 FIG. 24 is a bottom view of the third embodiment thereof.  
 The broken lines shown in FIGS. 1-8, that are immediately adjacent to the shaded areas, and define unshaded regions, represent the bounds of the first embodiment, while all other broken lines are directed to environment and are for illustrative purposes only; the broken lines form no part of the first embodiment.

**1 Claim, 12 Drawing Sheets**



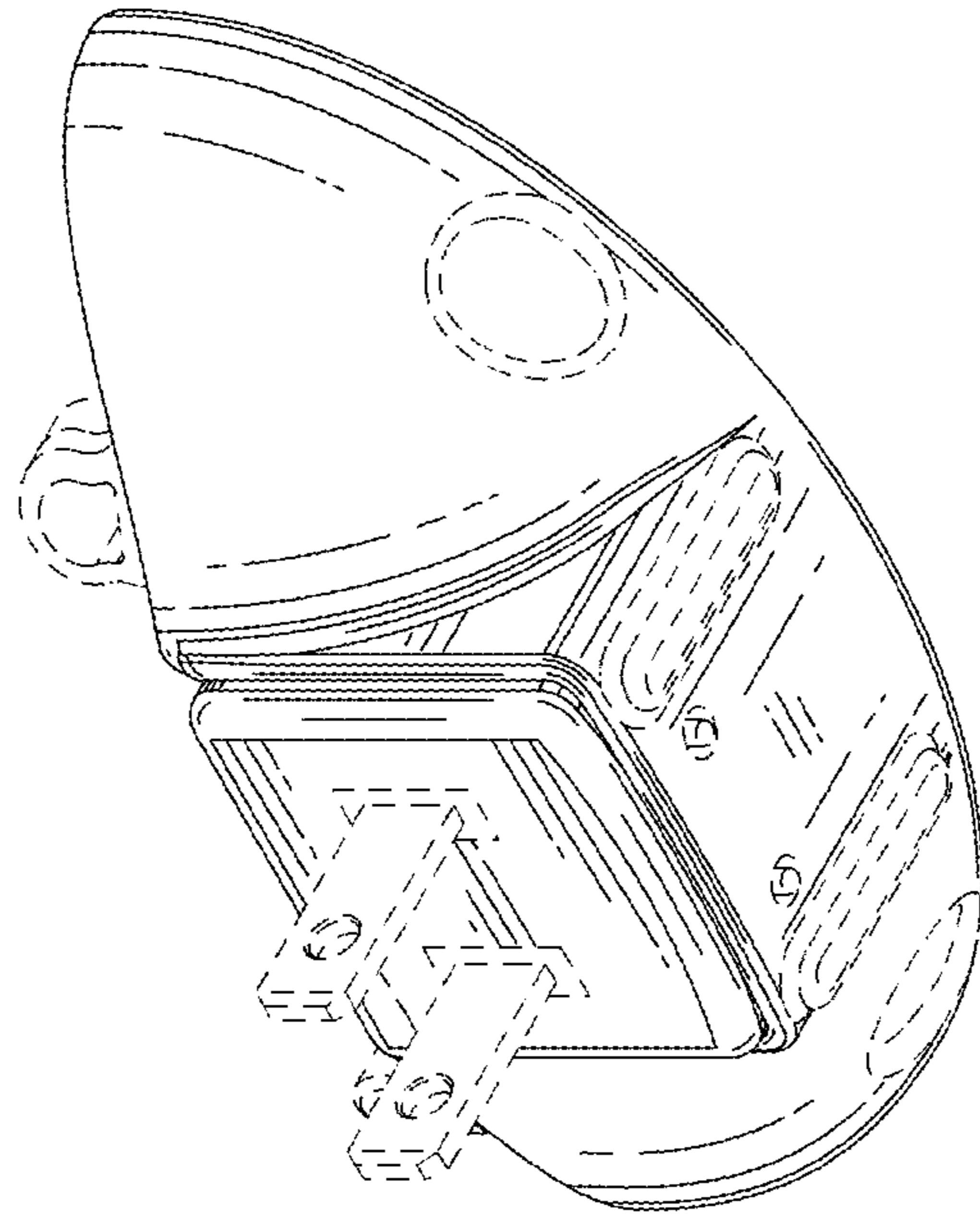


FIG. 2

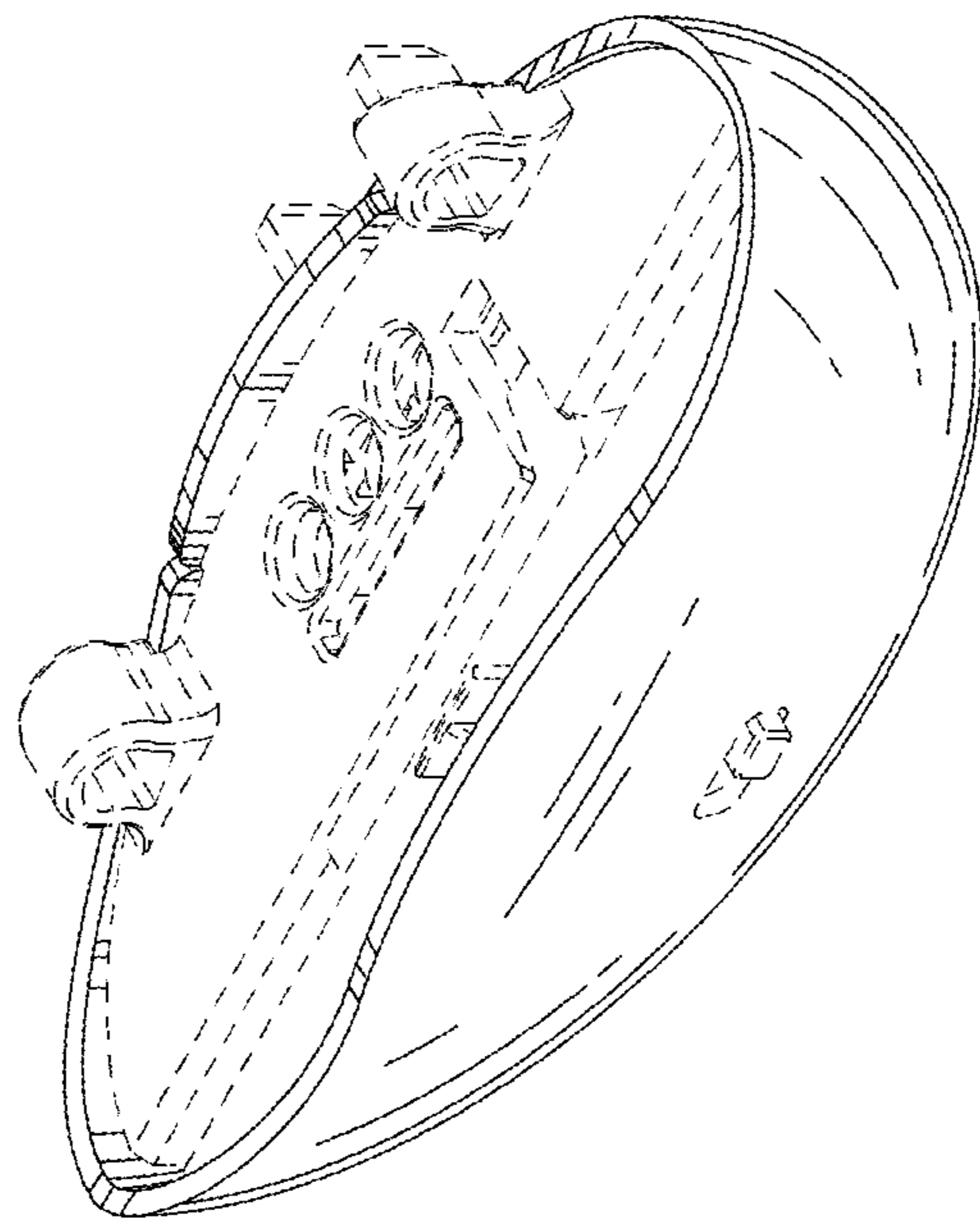


FIG. 1

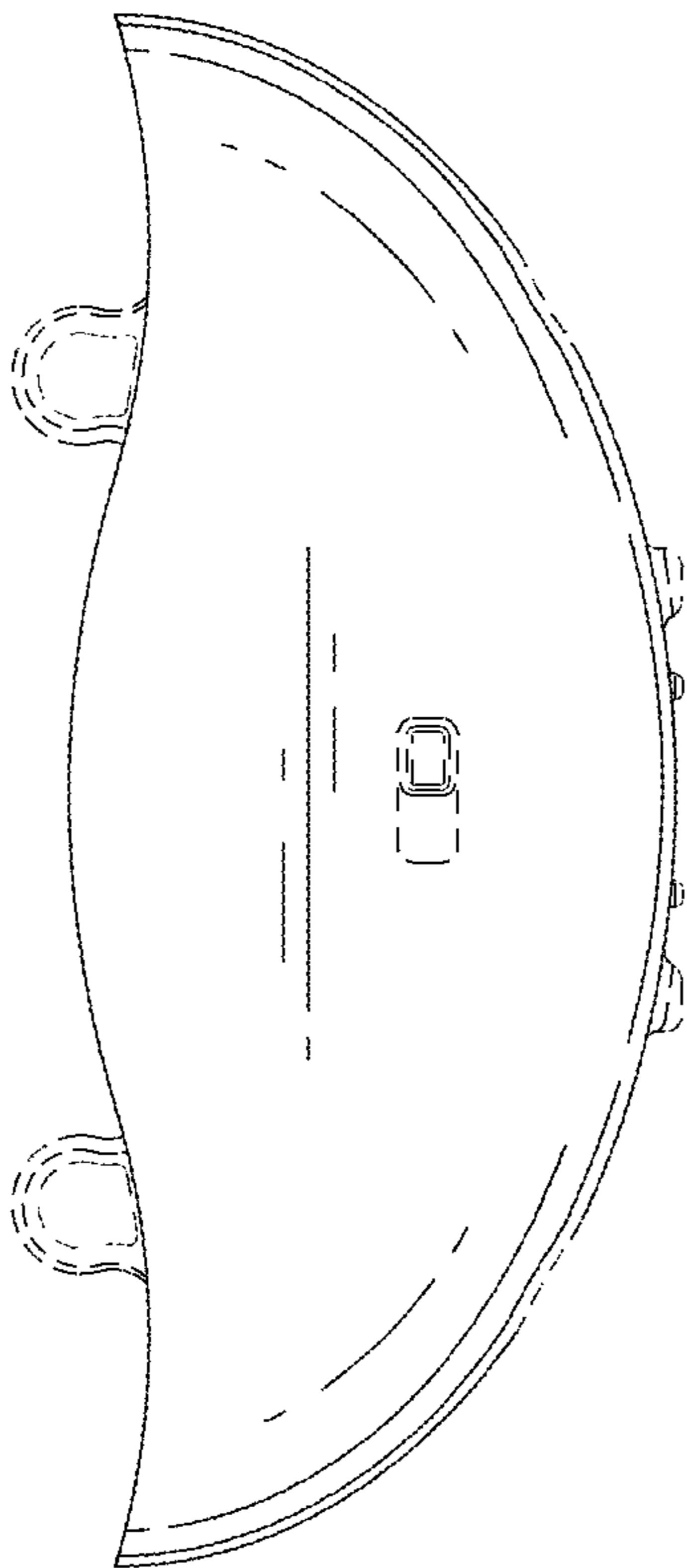


FIG. 4

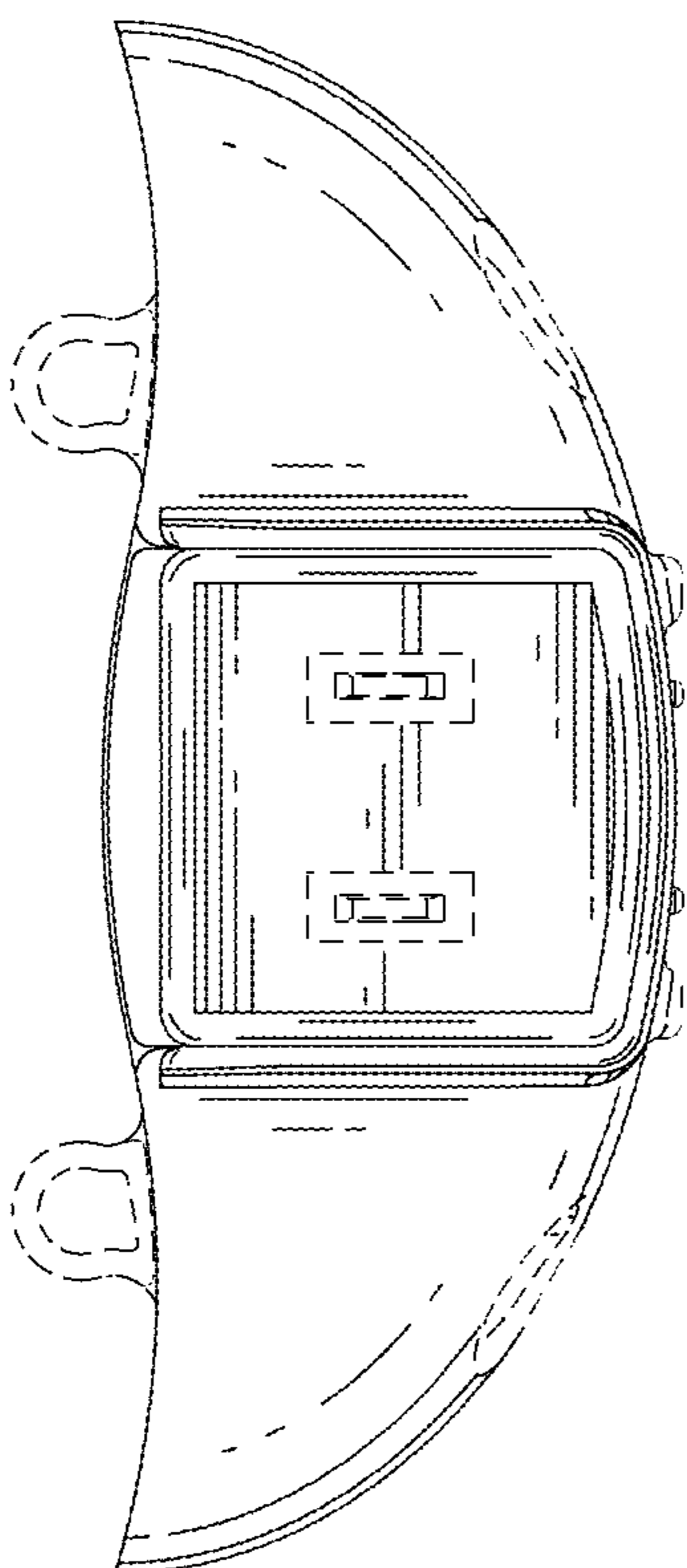


FIG. 3

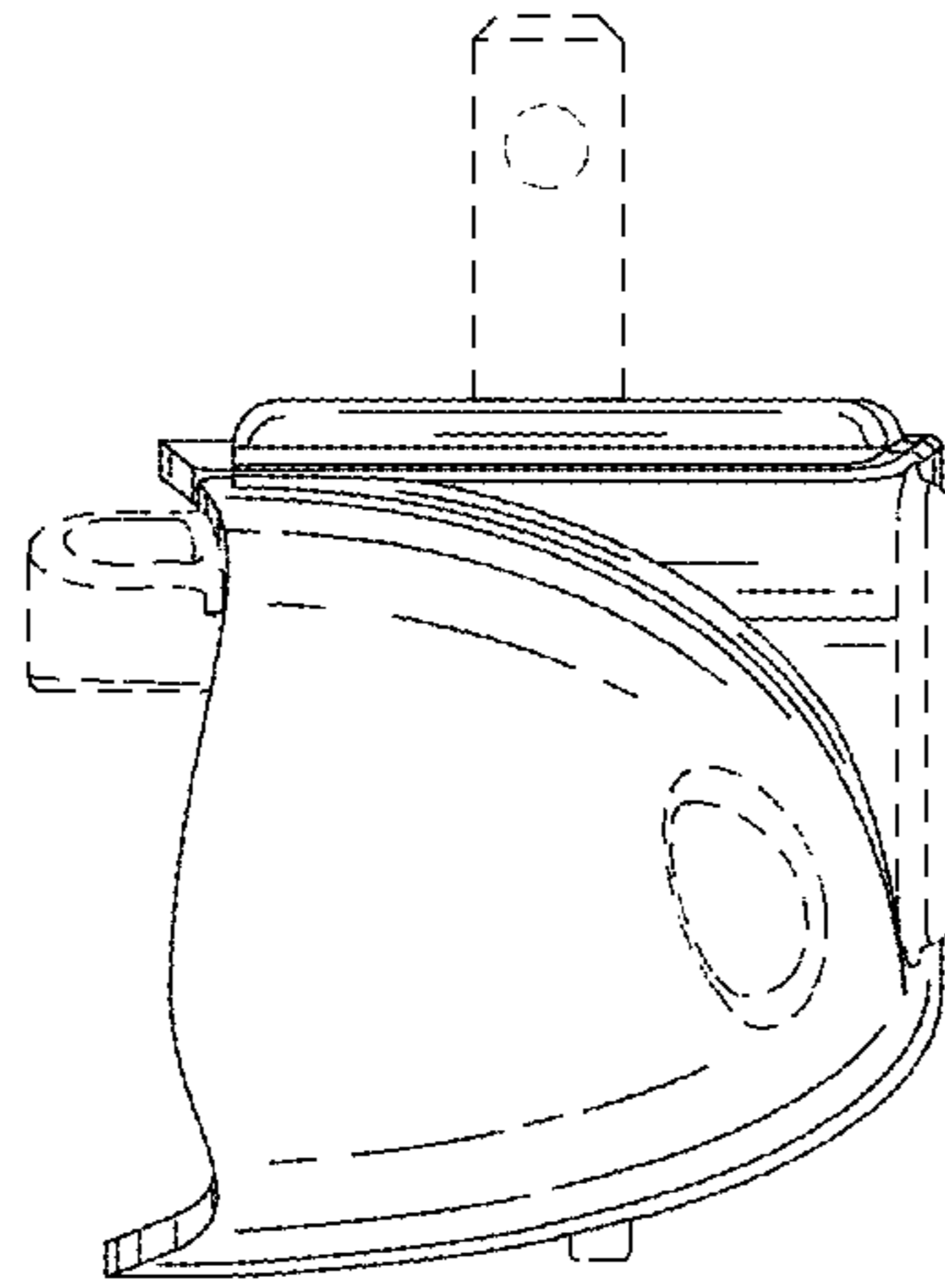


FIG. 6

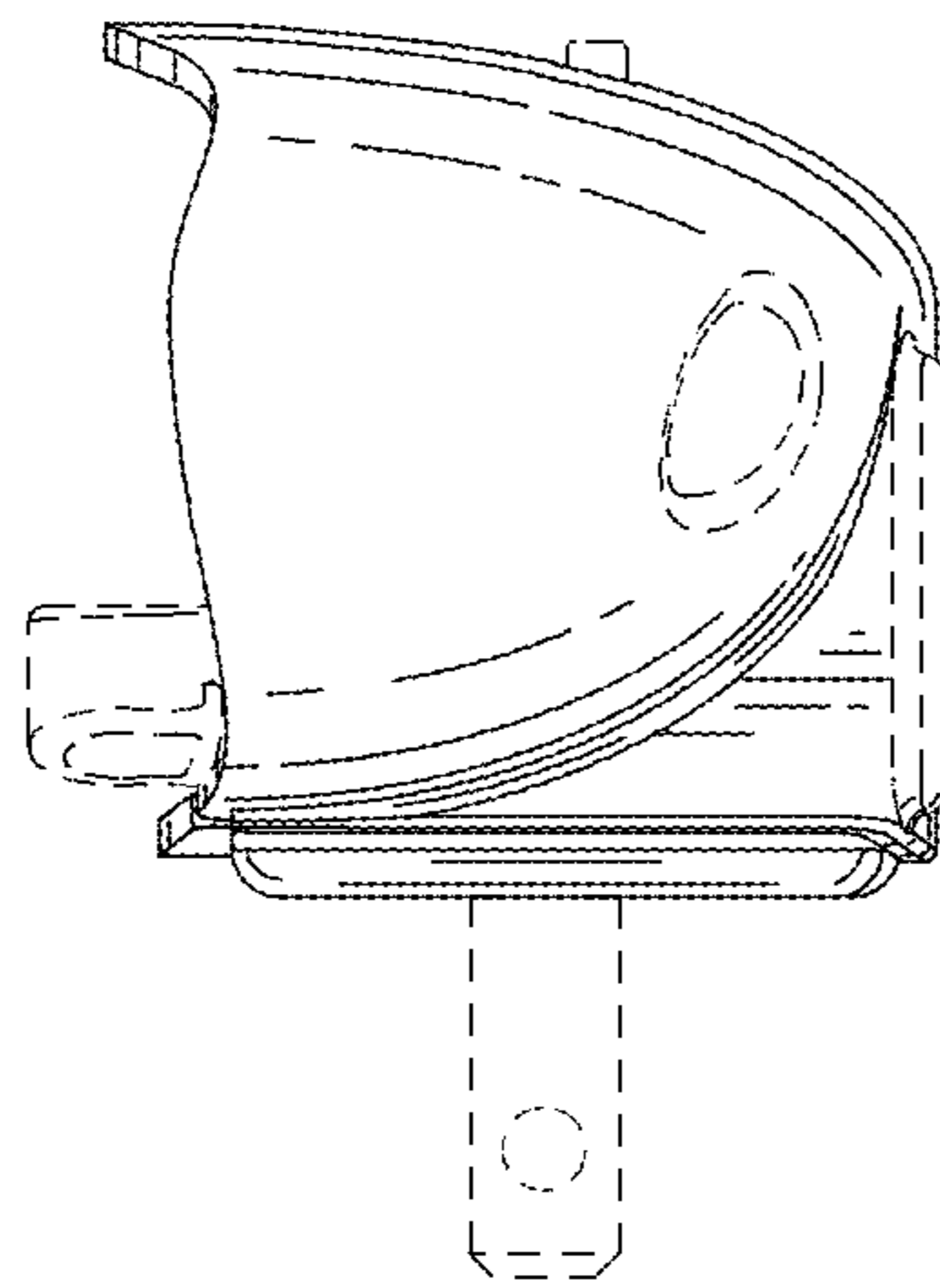


FIG. 5

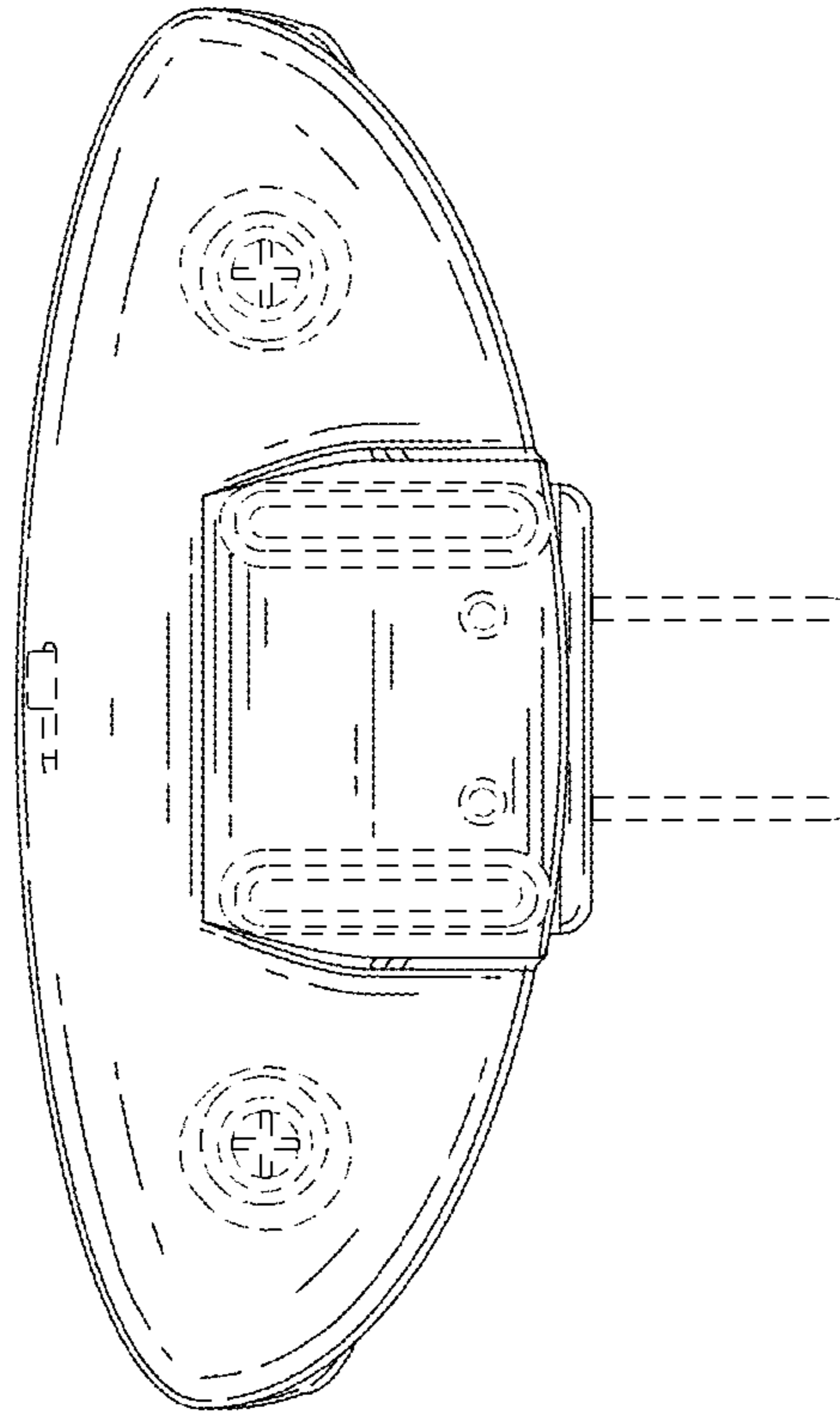


FIG. 8

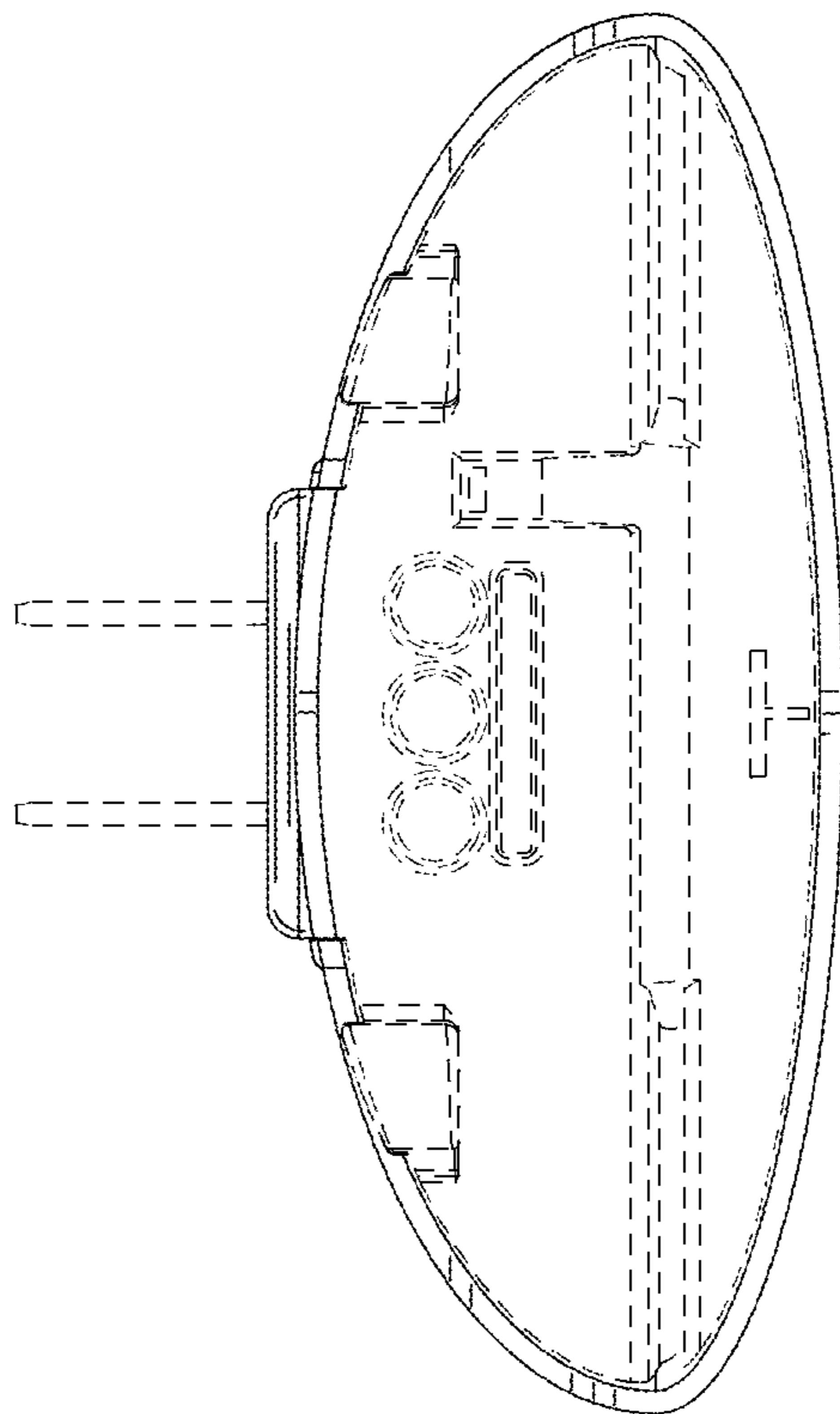


FIG. 7

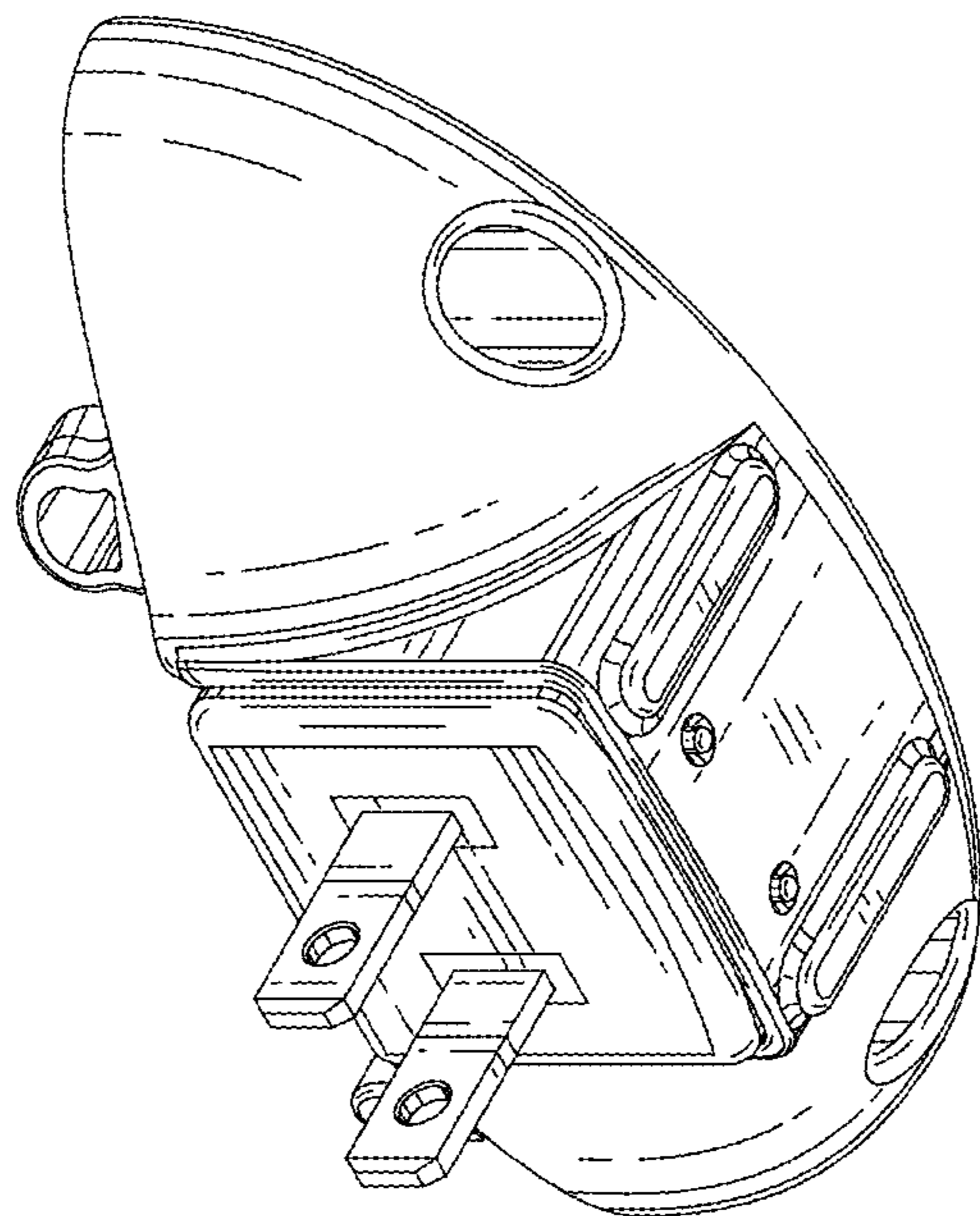


FIG. 10

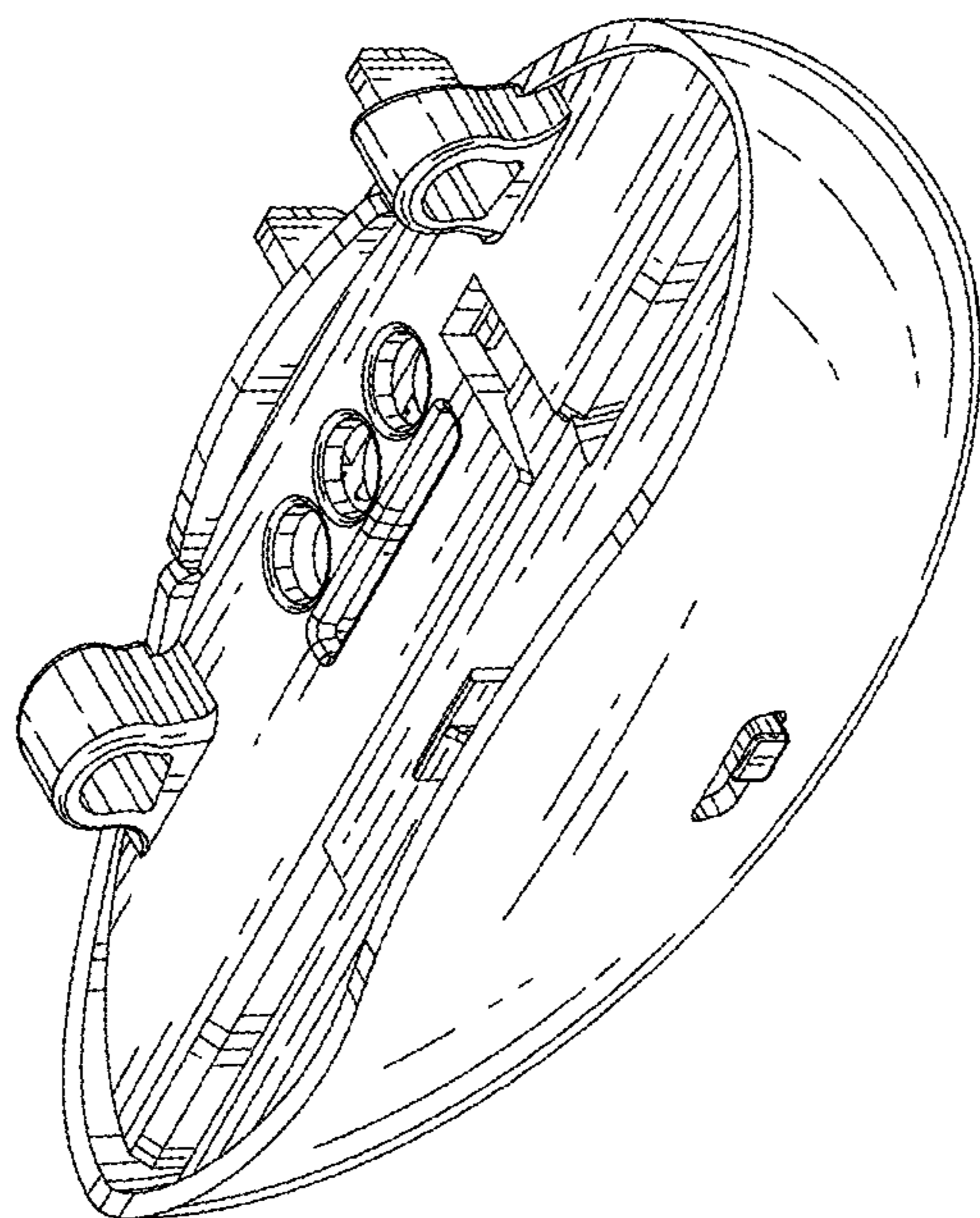


FIG. 9

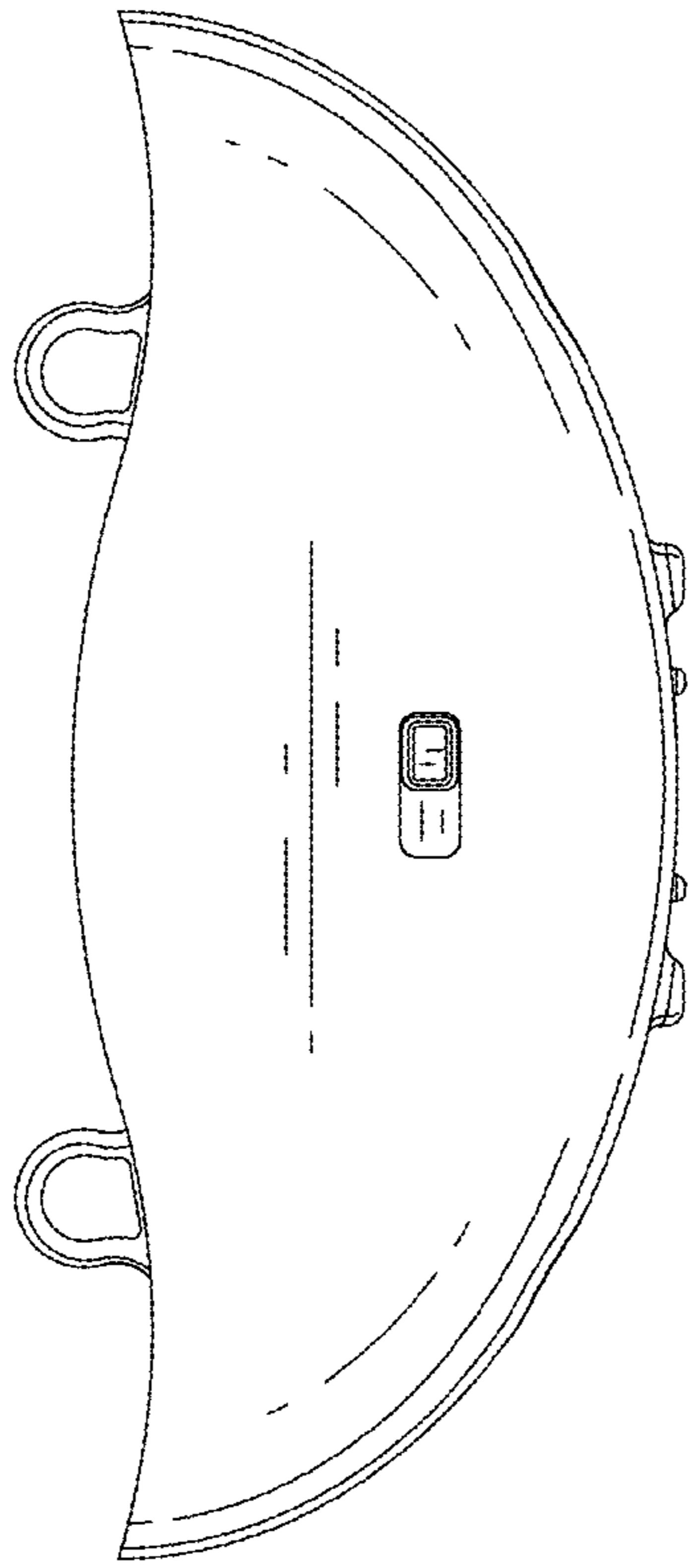


FIG. 12

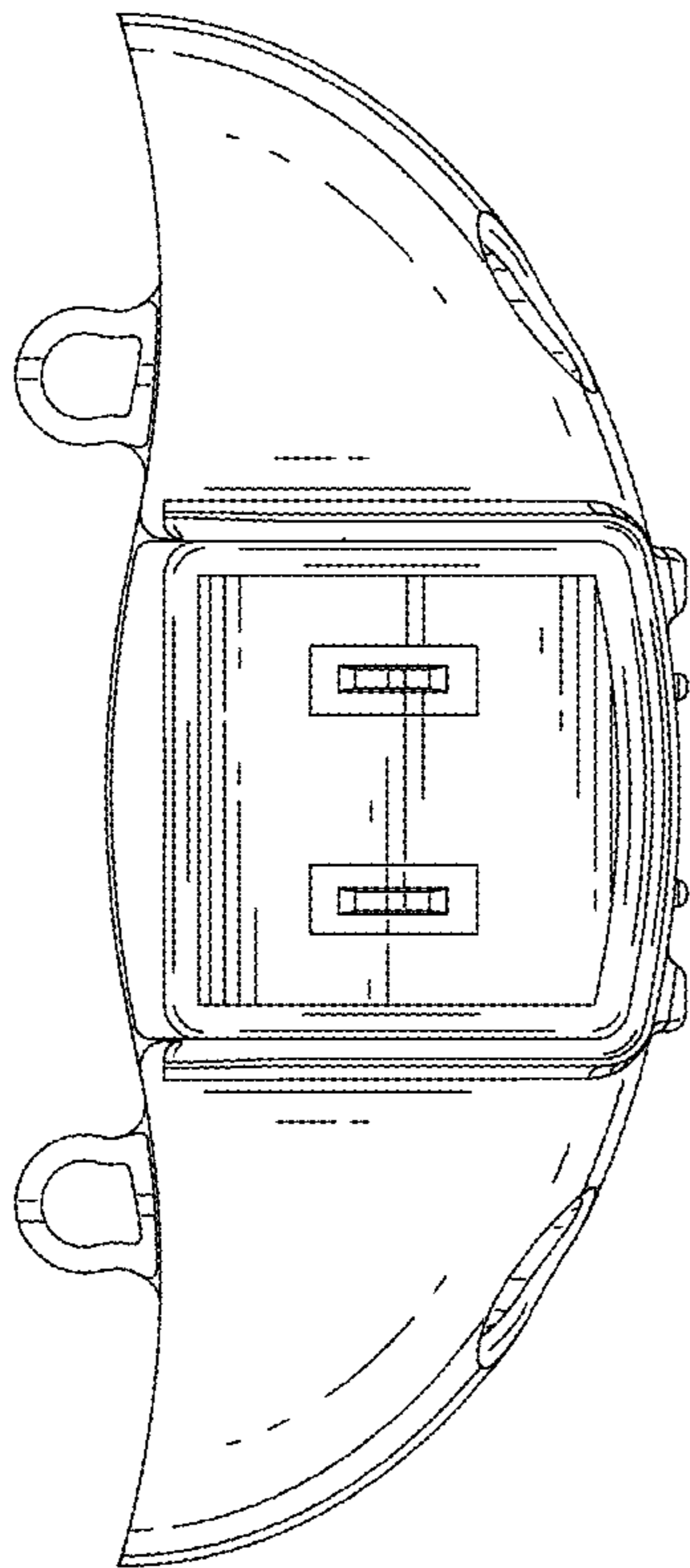


FIG. 11

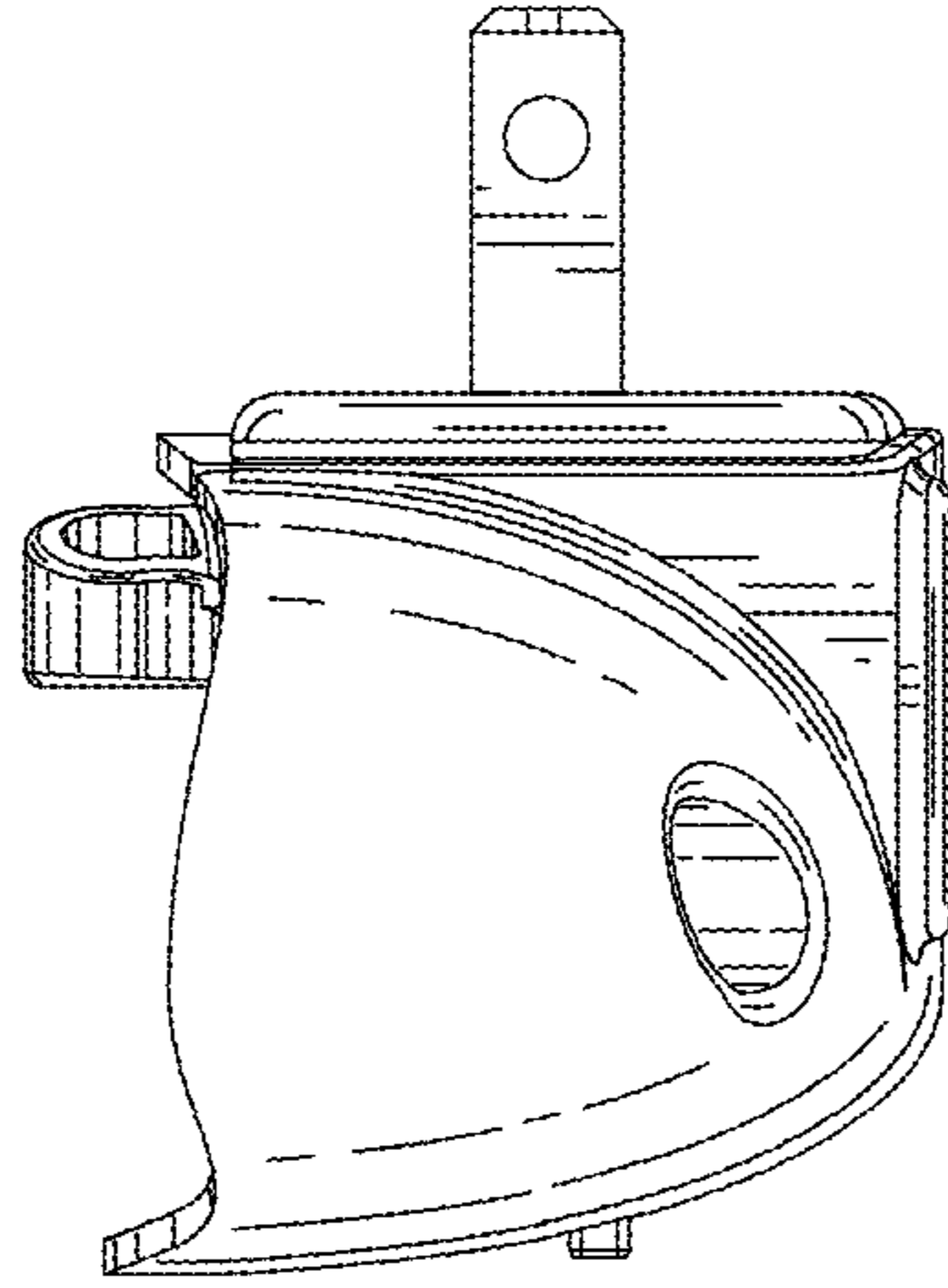


FIG. 14

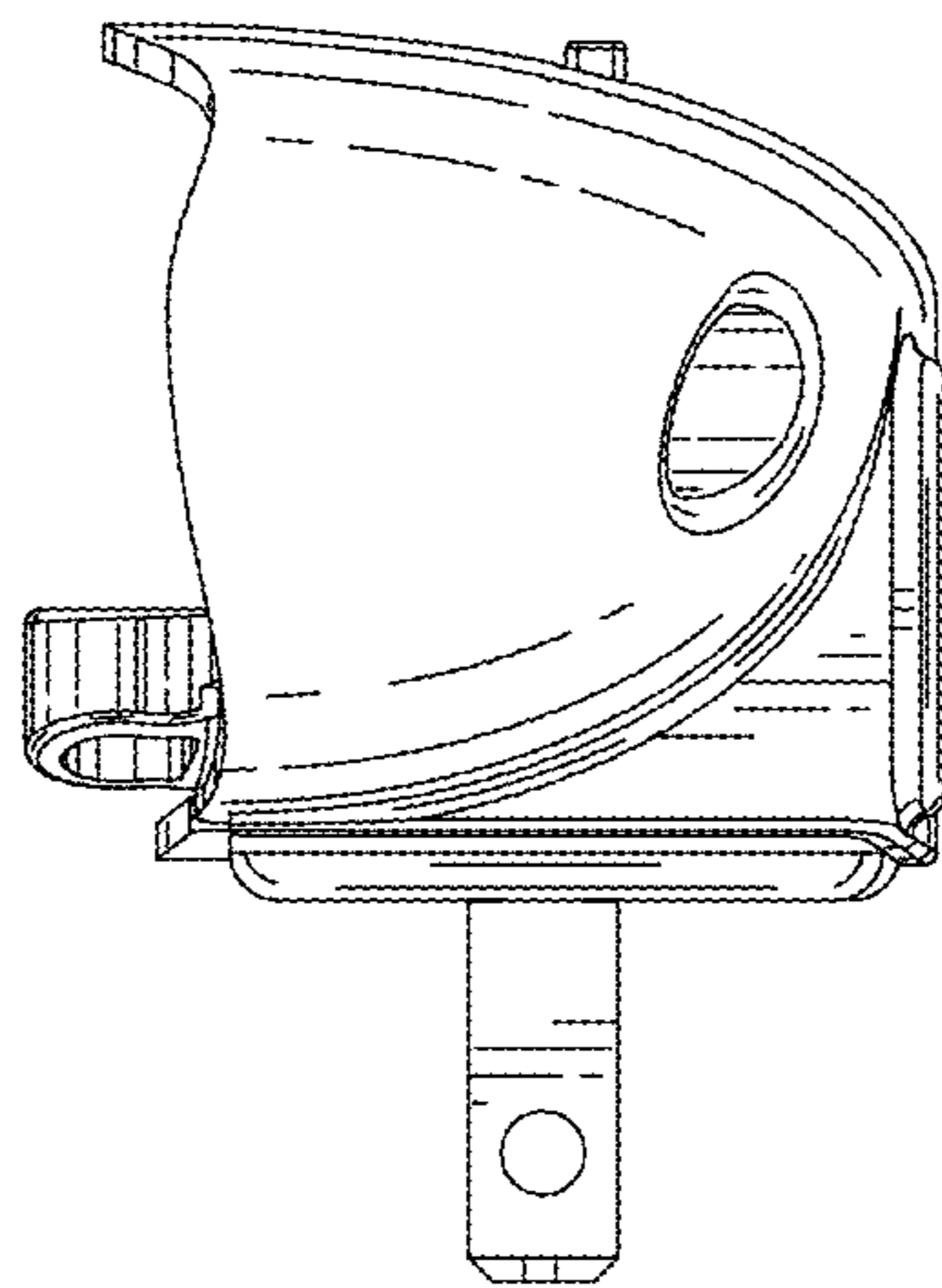


FIG. 13



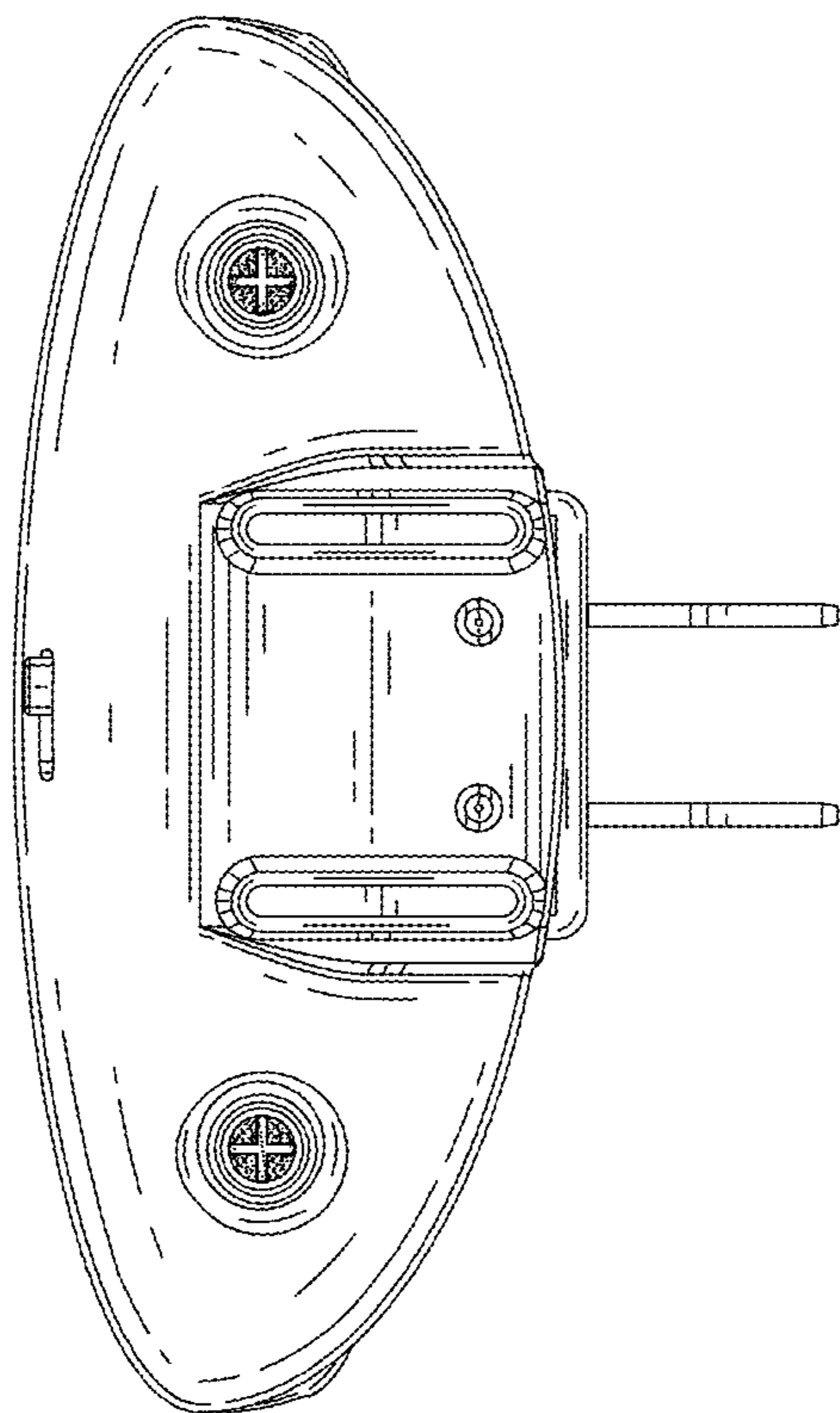


FIG. 16

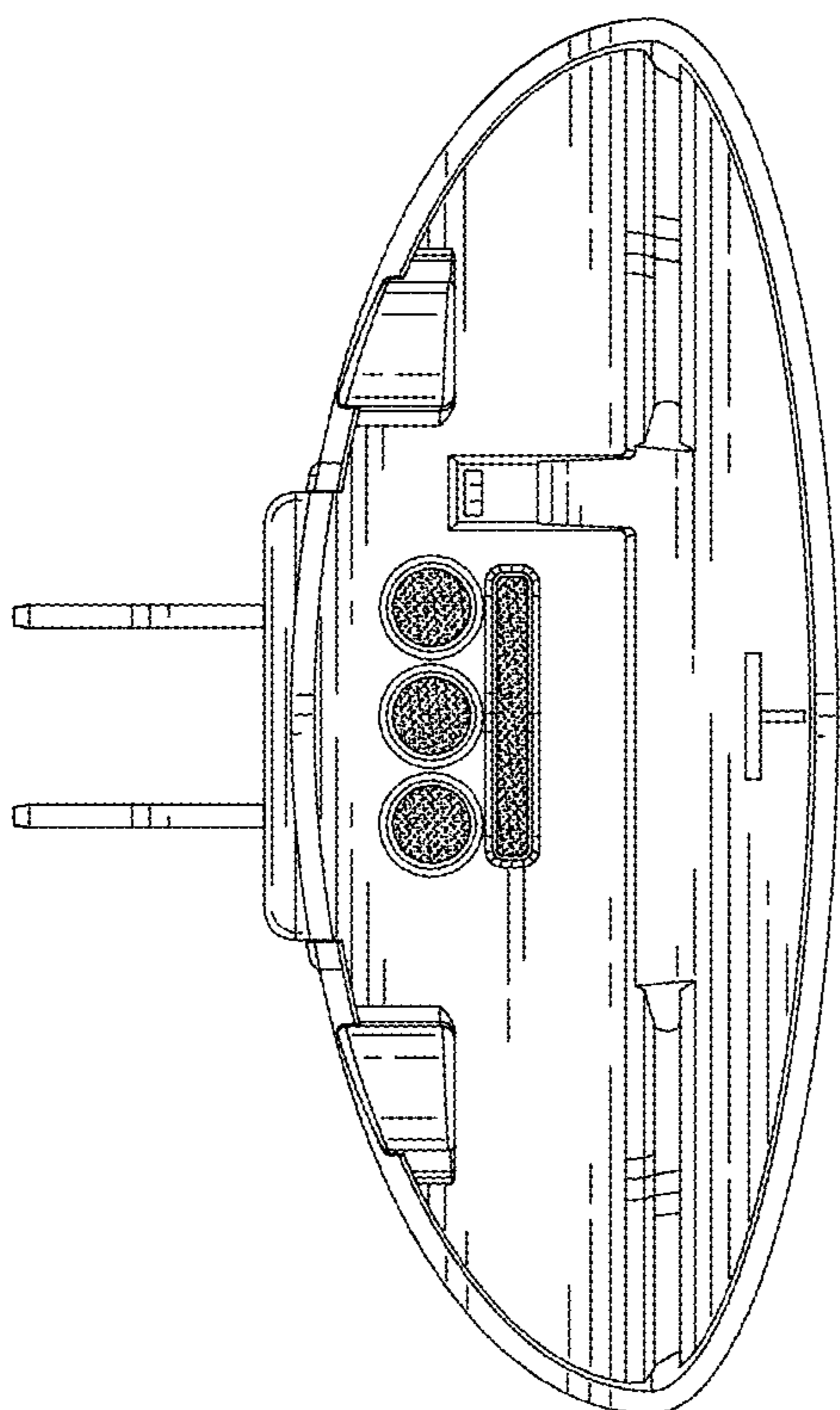


FIG. 15

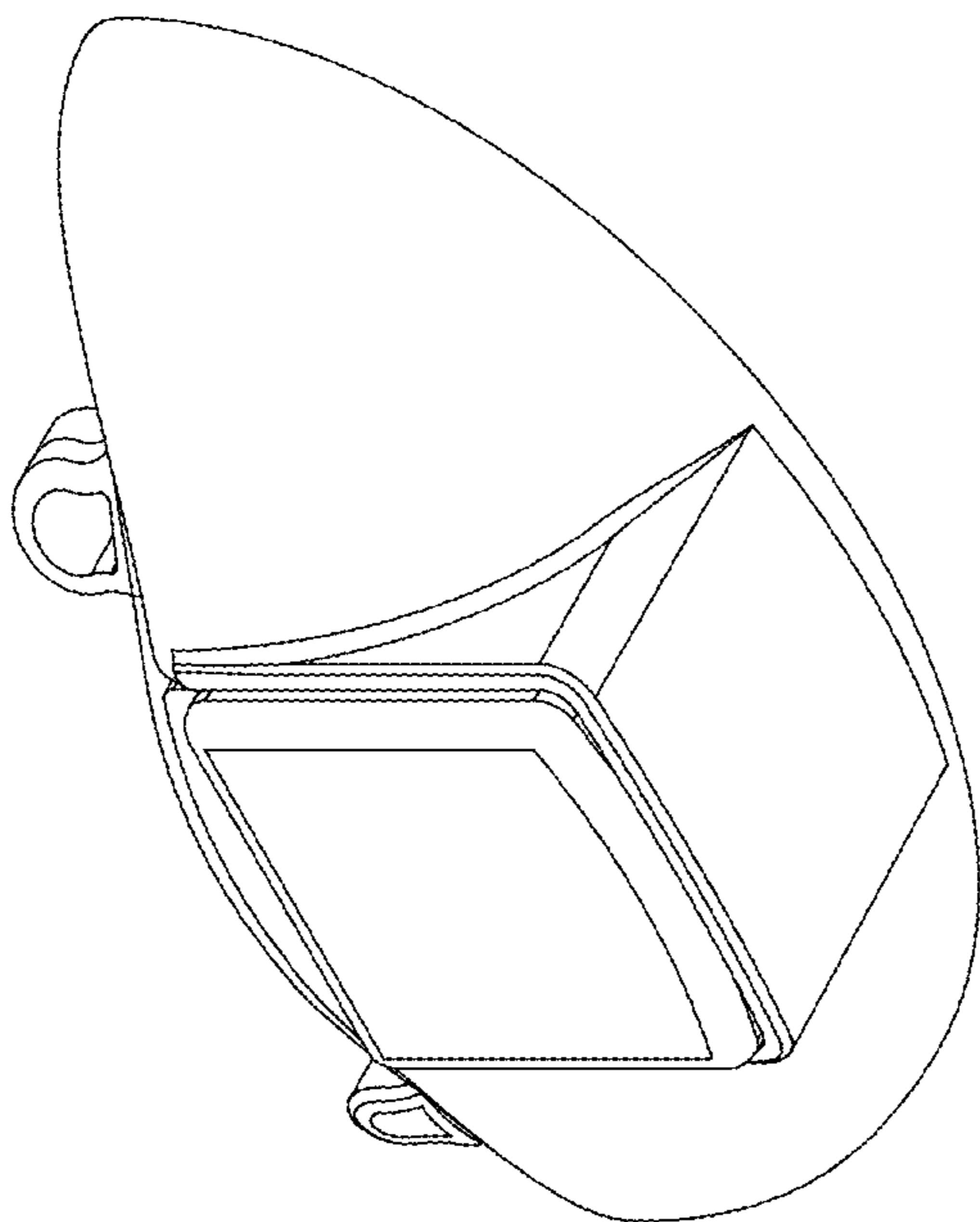


FIG. 17

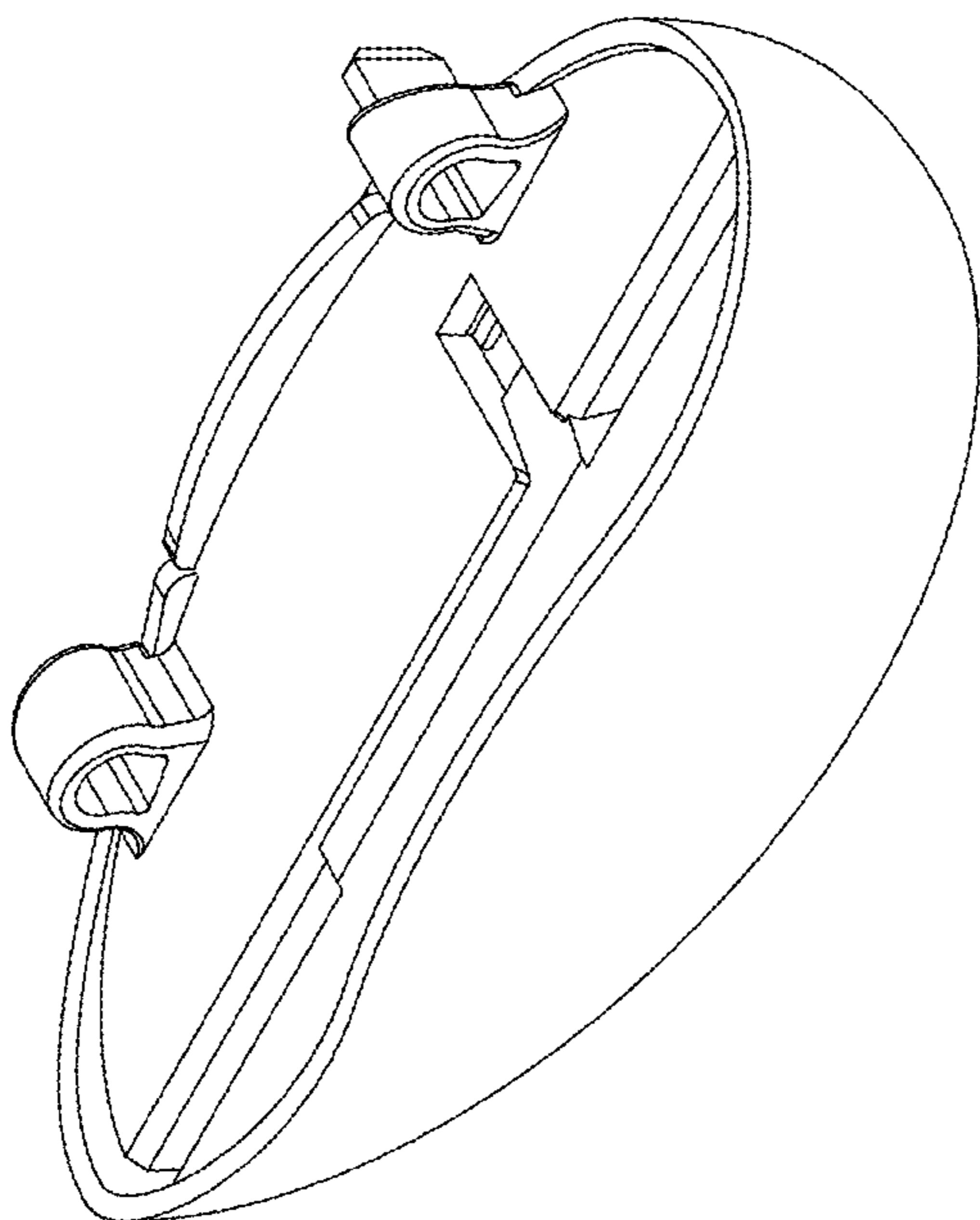


FIG. 18

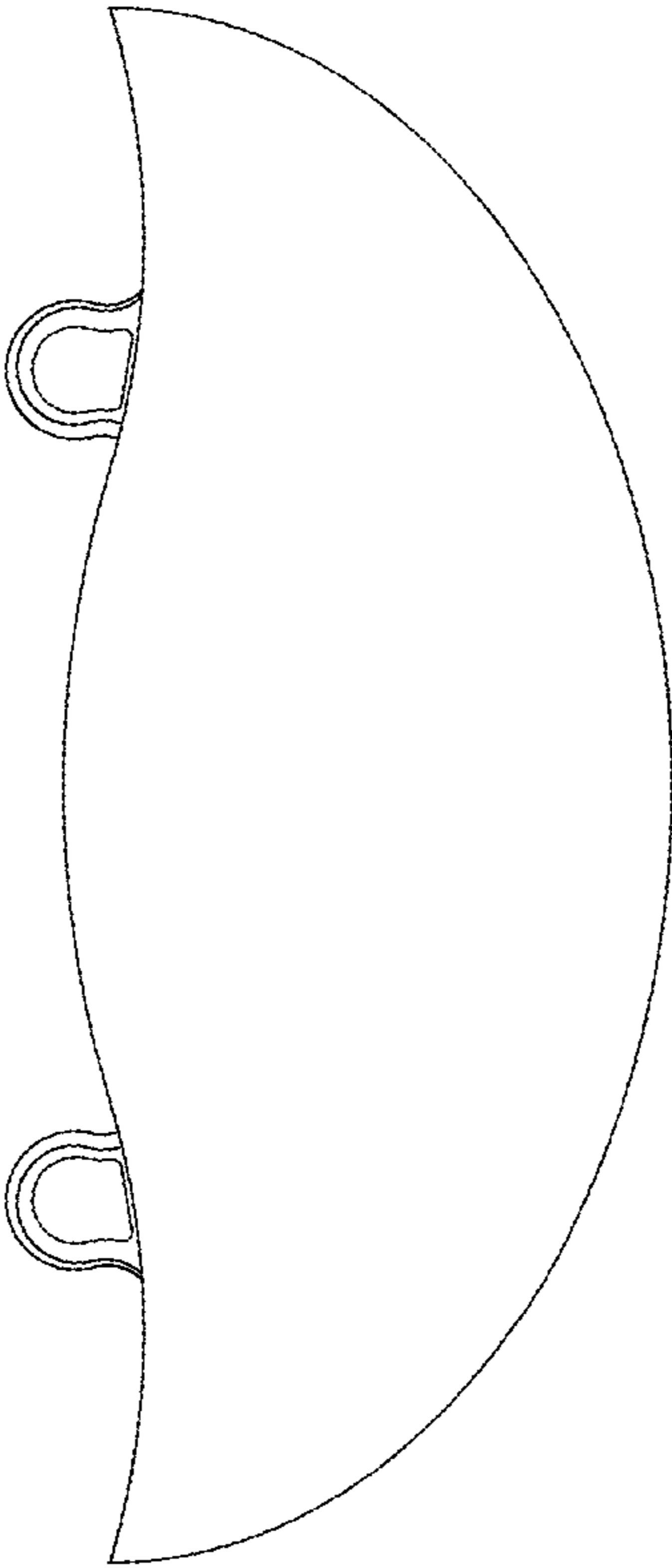


FIG. 20

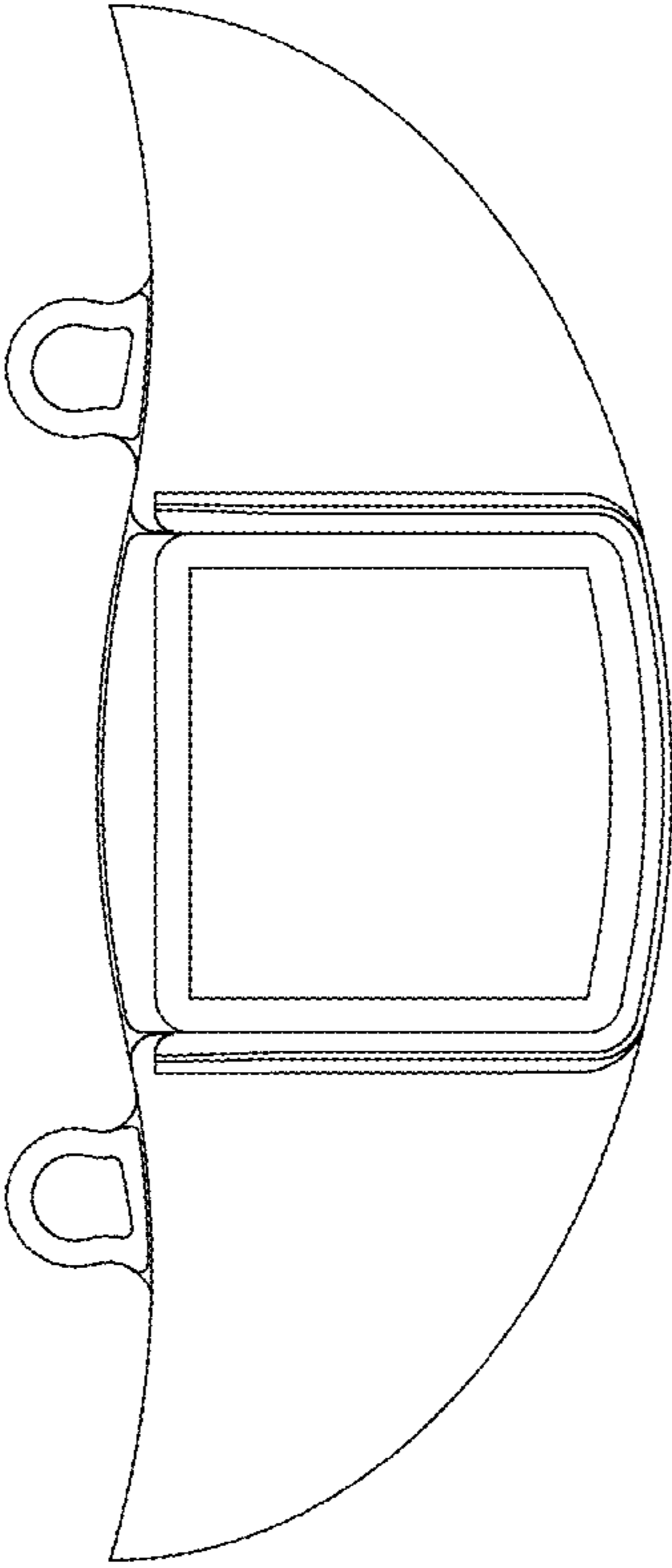


FIG. 19

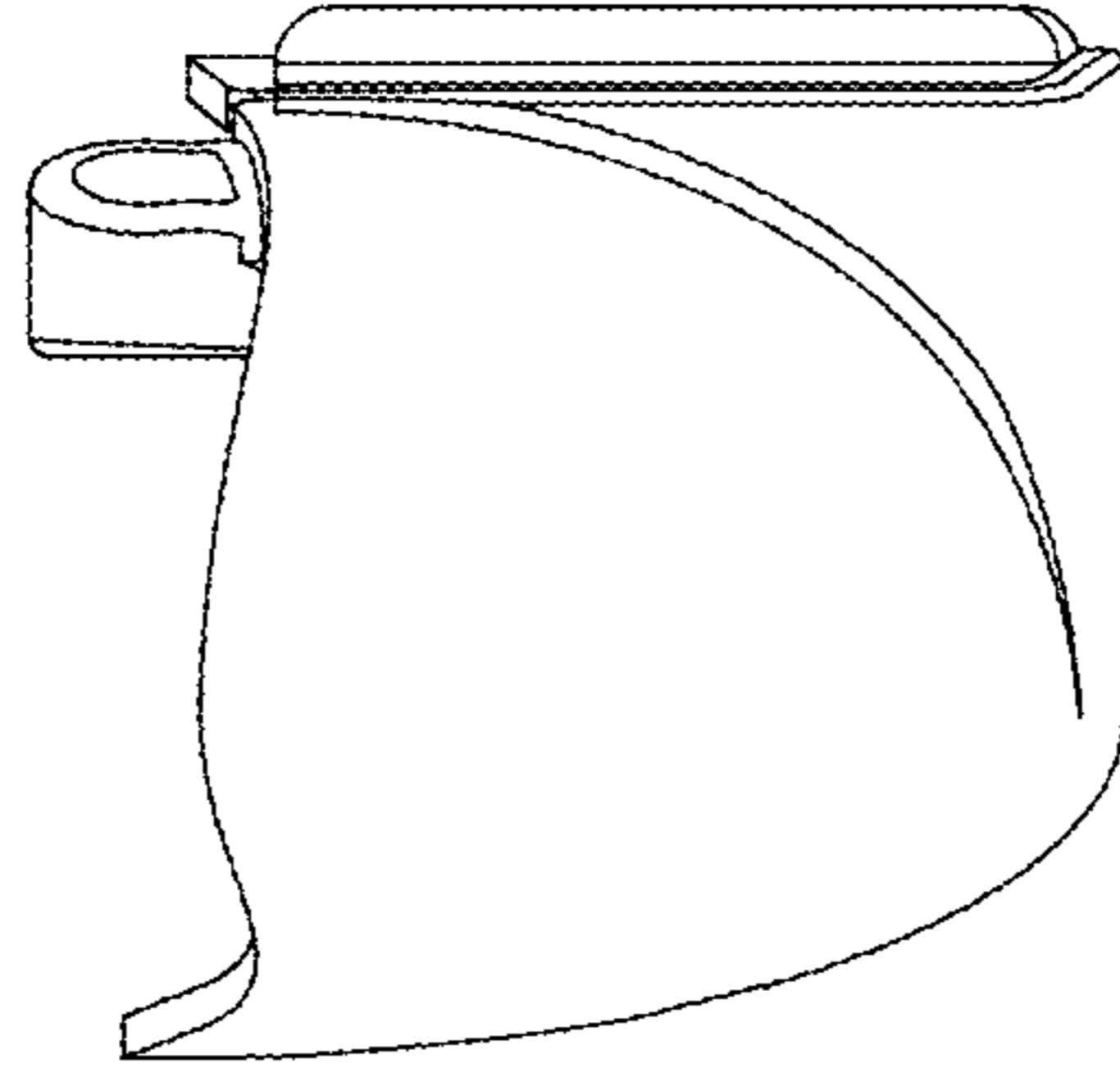


FIG. 22

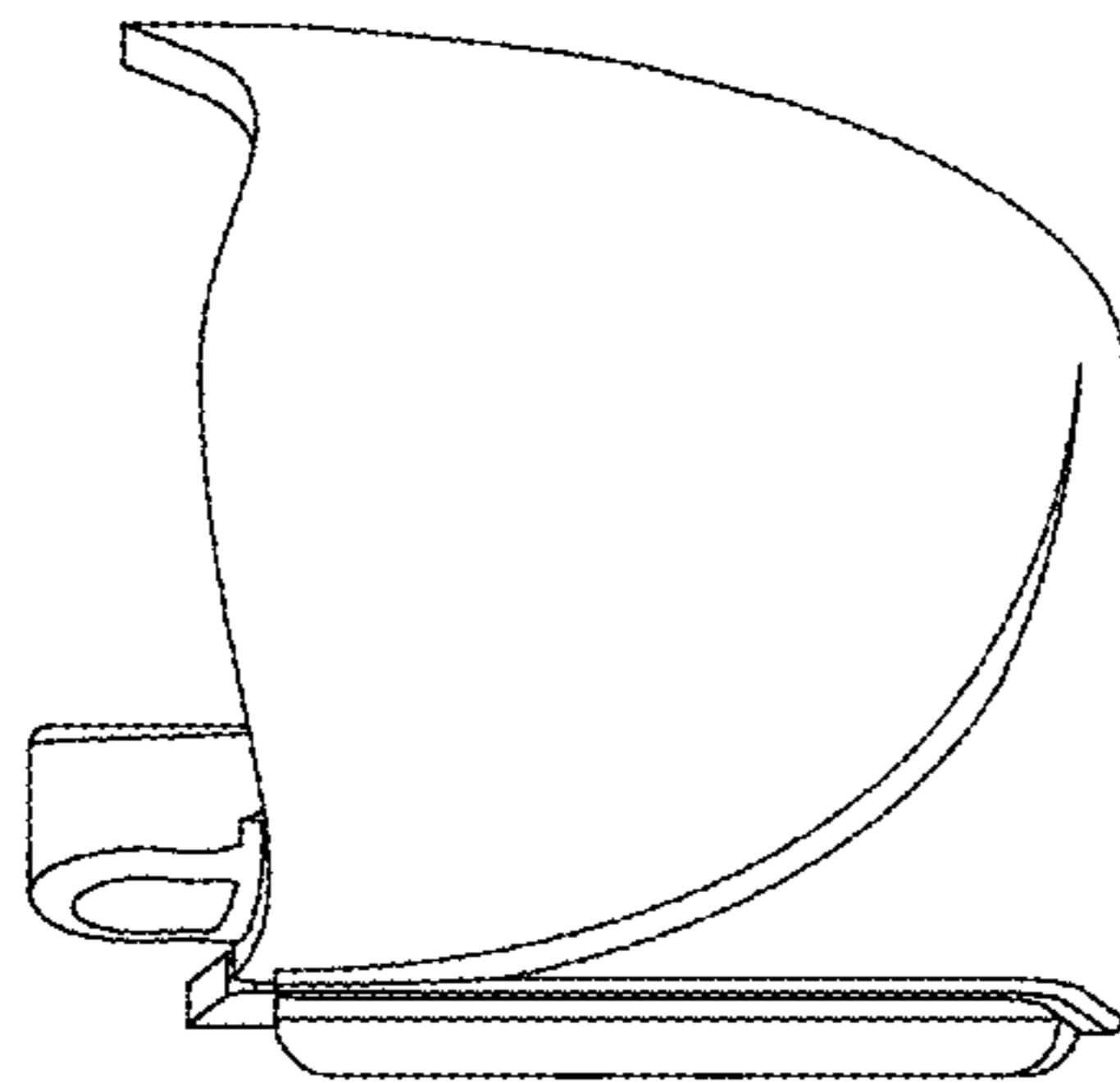


FIG. 21

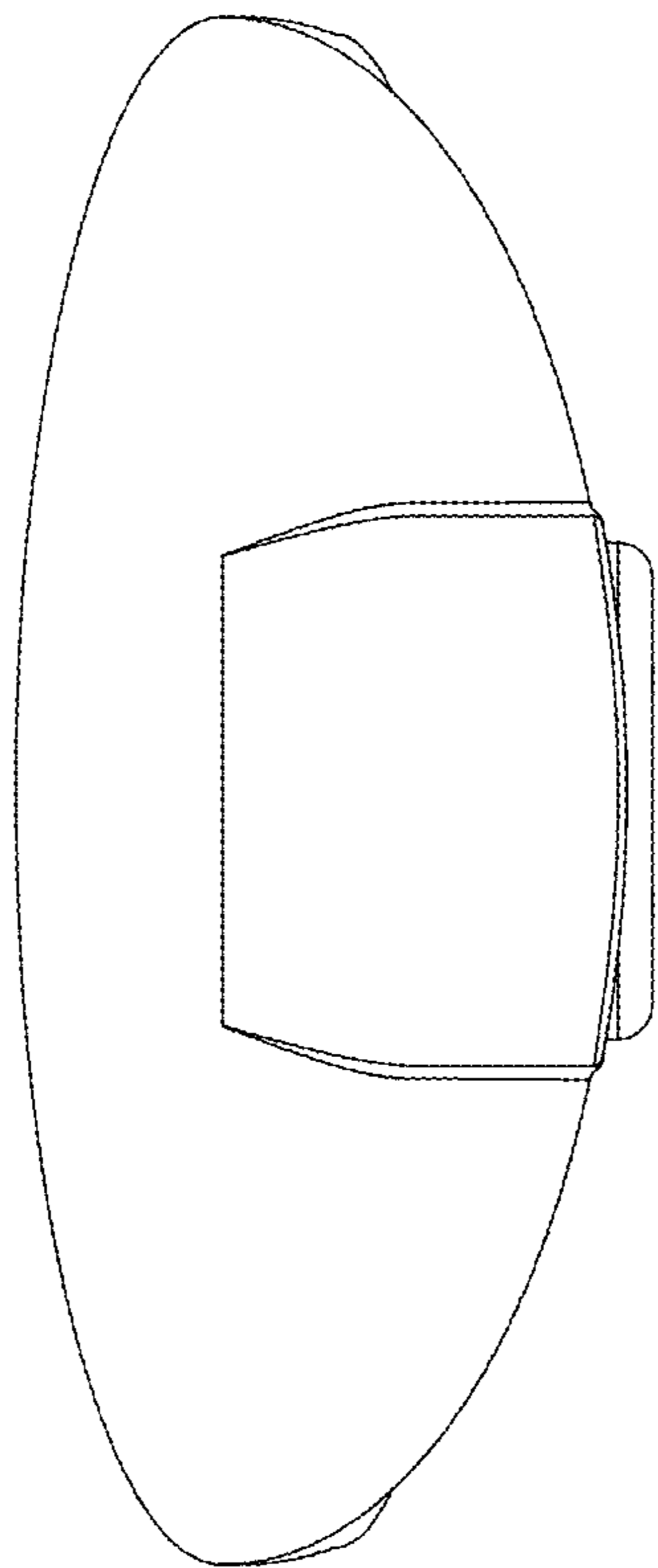


FIG. 24

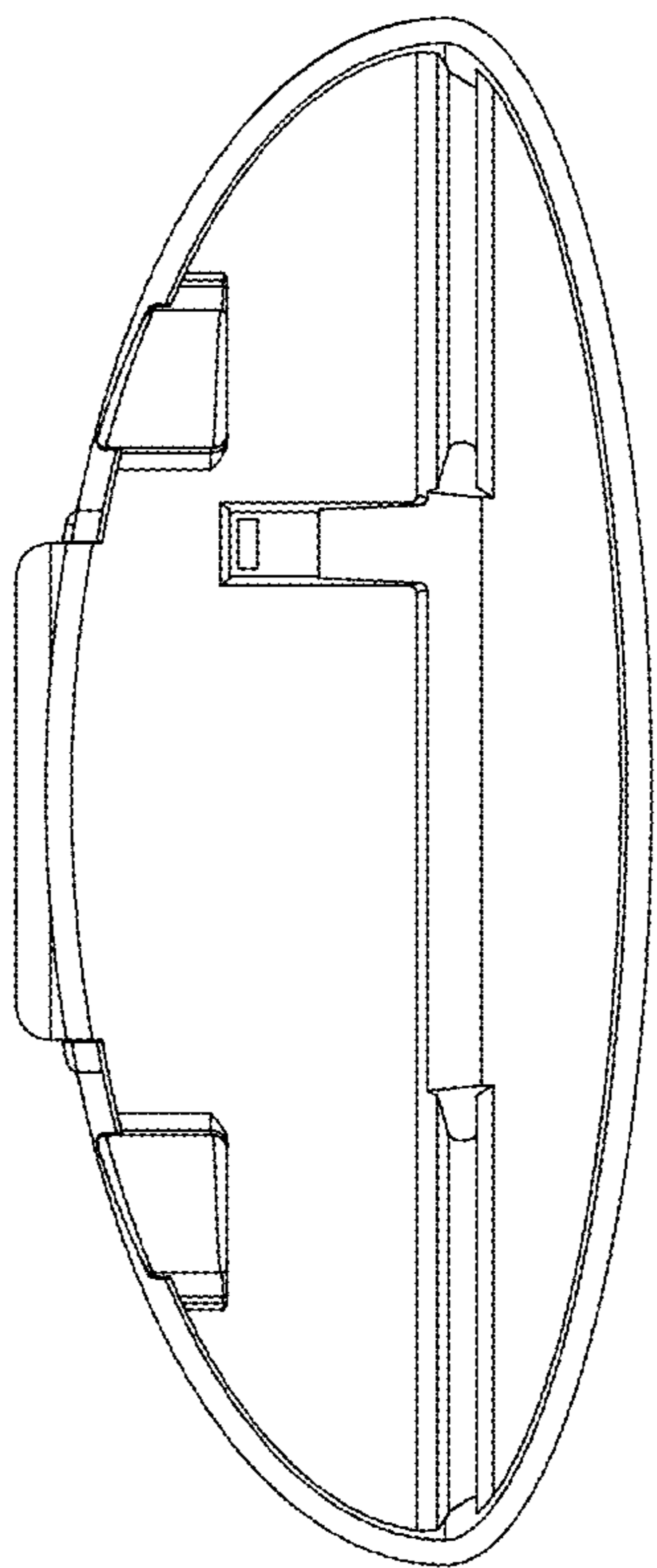


FIG. 23